



US00D812426S

(12) **United States Design Patent**
Kociolek et al.

(10) **Patent No.:** **US D812,426 S**
(45) **Date of Patent:** **** Mar. 13, 2018**

(54) **NON-POROUS WEIGHTS FOR USE IN
FERMENTING VESSELS**

(71) Applicants: **Emily S. Kociolek**, Frankfort, IL (US);
Krzysztof J. Kociolek, Frankfort, IL
(US)

(72) Inventors: **Emily S. Kociolek**, Frankfort, IL (US);
Krzysztof J. Kociolek, Frankfort, IL
(US)

(**) Term: **15 Years**

(21) Appl. No.: **29/543,477**

(22) Filed: **Oct. 25, 2015**

Related U.S. Application Data

(63) Continuation of application No. 14/523,936, filed on
Oct. 26, 2014.

(51) **LOC (11) Cl.** **07-02**

(52) **U.S. Cl.**
USPC **D7/412; D7/409**

(58) **Field of Classification Search**
USPC D6/716.1; D7/323, 332, 335-337,
D7/354-355, 359-364, 387-388, 402,
D7/407-409; D21/681; D26/24, 89
(Continued)

(56) **References Cited**

U.S. PATENT DOCUMENTS

280,308 A * 6/1883 Haney A01J 9/00
217/74
3,256,977 A * 6/1966 Pettersen B65D 81/245
206/216

(Continued)

OTHER PUBLICATIONS

Ziedrich, Linda, "Glass Weights for Small-Batch Pickling", Feb. 14,
2012. Internet-published article printed from <http://

agardenerstable.com/2012/02/14/glass-weights-for-small-batch-
pickling/> on Oct. 26, 2014. 5 pages.

(Continued)

Primary Examiner — Ricky Pham

(74) *Attorney, Agent, or Firm* — Marcia L. Doubet

(57) **CLAIM**

We claim the ornamental design for non-porous weights for
use in fermenting vessels, as shown and described.

DESCRIPTION

FIG. 1 is a perspective view of non-porous weights for use
in fermenting vessels, showing a first embodiment of our
new design as a two-sectioned weight;

FIG. 2 is a top view thereof, the bottom view being identical
thereto;

FIG. 3 is a front view thereof, the back view being identical
thereto;

FIG. 4 is a left-side view thereof, the right-side view being
identical thereto;

FIG. 5 is a view showing edge detail of a single one of the
two sections, the edge detail of the other one of the two
sections being identical thereto;

FIG. 6 is a perspective view of non-porous weights for use
in fermenting vessels, showing a second embodiment of our
new design as a four-sectioned weight;

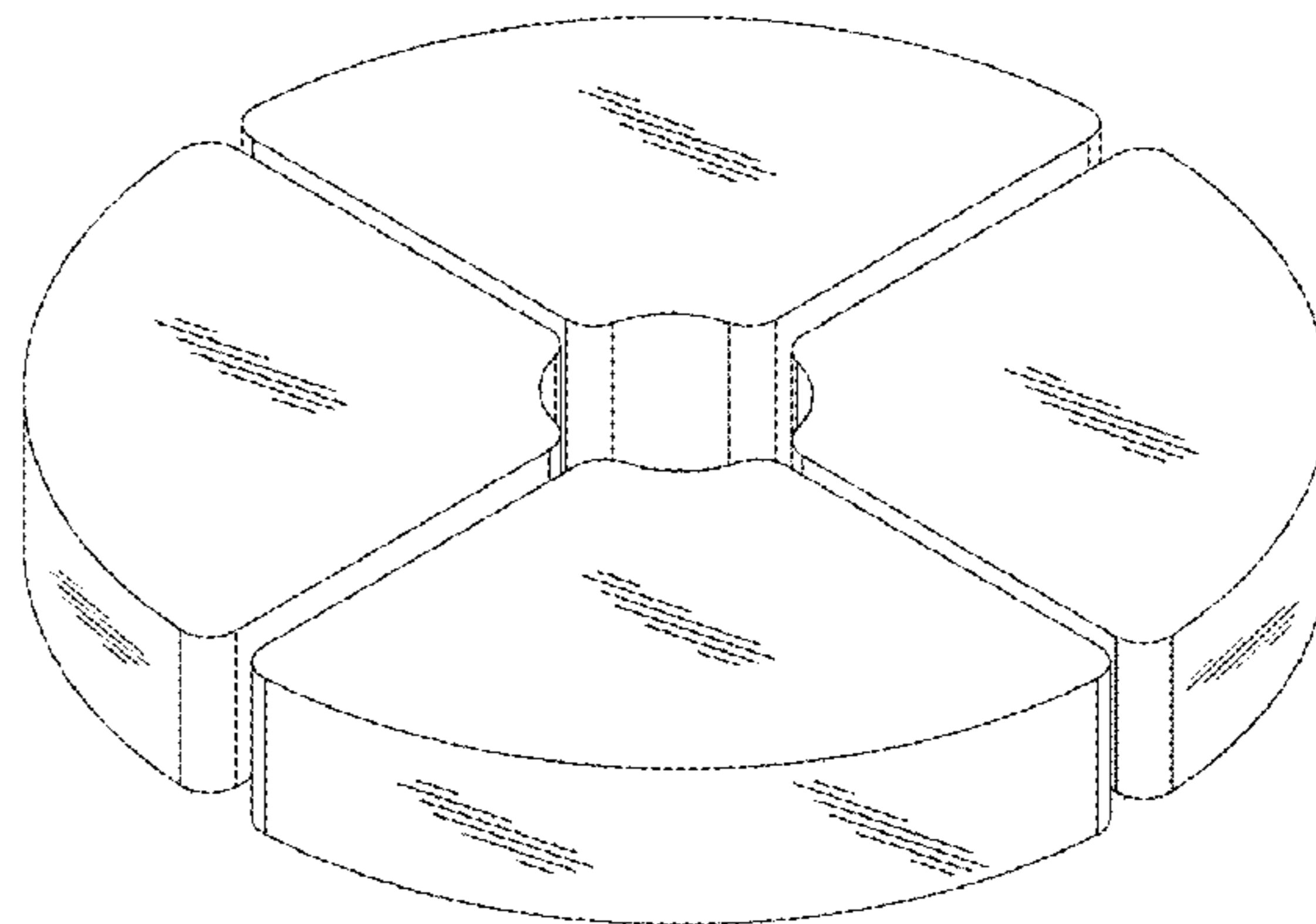
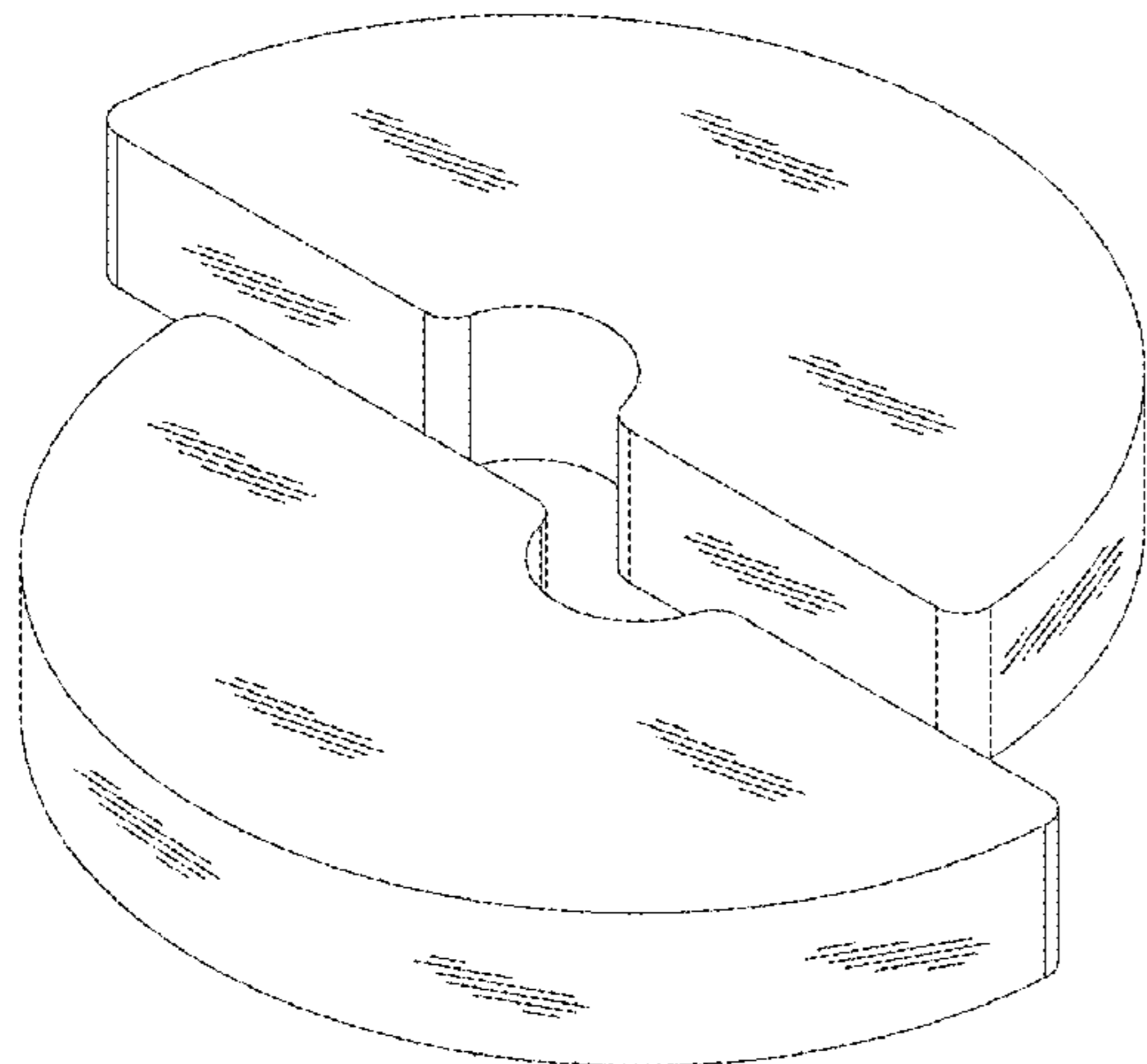
FIG. 7 is a top view thereof, the bottom view being identical
thereto;

FIG. 8 is a front view thereof, the back view, left-side view
thereof, and right-side view being identical thereto; and,

FIG. 9 is a view showing edge detail of a single one of the
four sections, the edge detail of the other three of the four
sections being identical thereto.

In the first embodiment, the two sections are used together
as a multi-sectioned weight in a fermenting vessel, as shown
and described in co-pending utility application Ser. No.
14/523,936. In the second embodiment, the four sections are
used together as a multi-sectioned weight in a fermenting
vessel, as also shown and described in co-pending utility
application Ser. No. 14/523,936.

1 Claim, 4 Drawing Sheets



(58) **Field of Classification Search**

CPC A01J 9/00; A21B 2/00; A21B 3/00; A21B 3/13; A21B 3/15; A21B 5/00; A21B 5/02; A23N 12/06; A23N 12/08; A23N 12/10; A47J 37/00; A47J 37/04; A47J 37/041; A47J 37/042; A47J 37/06; A47J 37/0688; A47J 37/0694; A47J 37/07; A47J 37/0704; A47J 37/10; A47J 47/20; A47J 2037/00; A47J 2037/06; A47J 2037/0611; A47J 2037/07; A47J 2037/0786; A47J 2037/0795; A63B 21/0724; A63H 23/10; B65D 51/007; B65D 81/245; C12M 23/10; F24C 15/10; F24C 15/12; F24C 15/14; F24C 15/16; F24C 15/164; F24C 15/18

See application file for complete search history.

(56) **References Cited**

U.S. PATENT DOCUMENTS

D230,752 S * 3/1974 Speyer D21/681
 4,971,318 A * 11/1990 Tracy A63B 21/0728
 482/107
 5,122,470 A * 6/1992 Banes C12M 23/10
 435/297.1
 6,319,176 B1 * 11/2001 Landfair A63B 21/06
 482/106
 D464,094 S * 10/2002 Fond D21/680

6,783,421 B1 * 8/2004 Lopez A63H 23/10
 446/153
 D630,368 S * 1/2011 de Rijck D26/89
 D690,842 S * 10/2013 Feigenbaum D26/24
 D746,622 S * 1/2016 O'Brien D21/823
 2005/0075221 A1 * 4/2005 Fond A63B 21/0724
 482/93
 2013/0221005 A1 * 8/2013 Raymond B65D 51/007
 220/212
 2014/0116271 A1 5/2014 Diggs et al.

OTHER PUBLICATIONS

Unknown Author, "Large Ceramic Fermentation weight", Internet-published article printed from <<http://www.naturaltherapyshop.com.au/large-ceramic-fermentation-weight/>> on Oct. 26, 2014. 2 pages.

Unknown Author, "Finest Ferment Jar Weights", Internet-published article printed from <<http://home.beeline-online.net/revrick/jarweights.htm>> on Oct. 26, 2014. 2 pages.

Unknown Author, "Glass Dunking Weights for Fermenting Large, Medium or Small", Internet-published article printed from <<http://ozfarmer.com/glass-dunking-weight-for-fermenting>> on Oct. 26, 2014. 4 pages.

Unknown Author, "Pickle Pebbles 4 Pack—Glass Fermentation Weights", Internet-published article printed from <http://www.masonstops.com/store/p1/Pickle_Pebbles_4_Pack_-_Glass_Fermentation_Weights.html> on Oct. 26, 2014. 1 page.

* cited by examiner

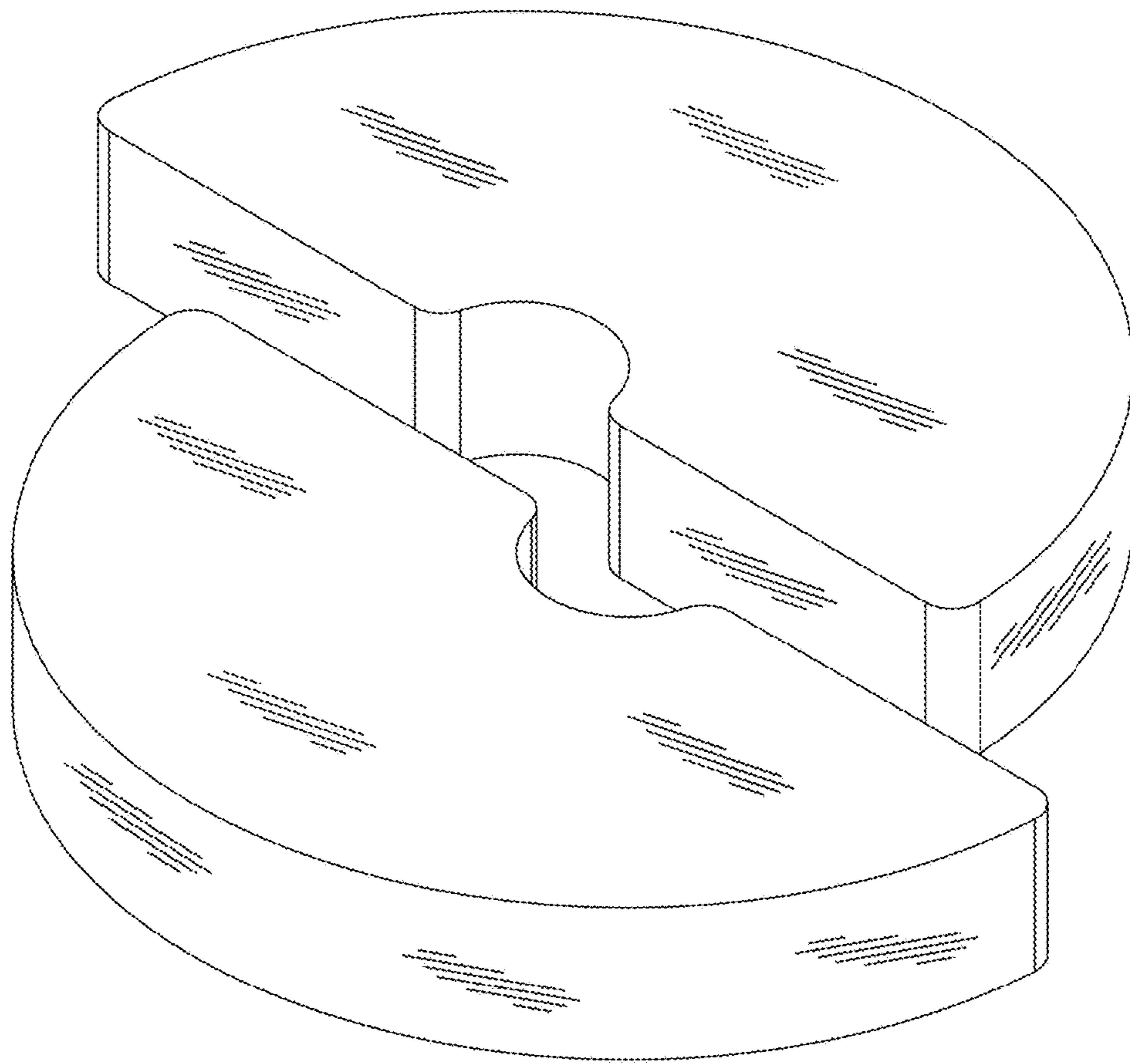


FIG 1

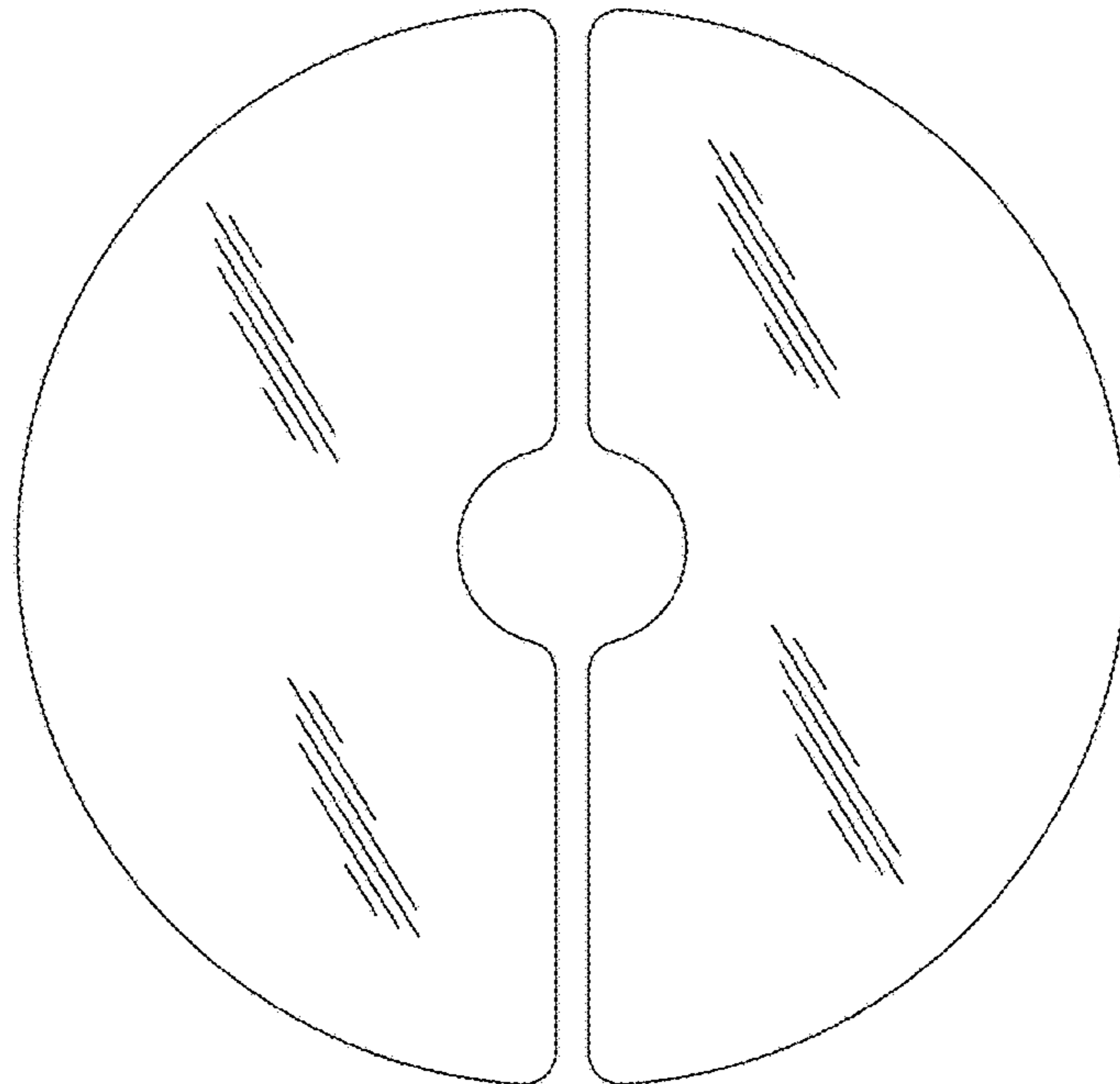


FIG 2

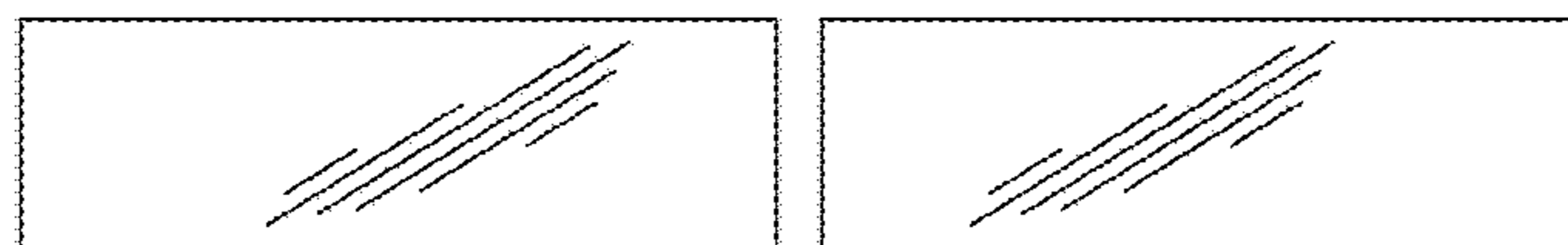


FIG 3



FIG 4

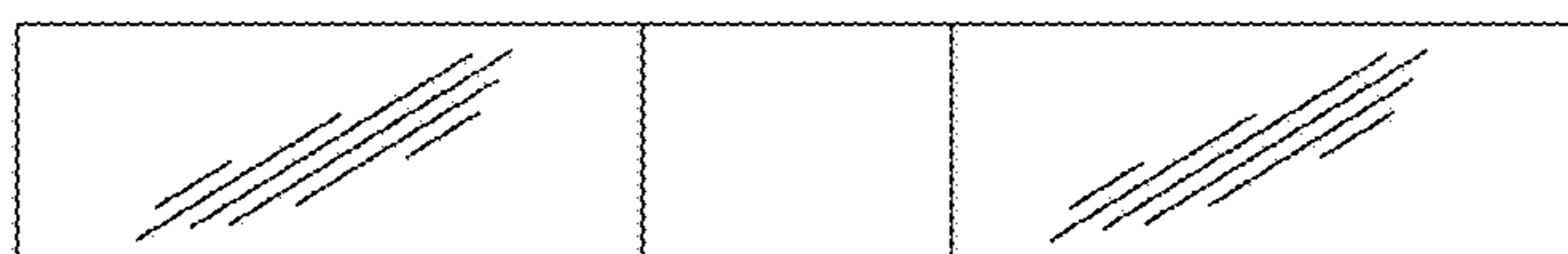


FIG 5

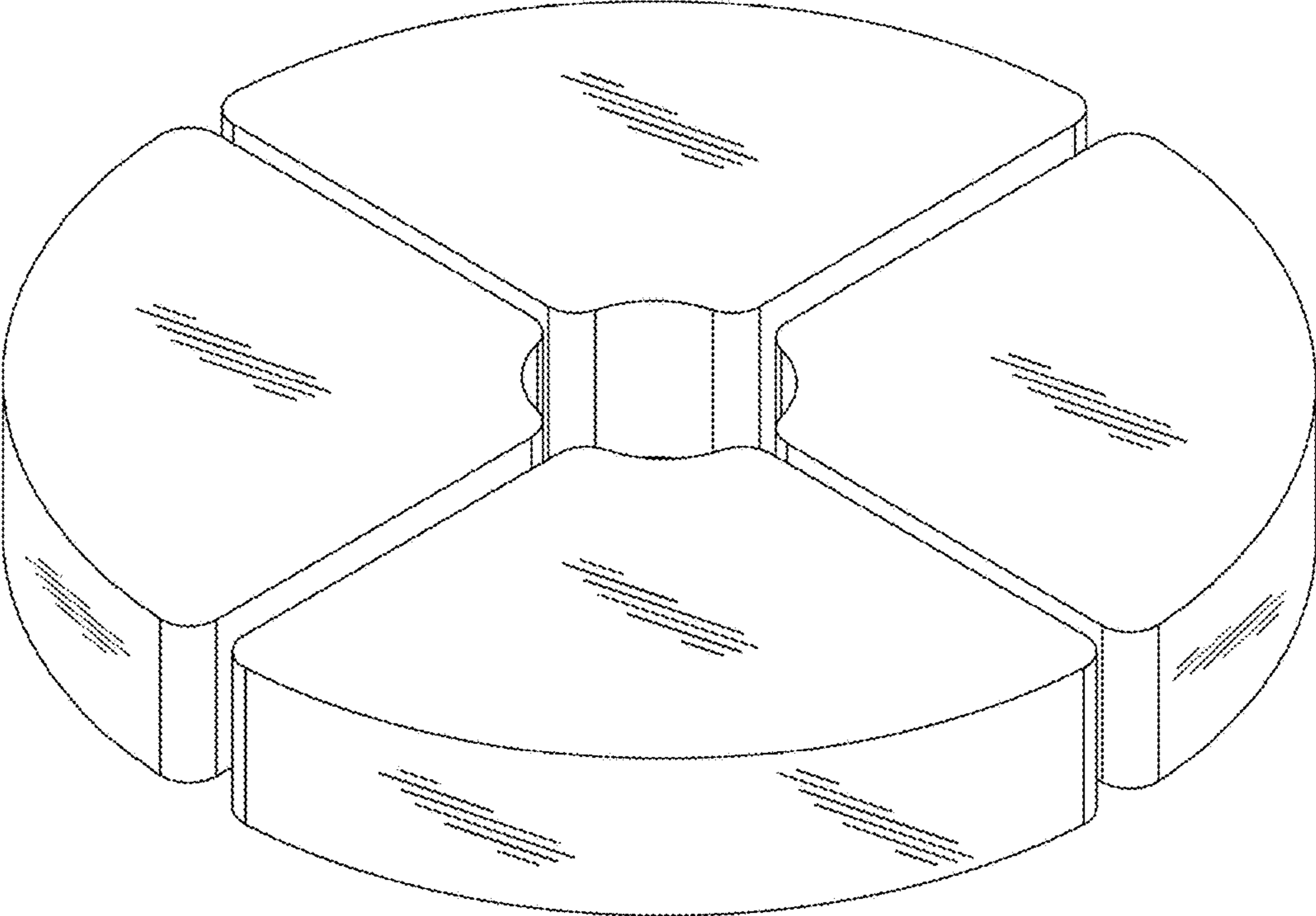


FIG 6

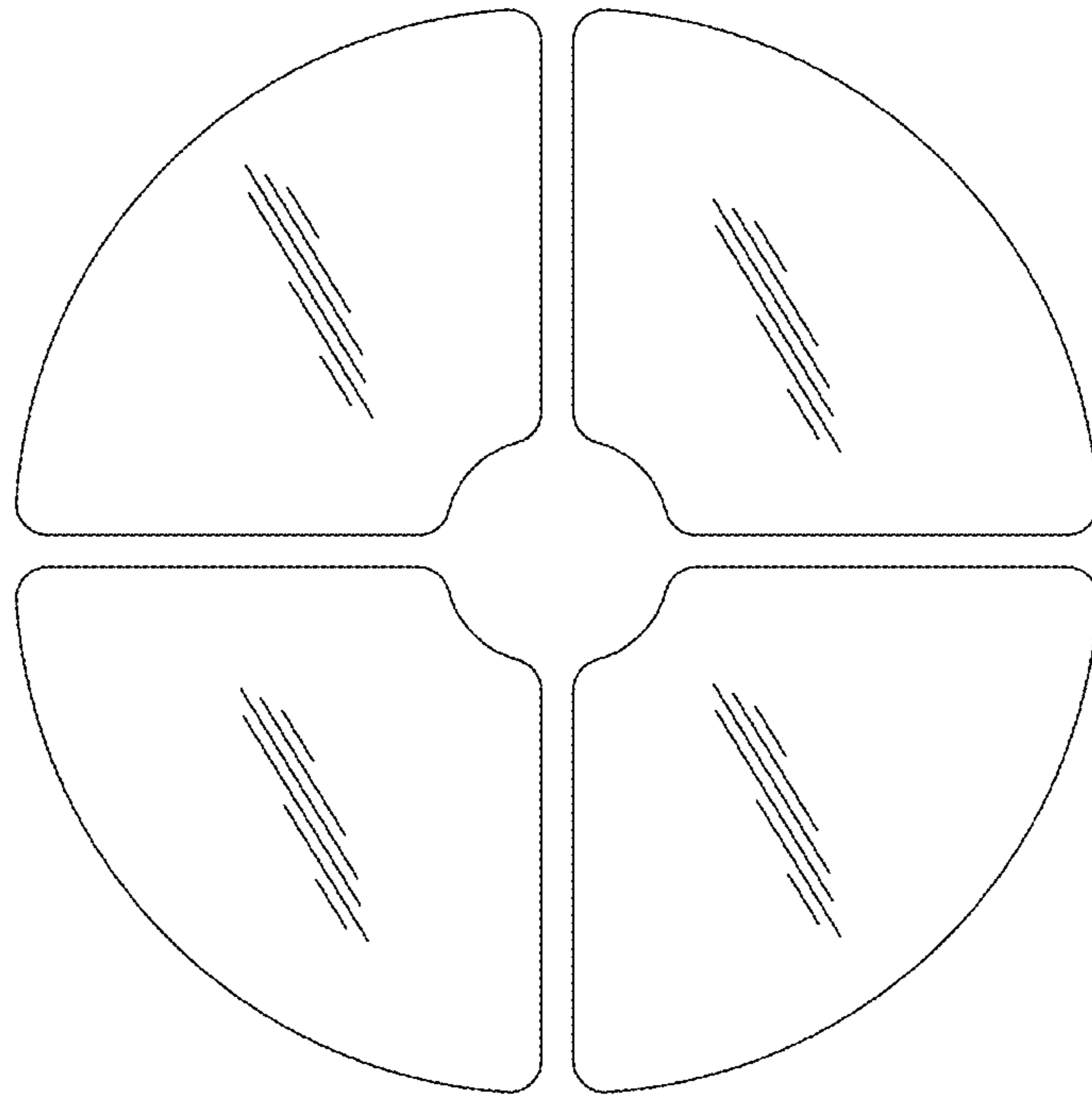


FIG 7

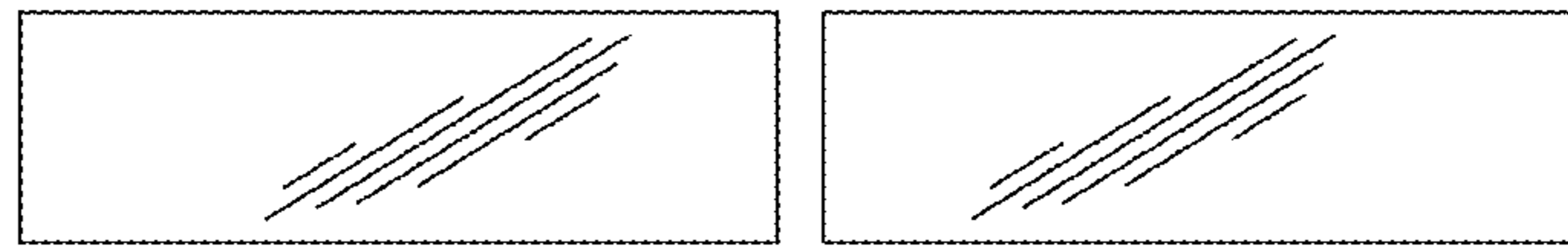


FIG 8

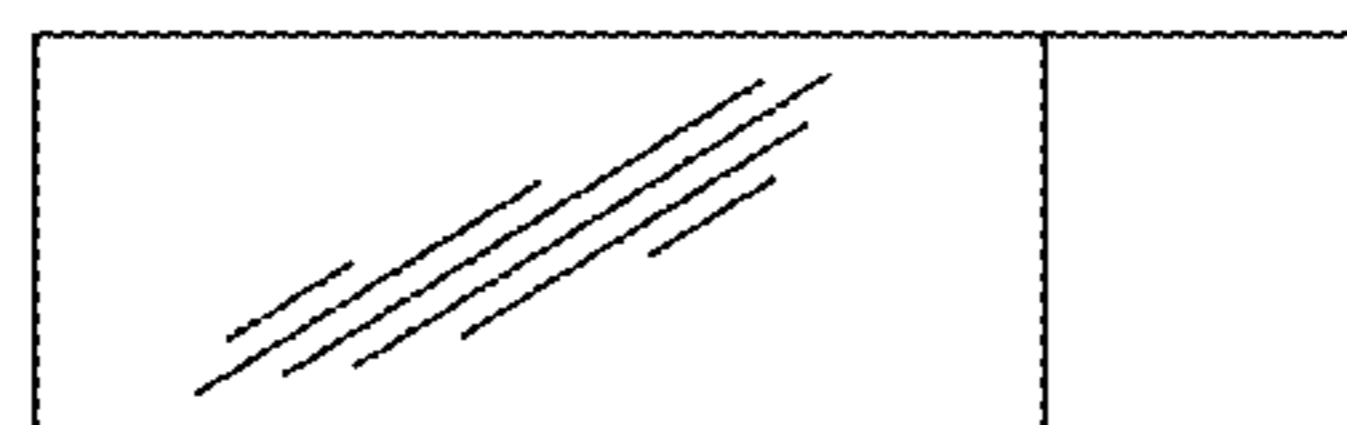


FIG 9