



US00D812424S

(12) **United States Design Patent** (10) **Patent No.:** **US D812,424 S**
Nilssen (45) **Date of Patent:** **** Mar. 13, 2018**

(54) **GRILL HOOD**

(56) **References Cited**

(71) Applicant: **Hestan Commercial Corporation,**
Anaheim, CA (US)

(72) Inventor: **Ray Nilssen,** Fairhope, AL (US)

(73) Assignee: **Hestan Commercial Corporation,**
Anaheim, CA (US)

(**) Term: **15 Years**

(21) Appl. No.: **29/556,320**

(22) Filed: **Feb. 29, 2016**

U.S. PATENT DOCUMENTS

D462,227 S *	9/2002	Alden	D7/334
D465,693 S *	11/2002	Coleman	D7/334
D494,004 S *	8/2004	Chapman	D7/334
D503,306 S *	3/2005	Huang	D7/337
D521,307 S *	5/2006	Parrant	D7/334
D525,072 S *	7/2006	Wilgus	D7/334
D533,009 S *	12/2006	Pai	D7/334
D533,010 S	12/2006	Pai	
D535,846 S	1/2007	Debord et al.	
D560,416 S *	1/2008	Sedberry	D7/334
D569,168 S	5/2008	Pai	
D571,602 S *	6/2008	Chung	D7/334
D581,199 S *	11/2008	Chau	D7/334
D584,562 S	1/2009	Chau et al.	
D586,609 S	2/2009	Chau	
D615,799 S *	5/2010	Best	D7/337
D631,685 S *	2/2011	Tiller	D7/337
D635,814 S	4/2011	Leavens	
D660,074 S *	5/2012	Chung	D7/334

(Continued)

Primary Examiner — Susan Bennett Hattan

Assistant Examiner — Suzanne E Tisdell

(74) *Attorney, Agent, or Firm* — Akerman LLP

Related U.S. Application Data

(63) Continuation-in-part of application No. 29/550,112,
filed on Dec. 30, 2015.

(51) **LOC (11) Cl.** **07-99**

(52) **U.S. Cl.**
USPC **D7/402**

(58) **Field of Classification Search**
USPC D7/213, 323, 324, 325, 326, 327, 328,
D7/329, 330, 331, 332, 333, 334, 337,
D7/402, 404, 405, 406, 407
CPC G05D 7/00; F24F 13/07; F24C 5/00; F24C
5/20; F24C 3/00; F24C 3/10; F24C 3/12;
F24C 15/06; F24C 15/10; F24C 15/16;
F24C 15/20; F24B 3/00; F23N 5/22;
B60H 3/00; B32B 15/04; A47J 33/00;
A47J 37/04; A47J 37/041; A47J
37/07-37/713; A47J 37/0718-37/0727;
A47J 37/0731-37/074; A47J
37/0745-37/0772; A47J 37/0777; A47J
37/0781

See application file for complete search history.

(57) **CLAIM**

The ornamental design for a grill hood, as shown and
described.

DESCRIPTION

FIG. 1 is a perspective view of the “grill hood” showing my
new design, with variable width indicated with the use of a
break line;

FIG. 2 is a top view thereof;

FIG. 3 is a bottom view thereof;

FIG. 4 is a left side view thereof;

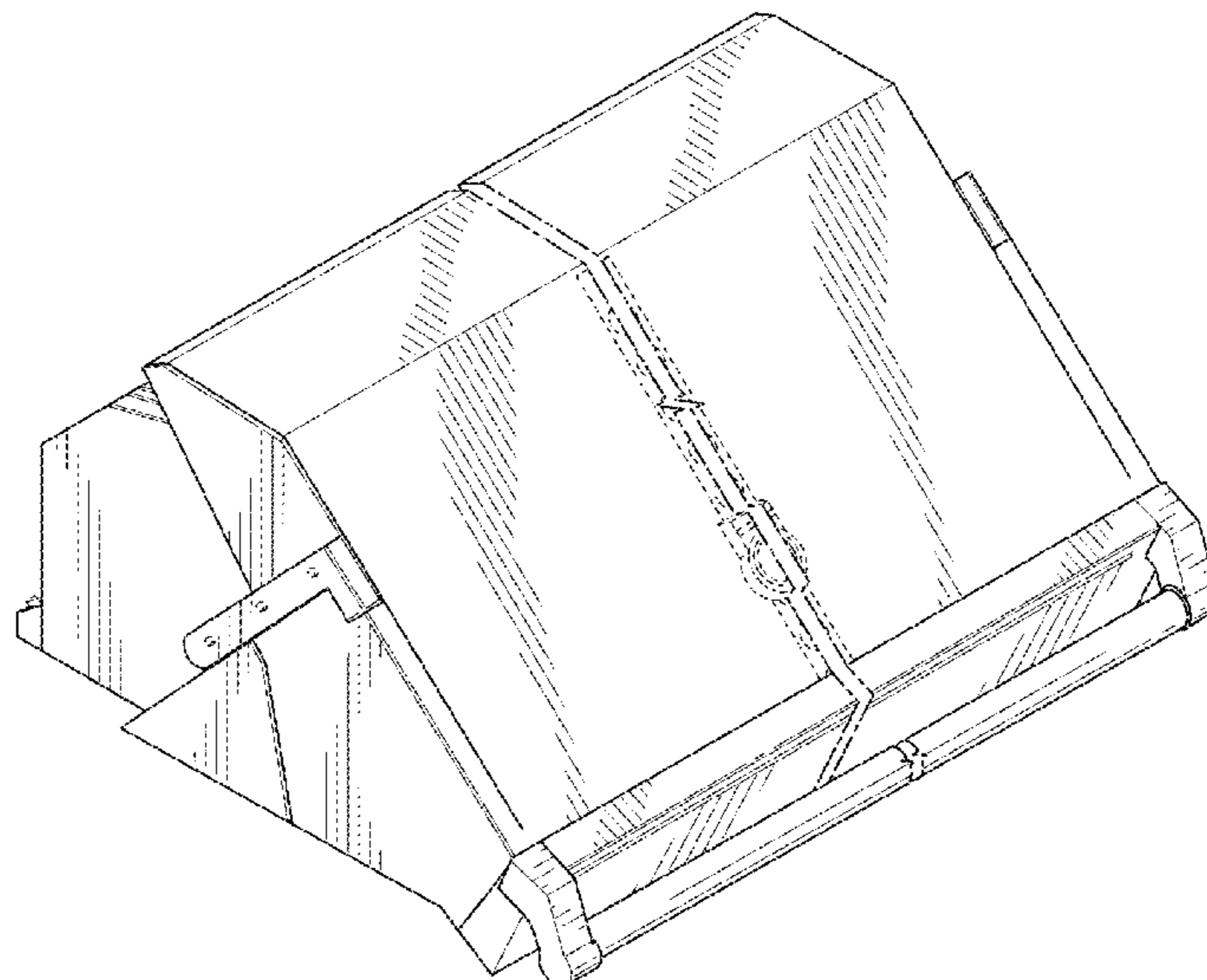
FIG. 5 is a right side view thereof;

FIG. 6 is a back view thereof; and,

FIG. 7 is a front view thereof.

The broken lines show unclaimed environmental structures.

1 Claim, 7 Drawing Sheets



(56)

References Cited

U.S. PATENT DOCUMENTS

D677,111	S	*	3/2013	Chung	D7/337
D688,510	S		8/2013	Stirn		
D688,512	S		8/2013	Chung		
D693,624	S		11/2013	Chung		
D694,056	S		11/2013	Dahle		
D694,568	S	*	12/2013	Alden	D7/334
D697,357	S	*	1/2014	Goecke	D7/334
D722,467	S	*	2/2015	Chung	D7/337
D722,809	S	*	2/2015	Chung	D7/334
D722,810	S	*	2/2015	Chung	D7/334
D722,812	S	*	2/2015	Chung	D7/337
D722,813	S	*	2/2015	Chung	D7/337
D723,322	S		3/2015	Strauch et al.		
D723,860	S	*	3/2015	Chung	D7/334
D731,843	S	*	6/2015	Chung	D7/334
D732,874	S	*	6/2015	Chung	D7/334
D736,026	S	*	8/2015	Kam	D7/334
D747,911	S		1/2016	Sheppard		
D769,668	S	*	10/2016	Lally	D7/334
D772,637	S	*	11/2016	Barquin	D7/337
2007/0204858	A1		9/2007	Abelbeck		
2008/0229937	A1*		9/2008	Stephen	A47J 37/07 99/421 R
2010/0297321	A1		11/2010	Strauch		
2011/0219958	A1		9/2011	Noble		
2013/0112088	A1*		5/2013	May	A47J 37/07 99/421 H
2014/0318524	A1*		10/2014	Measom	A47J 37/0704 126/25 R
2015/0004297	A1		1/2015	Pothetes		
2016/0198895	A1		7/2016	Turner		
2016/0208837	A1*		7/2016	Chang	F16B 5/02
2016/0360924	A1*		12/2016	Bruin-Slot	A47J 37/0713

* cited by examiner

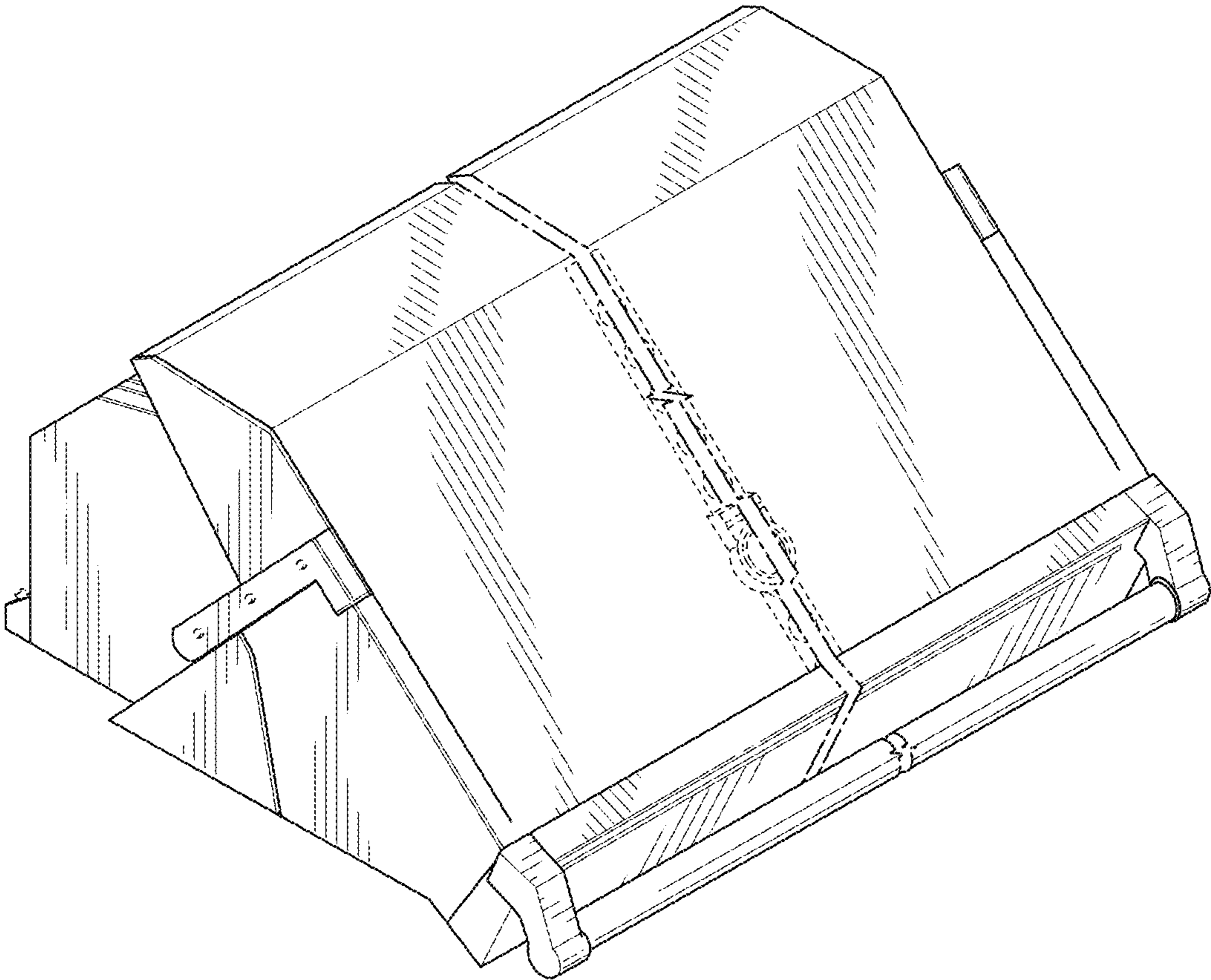


FIG. 1

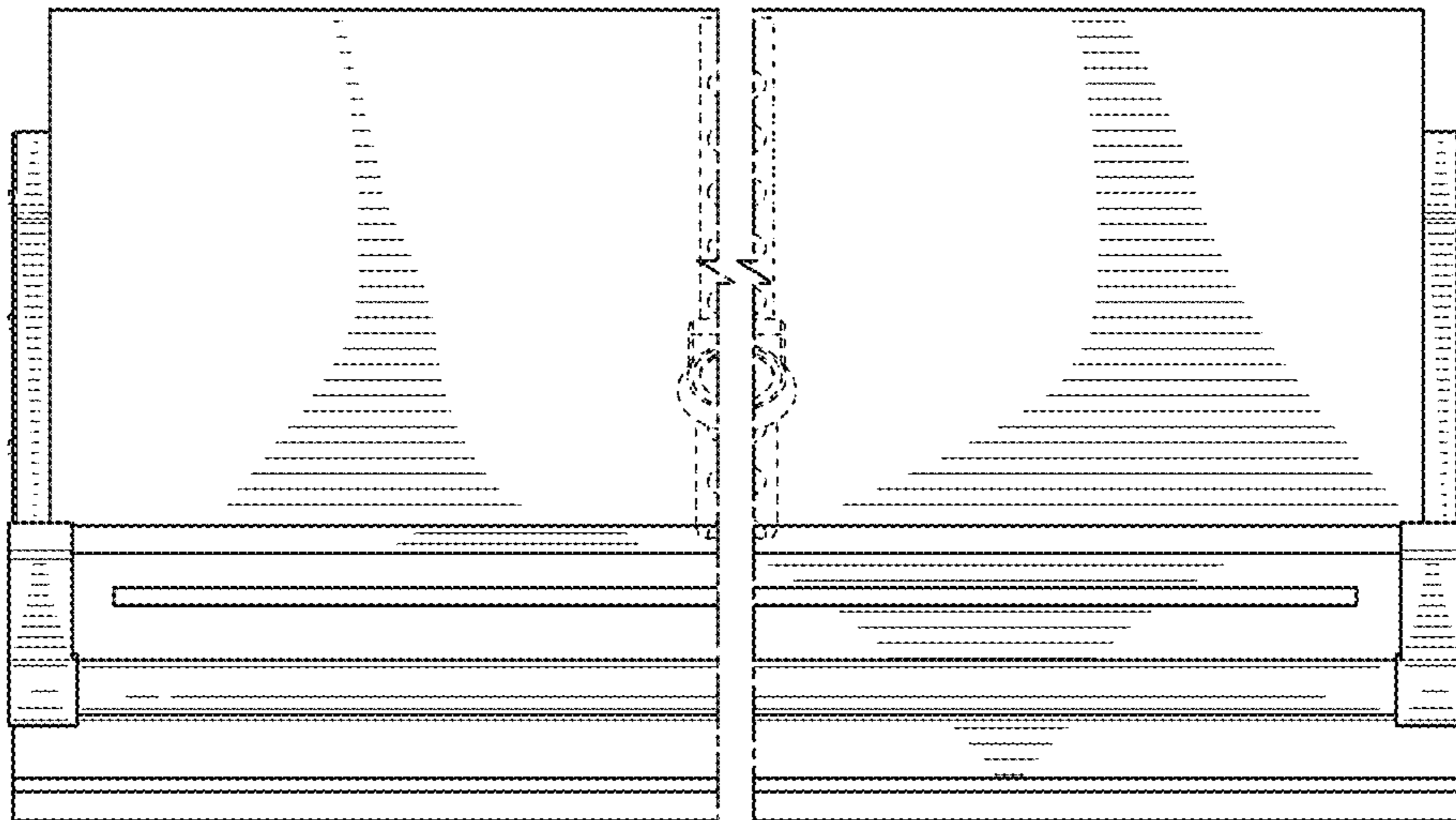


FIG. 2

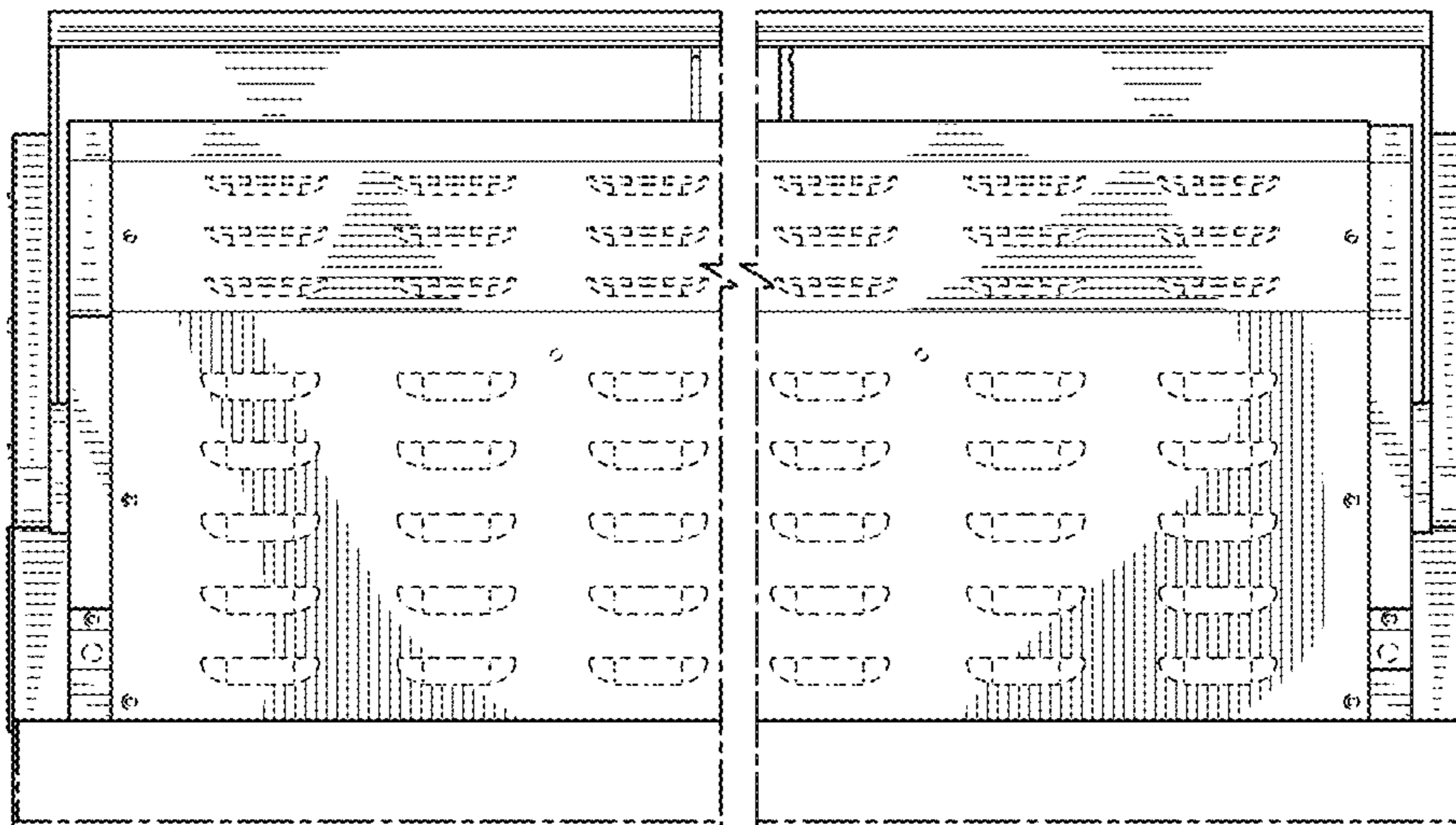


FIG. 3

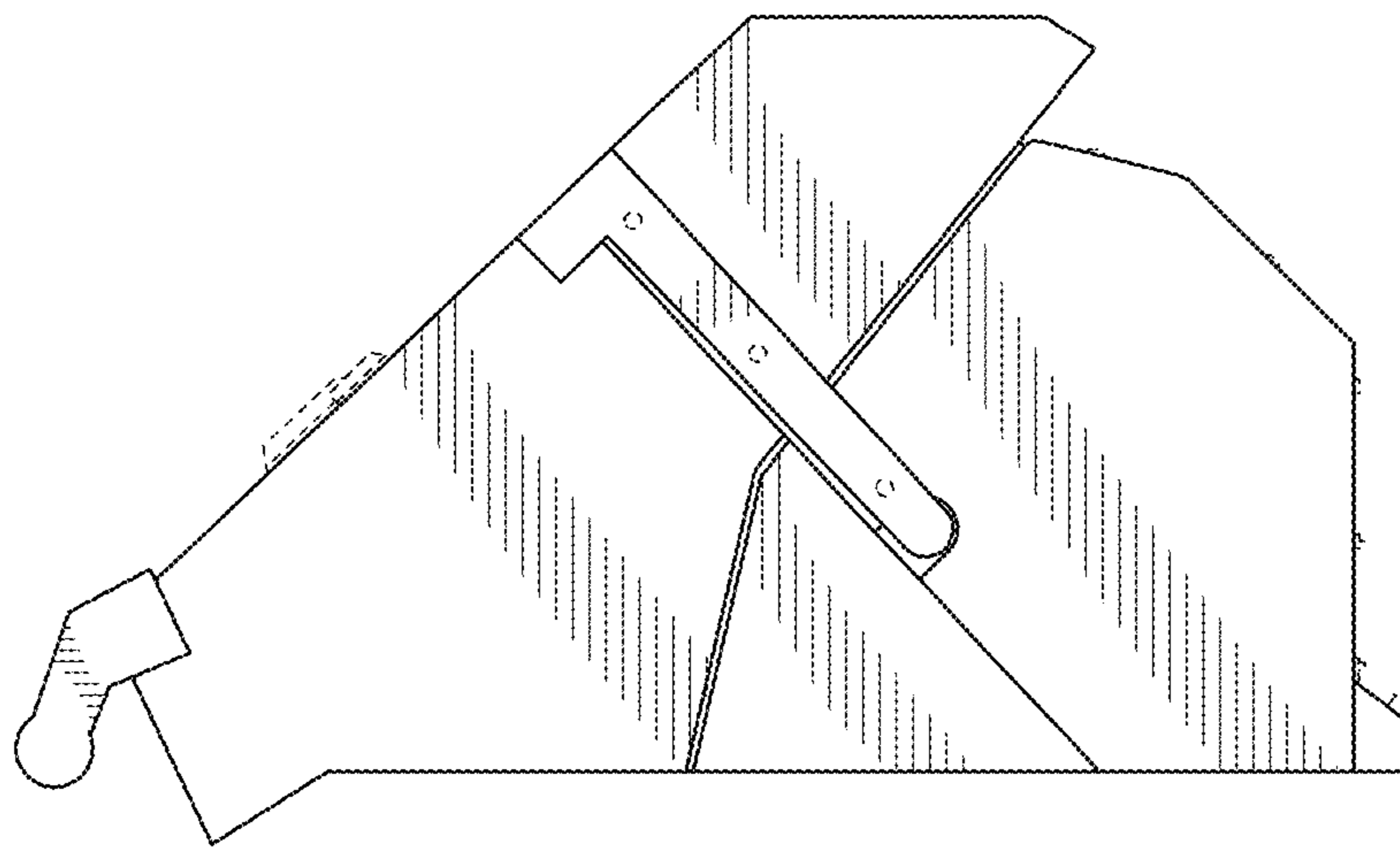


FIG. 4

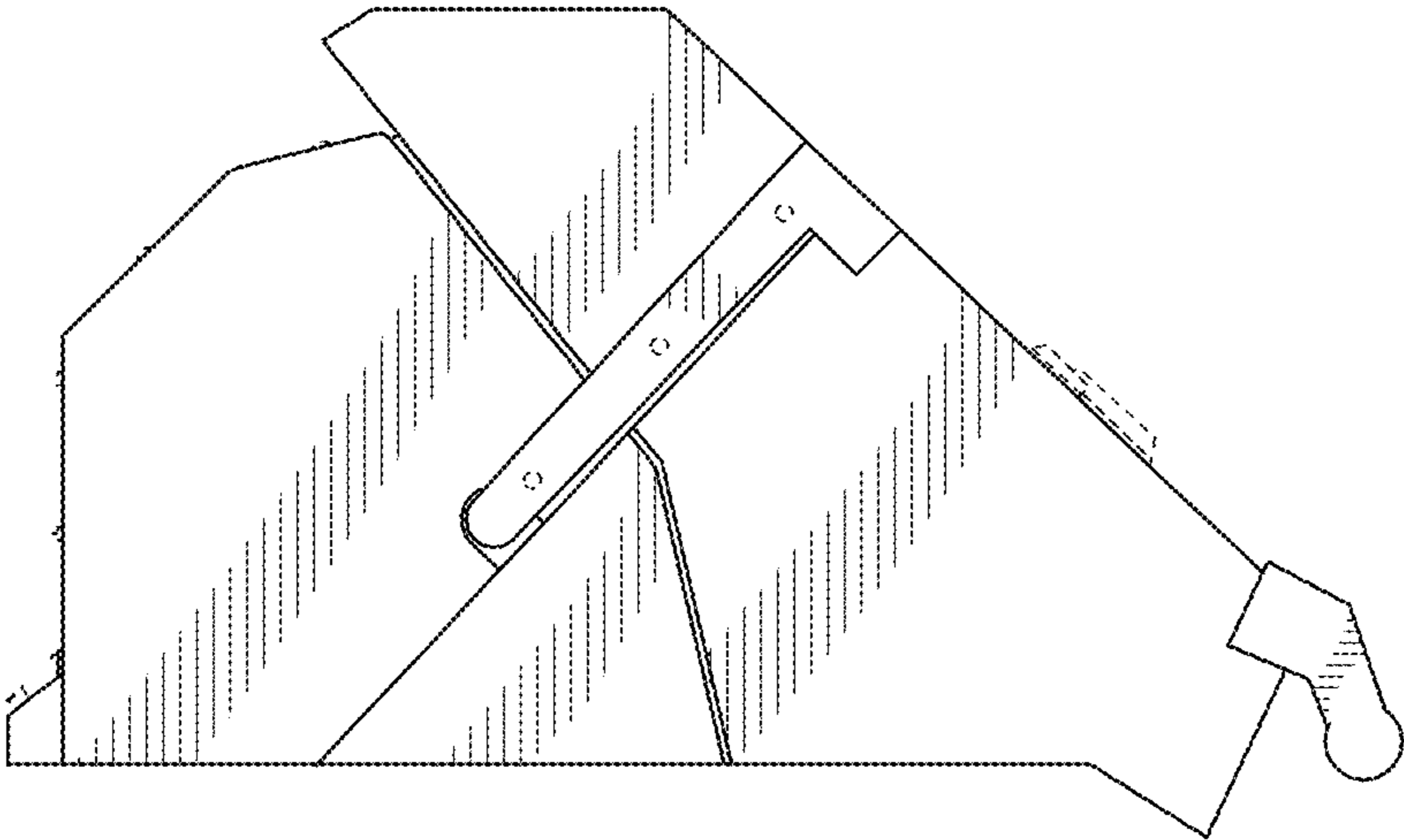


FIG. 5

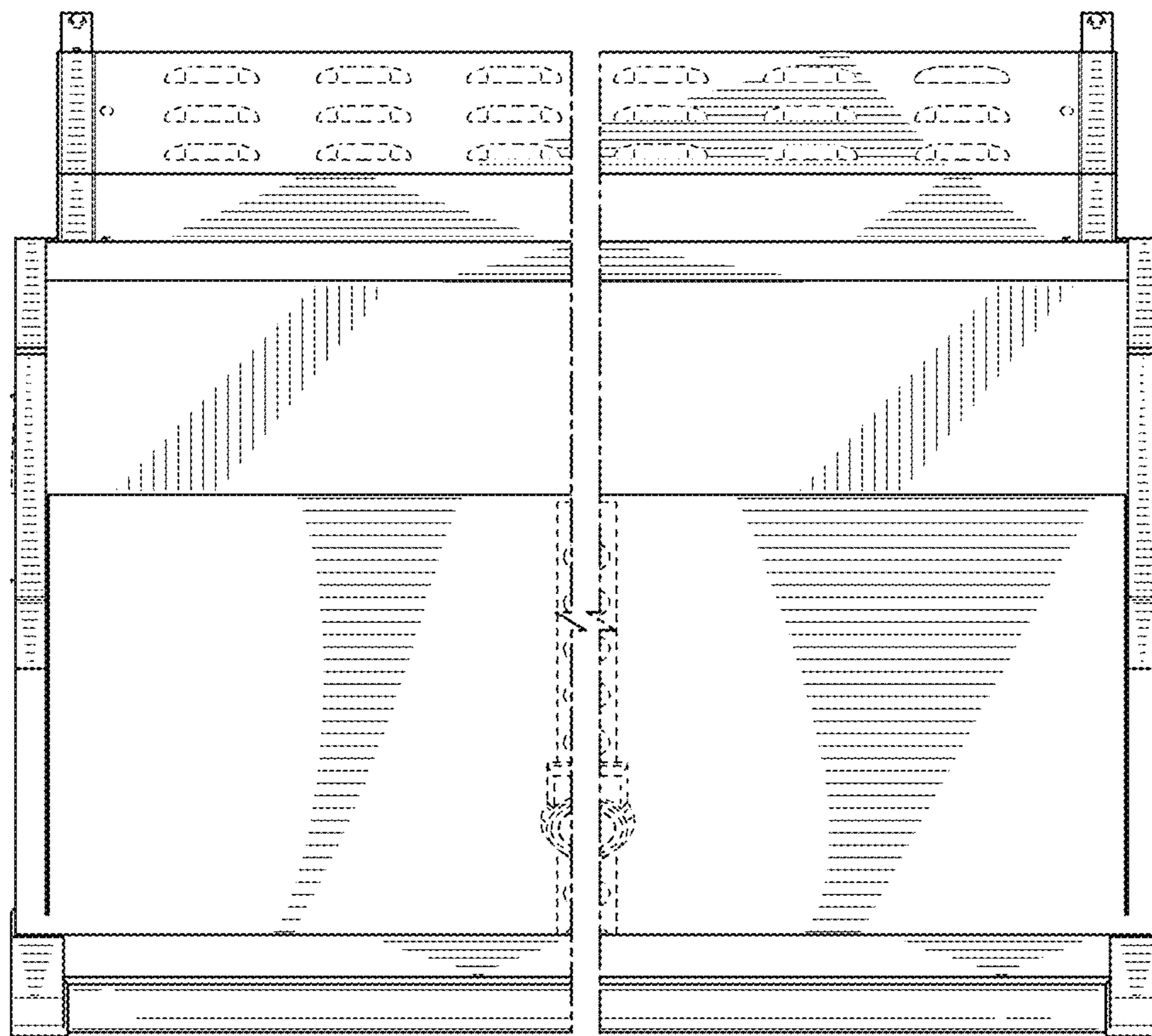


FIG. 6

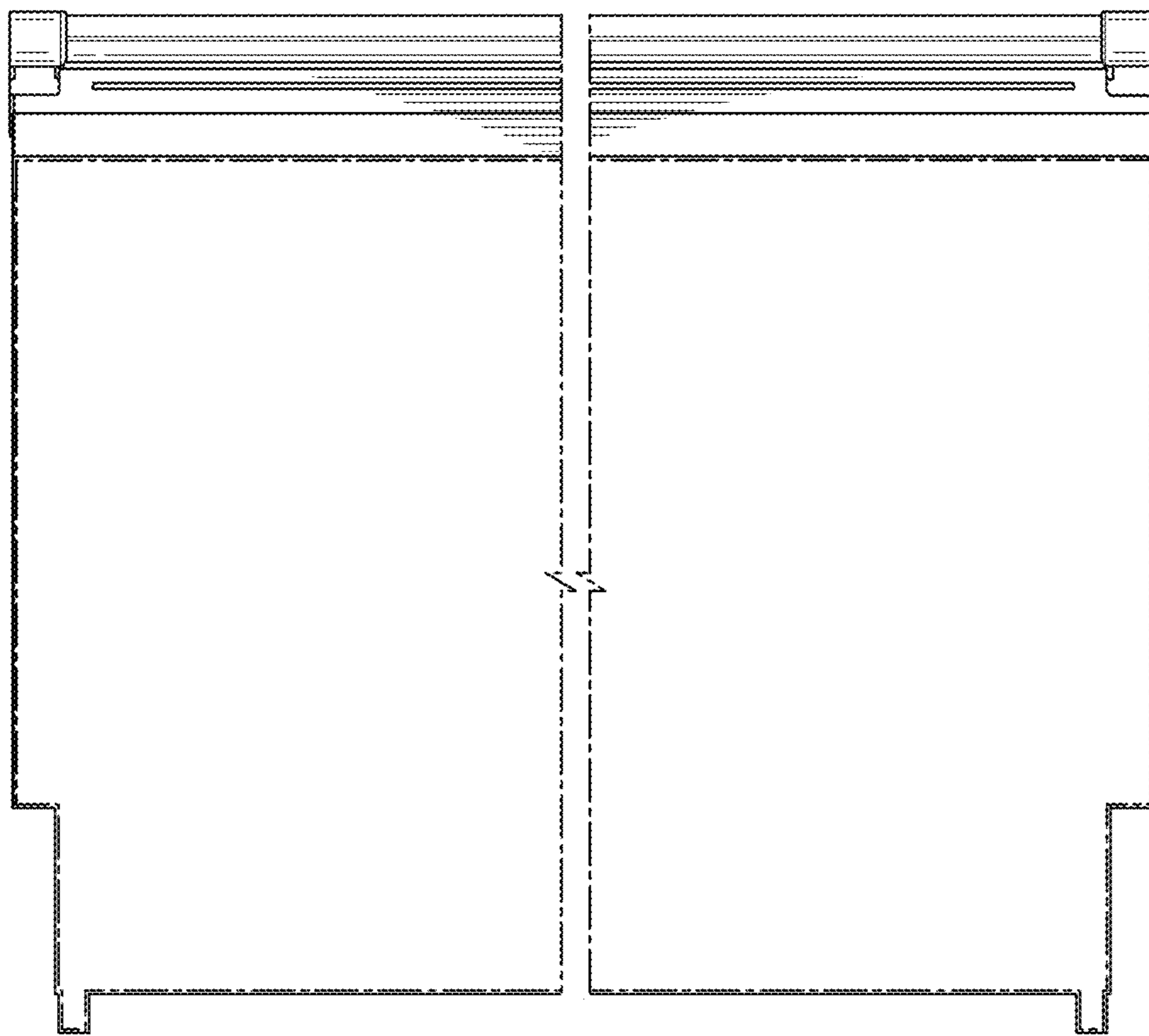


FIG. 7