



US00D812422S

(12) **United States Design Patent** (10) **Patent No.:** **US D812,422 S**
Hanneson et al. (45) **Date of Patent:** **** Mar. 13, 2018**

(54) **CAPSULE CHAMBER** D618,332 S * 6/2010 Kimura D23/388
8,539,876 B2 * 9/2013 Webster A47J 31/02
206/219
(71) Applicant: **2266170 Ontario Inc.**, Mississauga (CA) 8,950,315 B2 2/2015 Lai et al.
8,962,049 B2 2/2015 Doleac et al.
(72) Inventors: **Scott Jeffrey Hanneson**, Mississauga (CA); **Thomas Joseph Pfeifer**, Louisville, KY (US) D734,985 S * 7/2015 Furia D7/399
9,072,402 B2 7/2015 Ryser
D772,644 S * 11/2016 Kestenbaum D7/399
9,527,661 B2 * 12/2016 Fu B65D 85/8043
D783,348 S * 4/2017 Kestenbaum D7/399
(73) Assignee: **2266170 Ontario Inc.** (CA) 2014/0174300 A1 * 6/2014 Husband A47J 31/0689
99/323
(**) Term: **15 Years** 2014/0287105 A1 * 9/2014 Husband B65D 65/466
426/115
(21) Appl. No.: **29/552,294** 2015/0001100 A1 1/2015 Bartoli et al.
2015/0056331 A1 * 2/2015 Rivera B65D 85/8043
426/82

* cited by examiner

Primary Examiner — Marianne Pandozzi
(74) *Attorney, Agent, or Firm* — Saidman DesignLaw Group, LLC

(30) **Foreign Application Priority Data**
Jul. 22, 2015 (CA) 163475
(51) **LOC (11) Cl.** **07-99**
(52) **U.S. Cl.**
USPC **D7/400**
(58) **Field of Classification Search**
USPC D7/400, 399, 397, 700, 369, 667;
99/289 D, 323
CPC A47J 31/02; A47J 31/0668; A47J 31/4467;
A47G 19/00; B65D 85/808; B65D
85/8043
See application file for complete search history.

(57) **CLAIM**

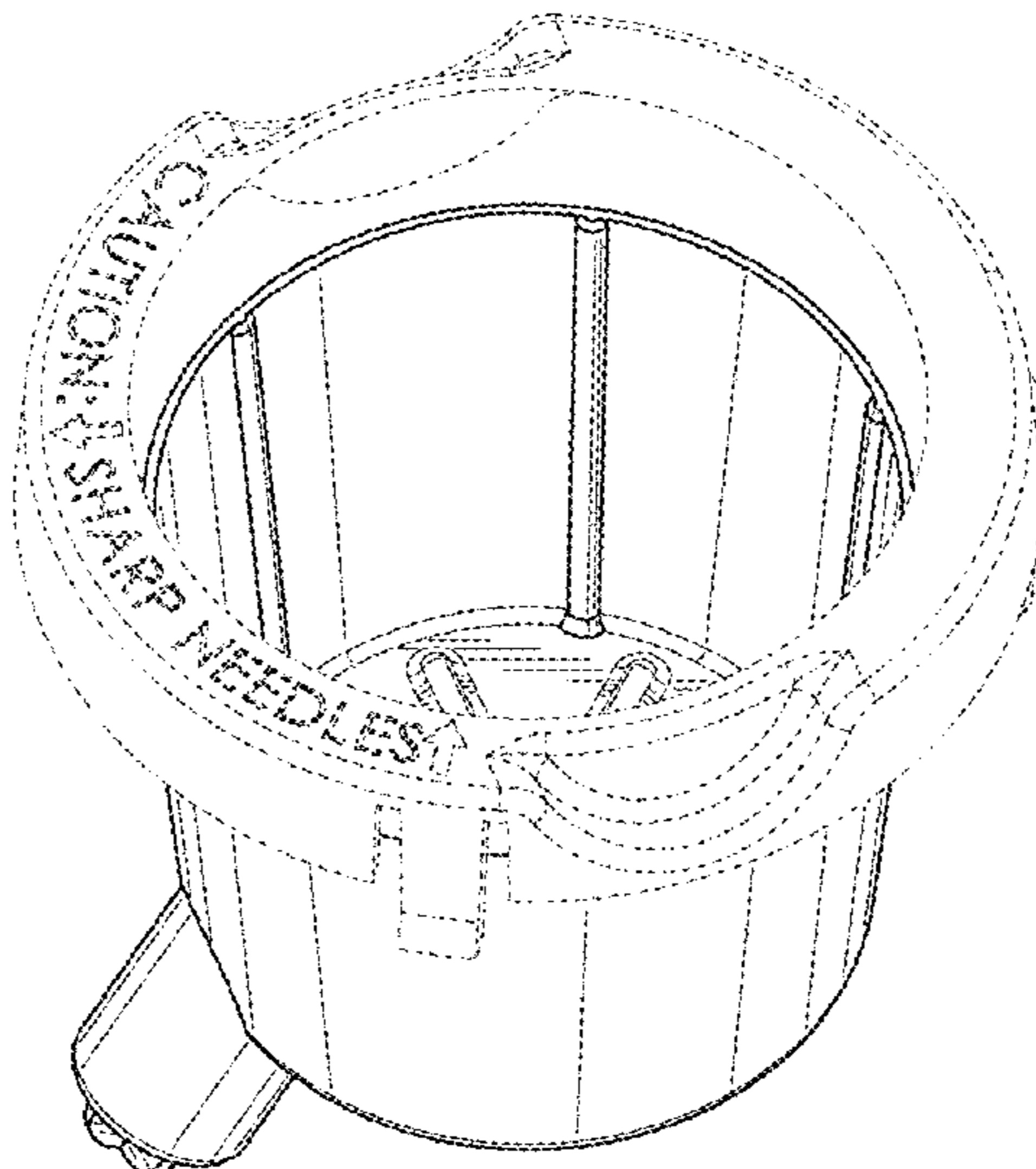
The ornamental design for a capsule chamber, as shown and described.

DESCRIPTION

FIG. 1 is a perspective view of a capsule chamber showing our new design;
FIG. 2 is a front view thereof;
FIG. 3 is a rear view thereof;
FIG. 4 is a left side view thereof;
FIG. 5 is a right side view thereof;
FIG. 6 is a top view thereof; and,
FIG. 7 is a bottom view thereof.
The drawings include surface shading that represents contour and not surface ornamentation.
The broken lines in the drawing depict portions of the capsule chamber that form no part of the claimed design.

(56) **References Cited**
U.S. PATENT DOCUMENTS
D210,848 S * 4/1968 Robb D7/213
D339,028 S * 9/1993 Bannigan D7/399
D360,106 S * 7/1995 Sintchak D7/399
D452,433 S 12/2001 Lazaris
6,497,818 B1 * 12/2002 Bunn A47J 31/0631
210/238
D474,111 S 5/2003 Lazaris
D577,433 S * 9/2008 Lulla D24/110

1 Claim, 7 Drawing Sheets



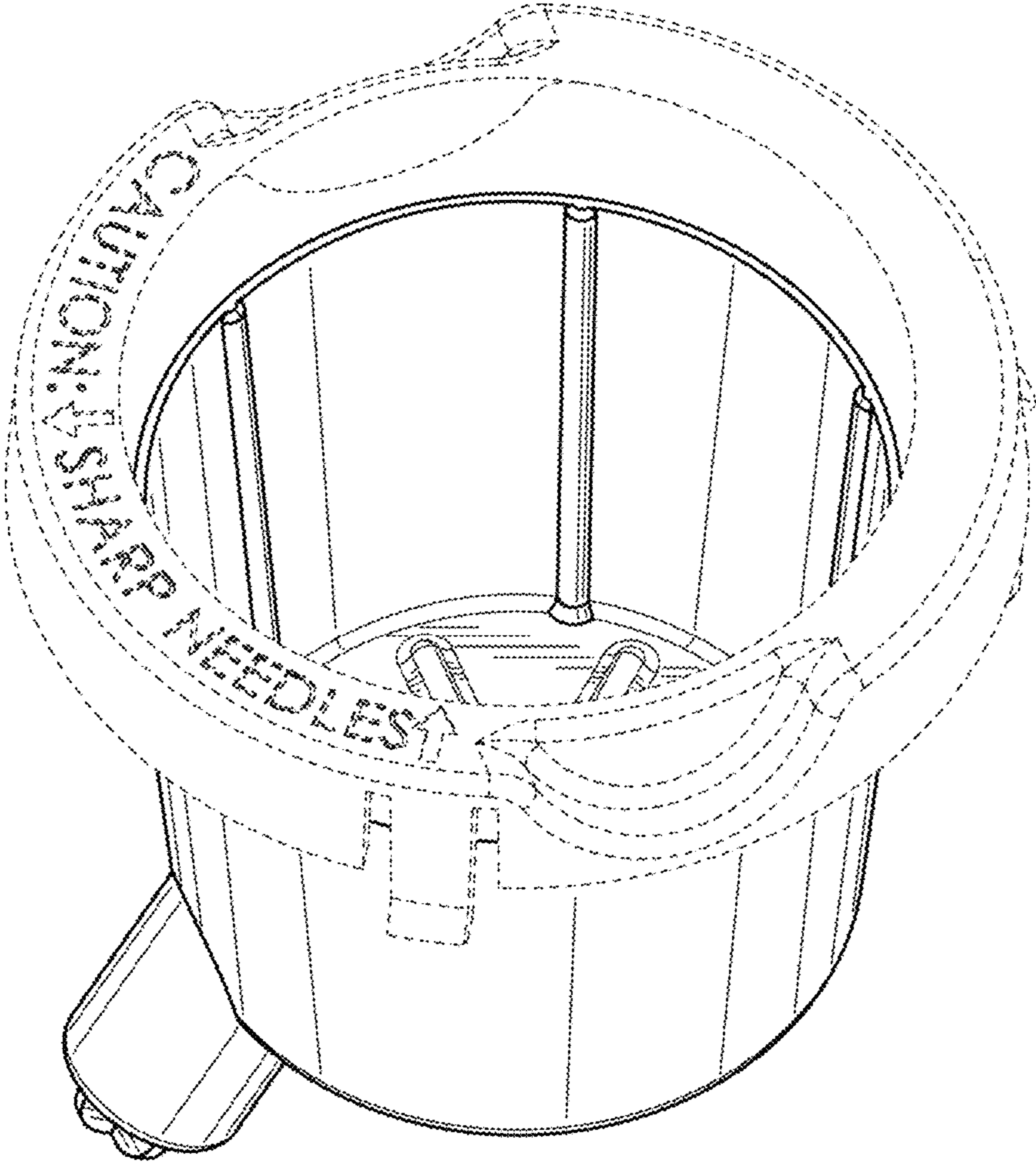


FIG. 1

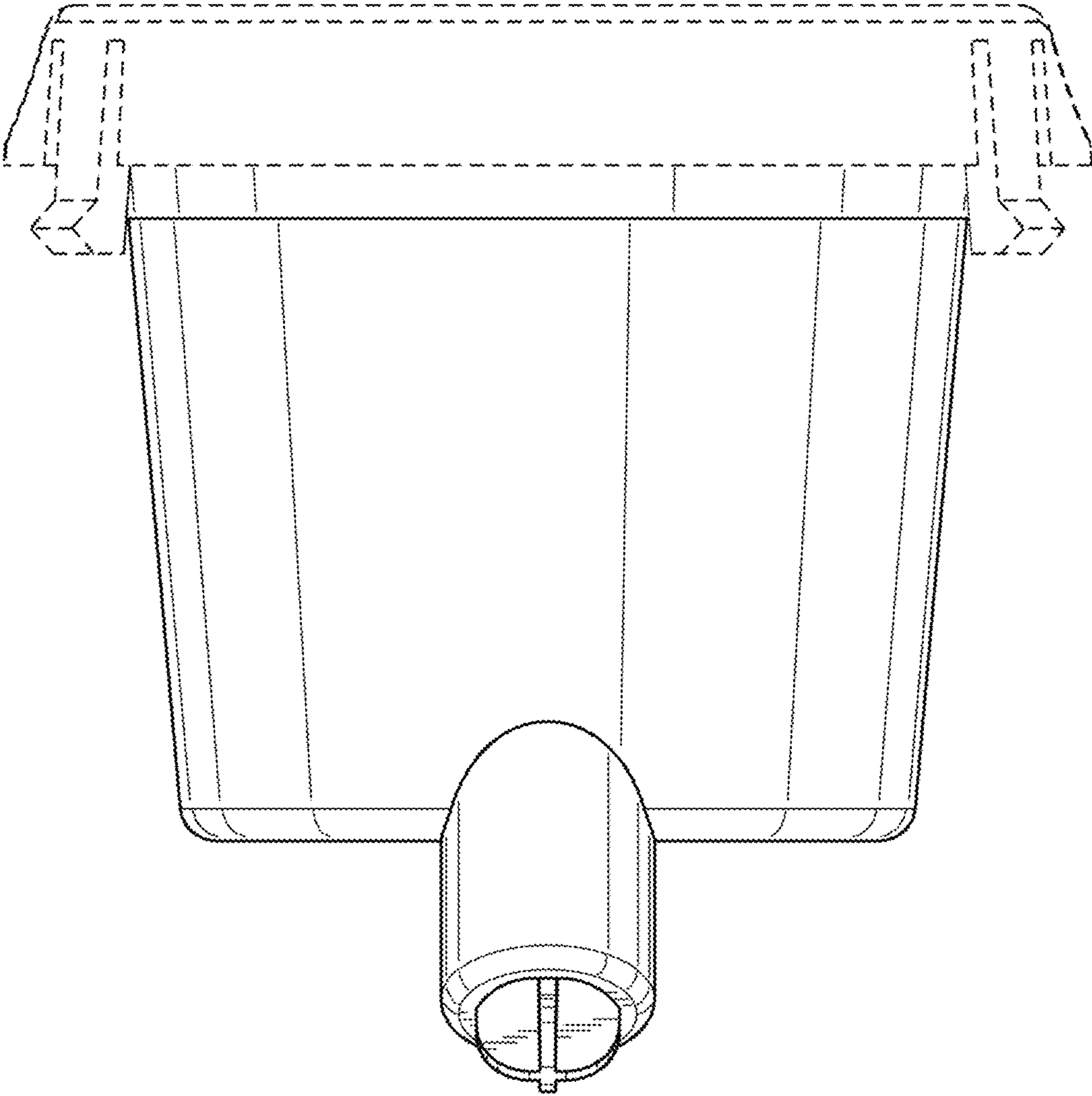


FIG. 2

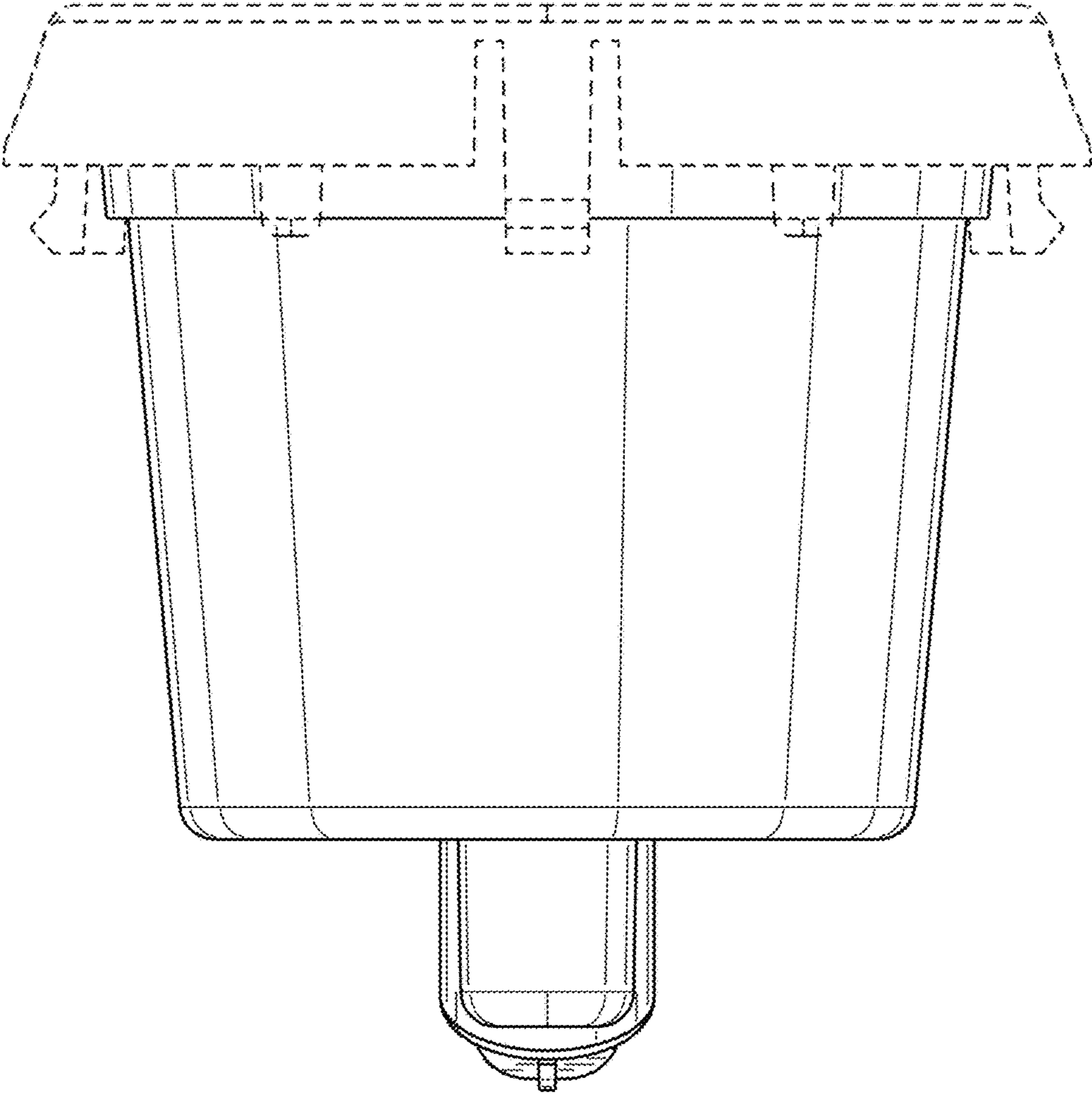


FIG. 3

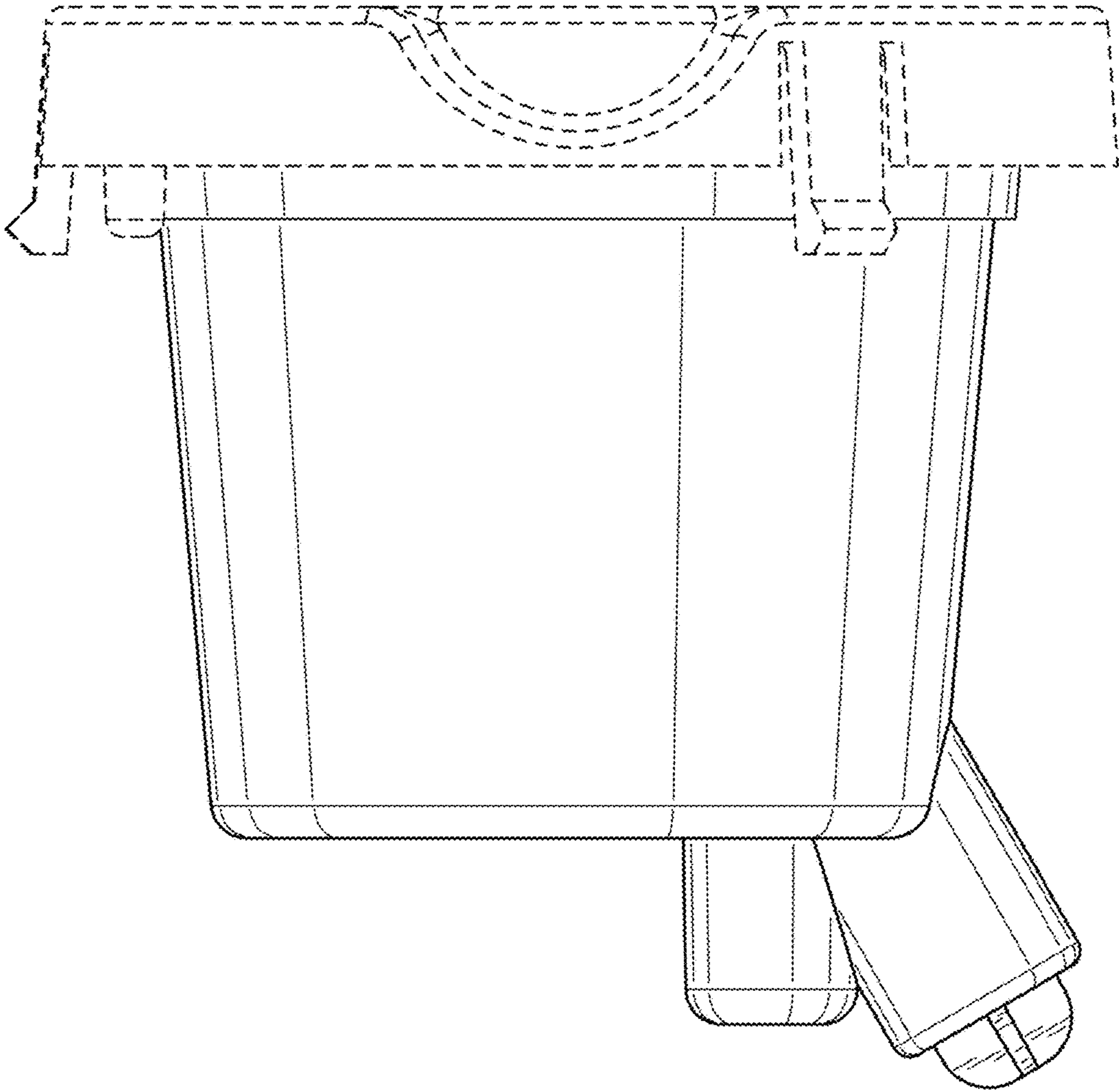


FIG. 4

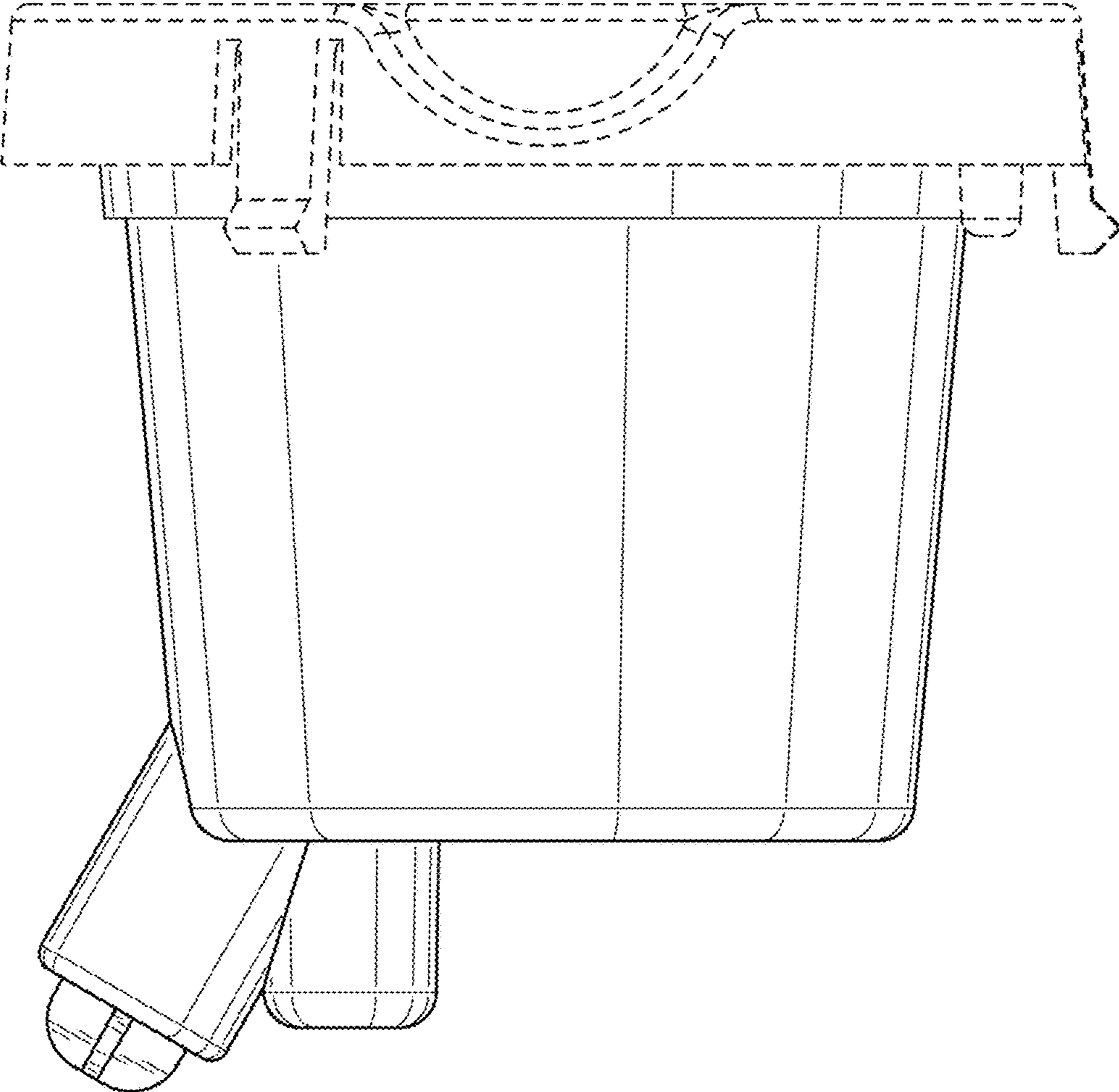


FIG. 5

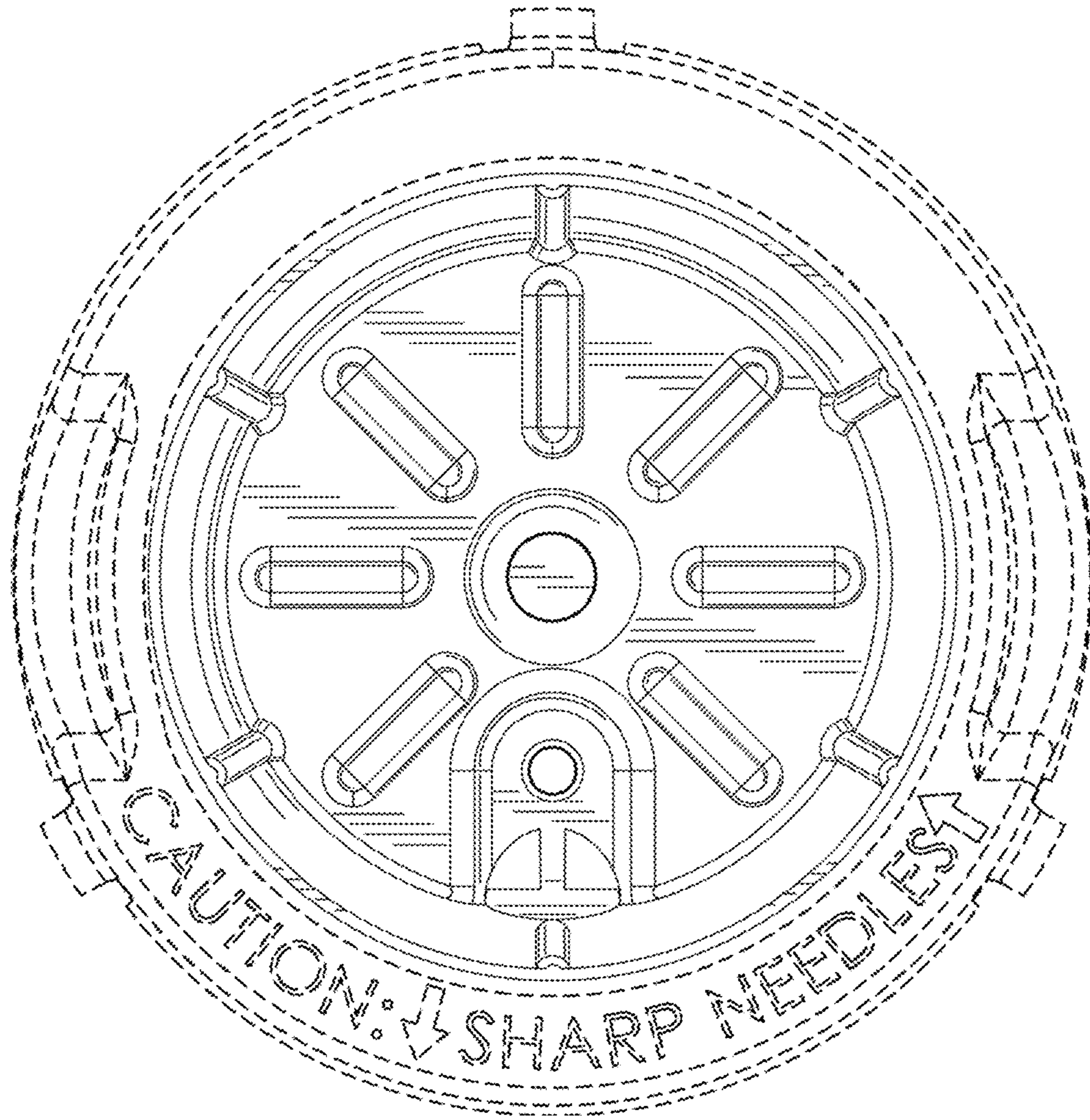


FIG. 6

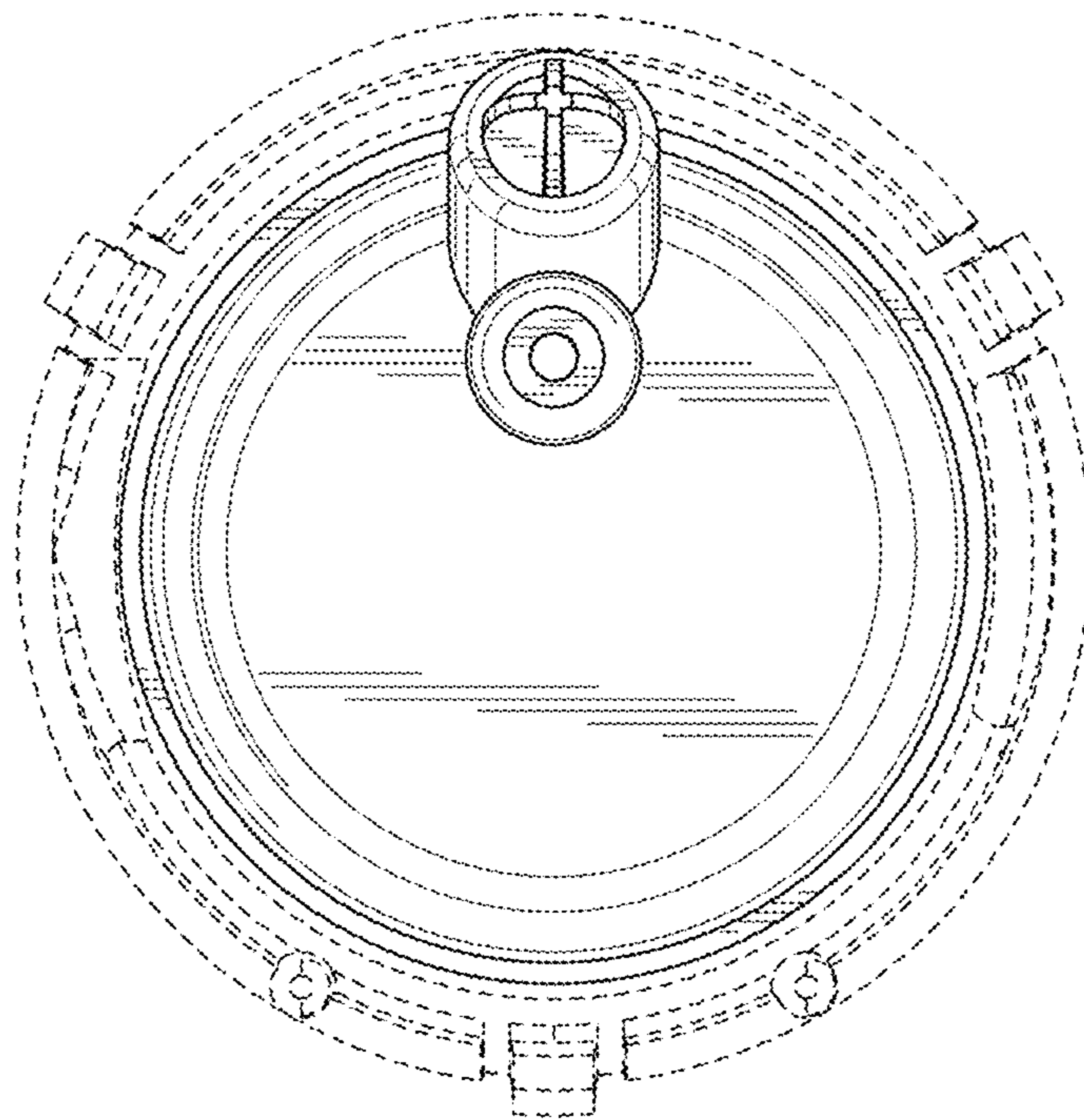


FIG. 7