



US00D812420S

(12) **United States Design Patent**
Munari

(10) **Patent No.:** **US D812,420 S**
(45) **Date of Patent:** **** Mar. 13, 2018**

- (54) **HANDLE FOR COOKWARE**
- (71) Applicant: **LA TERMOPLASTIC F.B.M. S.R.L.**,
Arsago Seprio (VA) (IT)
- (72) Inventor: **Marco Munari**, Cardano Al Campo
(IT)
- (73) Assignee: **LA TERMOPLASTIC F.B.M. S.R.L.**,
Arsago Seprio (VA) (IT)
- (**) Term: **15 Years**
- (21) Appl. No.: **29/579,974**
- (22) Filed: **Oct. 4, 2016**
- (30) **Foreign Application Priority Data**

Apr. 4, 2016 (EM) 003054386

- (51) **LOC (11) Cl.** **07-02**
- (52) **U.S. Cl.**
USPC **D7/395**

- (58) **Field of Classification Search**
USPC D7/354-361, 393-395, 401.2, 664;
D8/107, 300, 303, 307, 313, 321;
D4/138, 129
CPC A47J 45/06; A47J 45/061; A47J 45/62;
A47J 45/08; A47J 45/085; A47J 45/071;
A47J 45/072; B65D 25/2802; B65D
25/2882; B65D 25/2885; B65D 25/2888;
B65D 25/2894; Y10S 220/912
See application file for complete search history.

- (56) **References Cited**
U.S. PATENT DOCUMENTS

D508,631 S * 8/2005 Cuillery D7/395
D519,315 S * 4/2006 Coudurier D7/394

D519,316 S * 4/2006 Plichon D7/395
D528,360 S * 9/2006 Pascal D7/395
D538,589 S * 3/2007 Coudurier D7/395
D584,104 S * 1/2009 Munari D7/393
D649,832 S * 12/2011 Loaiza D7/395
D696,552 S * 12/2013 Rae D7/395
D720,572 S * 1/2015 Dodane D7/395
D741,108 S * 10/2015 Munari D7/395

* cited by examiner

Primary Examiner — Cynthia M Chin
(74) *Attorney, Agent, or Firm* — Hedman & Costigan,
P.C.; James V. Costigan; Kathleen A. Costigan

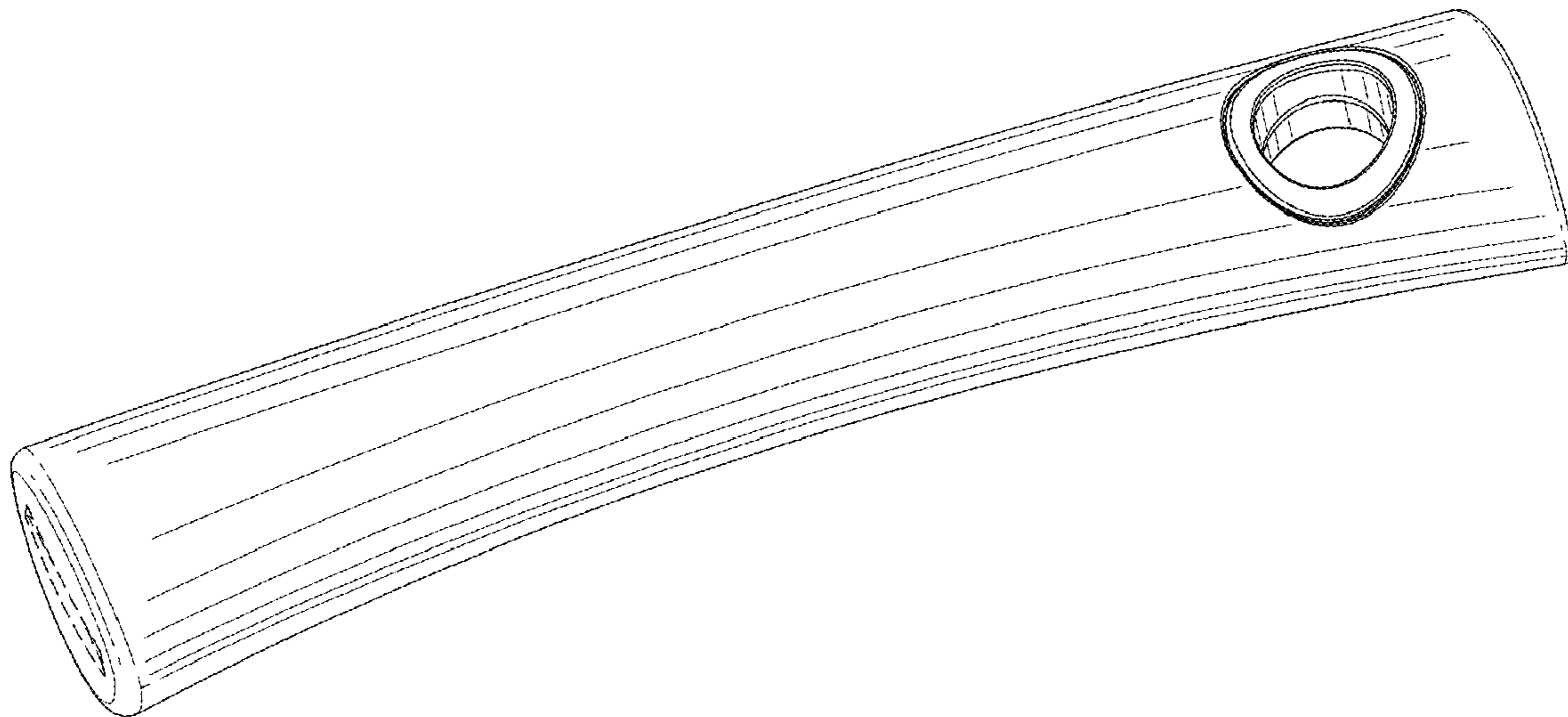
(57) **CLAIM**

I claim the ornamental design for a handle for cookware, as shown and described.

DESCRIPTION

FIG. 1 is a top perspective view of a handle for cookware according to the present invention;
FIG. 2 is a left side elevational view thereof;
FIG. 3 is a right side elevational view thereof;
FIG. 4 is a front elevational view thereof;
FIG. 5 is a rear elevational view thereof;
FIG. 6 is top plan view thereof;
FIG. 7 is a bottom plan view thereof; and,
FIG. 8 is a bottom perspective view thereof.
The portions of the handle for cookware shown in broken lines from no part of the claimed design.

1 Claim, 2 Drawing Sheets



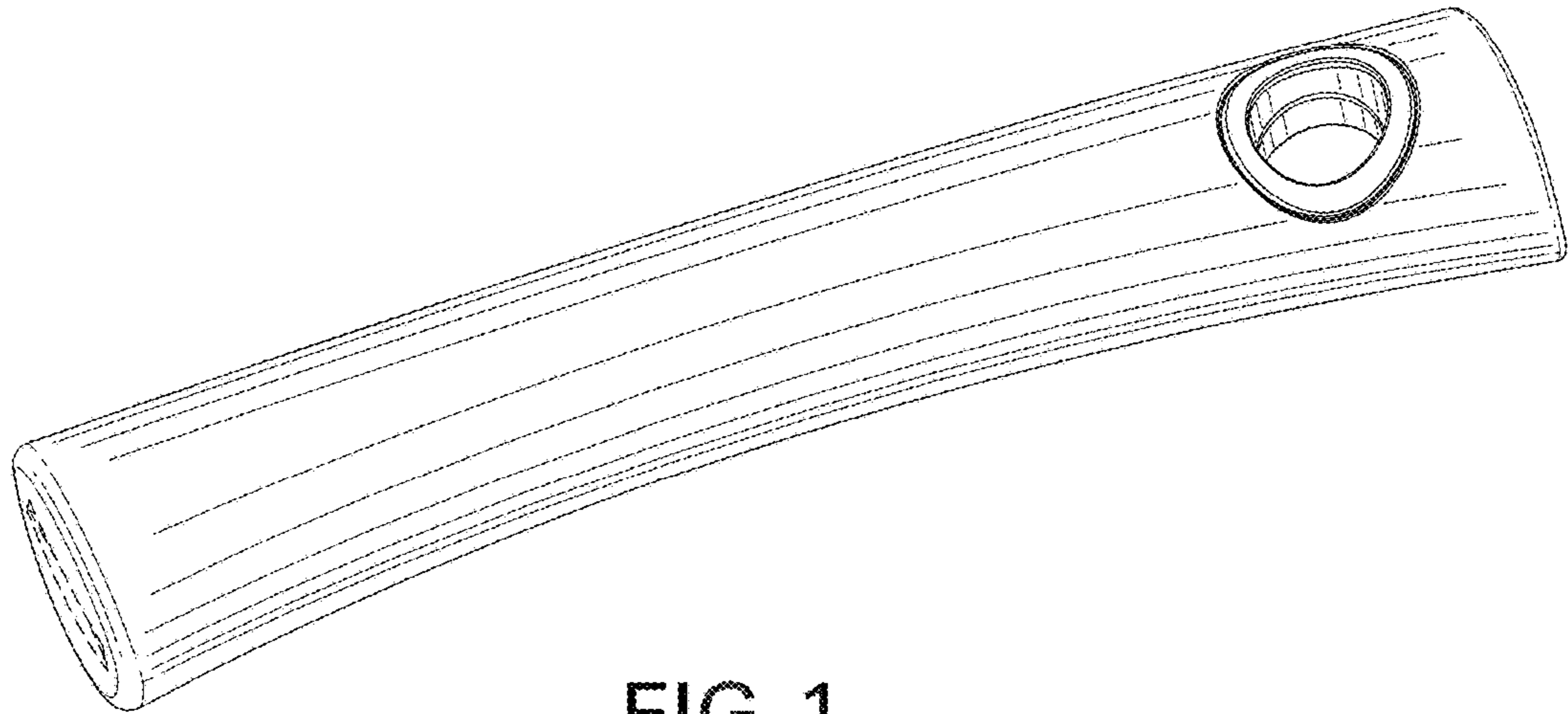


FIG. 1

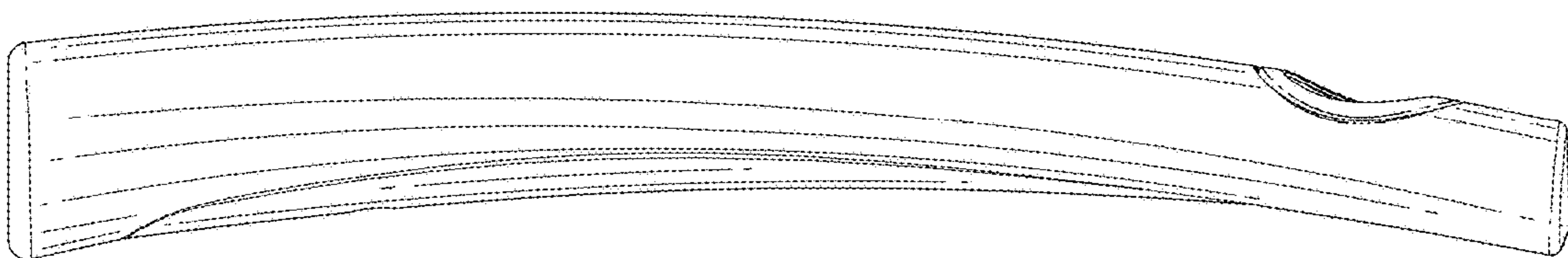


FIG. 2

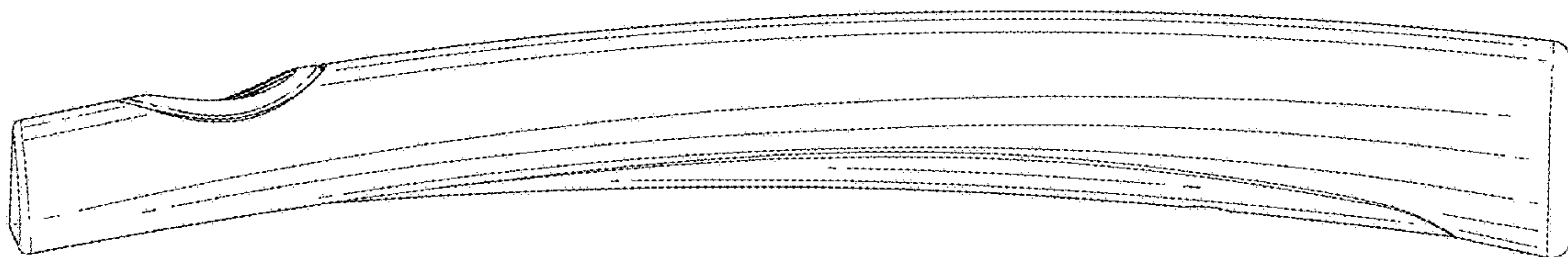


FIG. 3

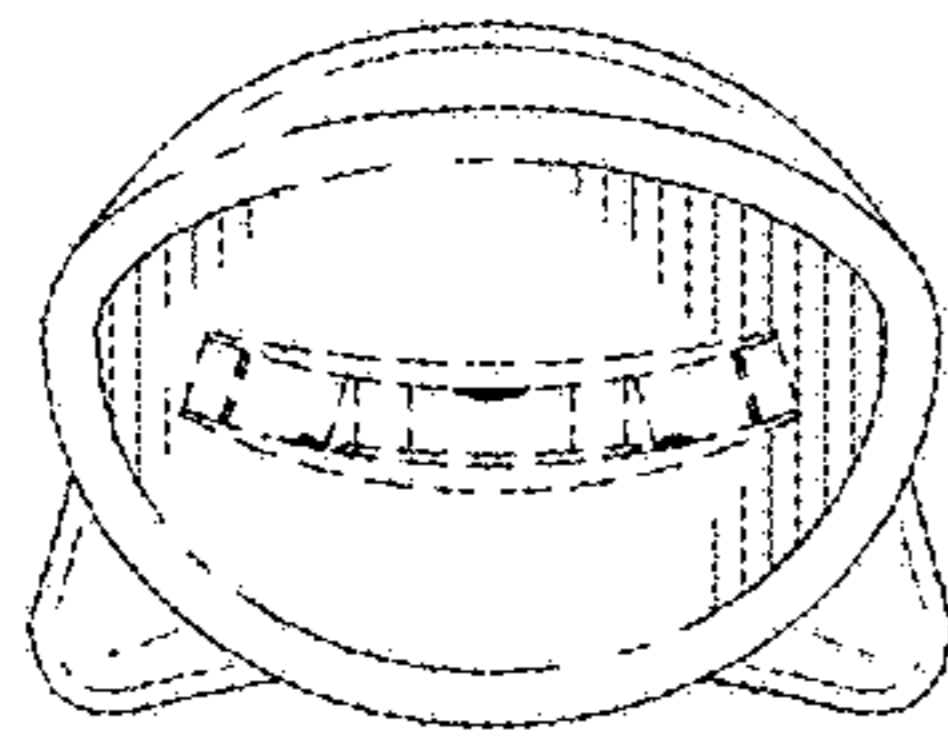


FIG. 4

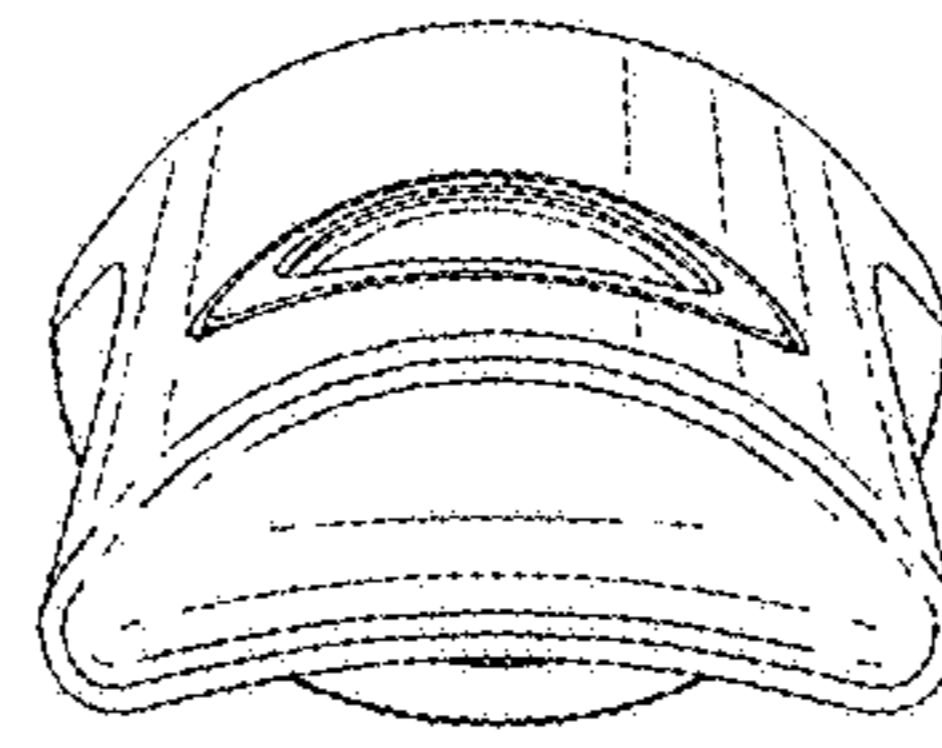


FIG. 5

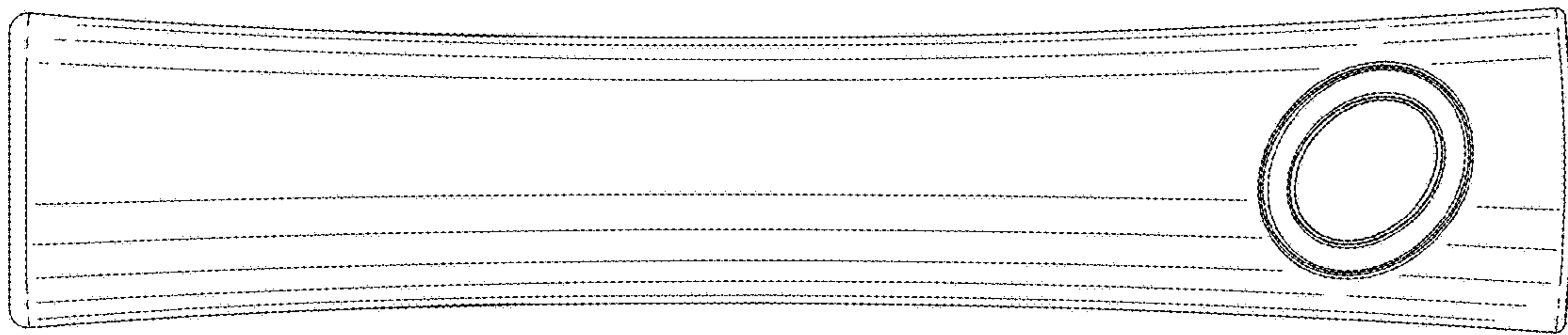


FIG. 6

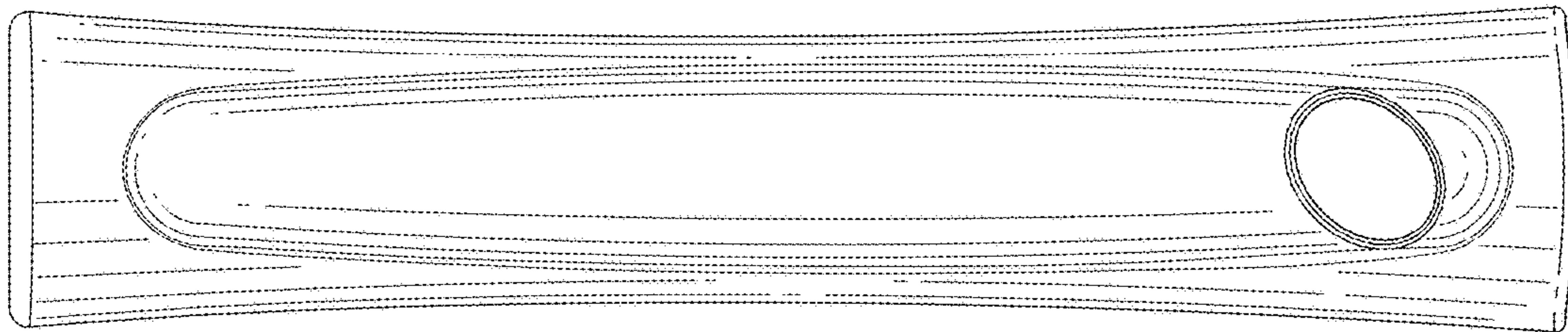


FIG. 7

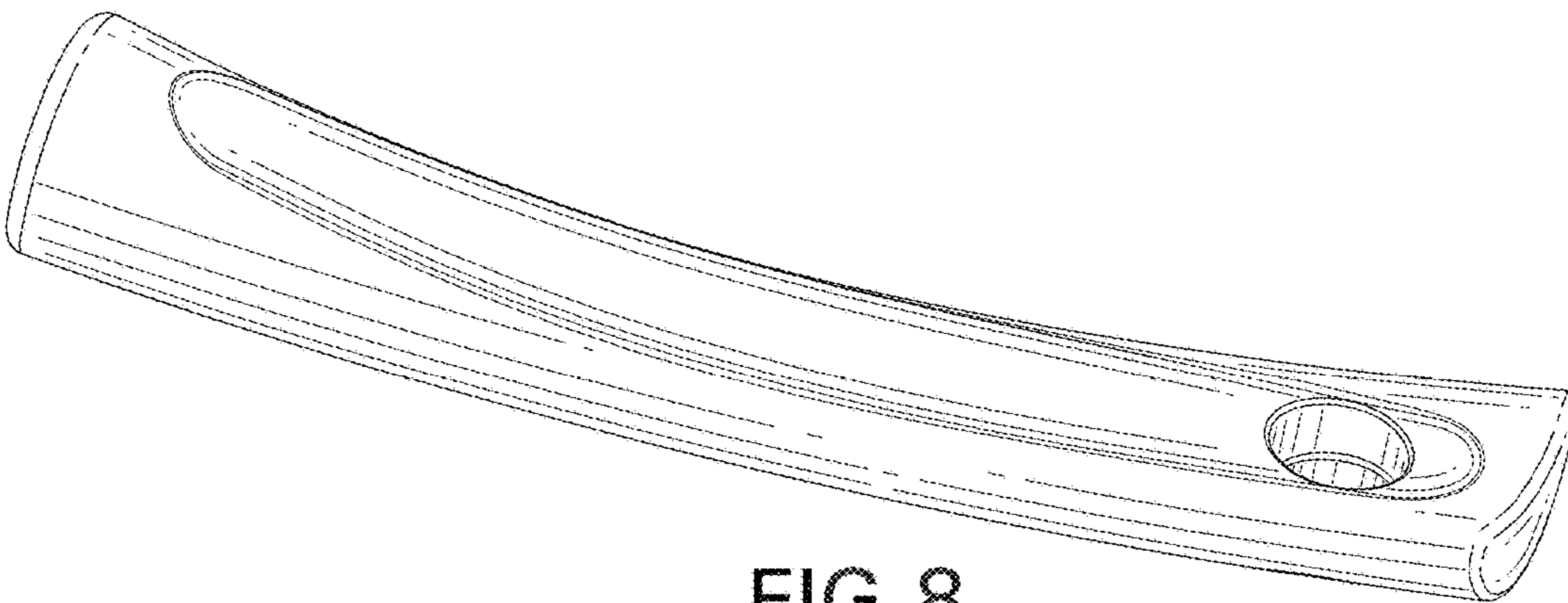


FIG. 8