



US00D812419S

(12) **United States Design Patent** (10) **Patent No.:** **US D812,419 S**  
**Yao** (45) **Date of Patent:** **\*\* Mar. 13, 2018**

(54) **BOTTLE CAP**

(71) Applicant: **Hangzhou Everich Houseware Co., Ltd.**, Hangzhou, Zhejiang (CN)

(72) Inventor: **Huajun Yao**, Zhejiang (CN)

(73) Assignee: **HANGZHOU EVERICH HOUSEWARE CO., LTD.**, Qianjiang CBD Hangzhou, Zhejiang (CN)

(\*\*) Term: **15 Years**

(21) Appl. No.: **29/532,770**

(22) Filed: **Jul. 9, 2015**

(30) **Foreign Application Priority Data**

May 15, 2015 (CN) ..... 2015 3 01447997

(51) **LOC (11) Cl.** ..... **07-01**

(52) **U.S. Cl.**  
USPC ..... **D7/392.1**

(58) **Field of Classification Search**  
USPC ..... D7/391, 392, 392.1, 396.1, 396.2, 397, D7/509, 510, 543, 629; D9/435, 443, D9/447, 449, 516

CPC ..... B65D 2543/0092; B65D 47/122  
See application file for complete search history.

(56) **References Cited**

**U.S. PATENT DOCUMENTS**

- 3,307,752 A \* 3/1967 Anderson ..... B65D 23/108 215/306
- D471,455 S \* 3/2003 Laveault ..... D9/443
- D624,362 S \* 9/2010 Wahl ..... D7/392.1
- D660,487 S \* 5/2012 Wu ..... D26/38
- D700,014 S \* 2/2014 Zeanah ..... D7/510
- D719,445 S \* 12/2014 Caneer ..... D9/447
- D719,780 S \* 12/2014 Sullivan ..... D7/392.1
- D721,276 S \* 1/2015 Herbst ..... D7/396.2

- D748,429 S \* 2/2016 Lv ..... D7/391
- D748,943 S \* 2/2016 Miller ..... D7/392.1
- D793,154 S \* 8/2017 Sorensen ..... D7/392.1
- 2011/0253733 A1 \* 10/2011 Meyers ..... B65D 47/089 220/833
- 2014/0353275 A1 \* 12/2014 Hung ..... B65D 47/305 215/311

**OTHER PUBLICATIONS**

“6 Best Water Bottles for Your Workout: The eco-conscious”. Found online Jun. 9, 2017 at prevention.com. Page dated Nov. 16, 2011. Retrieved from <http://www.prevention.com/fitness/fitness-tips/best-bpa-free-water-bottles-for-your-workout>.\*

“Contigo Autoseal Water Bottle”. Found online Aug. 26, 2015 at amazon.com. Page dated Sep. 4, 2010. Retrieved from [http://www.amazon.com/Contigo-AUTOSEAL-Water-Bottle-Ounces/dp/B003KZKE1C/ref=cm\\_cr\\_pr\\_product\\_top?ie=UTF8](http://www.amazon.com/Contigo-AUTOSEAL-Water-Bottle-Ounces/dp/B003KZKE1C/ref=cm_cr_pr_product_top?ie=UTF8).\*

(Continued)

*Primary Examiner* — Robert M. Spear

*Assistant Examiner* — Kendra Leslie Hamilton

(74) *Attorney, Agent, or Firm* — Global IP Services; Tianhua Ga

(57) **CLAIM**

The ornamental design for a bottle cap, as shown and described.

**DESCRIPTION**

FIG. 1 is a front elevation view of a bottle cap showing my new design;

FIG. 2 is a rear elevation view thereof;

FIG. 3 is a left side elevation view thereof;

FIG. 4 is a right side elevation view thereof;

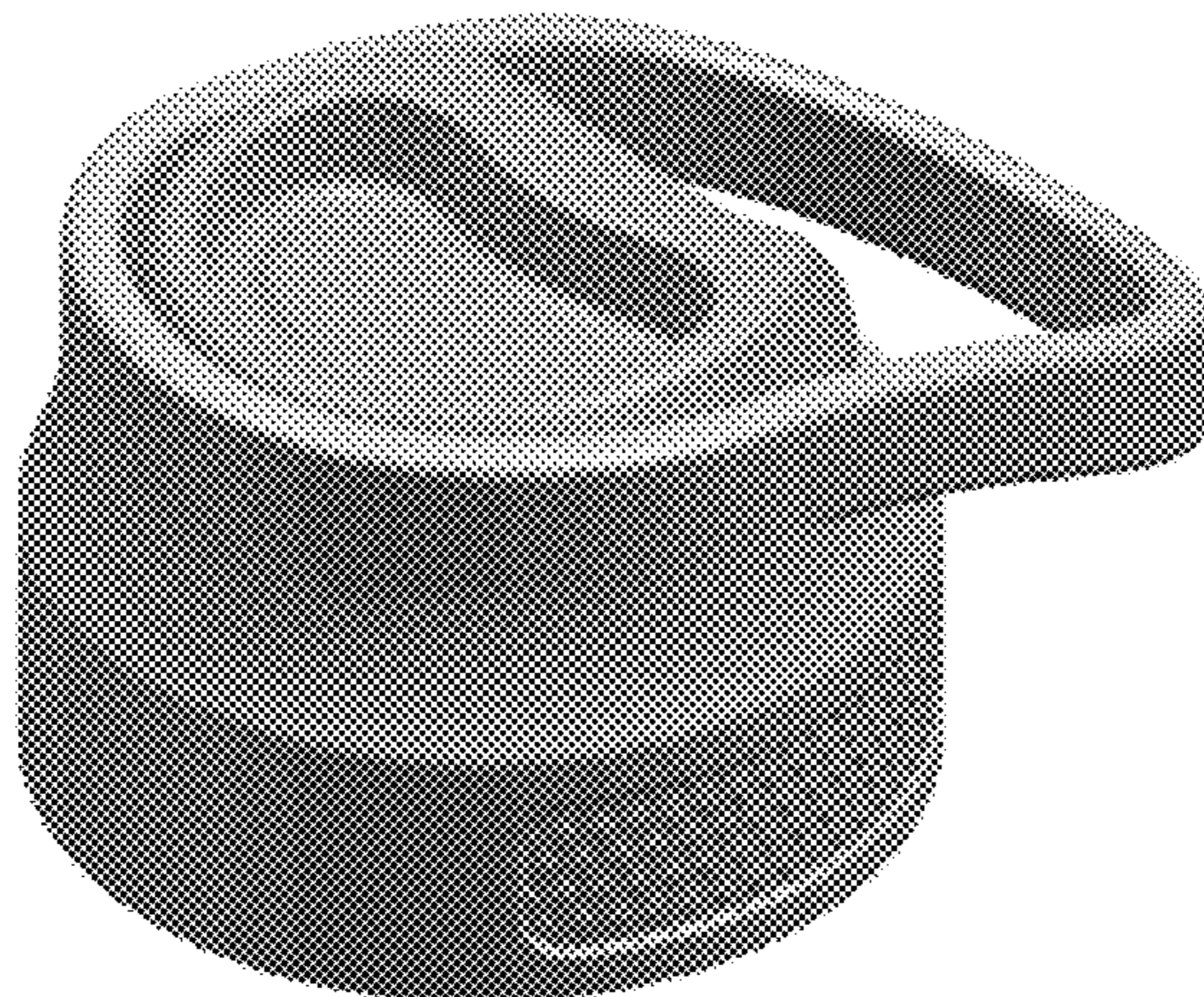
FIG. 5 is a top plan view thereof;

FIG. 6 is a bottom plan view thereof;

FIG. 7 is a top front right perspective view thereof; and,

FIG. 8 is a bottom rear right perspective view thereof.

**1 Claim, 6 Drawing Sheets**



(56)

**References Cited**

OTHER PUBLICATIONS

“Salute Tritan Bottle—Flip Straw”. Found online Oct. 27, 2016 at waterbottles.com. Page dated Oct. 10, 2014. Retrieved from <http://web.archive.org/web/20141010061310/http://waterbottles.com/salute-24-oz-tritan-bottle-flip-straw-lid>.\*

“Sketch-a-Day: Water Bottles”. Found online Jun. 21, 2017 at sketch-a-day.com. Page dated Mar. 4, 2010. Retrieved from <http://www.sketch-a-day.com/posts/sketch-a-day-95-water-bottles/>.\*

\* cited by examiner

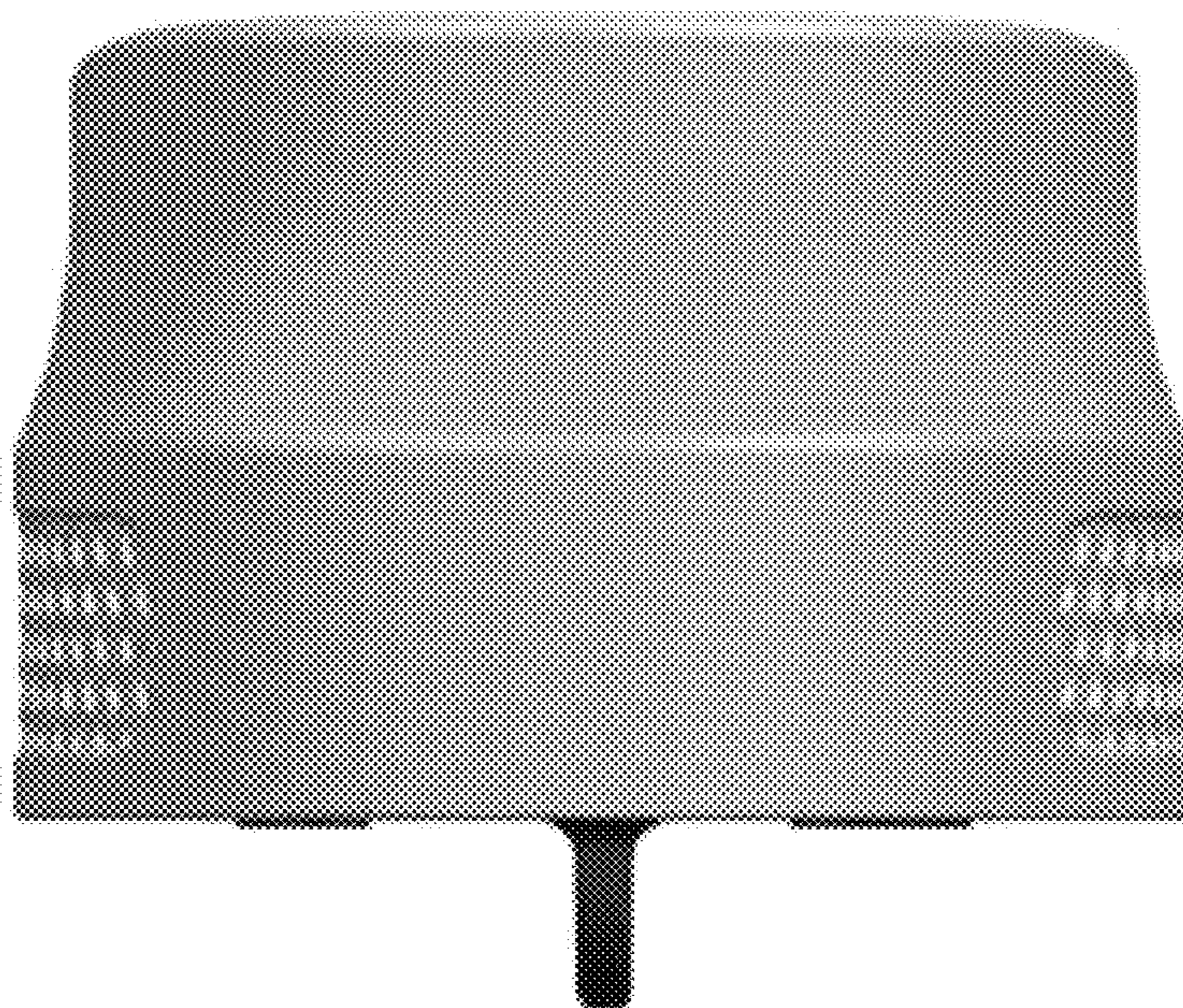


Fig. 1



Fig. 2

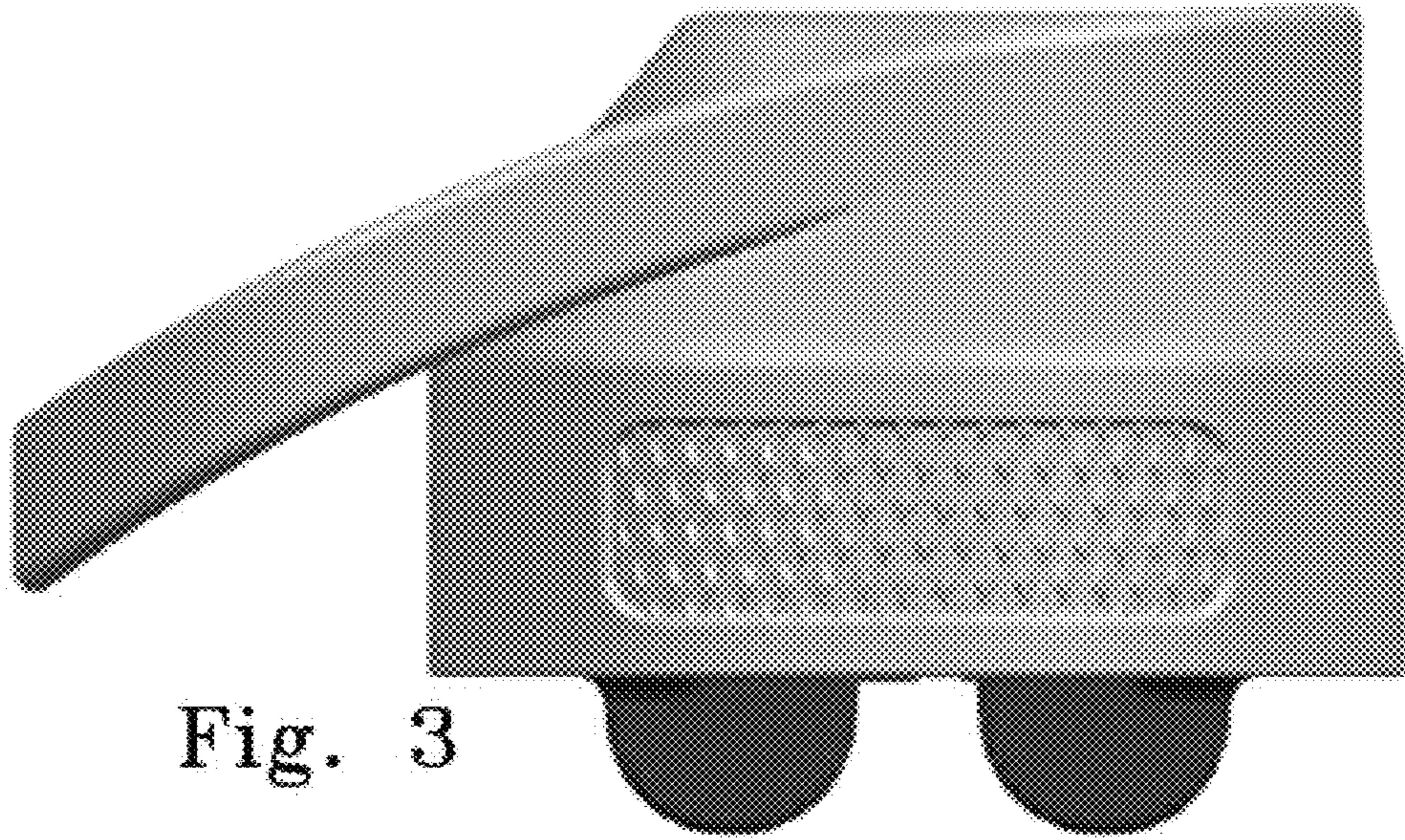


Fig. 3

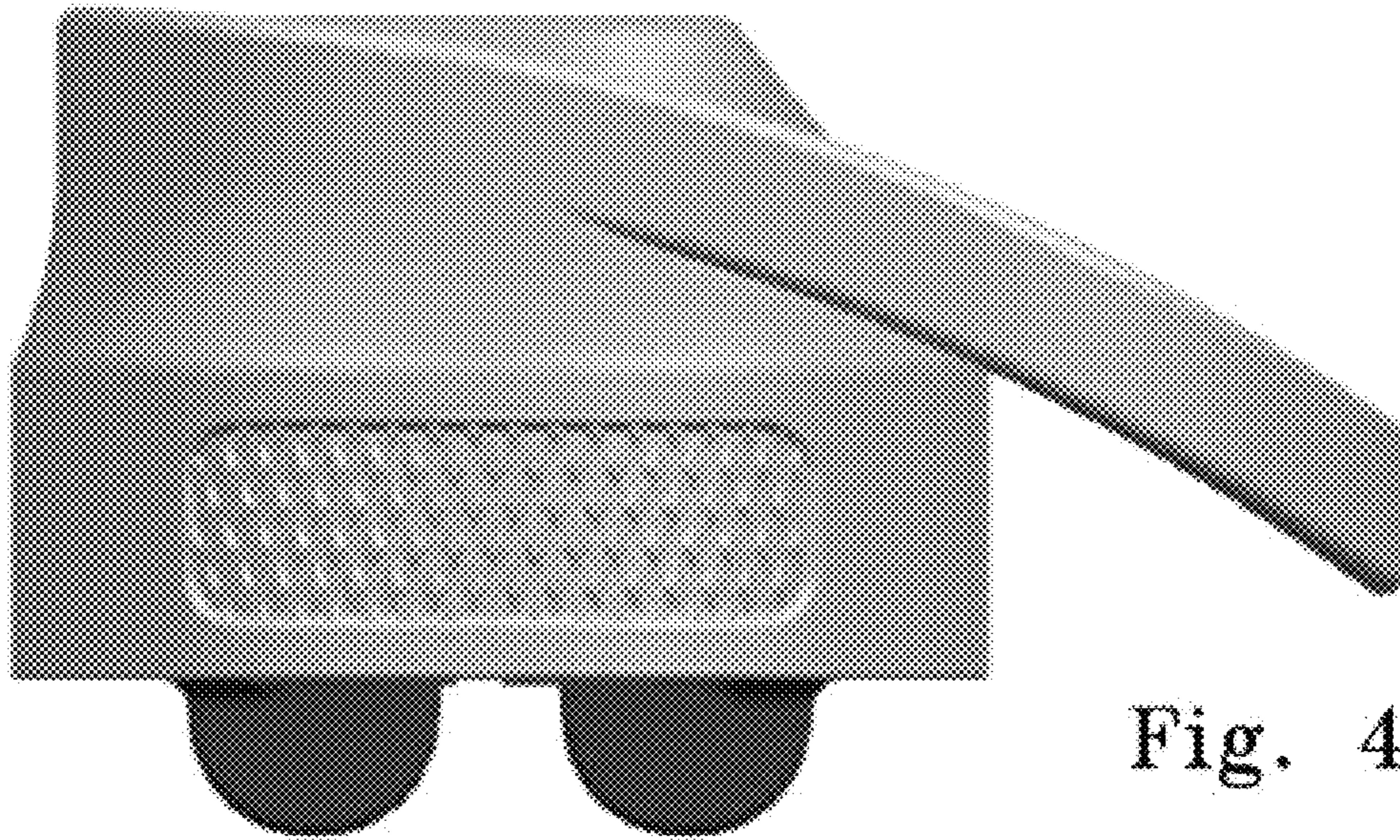


Fig. 4



Fig. 5

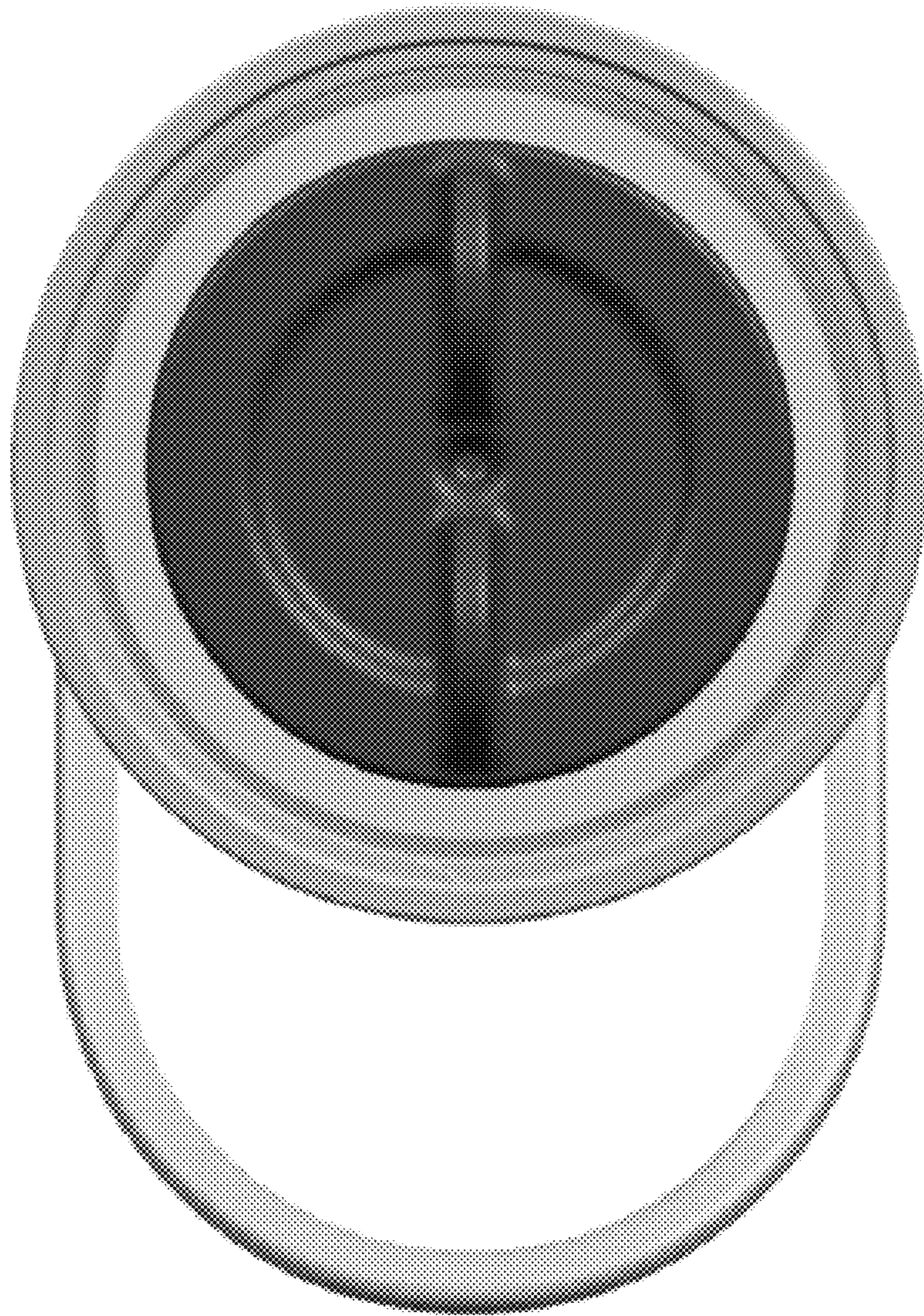


Fig. 6

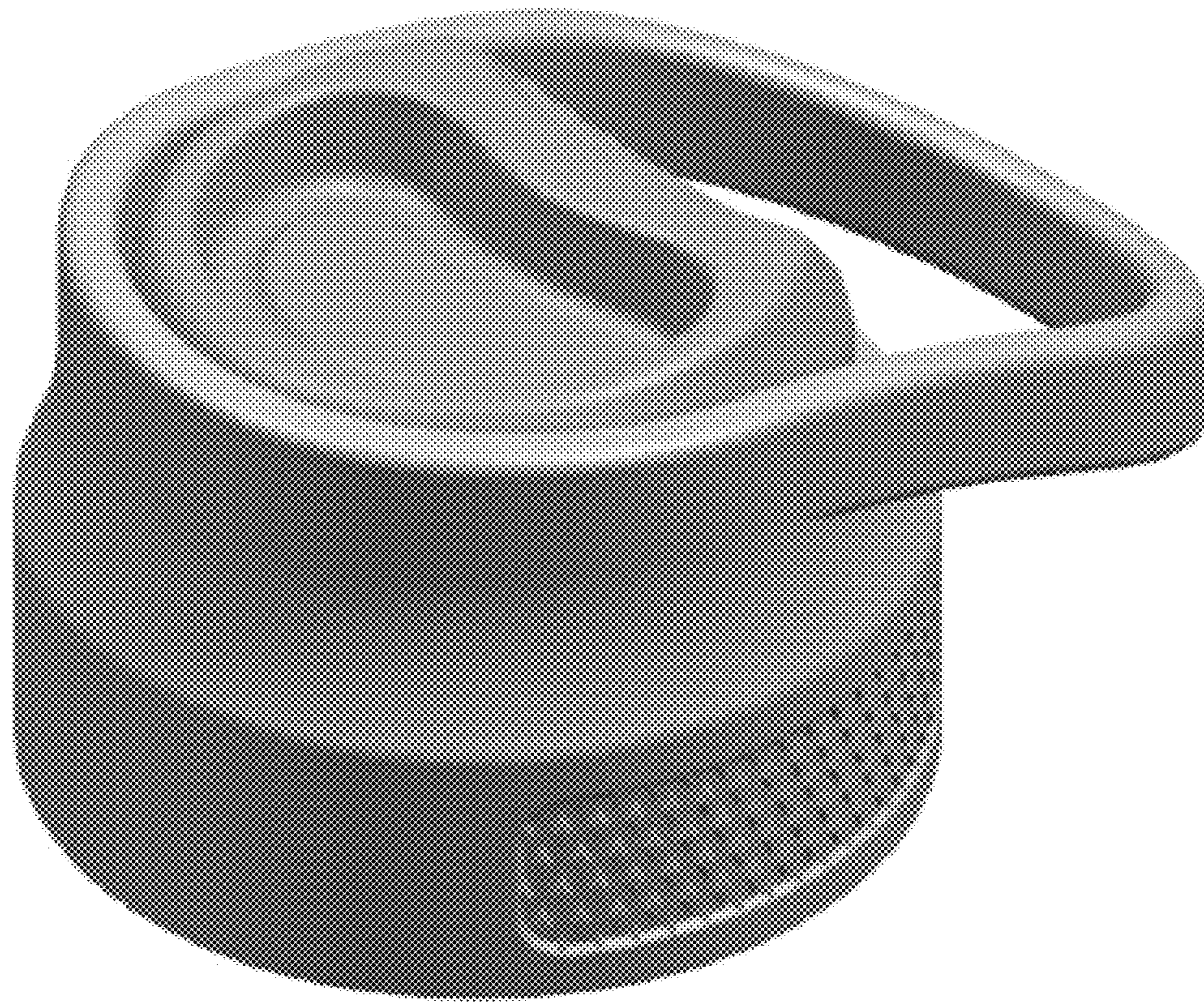


Fig. 7



Fig. 8