



US00D812418S

(12) **United States Design Patent**  
**Dennis et al.**

(10) **Patent No.:** **US D812,418 S**  
(45) **Date of Patent:** **\*\* Mar. 13, 2018**

- (54) **HINGED CHAFER COVER**
- (71) Applicant: **Small Four Enterprises, LLC**,  
Lawrenceville, GA (US)
- (72) Inventors: **Bryan Dennis**, Lawrenceville, GA  
(US); **Lloyd Dennis**, Lawrenceville, NY  
(US); **Carl Dennis**, Lawrenceville, GA  
(US); **Barbara Duncan**, Lawrenceville,  
GA (US)
- (73) Assignee: **Small Four Enterprises, LLC**,  
Lawrenceville, GA (US)

D349,646 S *	8/1994	Dickinson	.....	D3/302
D368,161 S *	3/1996	Miller	.....	D3/323
D382,112 S *	8/1997	Egan	.....	D3/273
D391,763 S *	3/1998	Wolff	.....	D3/323
D421,678 S *	3/2000	Levy	.....	D3/279
6,050,442 A *	4/2000	Wysocki	.....	B65F 1/004 220/524
D566,370 S *	4/2008	Wentz	.....	D34/11
7,762,827 B2 *	7/2010	Liu	.....	H01R 12/7005 439/331
D730,343 S *	5/2015	Hemesath	.....	D14/250
D790,337 S *	6/2017	Sofy	.....	D3/232
2012/0216684 A1 *	8/2012	Gregory	.....	A47J 36/06 99/357

(\*\*) Term: **15 Years**

\* cited by examiner

(21) Appl. No.: **29/599,041**

*Primary Examiner* — Ricky Pham

(22) Filed: **Mar. 30, 2017**

(74) *Attorney, Agent, or Firm* — Bond Schoeneck &  
King, PLLC; David Nocilly

(51) **LOC (11) Cl.** ..... **07-02**

(52) **U.S. Cl.**  
USPC ..... **D7/391; D7/355; D7/366**

(58) **Field of Classification Search**  
USPC ..... D3/273, 279, 302, 323; D7/354–361,  
D7/391, 392, 392.1, 393, 397, 538, 629;  
D9/414, 424–432, 435, 451–452;  
D14/250

(57) **CLAIM**

The ornamental design for a hinged chaffer cover, as shown  
and described.

CPC ..... A47J 36/027; A47J 36/06; A47J 37/10;  
A47J 37/101; B65D 21/0209; B65D  
43/00; B65D 43/02; B65D 43/022; B65D  
43/161; B65D 43/162; B65D 45/00;  
B65D 45/16; B65D 45/18; B65D 51/16;  
B65D 51/1683; B65D 51/1688; B65D  
51/1694; B65F 1/004; B65F 1/1615;  
H01R 12/7005

**DESCRIPTION**

FIG. 1 is a perspective view of a hinged chaffer cover  
showing our new design;  
FIG. 2 is a from view thereof;  
FIG. 3 is a rear view thereof;  
FIG. 4 is a left side view thereof;  
FIG. 5 is a right side view thereof;  
FIG. 6 is a top plan thereof; and,  
FIG. 7 is a bottom plan thereof.  
The broken lines shown in the drawings are for illustrative  
purposes only and form no part of the claimed design.

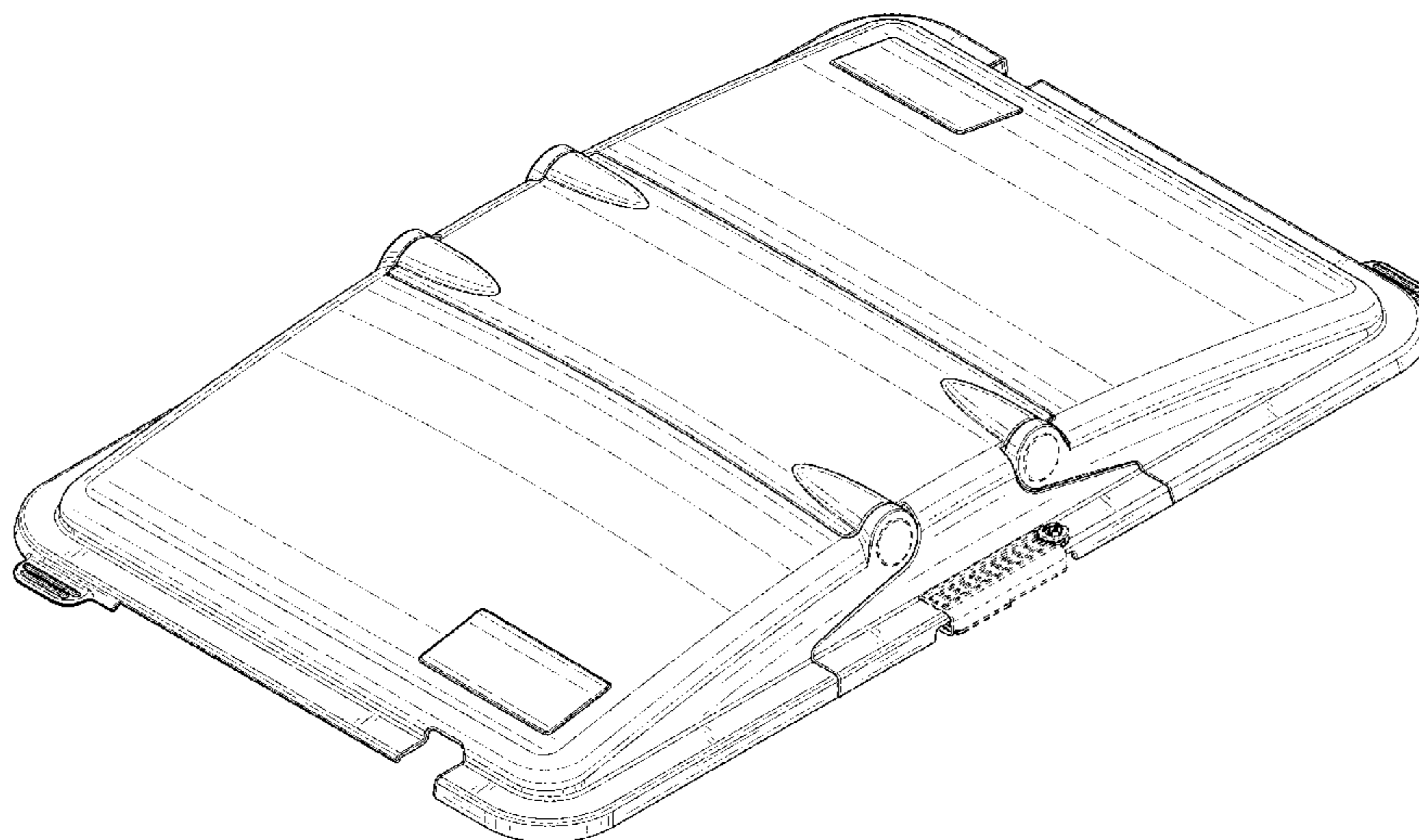
See application file for complete search history.

(56) **References Cited**

**U.S. PATENT DOCUMENTS**

D259,690 S *	6/1981	Buchsteiner nee Fetzer	.....	D7/502
D330,329 S *	10/1992	Brightbill	.....	D3/302

**1 Claim, 5 Drawing Sheets**



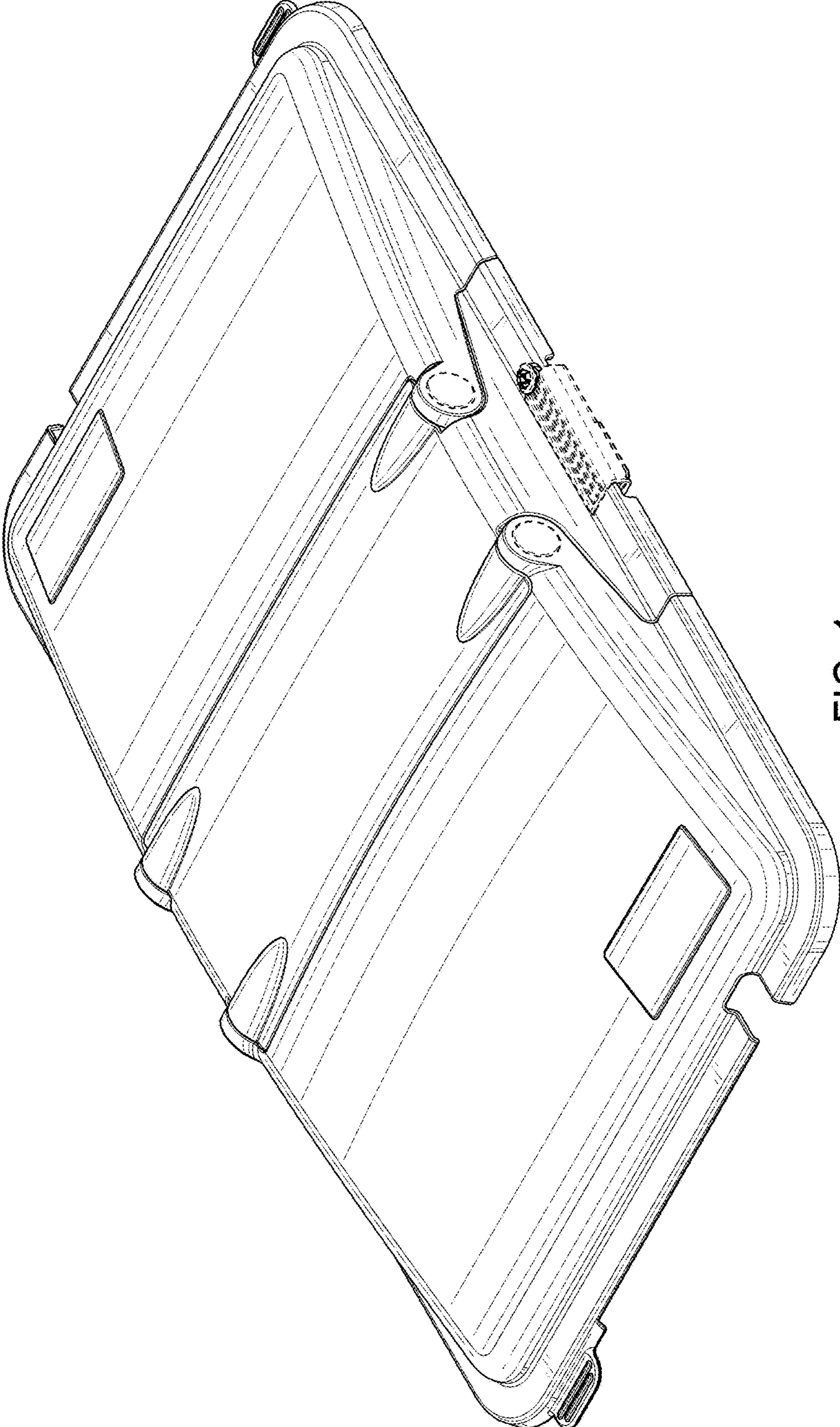


FIG. 1



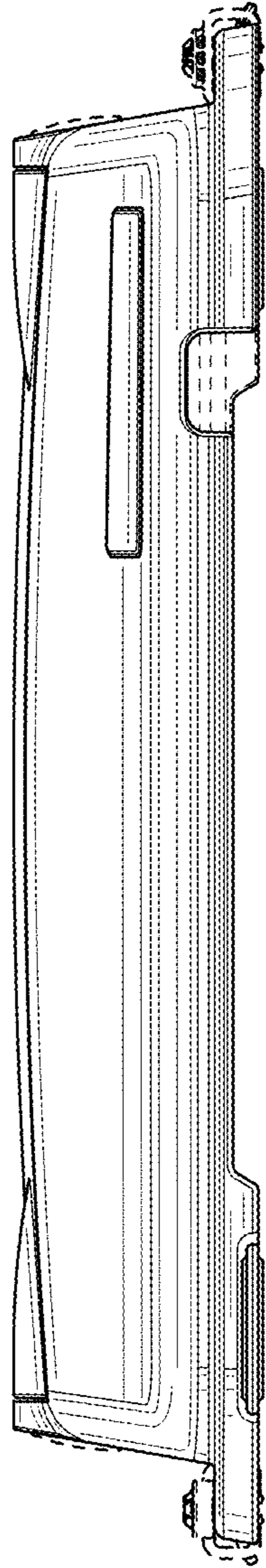


FIG. 2

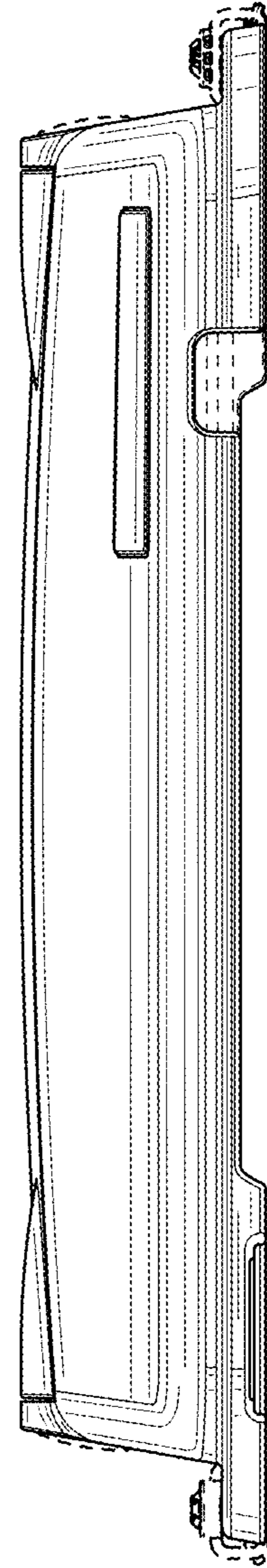


FIG. 3

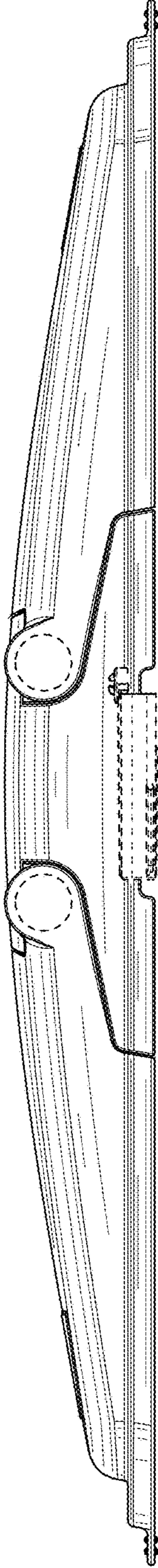


FIG. 4

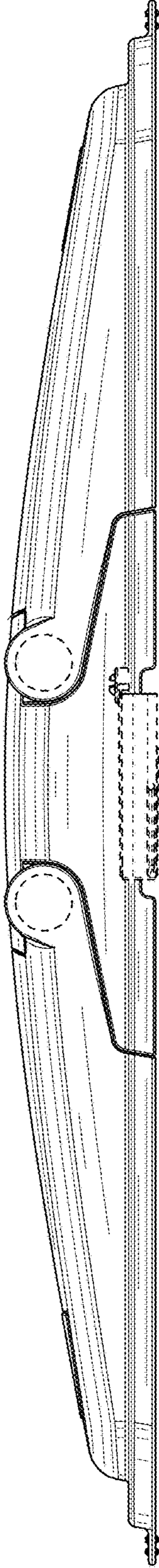


FIG. 5

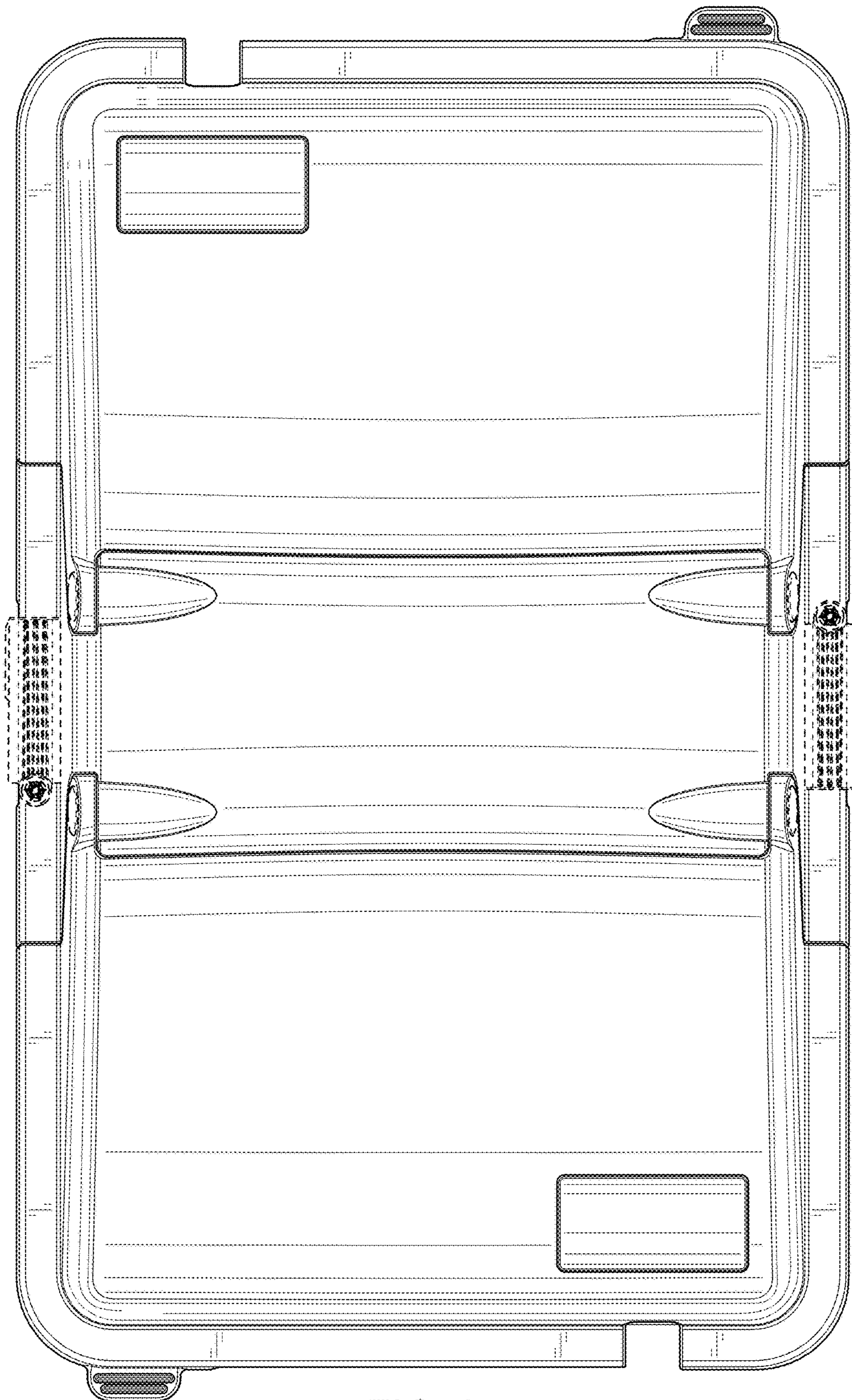


FIG. 6



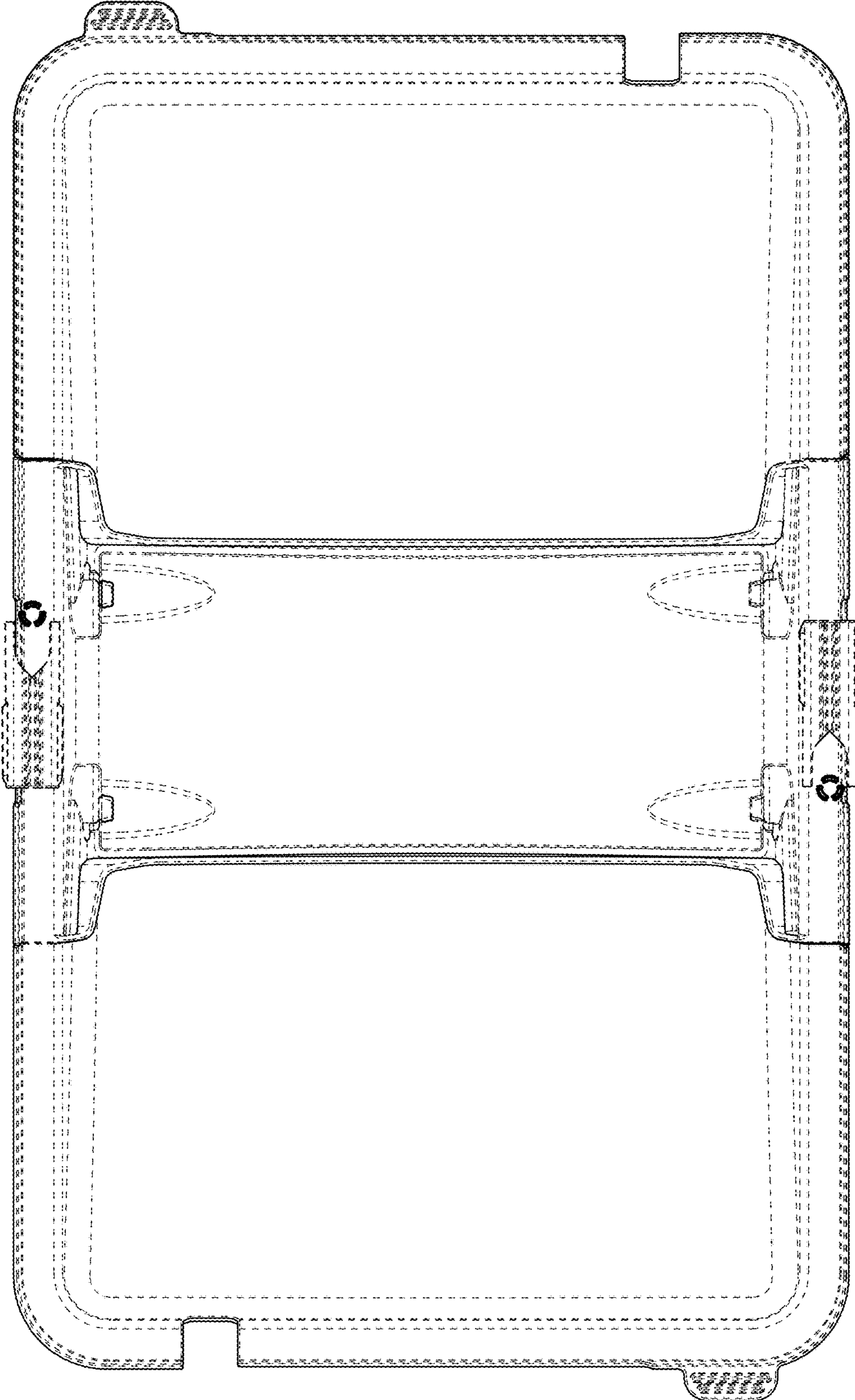


FIG. 7