



US00D812416S

(12) **United States Design Patent**
Carlson

(10) **Patent No.:** **US D812,416 S**
(45) **Date of Patent:** **** Mar. 13, 2018**

(54) **FOOD PROCESSOR**

(71) Applicant: **Hamilton Beach Brands, Inc.**, Glen Allen, VA (US)

(72) Inventor: **Drew Carlson**, Henrico, VA (US)

(73) Assignee: **Hamilton Beach Brands, Inc.**, Glen Allen, VA (US)

(**) Term: **15 Years**

(21) Appl. No.: **29/556,980**

(22) Filed: **Mar. 4, 2016**

(51) **LOC (11) Cl.** **31-00**

(52) **U.S. Cl.**
USPC **D7/384**

(58) **Field of Classification Search**
USPC D7/332-334, 352-355, 357, 359-360,
D7/362-365, 367-368, 372, 376-378,
D7/381-384, 386, 402, 407, 412, 602,
D7/605, 611, 629, 669; D9/420,
D9/424-426, 503-504, 643, 756-757,
D9/761-762

CPC .. A21B 3/13; A21B 5/023; A47J 27/60; A47J
27/62; A47J 3704/06; A47J 3704/067;
A47J 3704/0605; A47J 3704/0611; A47J
3704/0623; A47J 3704/0629; A47J
3704/0676; A47J 2037/06; A47J
2037/0611; F24C 15/10; F24C 15/102;
H05B 6/02; H05B 6/062

See application file for complete search history.

(56) **References Cited**

U.S. PATENT DOCUMENTS

D502,842 S *	3/2005	Hallar	D7/384
D530,565 S *	10/2006	Grcic	D7/378
D539,080 S *	3/2007	Zhiwen	D7/384
D547,601 S	7/2007	Ting et al.	
D563,154 S *	3/2008	Comstock	D7/378
D580,216 S *	11/2008	Ryan	D7/384
D587,064 S *	2/2009	Mark	D7/384

D642,860 S *	8/2011	Tse	D7/376
D644,480 S *	9/2011	Czach	D7/376
D650,229 S *	12/2011	Hensel	D7/376
D667,683 S *	9/2012	Czach	D7/376
D670,531 S	11/2012	Carlson	
D683,180 S	5/2013	Carlson	
D702,999 S *	4/2014	Audette	D7/376
D719,779 S	12/2014	Vu et al.	

(Continued)

FOREIGN PATENT DOCUMENTS

CN 204016079 U * 12/2014

OTHER PUBLICATIONS

Stack & Snap™ Compact Food Processor, posted at Hamiltonbeach.com, posted on © 2017, site visited Mar. 29, 2017, <<https://hamiltonbeach.com/stack-and-snap-compact-food-processor-70510>>.*

(Continued)

Primary Examiner — Barbara Fox
Assistant Examiner — Messina L Smith

(74) *Attorney, Agent, or Firm* — Alexander D. Raring

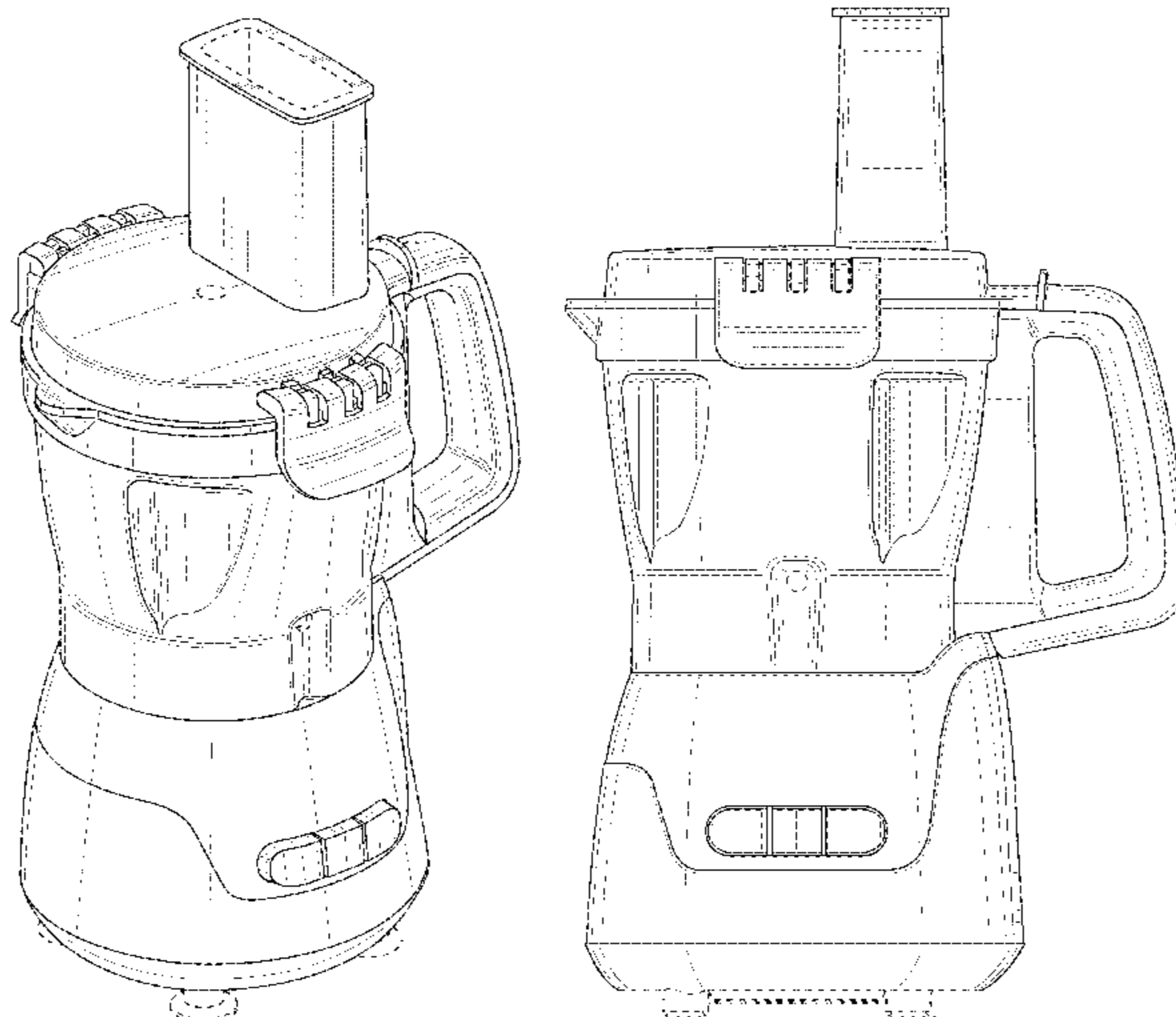
(57) **CLAIM**

The ornamental design for a food processor, as shown and described.

DESCRIPTION

FIG. 1 is a top, front and right perspective view of a food processor showing the new design;
FIG. 2 is front view thereof;
FIG. 3 is a rear view thereof;
FIG. 4 is a left side view thereof;
FIG. 5 is a right side view thereof;
FIG. 6 is a top view thereof; and,
FIG. 7 is a bottom view thereof.
The broken lines in the drawings illustrate portions of the food processor that form no part of the claimed design.

1 Claim, 7 Drawing Sheets



(56)

References Cited

U.S. PATENT DOCUMENTS

D746,630 S * 1/2016 Ji D7/376
D758,787 S * 6/2016 Ou D7/376
2005/0194484 A1* 9/2005 Starr A47J 43/0727
241/285.2
2017/0080591 A1* 3/2017 Beber B26D 7/2628

OTHER PUBLICATIONS

Hamilton Beach 70510 4 Cup Stack & Snap Compact Food Processor, posted at Amazon.com, posted on Aug. 24, 2016, site visited Mar. 29, 2017, <<https://www.amazon.com/Hamilton-Beach-70510-Compact-Processor/dp/B01KNZPT52>>.*

* cited by examiner

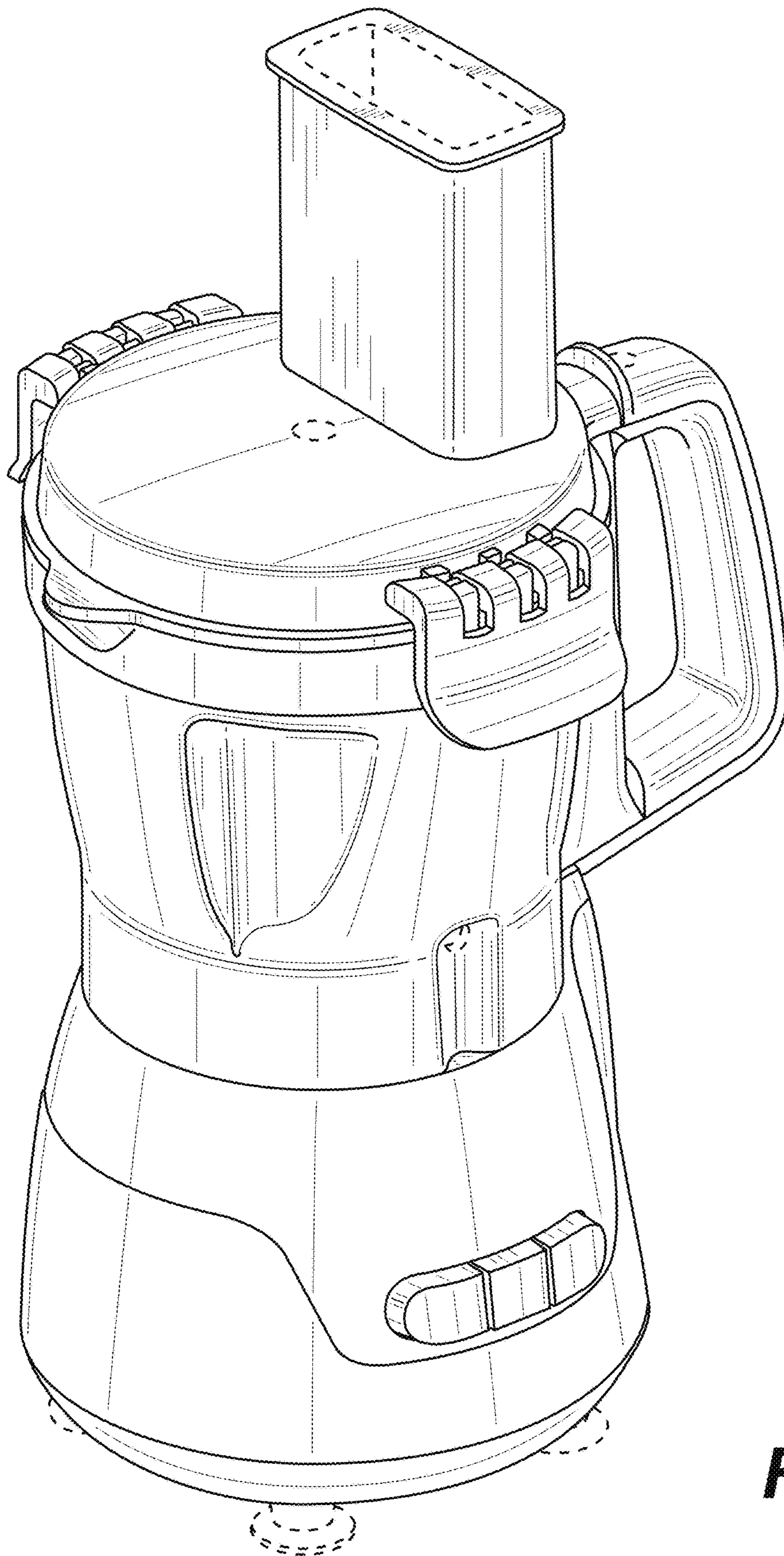


FIG. 1

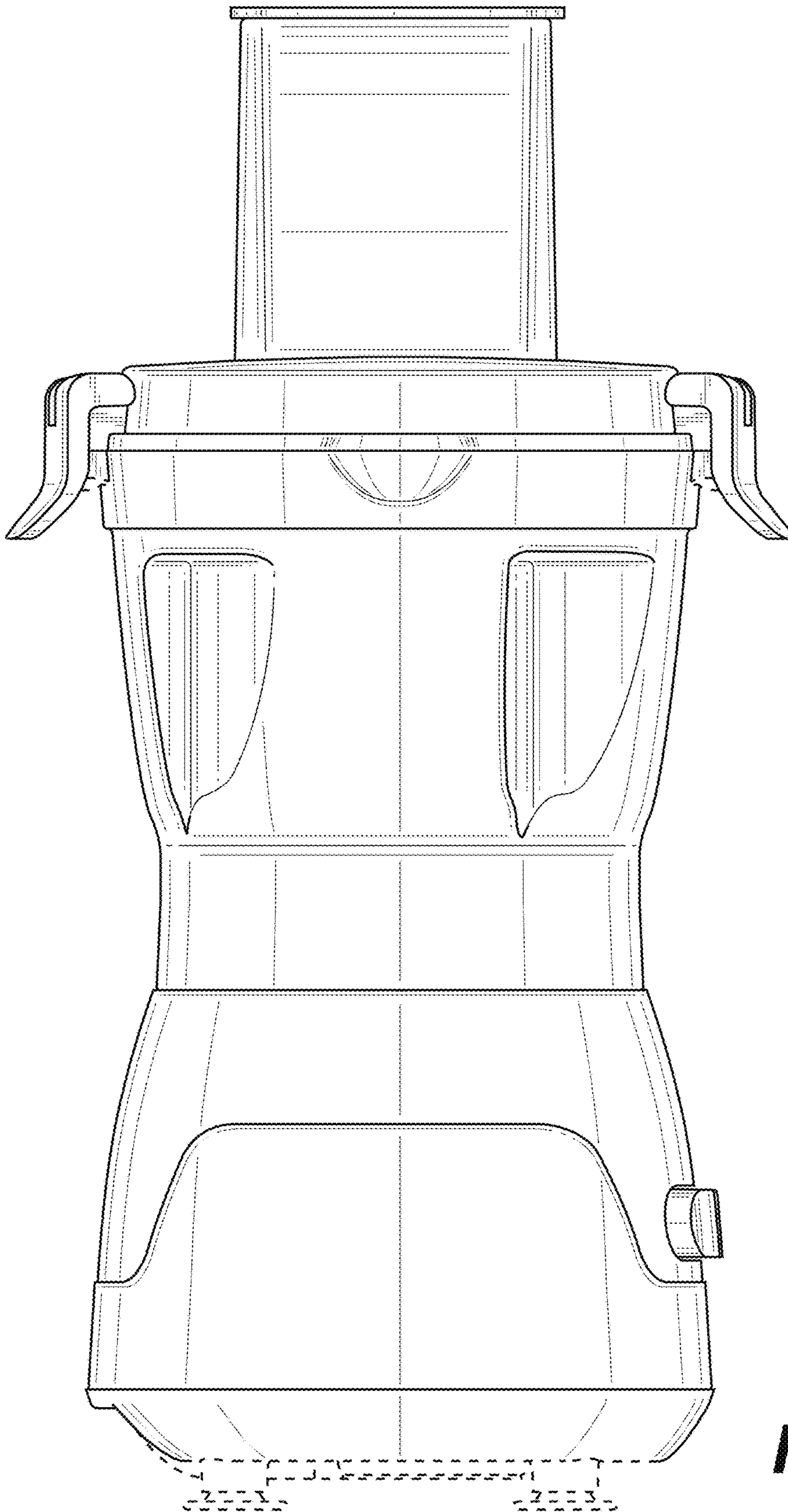


FIG. 2

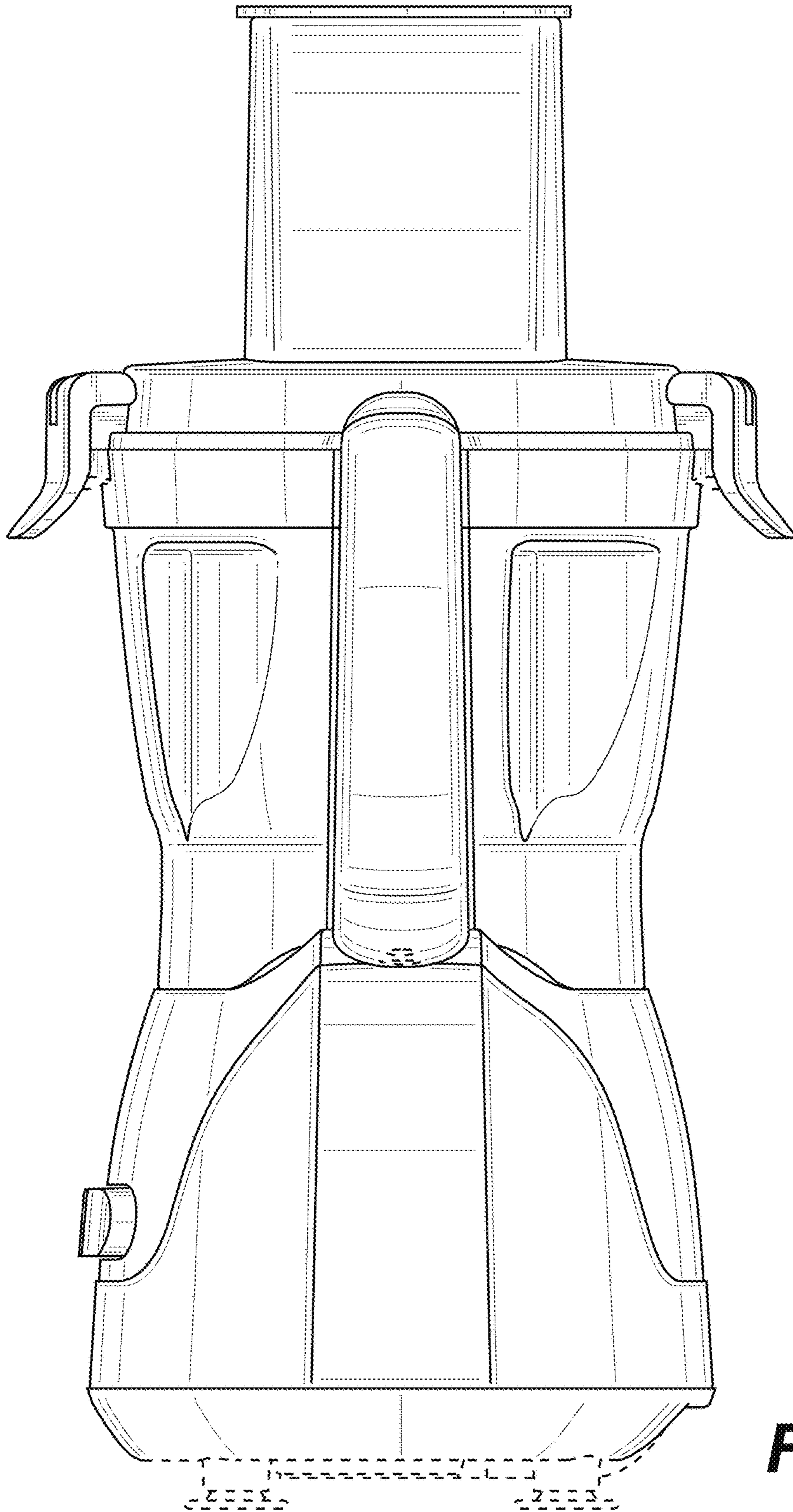


FIG. 3

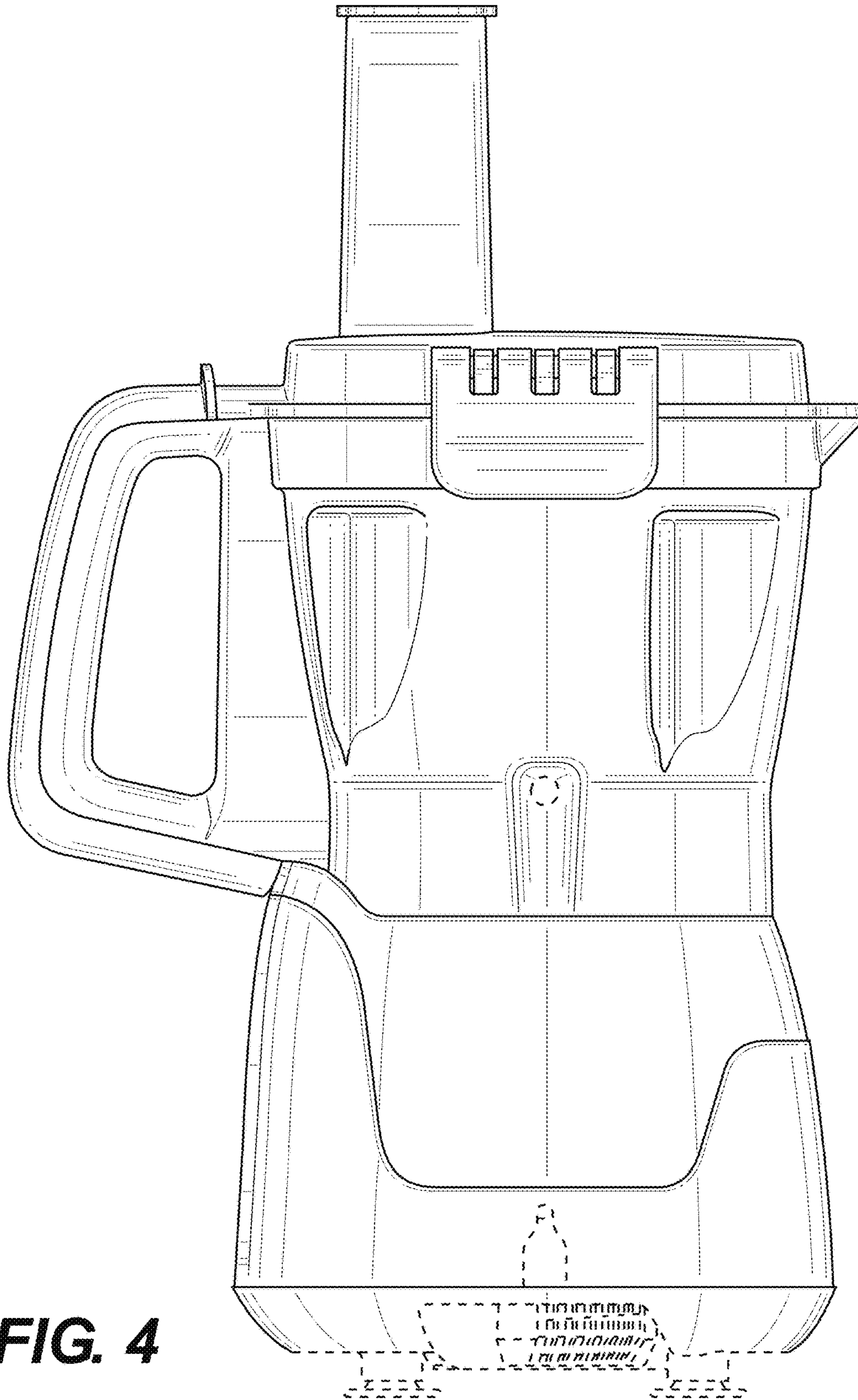


FIG. 4

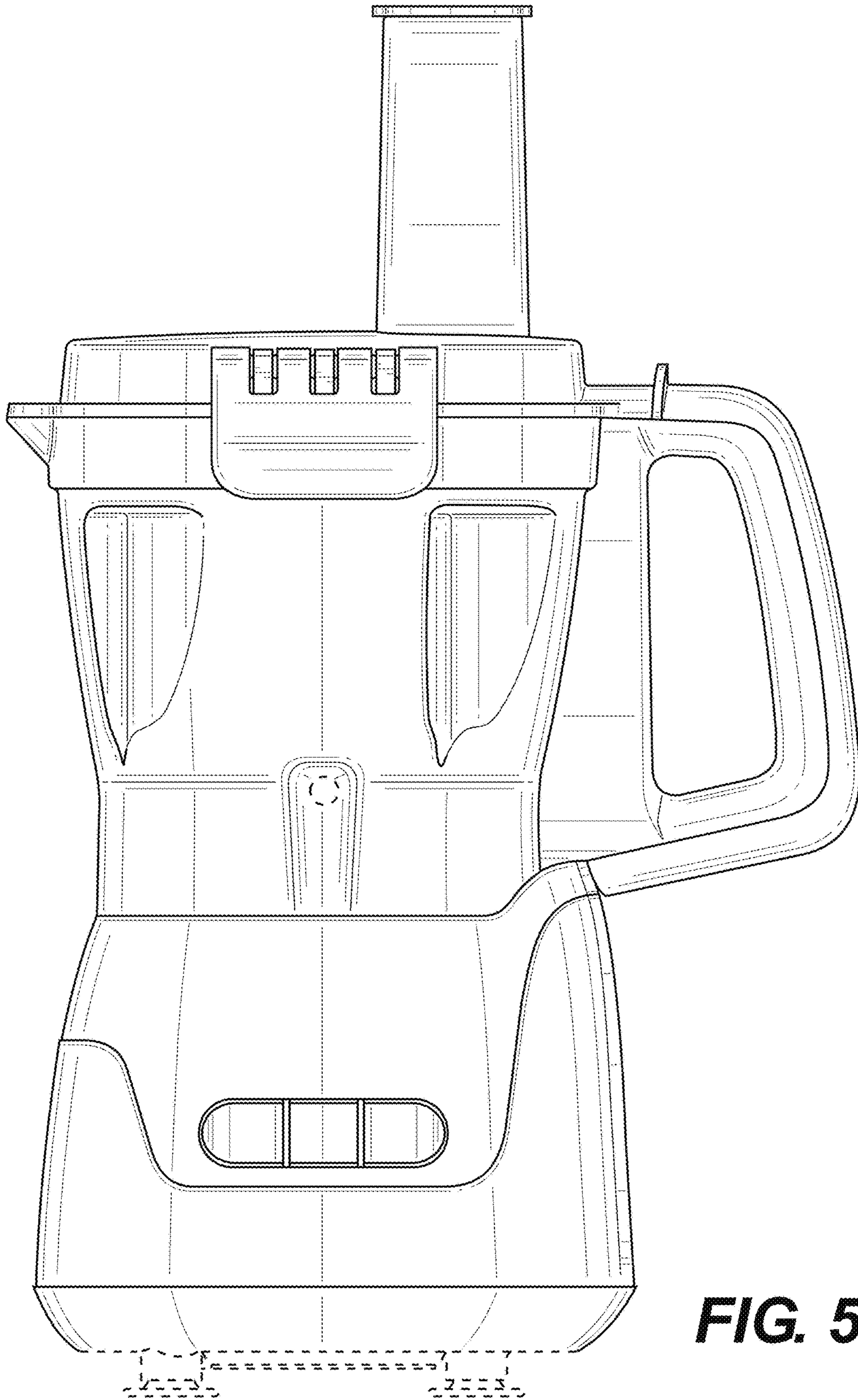


FIG. 5

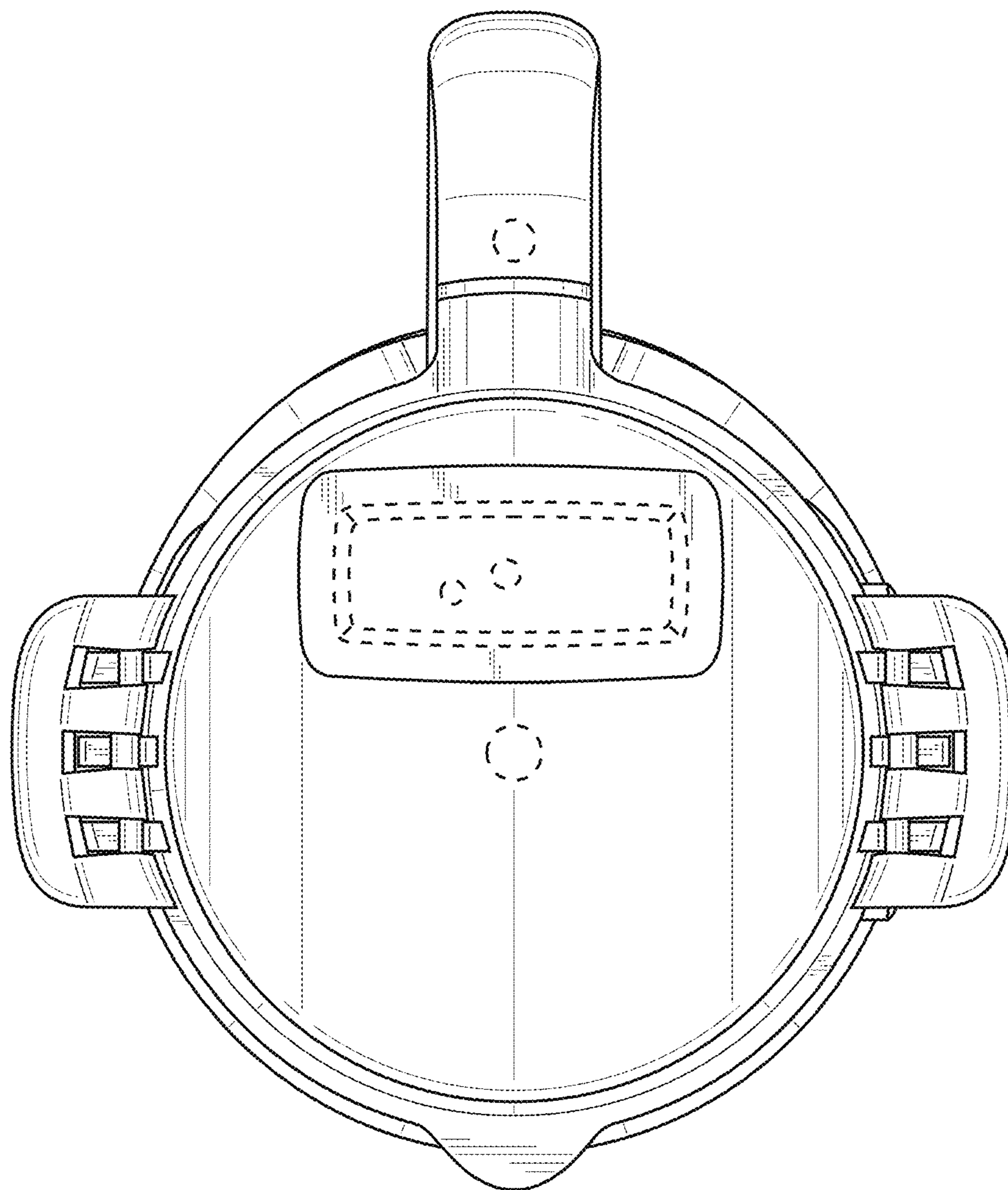


FIG. 6

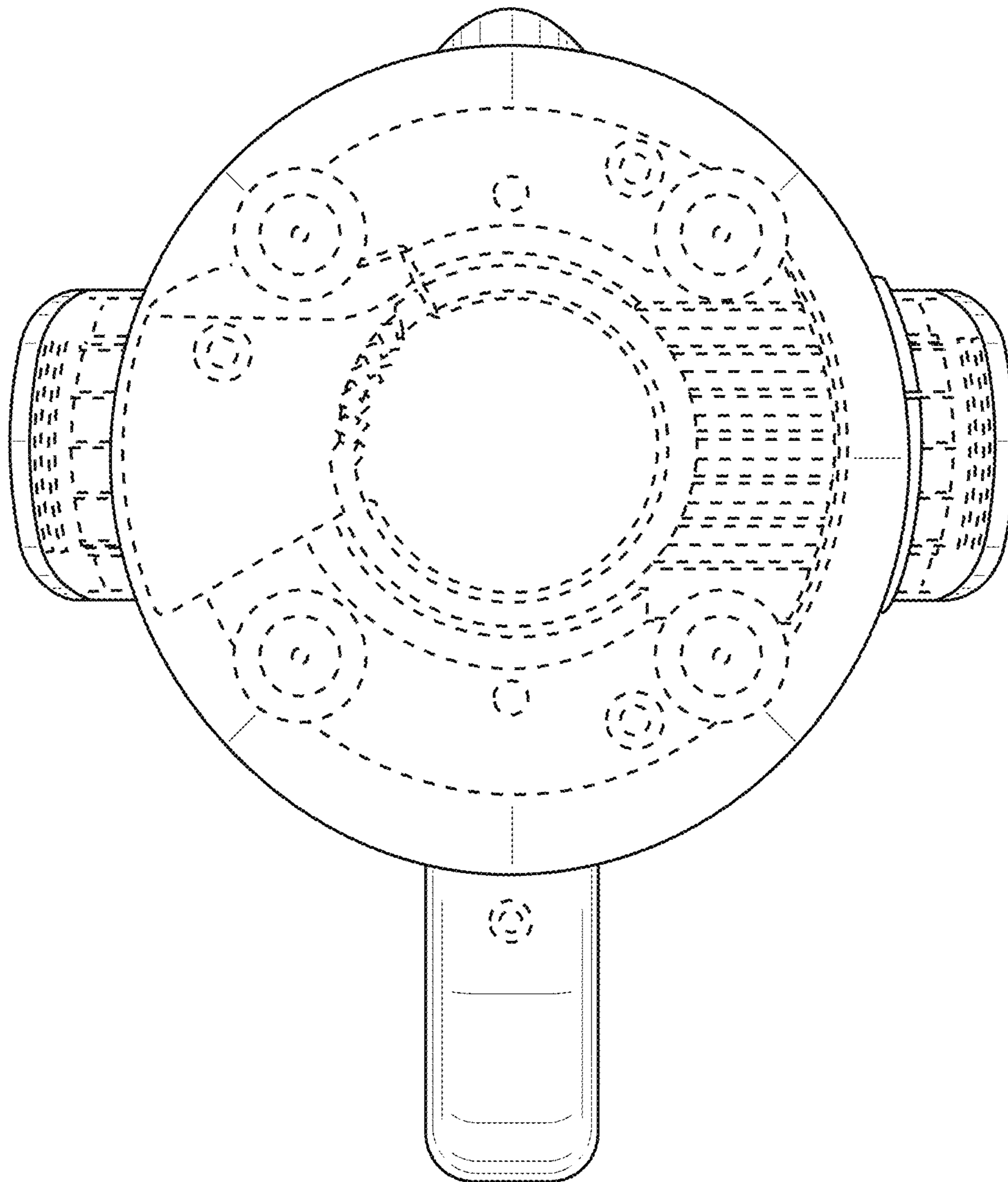


FIG. 7