



US00D812415S

(12) **United States Design Patent**
Best et al.

(10) **Patent No.:** **US D812,415 S**
(45) **Date of Patent:** **** Mar. 13, 2018**

(54) **WOK BURNER ASSEMBLY INTEGRATED WITH A GAS COOKTOP**

(71) Applicant: **Wolf Appliance, Inc.**, Fitchburg, WI (US)

(72) Inventors: **Patrick W. Best**, Mount Horeb, WI (US); **Aaron Hotz**, Middleton, WI (US); **Nicholas H. Schutte**, Verona, WI (US); **Phillip Nguyen**, Manitowoc, WI (US); **Jared W. Wells**, Madison, WI (US)

(73) Assignee: **Wolf Appliance, Inc.**, Fitchburg, WI (US)

(**) Term: **15 Years**

(21) Appl. No.: **29/554,340**

(22) Filed: **Feb. 10, 2016**

(51) **LOC (11) Cl.** **07-02**

(52) **U.S. Cl.**

USPC **D7/362**

(58) **Field of Classification Search**

USPC D7/332-334, 352-355, 357, 359-360, D7/362-365, 367-368, 372, 376-378,
(Continued)

(56) **References Cited**

U.S. PATENT DOCUMENTS

5,431,146 A * 7/1995 Humphrey F24C 1/16
126/24
6,253,759 B1 * 7/2001 Giebel F23D 14/02
126/215

(Continued)

FOREIGN PATENT DOCUMENTS

AU 2013205958 A1 * 12/2013
AU 2015213306 A1 * 3/2016

(Continued)

OTHER PUBLICATIONS

25000 BTU LPG Stainless Steel Wok Stove with Cast Iron Burner, posted at Amazon.com, posted on Jun. 21, 2016, site visited Mar. 28, 2017, <<https://www.amazon.com/25000-Stainless-Steel-Stove-Burner/dp/B01BHJY2ME>>.*

(Continued)

Primary Examiner — Barbara Fox

Assistant Examiner — Messina L Smith

(74) *Attorney, Agent, or Firm* — Bell & Manning, LLC

(57) **CLAIM**

We claim the ornamental design for a wok burner assembly integrated with a gas cooktop, as shown and described.

DESCRIPTION

FIG. 1 is a top, front, right perspective view of a wok burner assembly integrated with a gas cooktop showing our new design in a first embodiment;

FIG. 2 is a top, back, left perspective view of the wok burner assembly integrated with the gas cooktop of FIG. 1 with a vent and a grate removed;

FIG. 3 is a front elevation view of the wok burner assembly integrated with the gas cooktop of FIG. 1;

FIG. 4 is a back elevation view of the wok burner assembly integrated with the gas cooktop of FIG. 1;

FIG. 5 is a top plan view of the wok burner assembly integrated with the gas cooktop of FIG. 1;

FIG. 6 is a left elevation view of the wok burner assembly integrated with the gas cooktop of FIG. 1;

FIG. 7 is a right elevation view of the wok burner assembly integrated with the gas cooktop of FIG. 1;

FIG. 8 is a top, front, right perspective view of a wok burner assembly integrated with a gas cooktop showing our new design in a second embodiment, wherein the stippling indicates a contrast in appearance from the non-stippled elements;

FIG. 9 is a top, back, left perspective view of the wok burner assembly integrated with the gas cooktop of FIG. 8 with a vent and a grate removed;

(Continued)

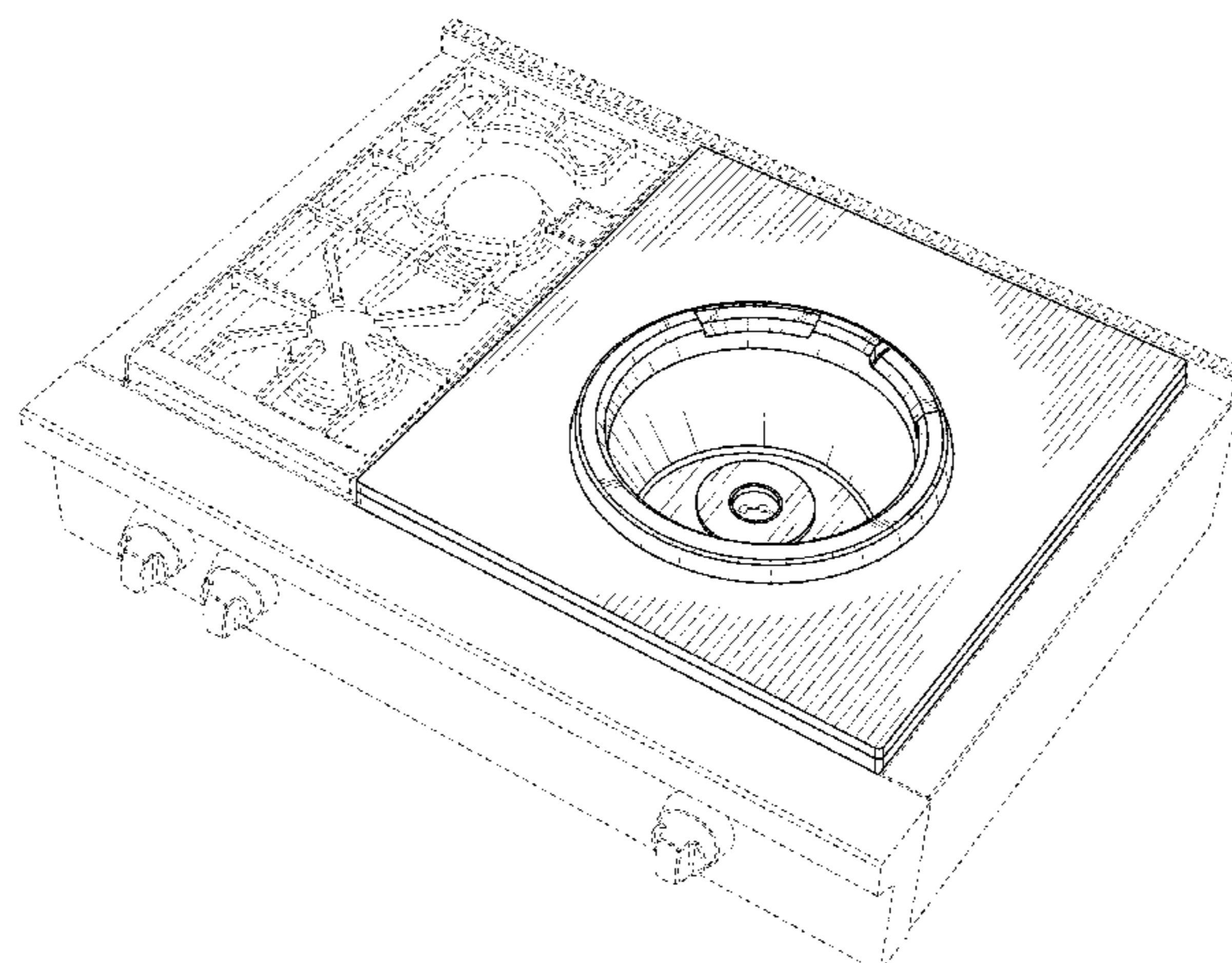


FIG. 10 is a front elevation view of the wok burner assembly integrated with the gas cooktop of FIG. 8;
 FIG. 11 is a back elevation view of the wok burner assembly integrated with the gas cooktop of FIG. 8;
 FIG. 12 is a top plan view of the wok burner assembly integrated with the gas cooktop of FIG. 8;
 FIG. 13 is a left elevation view of the wok burner assembly integrated with the gas cooktop of FIG. 8;
 FIG. 14 is a right elevation view of the wok burner assembly integrated with the gas cooktop of FIG. 8;
 FIG. 15 is a top, front, right perspective view of a wok burner assembly integrated with a gas cooktop showing our new design in a third embodiment, wherein the stippling indicates a contrast in appearance from the non-stippled elements;
 FIG. 16 is a top, back, left perspective view of the wok burner assembly integrated with the gas cooktop of FIG. 15 with a vent and a grate removed;
 FIG. 17 is a front elevation view of the wok burner assembly integrated with the gas cooktop of FIG. 15;
 FIG. 18 is a back elevation view of the wok burner assembly integrated with the gas cooktop of FIG. 15;
 FIG. 19 is a top plan view of the wok burner assembly integrated with the gas cooktop of FIG. 15;
 FIG. 20 is a left elevation view of the wok burner assembly integrated with the gas cooktop of FIG. 15;
 FIG. 21 is a right elevation view of the wok burner assembly integrated with the gas cooktop of FIG. 15; and,
 FIG. 22 is a top, front, right perspective view of the wok burner assembly of FIG. 1 integrated with a second gas cooktop.

The broken lines in the drawings illustrate portions of the wok burner assembly integrated with a gas cooktop that form no part of the claimed design. The bottom plan views of the first, second, and third embodiments is unornamented and forms no part of the claimed design. FIGS. 3-7, 10-14, and 17-21 are shown using the same scale; whereas, the remaining figures are shown using a larger scale than that shown in FIGS. 3-7, 10-14, and 17-21.

1 Claim, 16 Drawing Sheets

(58) **Field of Classification Search**

USPC D7/381-384, 386, 402, 407, 412, 602, D7/605, 611, 629, 669; D9/420,

D9/424-426, 503-504, 643, 756-757, D9/761-762

CPC .. A21B 3/13; A21B 5/023; A47J 27/60; A47J 27/62; A47J 3704/06; A47J 3704/067; A47J 3704/0605; A47J 3704/0611; A47J 3704/0623; A47J 3704/0629; A47J 3704/0676; A47J 2037/06; A47J 2037/0611; F24C 15/10; F24C 15/102; H05B 6/02; H05B 6/062

See application file for complete search history.

(56)

References Cited

U.S. PATENT DOCUMENTS

D637,040	S	*	5/2011	King	D7/407
D641,197	S	*	7/2011	Borin	D7/326
D648,597	S	*	11/2011	King	D7/407
D751,855	S	*	3/2016	Bassill	D7/362
D771,437	S	*	11/2016	Segers	D7/346
D772,648	S	*	11/2016	Palermo	D7/367
D773,236	S	*	12/2016	Durant	D7/323
D775,888	S	*	1/2017	Kim	D7/337
D781,637	S	*	3/2017	Mercier	D7/348
2006/0108433	A1	*	5/2006	Fossati	A47J 27/04 236/44 C
2010/0154770	A1	*	6/2010	Zhou	F24C 15/28 126/42
2014/0158680	A1	*	6/2014	Kitaizumi	H05B 6/062 219/665
2014/0251980	A1	*	9/2014	Lin	H05B 6/065 219/624
2015/0090246	A1	*	4/2015	Gravel	F24C 5/12 126/43

FOREIGN PATENT DOCUMENTS

DE	202016000820	U1	*	4/2016	F24C 3/085
EP	2390569	A2	*	11/2011	F23D 14/085
FR	2928203	A1	*	9/2009	F24C 3/085

OTHER PUBLICATIONS

Companion Single Burner Wok Cooker Silver Single, posted at Anacondastores.com, posted on © 2017, site visited Mar. 28, 2017, <<https://www.anacondastores.com/camping-hiking/camp-cooking/camping-stoves/companion-single-burner-wok-cooker/p/BP90028534>>.*

* cited by examiner

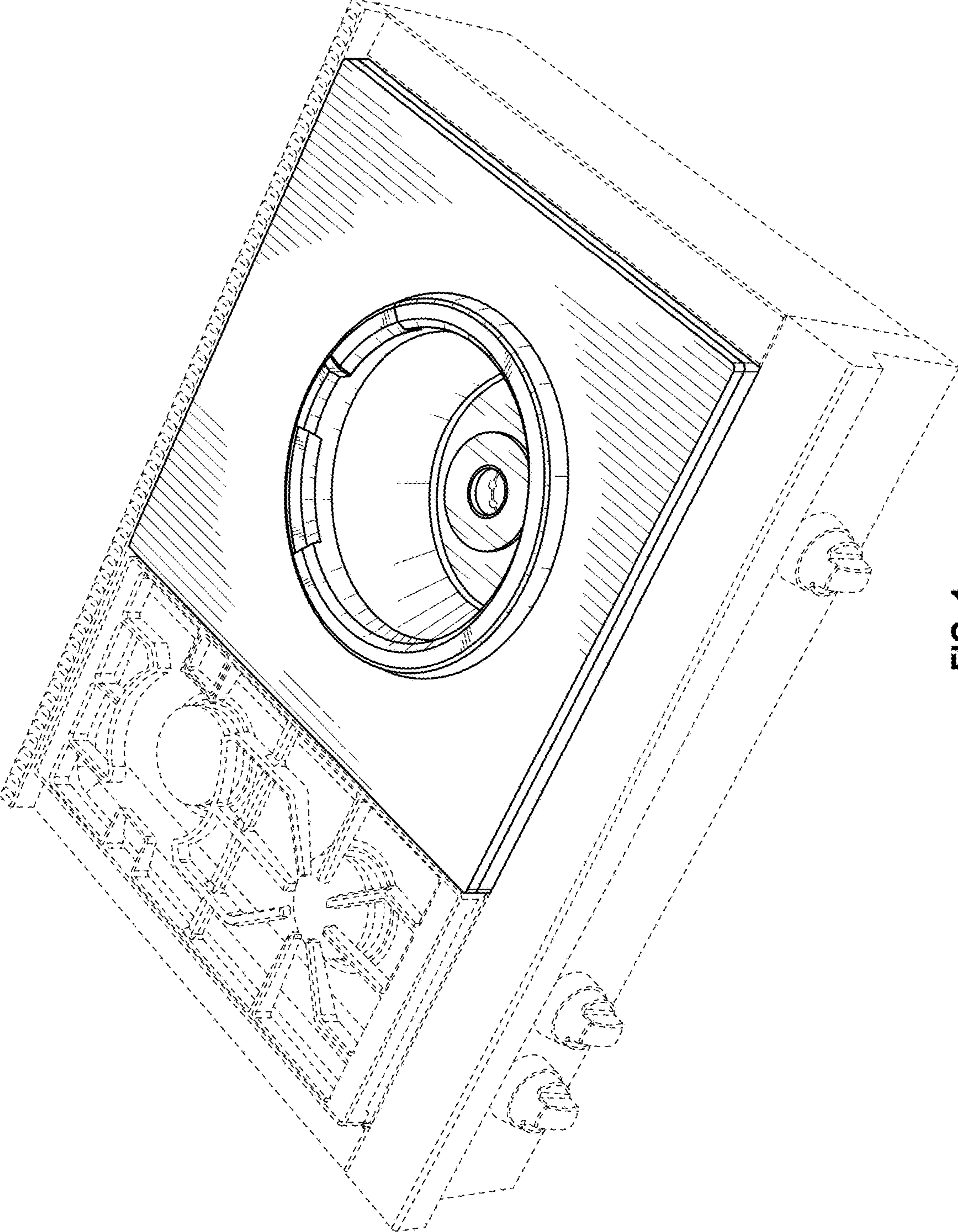


FIG. 1

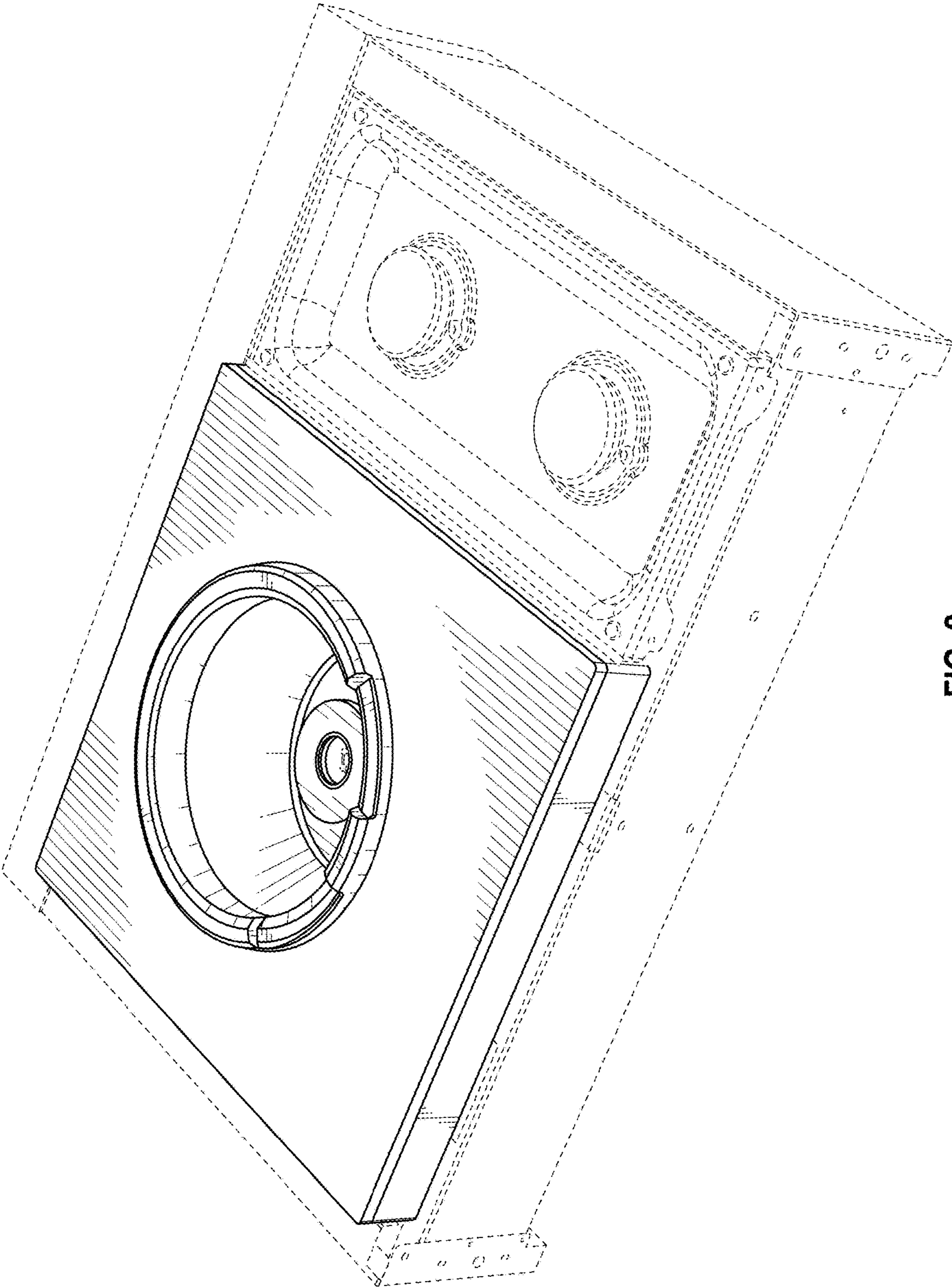


FIG. 2

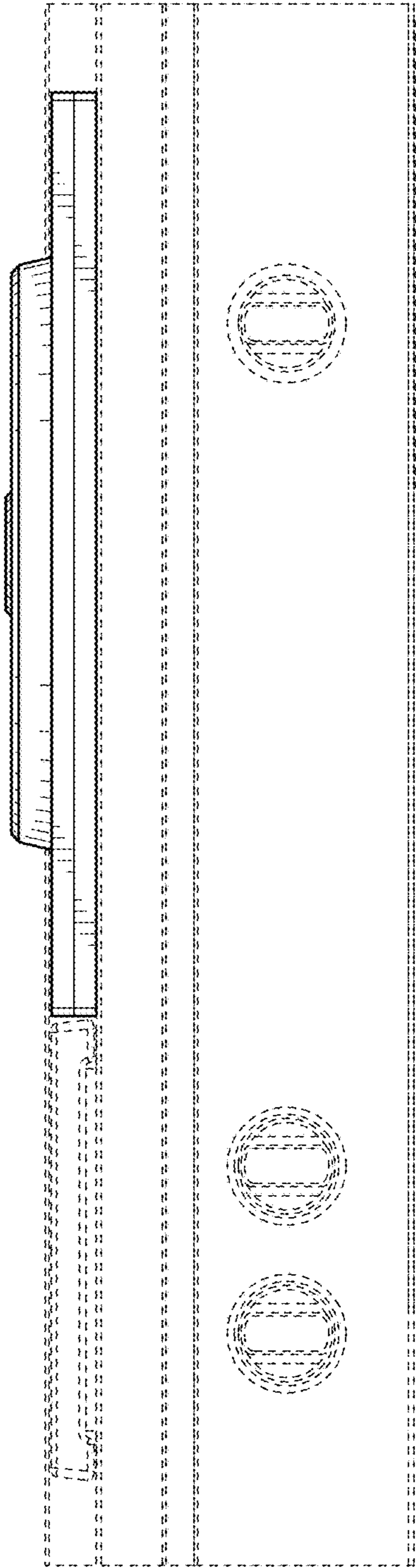


FIG. 3

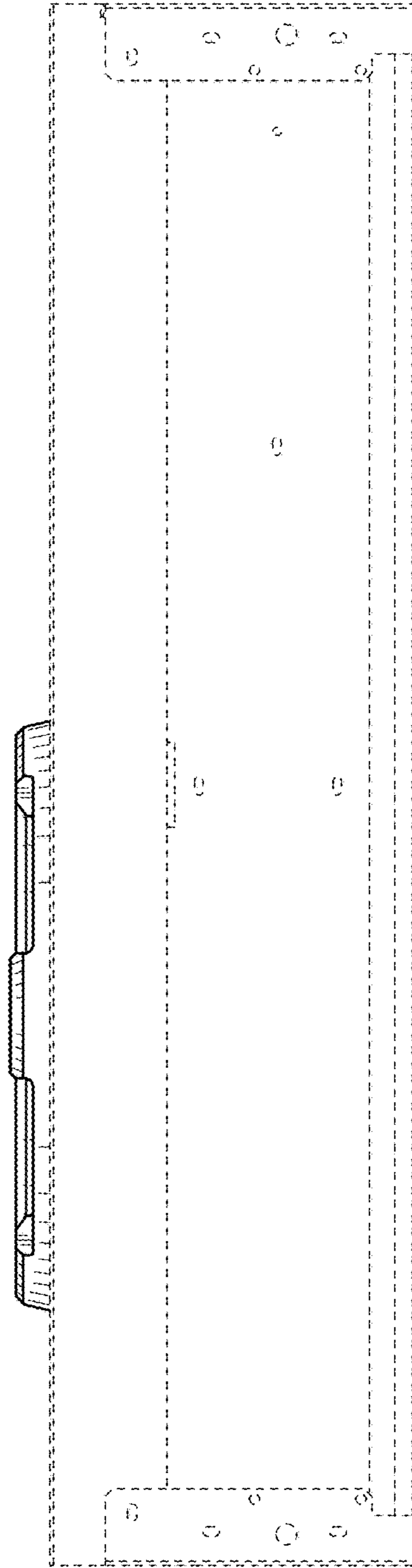


FIG. 4

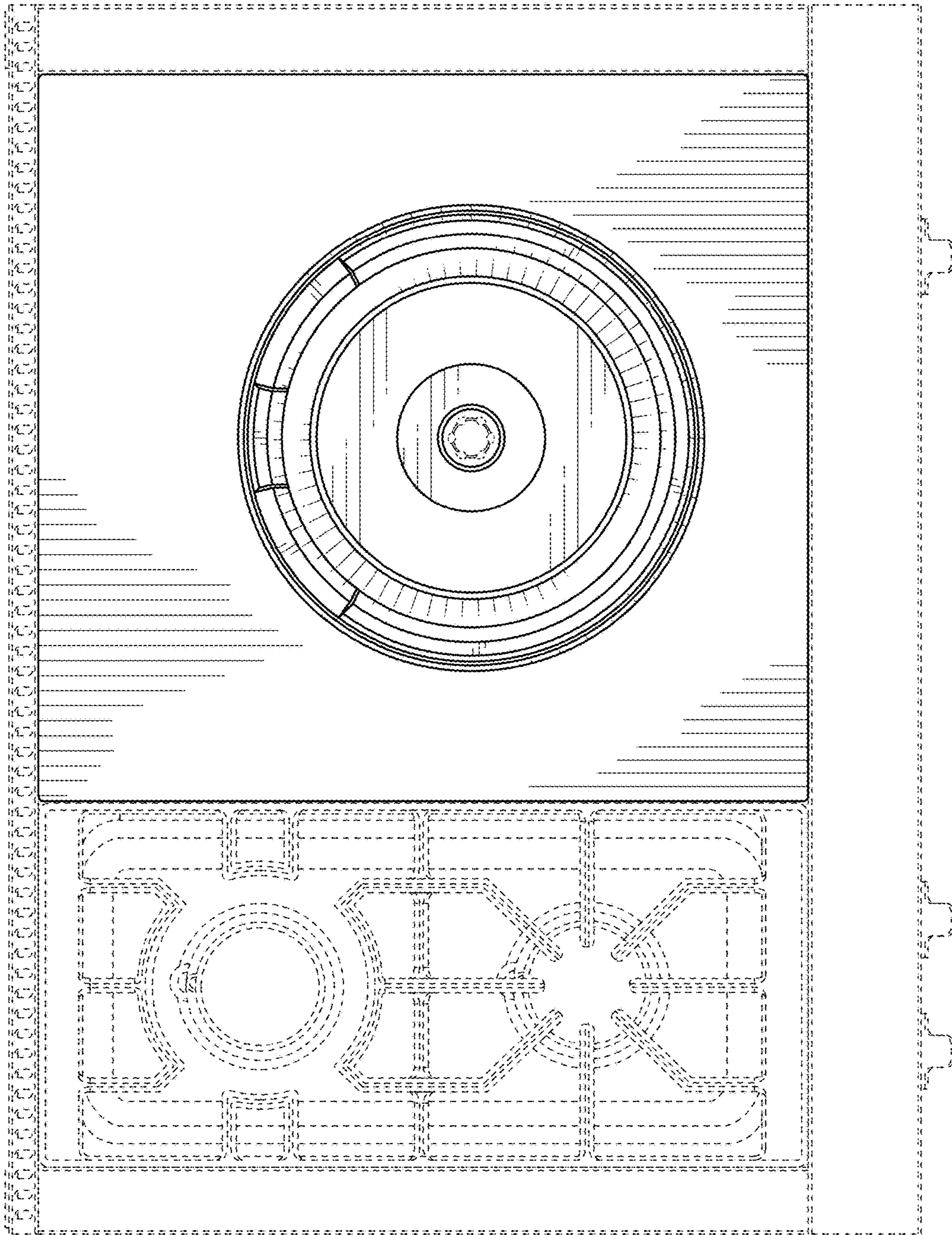


FIG. 5

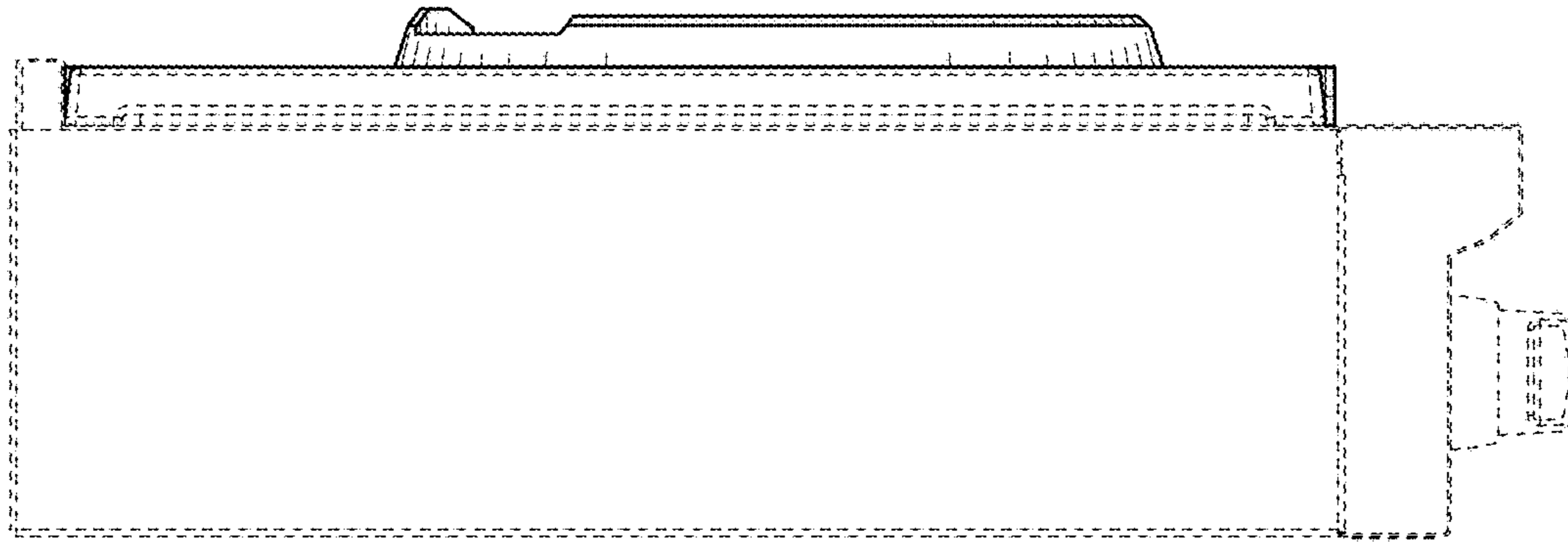


FIG. 6

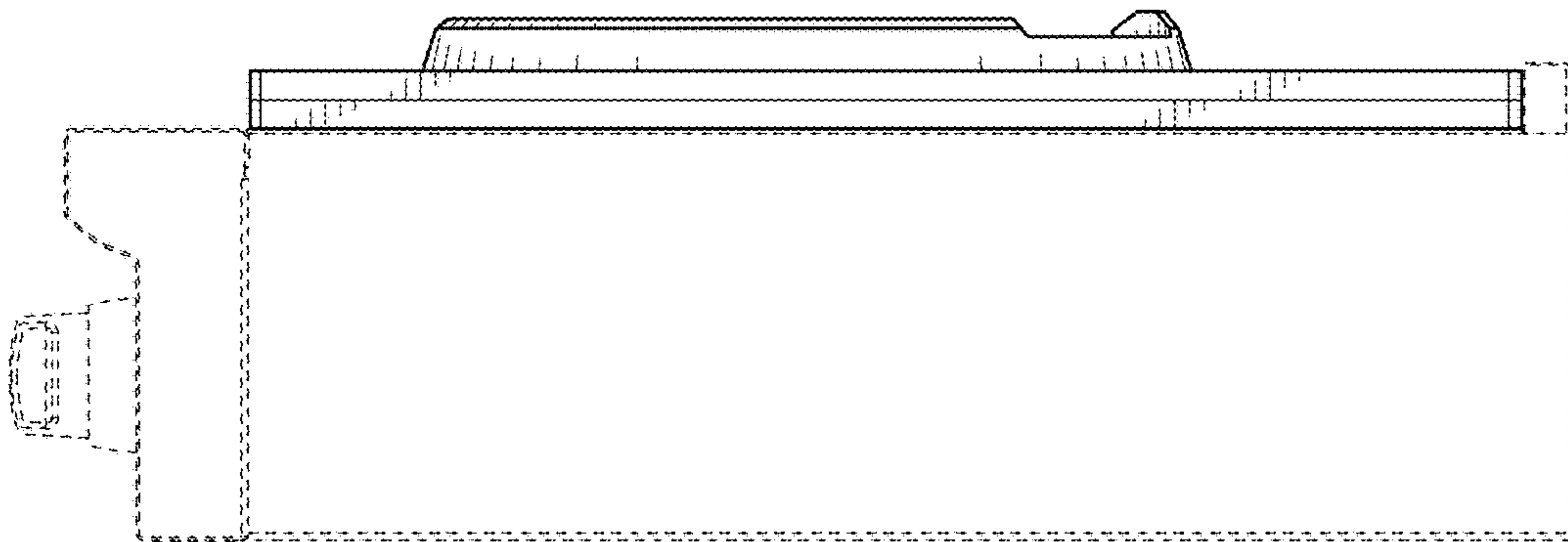


FIG. 7

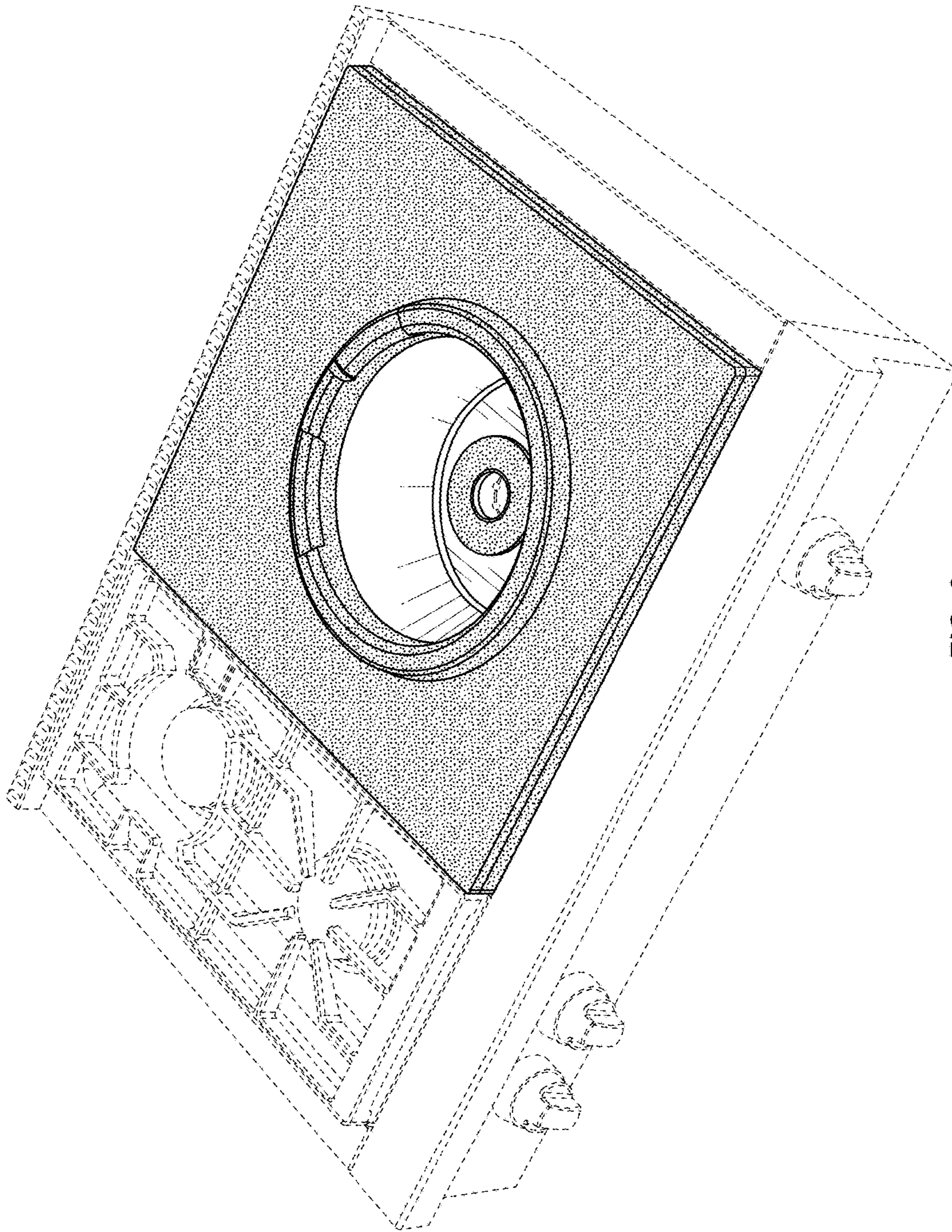


FIG. 8

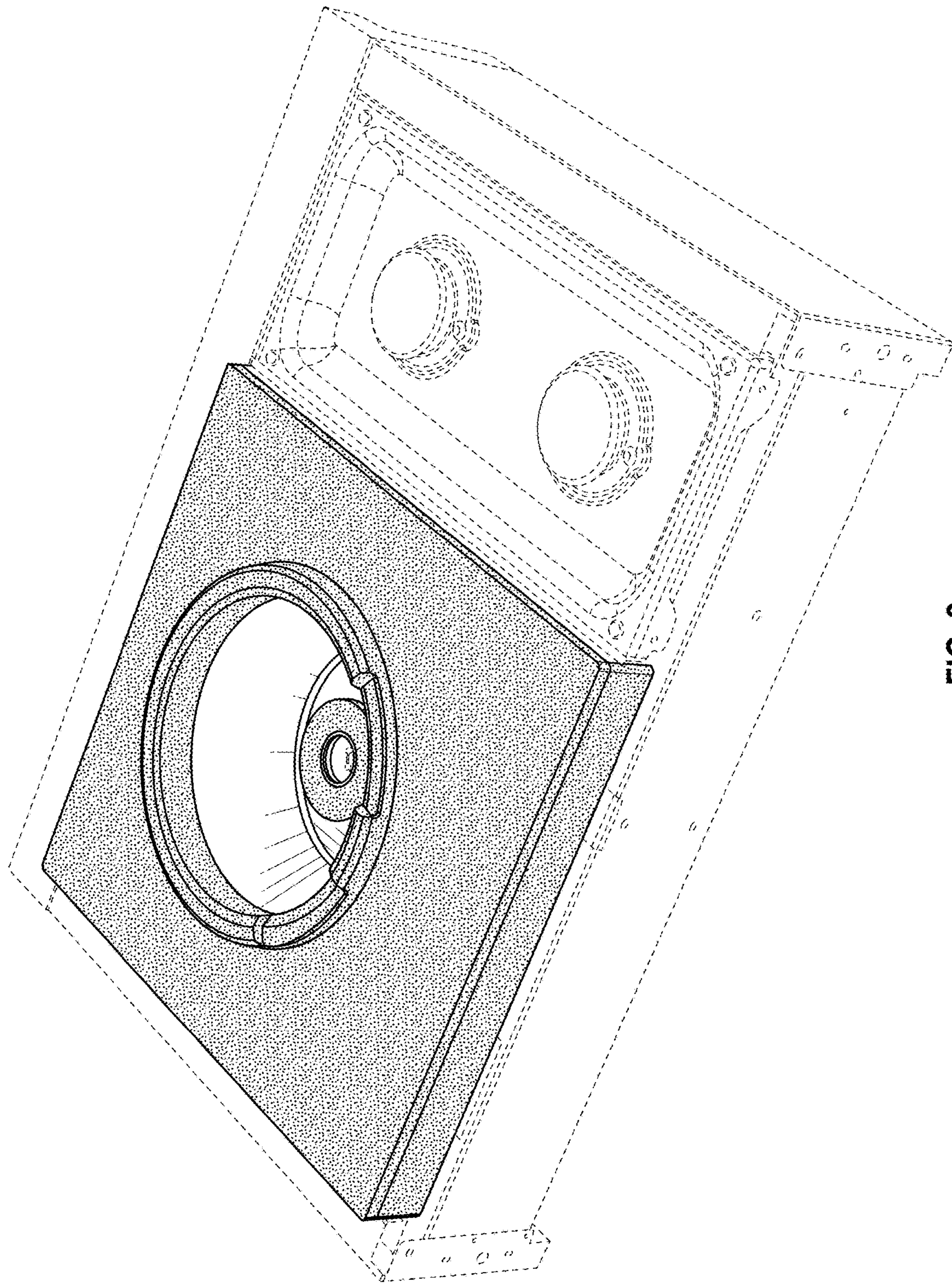


FIG. 9

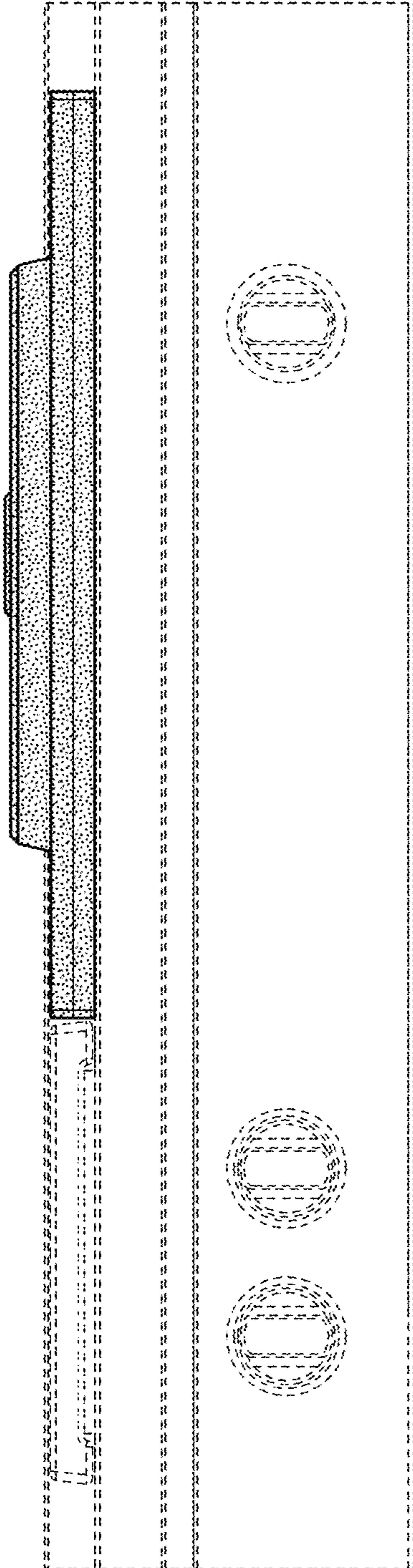


FIG. 10

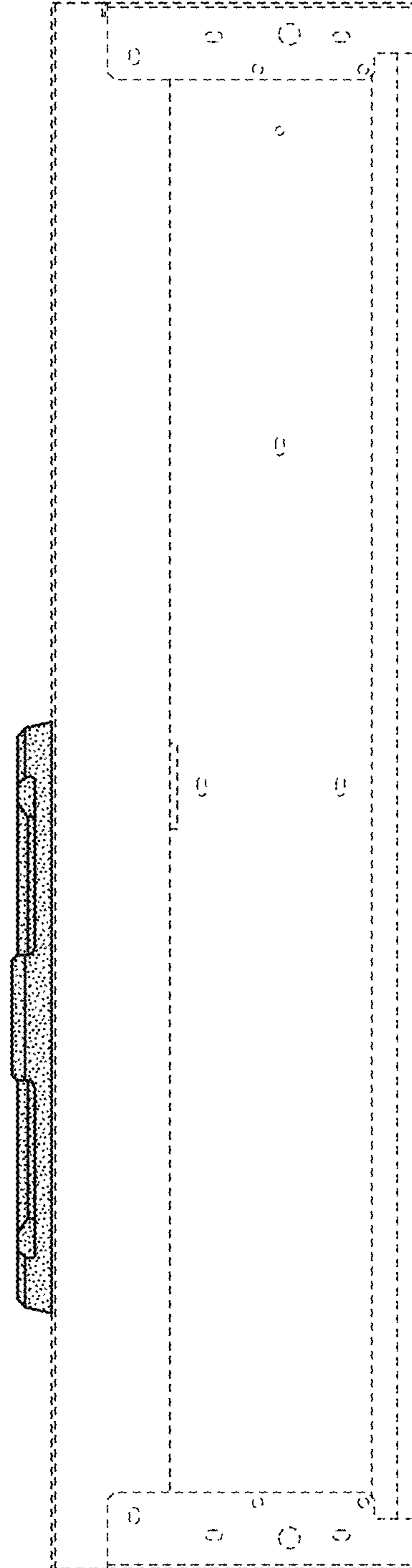


FIG. 11

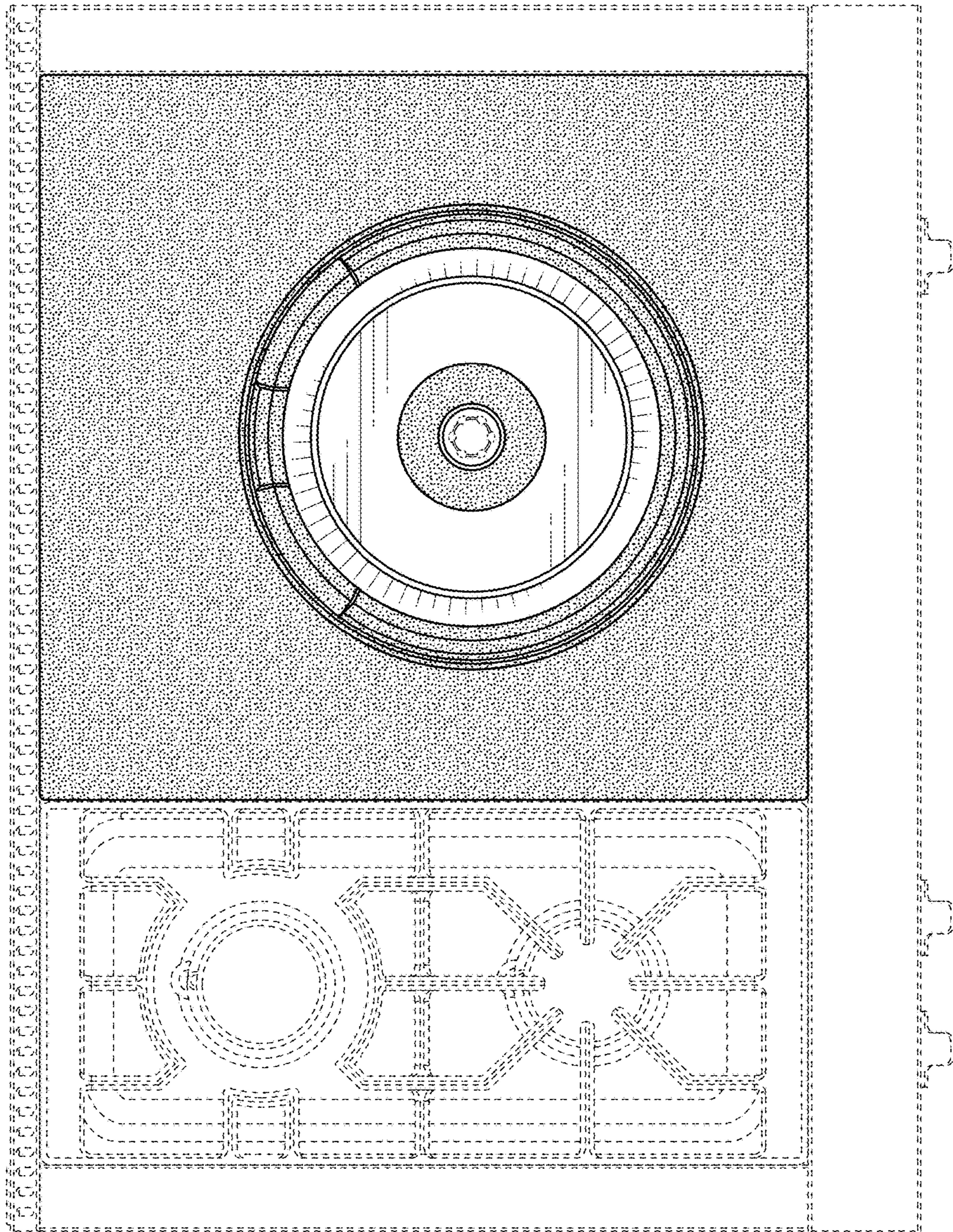


FIG. 12

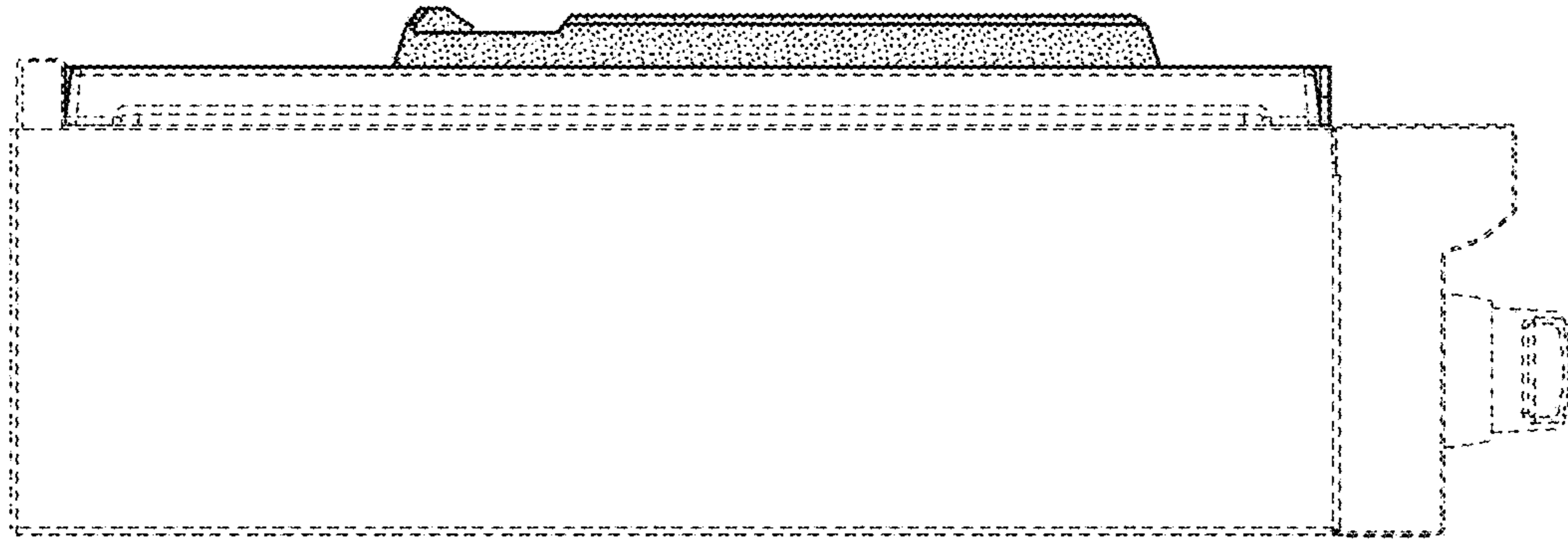


FIG. 13

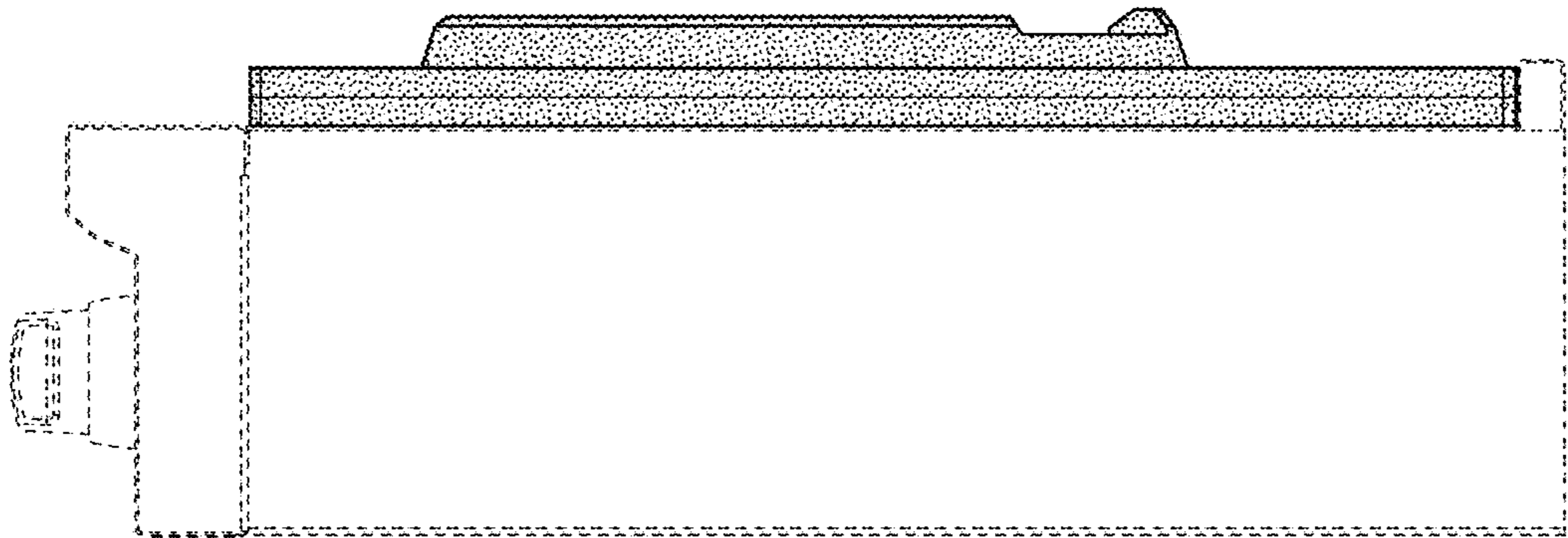


FIG. 14

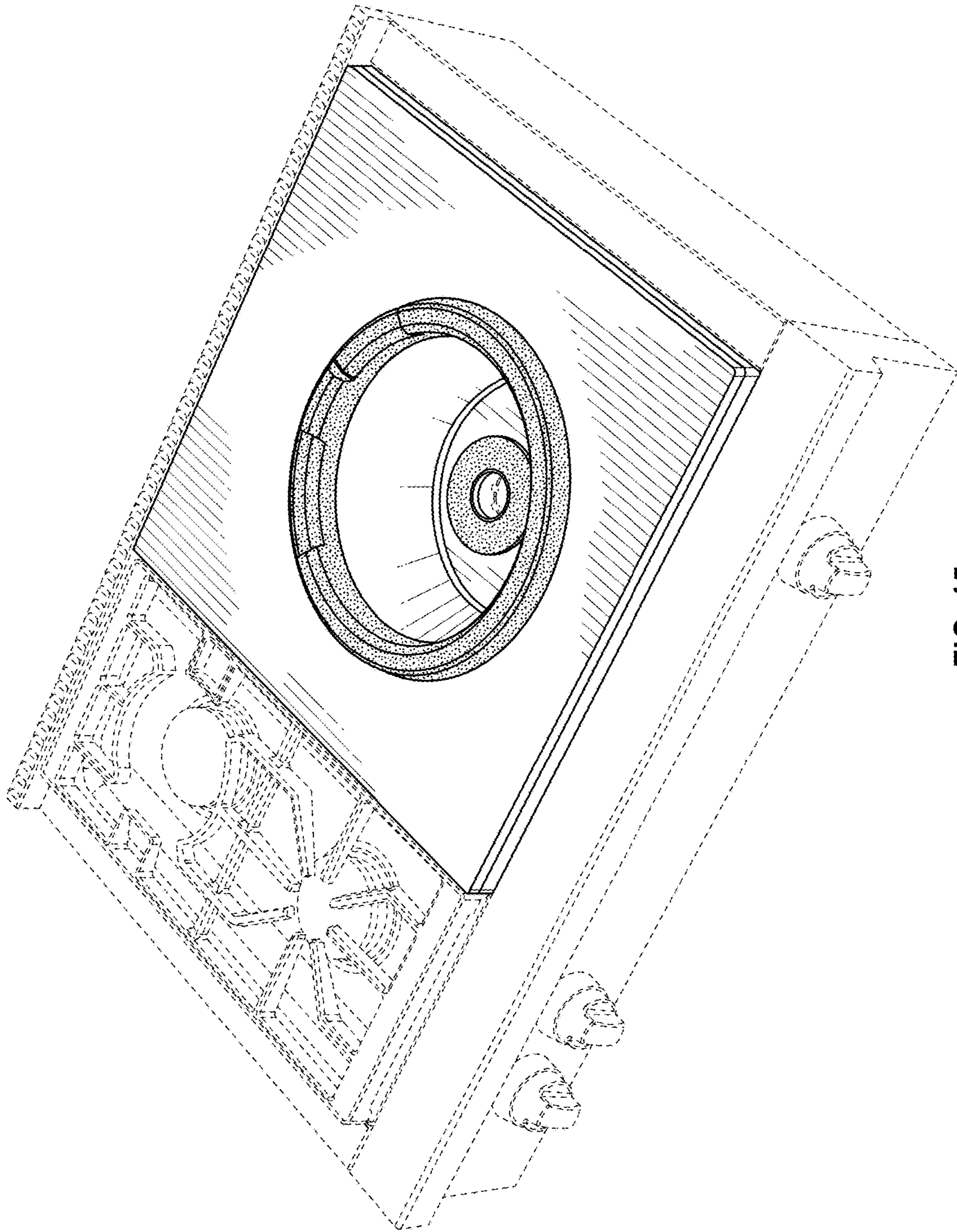


FIG. 15

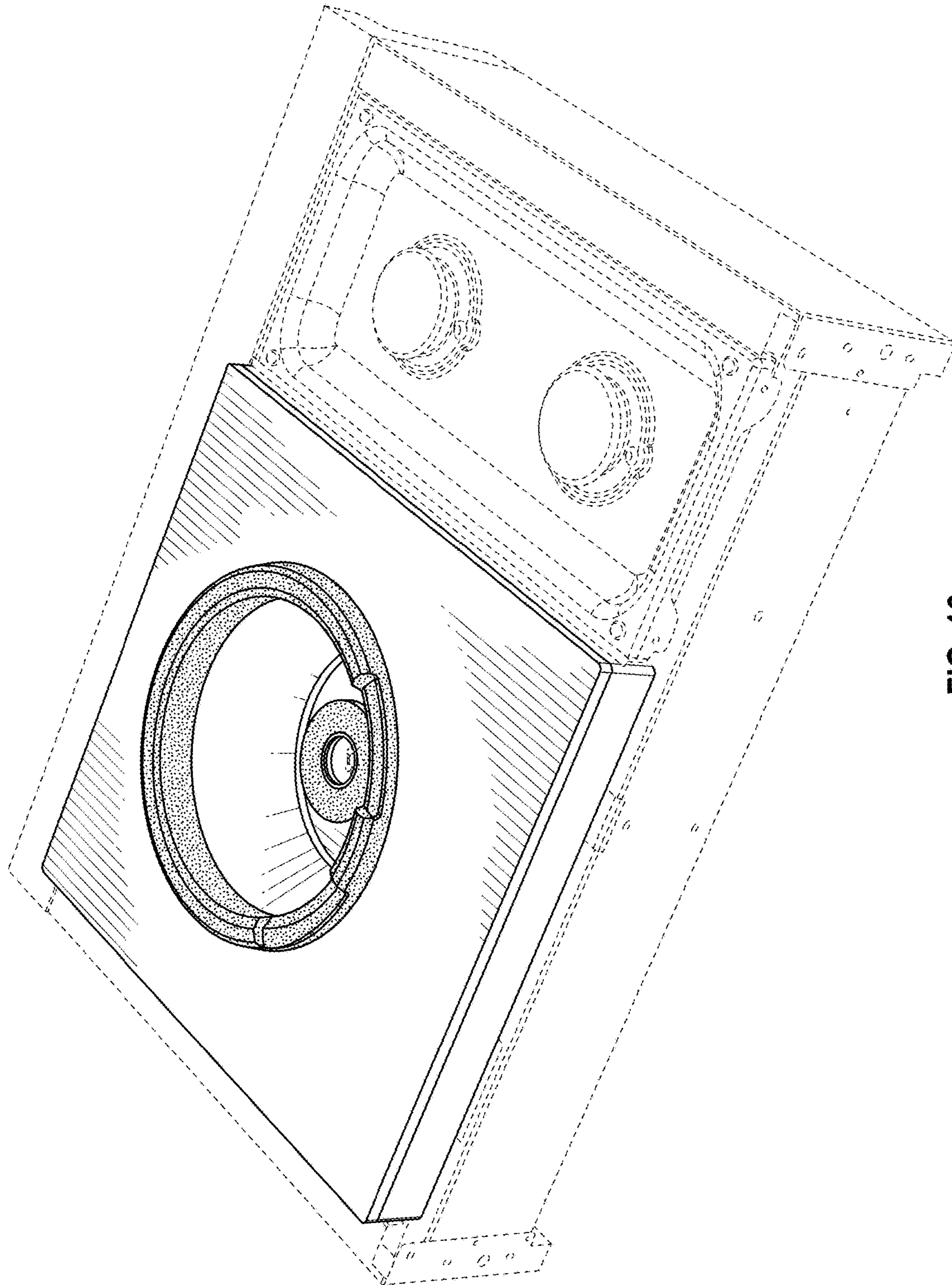


FIG. 16

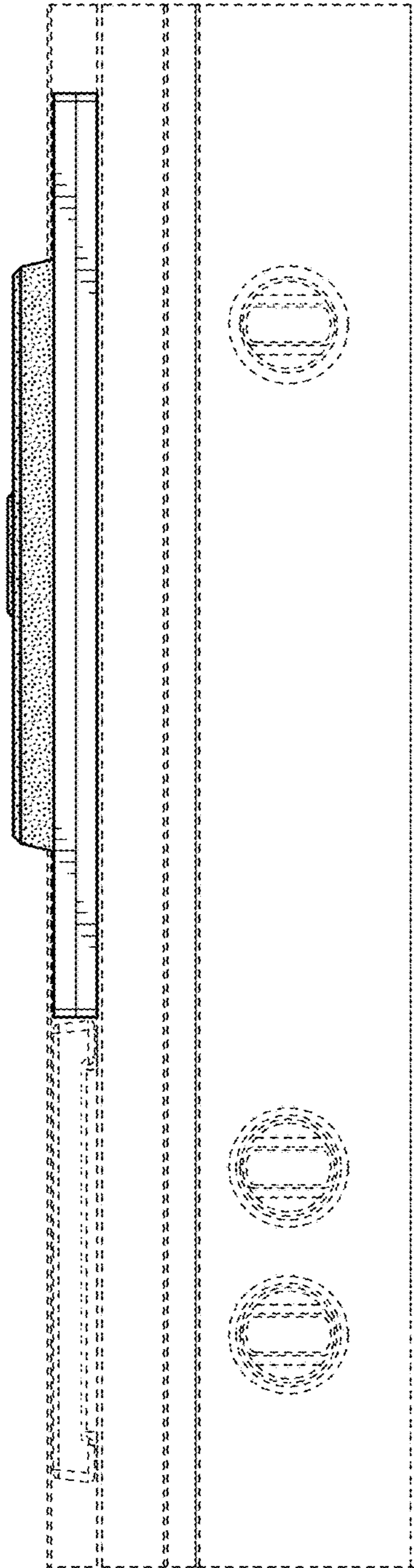


FIG. 17

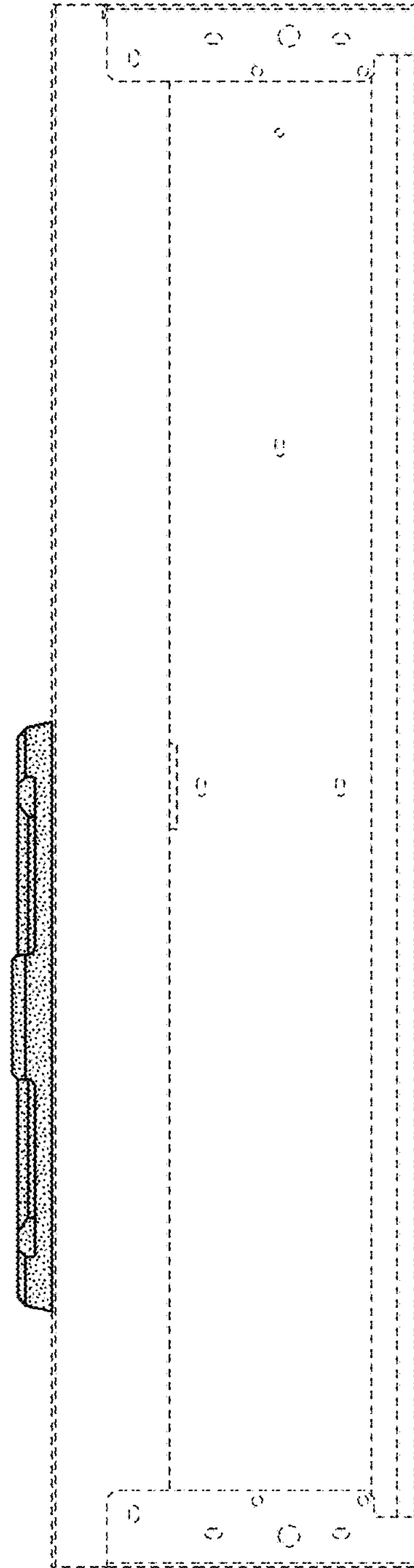


FIG. 18

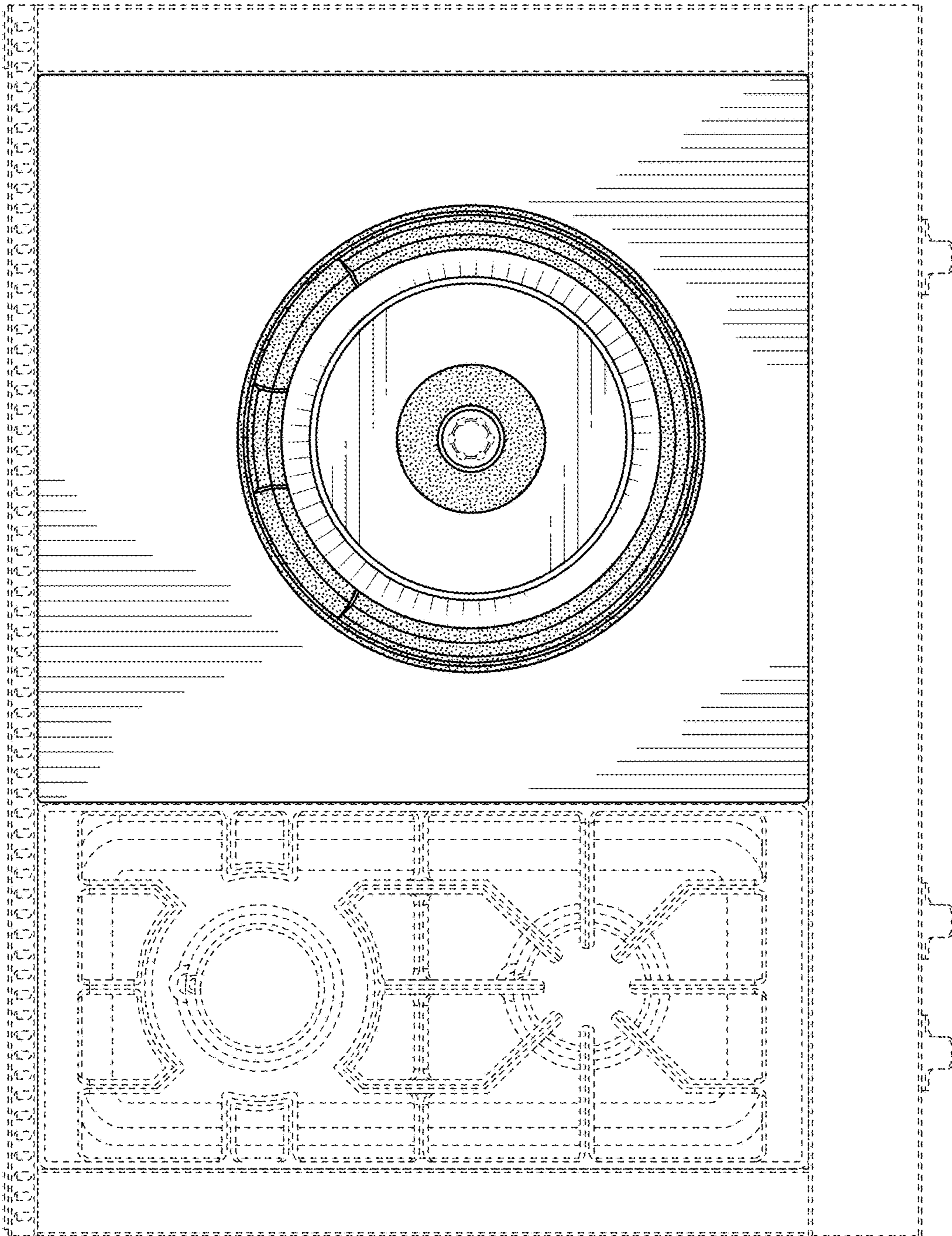


FIG. 19

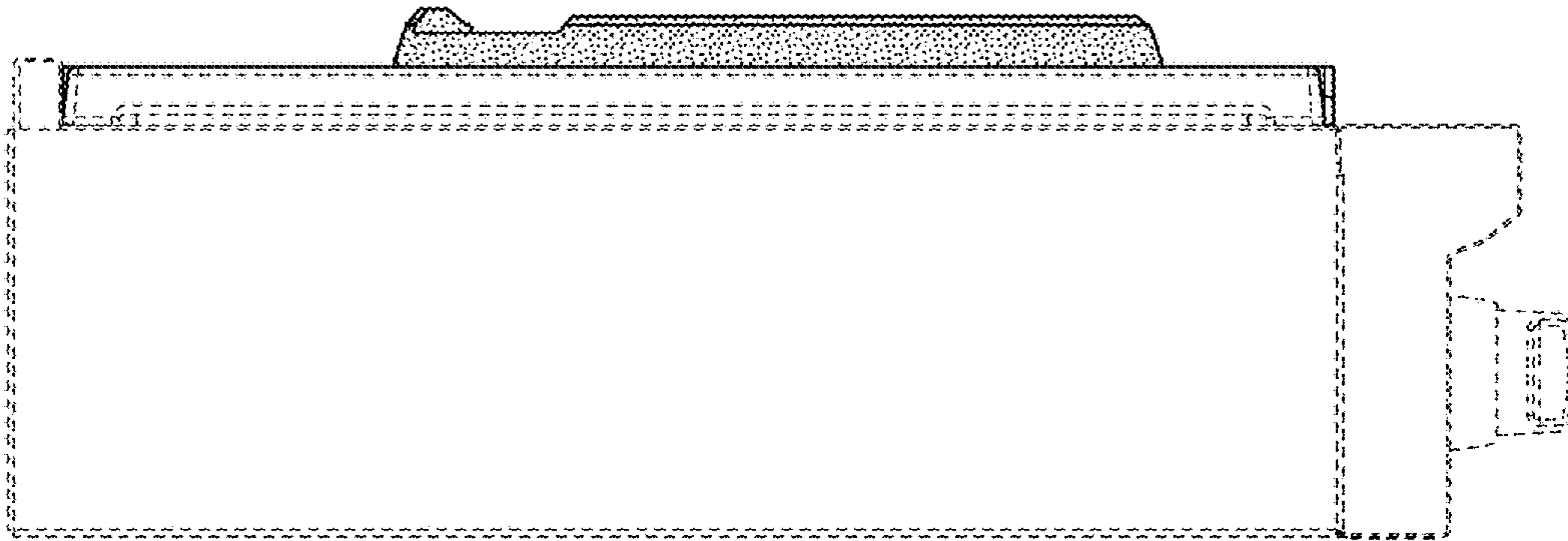


FIG. 20

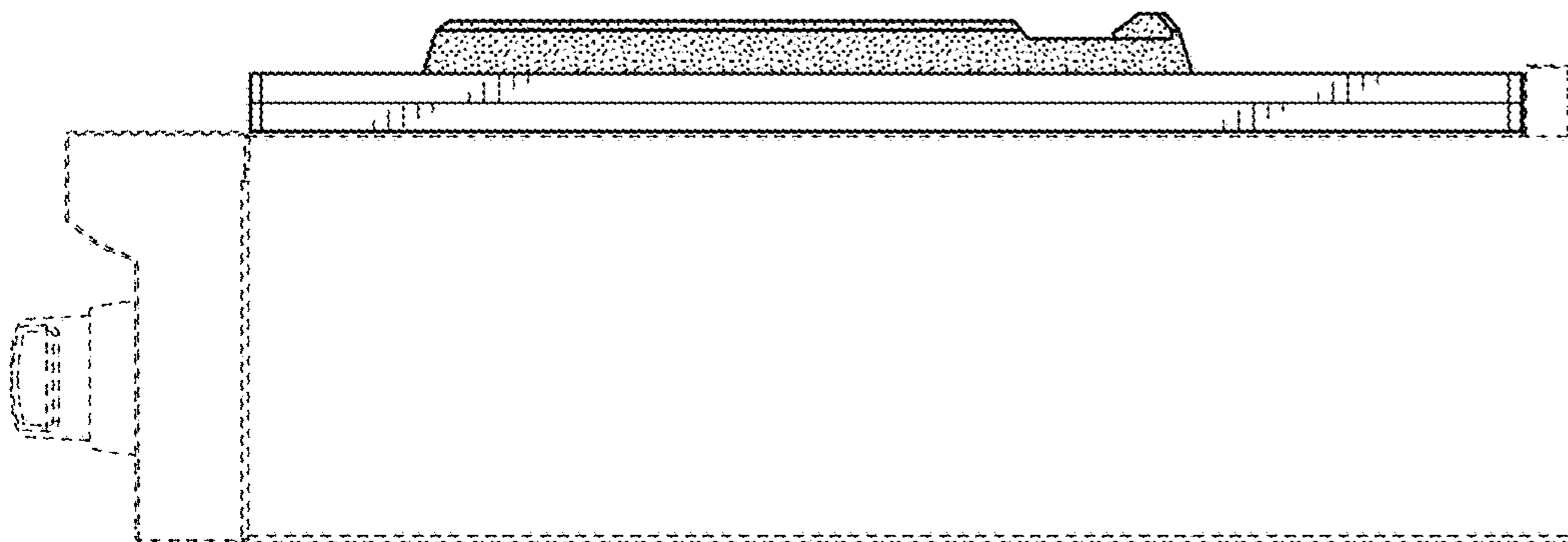


FIG. 21

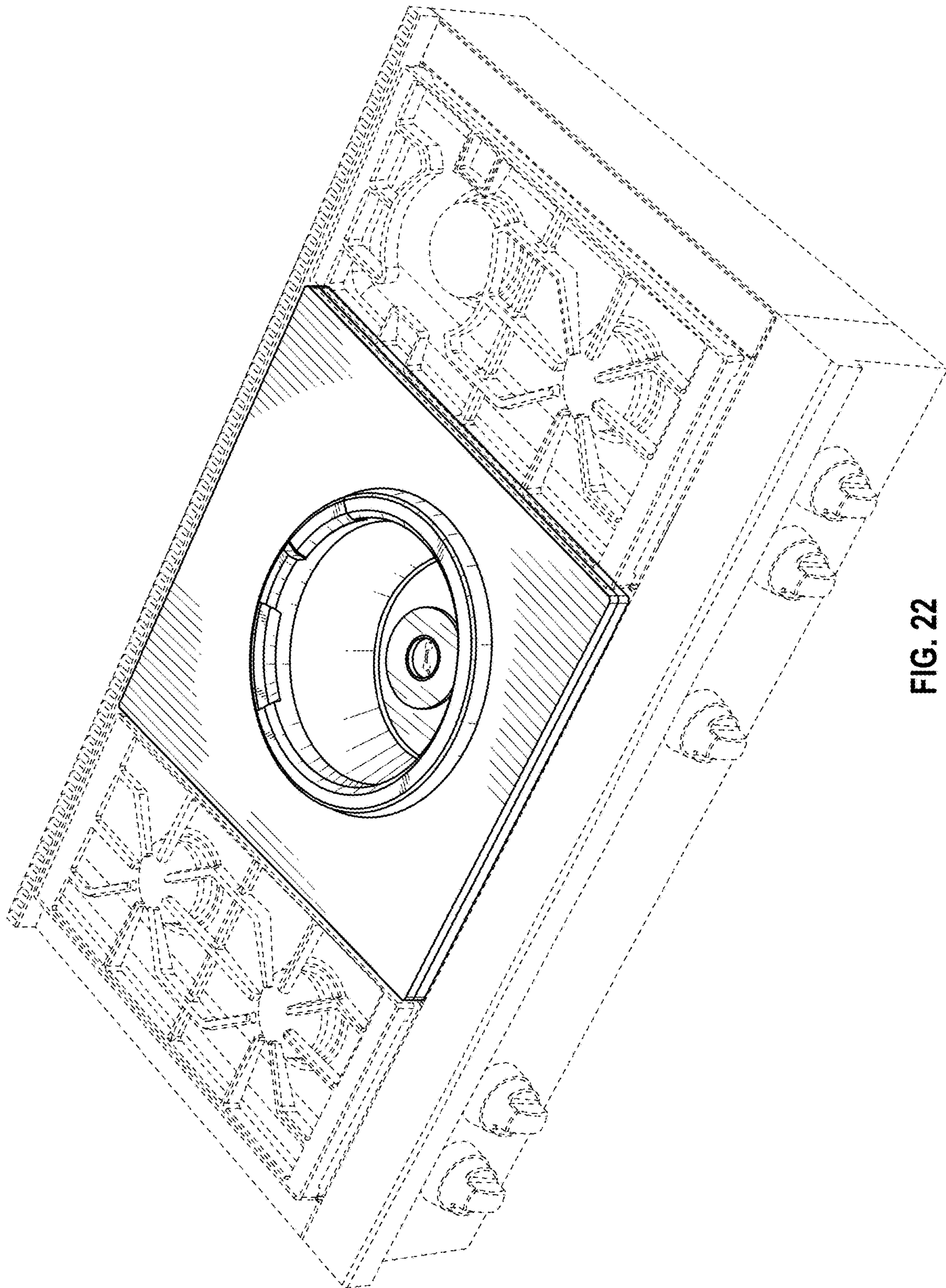


FIG. 22