



US00D812414S

(12) **United States Design Patent**
Kastner et al.

(10) **Patent No.:** **US D812,414 S**
(45) **Date of Patent:** **** Mar. 13, 2018**

(54) **COOKWARE**

(71) Applicant: **Meyer Intellectual Properties Limited,**
Kowloon (HK)

(72) Inventors: **Martin Kastner,** Chicago, IL (US);
Christoph Milz, Vallejo, CA (US)

(73) Assignee: **Meyer Intellectual Properties Limited,**
Kowloon (HK)

(**) Term: **15 Years**

(21) Appl. No.: **29/556,562**

(22) Filed: **Mar. 1, 2016**

(51) **LOC (11) Cl.** **07-02**

(52) **U.S. Cl.**
USPC **D7/361**

(58) **Field of Classification Search**
USPC D7/350.1, 323, 327-332, 334-341,
D7/347-348, 351-363, 391, 393-396, 409
CPC A47G 19/06; A47G 19/12; A47J 36/025;
A47J 36/06; A47J 36/12; A47J 36/26;
A47J 37/00; A47J 37/10; A47J 37/101;
A47J 37/103; A47J 37/108; A47J 37/12;
A47J 37/1204; A47J 45/061; A47J
45/071; A47J 45/08; A63H 33/3055;
B65D 81/3222; H05B 6/12

See application file for complete search history.

(56) **References Cited**

U.S. PATENT DOCUMENTS

- 1,773,506 A * 8/1930 Torndahl A47J 37/10
220/212
- D147,950 S 11/1947 Blazey
- D263,441 S 3/1982 Johnson et al.
- D273,755 S * 5/1984 Thurlow D7/359
- D274,402 S 6/1984 Ziskind
- D368,828 S 4/1996 Thurlow
- D370,826 S * 6/1996 Thurlow D7/360
- D418,009 S 12/1999 Banc

- D431,149 S 9/2000 Cooke et al.
- D431,411 S 10/2000 Chang
- D438,754 S * 3/2001 Mendelson D7/391
(Continued)

OTHER PUBLICATIONS

Nonstick Jumbo Cooker / Sauté Pan Grey 11 inches—Deep Frying Pan Cookware with Glass Lid, posted at Amazon.com, posted on Mar. 31, 2015, site visited Feb. 8, 2017, <https://www.amazon.com/Nonstick-Jumbo-Cooker-Saut%C3%A9-inches/dp/B00VGZ9XVA/ref=sr_1_1?ie=UTF8&qid=1486570885&sr=8-1&keywords=deep+frying+pan+with+lid>.*

(Continued)

Primary Examiner — Barbara Fox

Assistant Examiner — Messina L Smith

(74) *Attorney, Agent, or Firm* — Akerman LLP

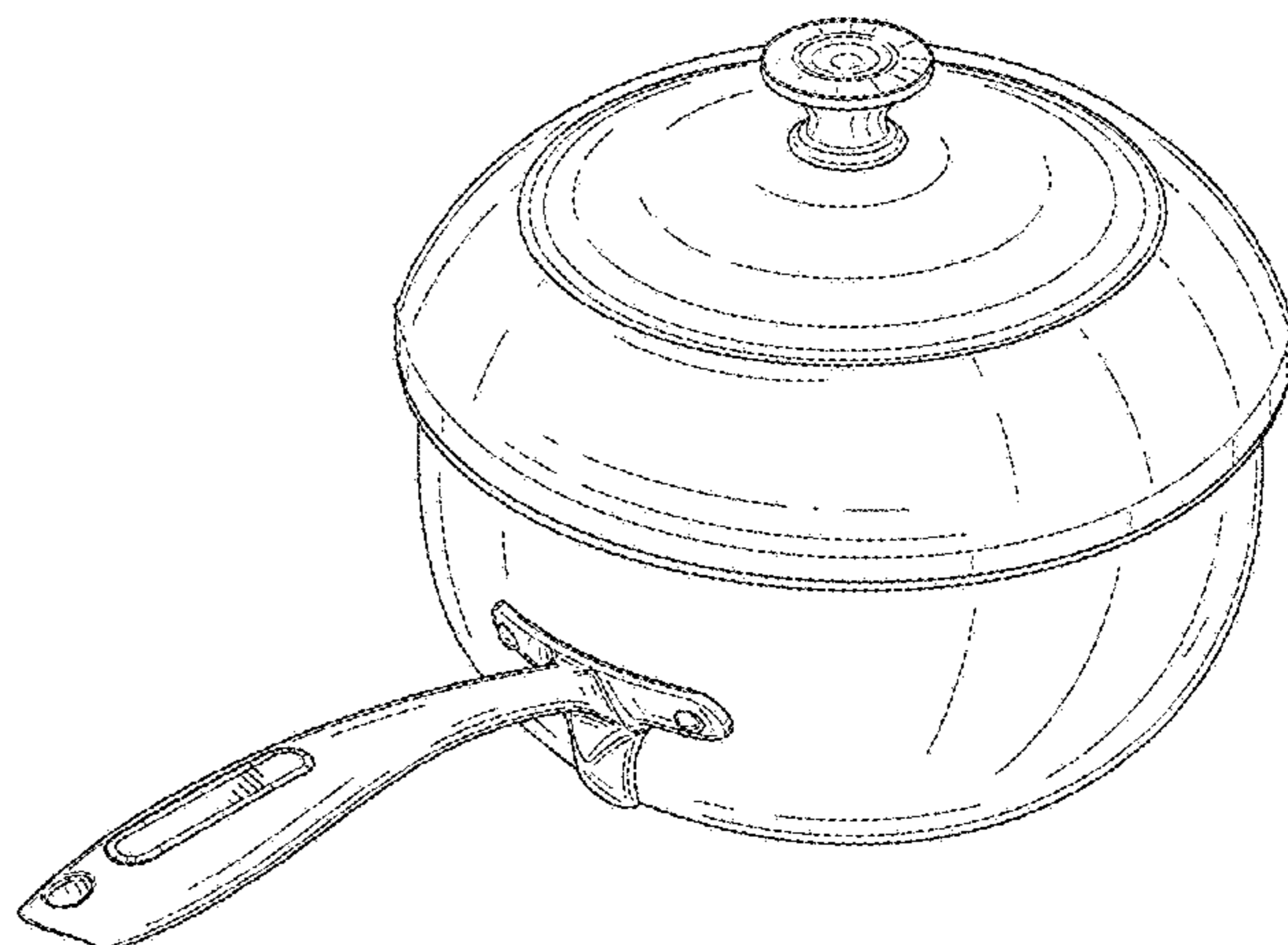
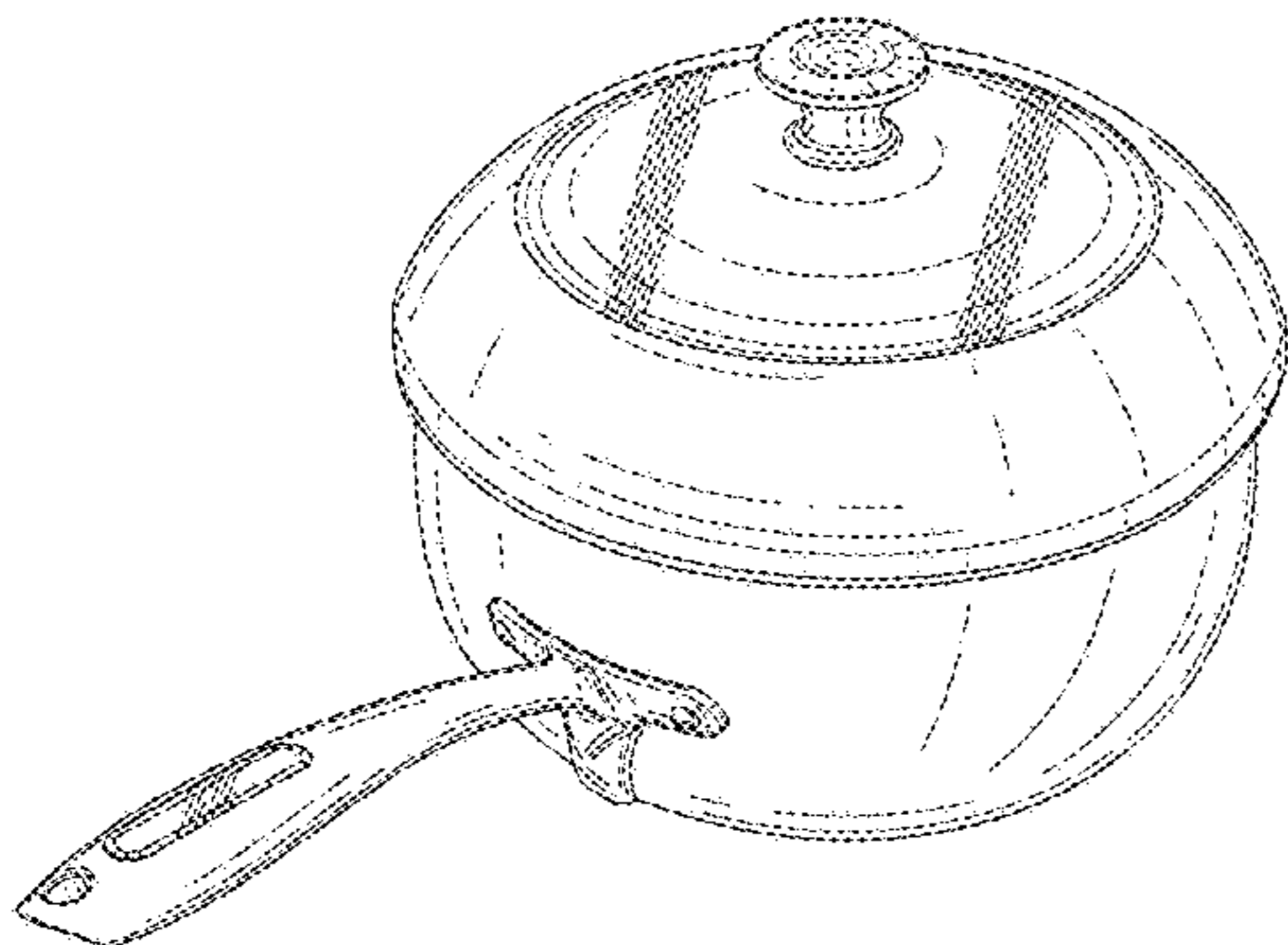
(57) **CLAIM**

The ornamental design for cookware, as shown and described.

DESCRIPTION

FIG. 1 is a perspective view of a first embodiment of a cookware showing my new design;
FIG. 2 is a front view thereof;
FIG. 3 is a back view thereof;
FIG. 4 is a right side view thereof;
FIG. 5 is a left side view thereof;
FIG. 6 is a top view thereof;
FIG. 7 is a bottom view thereof;
FIG. 8 is a perspective view of a second embodiment of the cookware showing my new design;
FIG. 9 is a front view of the embodiment of FIG. 8;
FIG. 10 is a back view of the embodiment of FIG. 8;
FIG. 11 is a right side view of the embodiment of FIG. 8;
FIG. 12 is a left view of the embodiment of FIG. 8;
FIG. 13 is a top view of the embodiment of FIG. 8; and,
FIG. 14 is a bottom view of the embodiment of FIG. 8.
The broken lines shown in the drawings depict portions of the cookware that form no part of the claimed design.

1 Claim, 14 Drawing Sheets



(56)

References Cited

U.S. PATENT DOCUMENTS

6,419,107 B1 * 7/2002 Cheng A47J 36/08
220/366.1

D479,432 S 9/2003 Barker

D488,670 S 4/2004 Chan

D496,555 S 9/2004 Rommelfanger et al.

D543,772 S * 6/2007 Roussard D7/358

D548,518 S 8/2007 Rae

D550,030 S 9/2007 Peterson

D555,421 S * 11/2007 Thurlow D7/395

D557,062 S 12/2007 Henry

D575,578 S 8/2008 Ball

D576,446 S 9/2008 Rae

D579,714 S * 11/2008 Cheng D7/360

D584,105 S 1/2009 Moulin Robson

D592,450 S 5/2009 Rae

D592,902 S 5/2009 Currie

D598,702 S * 8/2009 Hoekstra D7/361

D612,193 S 3/2010 Darling

D614,908 S 5/2010 Berge

D614,909 S 5/2010 Lavy

D622,541 S 8/2010 Josancy

D625,950 S 10/2010 Regnart

D642,015 S 7/2011 Rae

D658,436 S 5/2012 Rae

D663,576 S 7/2012 McEldowney

D666,272 S 8/2012 Shi et al.

D685,222 S 7/2013 Dang

D693,634 S 11/2013 Lee et al.

D693,635 S 11/2013 Lee et al.

D728,998 S 5/2015 Barberi

D757,488 S * 5/2016 McConnell D7/395

D761,613 S 7/2016 Moon et al.

D763,618 S * 8/2016 Feng D7/354

2001/0042753 A1 11/2001 Park

2004/0200851 A1 10/2004 Wooderson

2011/0260023 A1 10/2011 Braun

2012/0055347 A1 3/2012 Kim

2015/0196157 A1* 7/2015 Swirth A47J 27/13
220/573.1

OTHER PUBLICATIONS

Stainless Steel Saucier Pan, posted at LeCreuset.com, posted on Dec. 18, 2016, site visited Feb. 8, 2017, <<http://www.lecreuset.com/stainless-steel-saucier-pans>>.*

Revere® Copper Confidence Core™ 2-qt Stainless Steel Sauce Pot w/ Lid, posted at Revereware.com, no posting date given, © 2017, site visited Feb. 8, 2017, <<http://www.revereware.com/copper-confidence-core%E2%84%A2-2-qt-stainless-steel-sauce-pot-w%2F-lid/1123142.html>>.*

The Kitchen Craft Difference, posted at Kitchencraftcookware.com, no posting date given, © 2017, <<http://www.kitchencraftcookware.com/about-us/>>.*

Japanese Office Action dated Jun. 27, 2017 issued in connection with Japanese Design Application No. 2016-018858.

Visions® 2.25L Casserole, 2.5L Saucepan/Stewpot Glass Lid, posted at Corningware.com, posted on Mar. 3, 2016, site visited Feb. 8, 2017, <<http://www.corningware.com/2.25l-casserole,-2.5l-saucepan-%2F-stewpot-glass-lid/1122299.html>>.

10-piece Stainless Steel Cookware Set with Glass Lids, posted at Houzz.com, no posting date given, © 2017, <<http://www.houzz.com/photos/5834412/10-piece-Stainless-Steel-Cookware-Set-with-Glass-Lids-contemporary-cookware-sets>>.

Visual kitchen pot lid tempered glass cover large non-stick saucepan skillet stainless steel, posted at Aliexpress.com, no posting date given, © 2010-2016, site visited Feb. 8, 2017, <https://www.aliexpress.com/store/product/Visual-kitchen-pot-lid-tempered-glass-cover-large-non-stick-saucepan-skillet-stainless-steel-wok-lid/1726173_32453754257.html>.

Frieling USA Black Cube Hybrid Stainless/Nonstick Cookware Tempered Glass Lid, 8-Inch Diameter, posted at Amazon.com, posted on Sep. 24, 2015, site visited Feb. 8, 2017, <https://www.amazon.com/Frieling-Stainless-Nonstick-Cookware-Tempered/dp/B015XX9FF4/ref=sr_1_7?ie=UTF8&qid=1486571221&sr=8-7&keywords=glass+and+metal+pan+lid>.

* cited by examiner

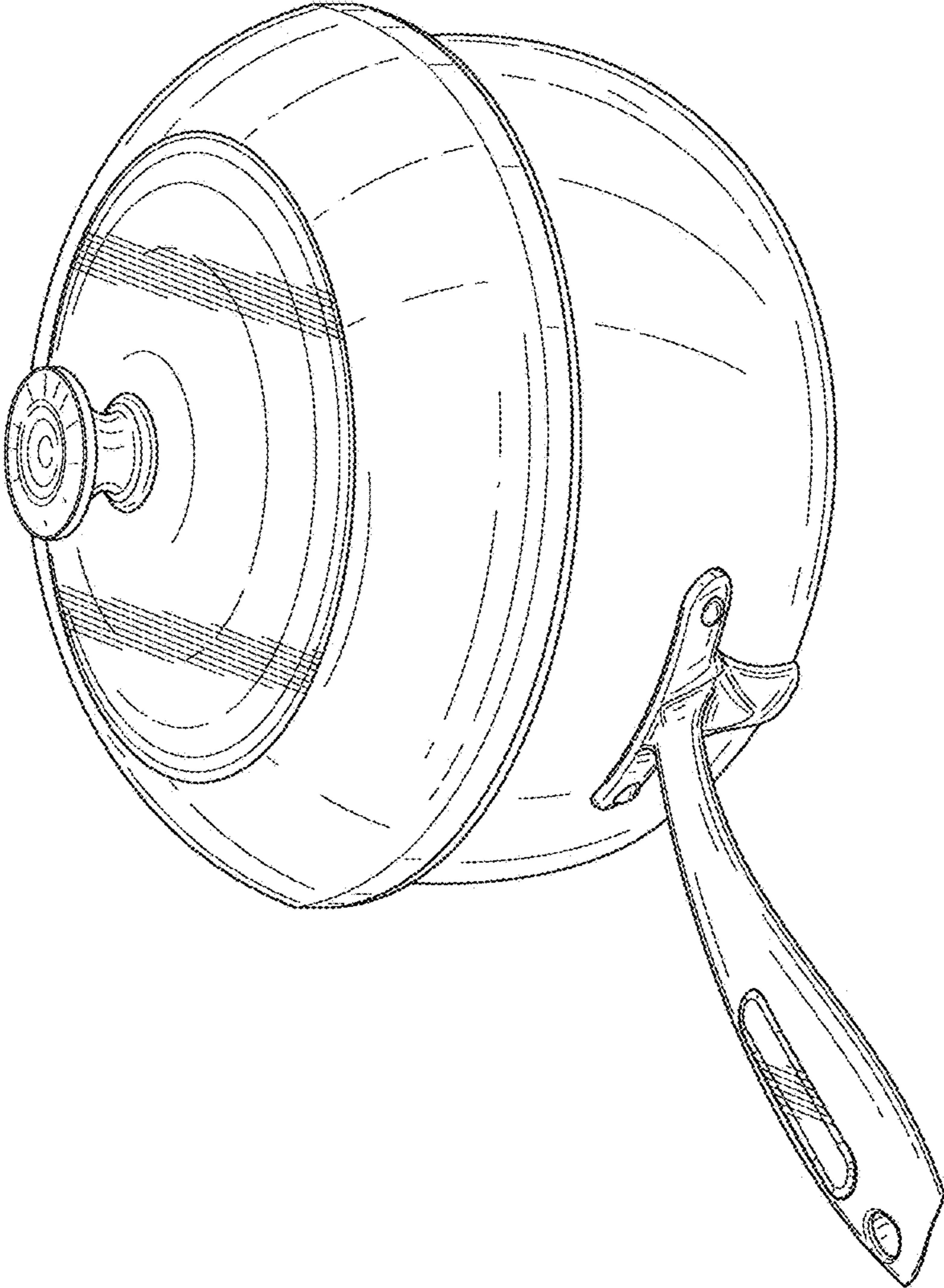


FIG. 1

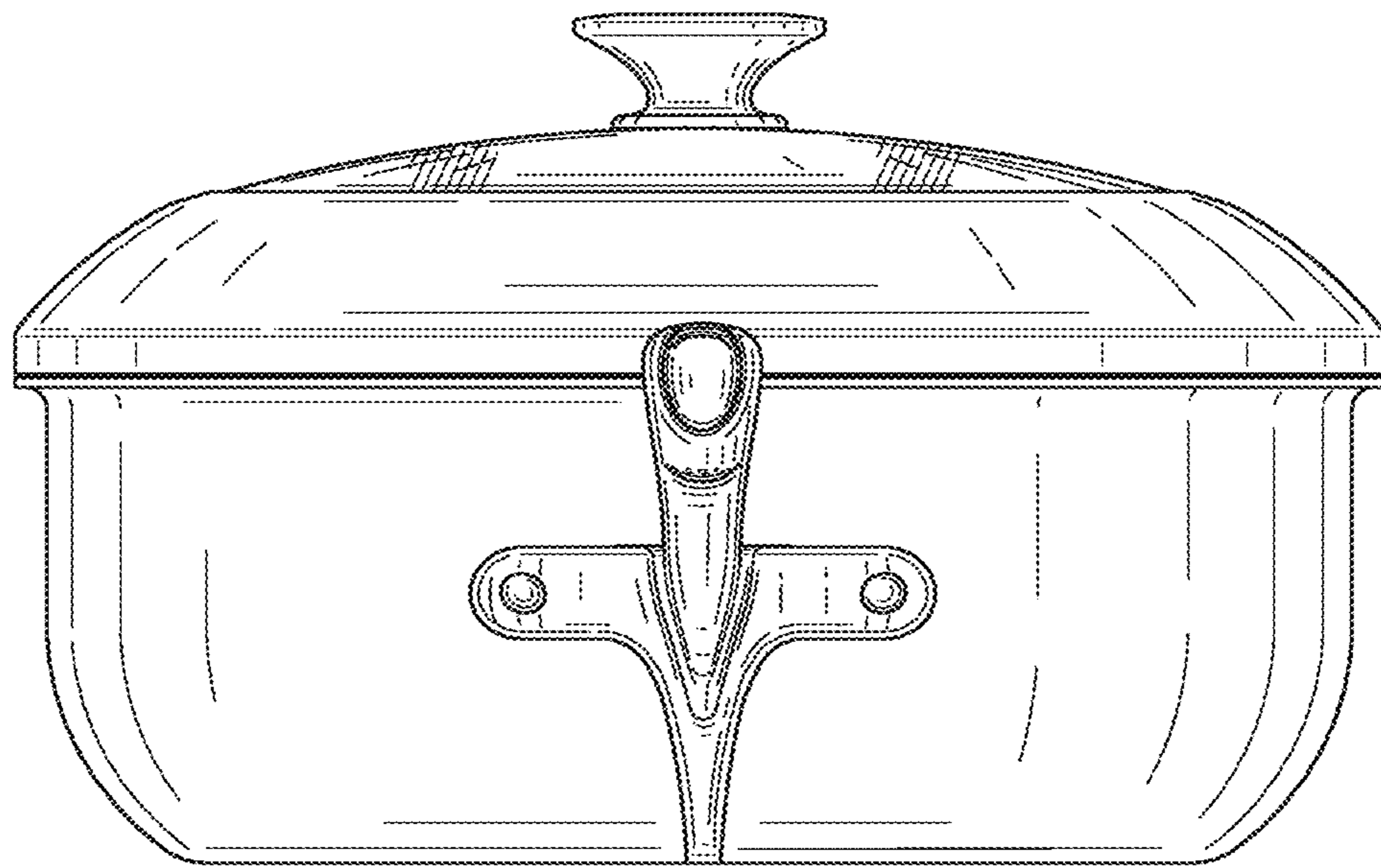


FIG. 2

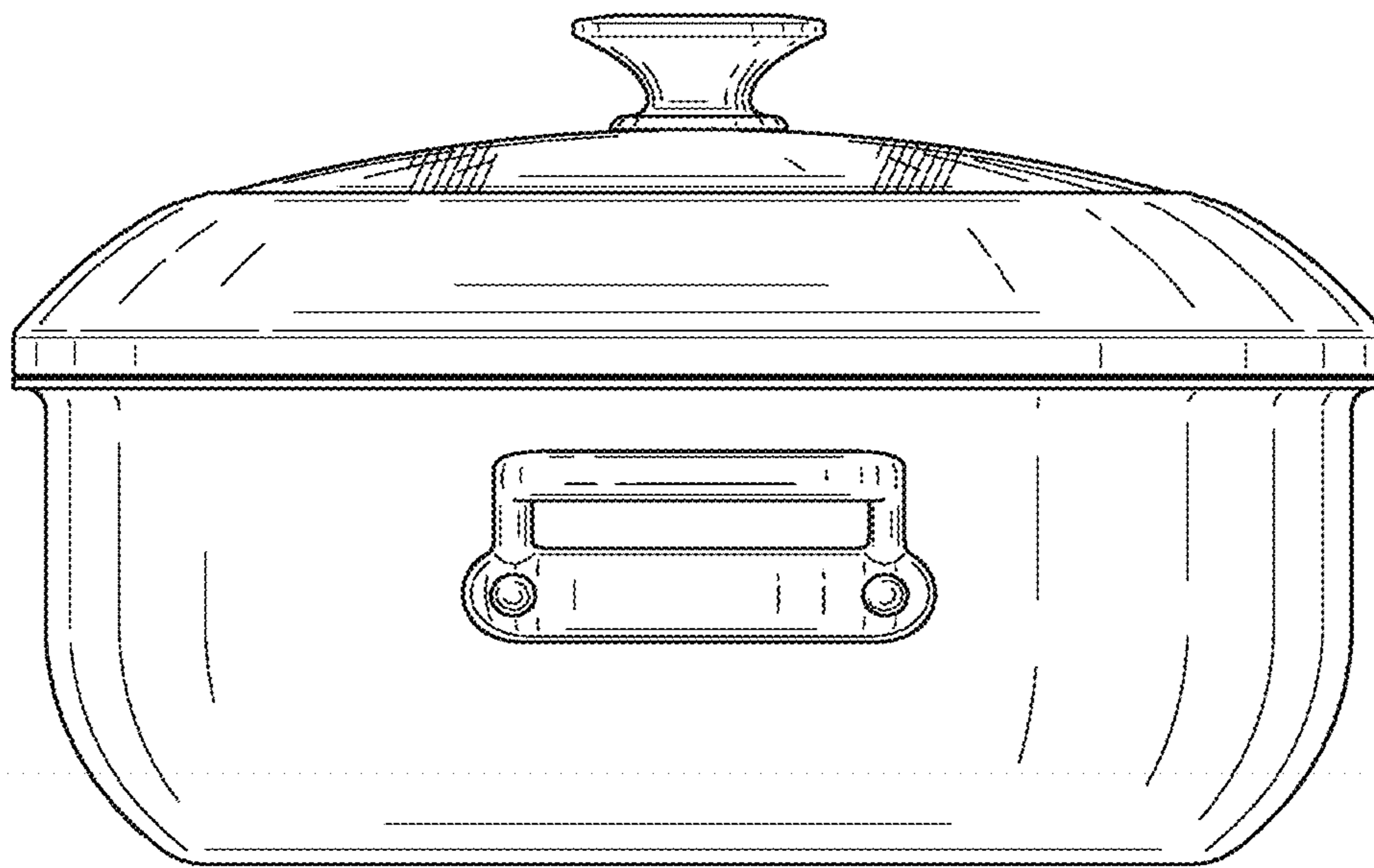


FIG. 3

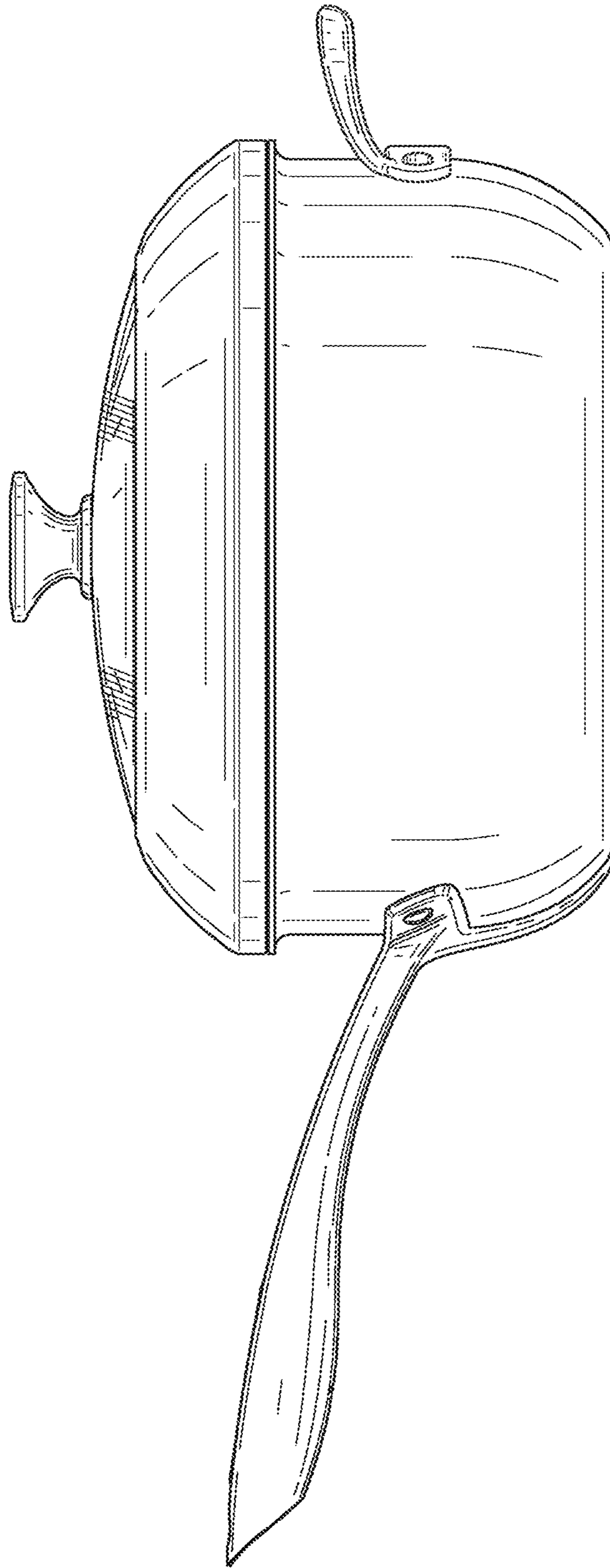


FIG. 4

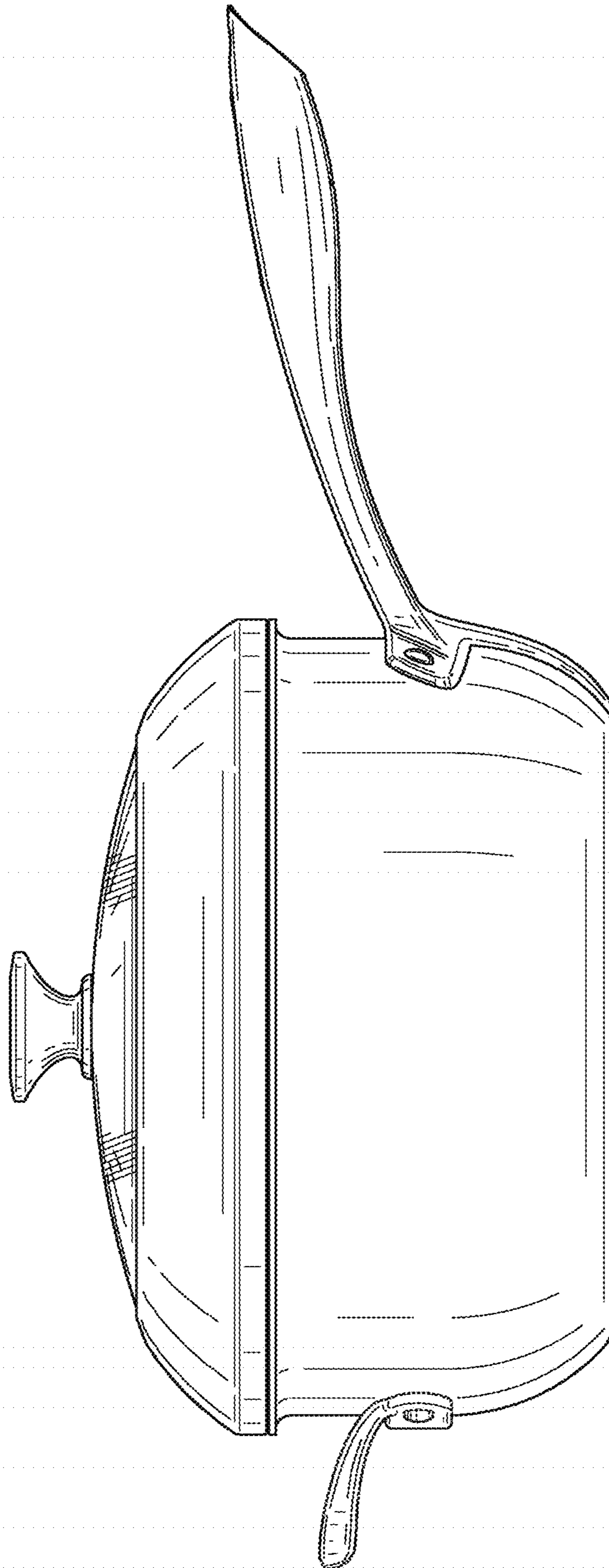


FIG. 5

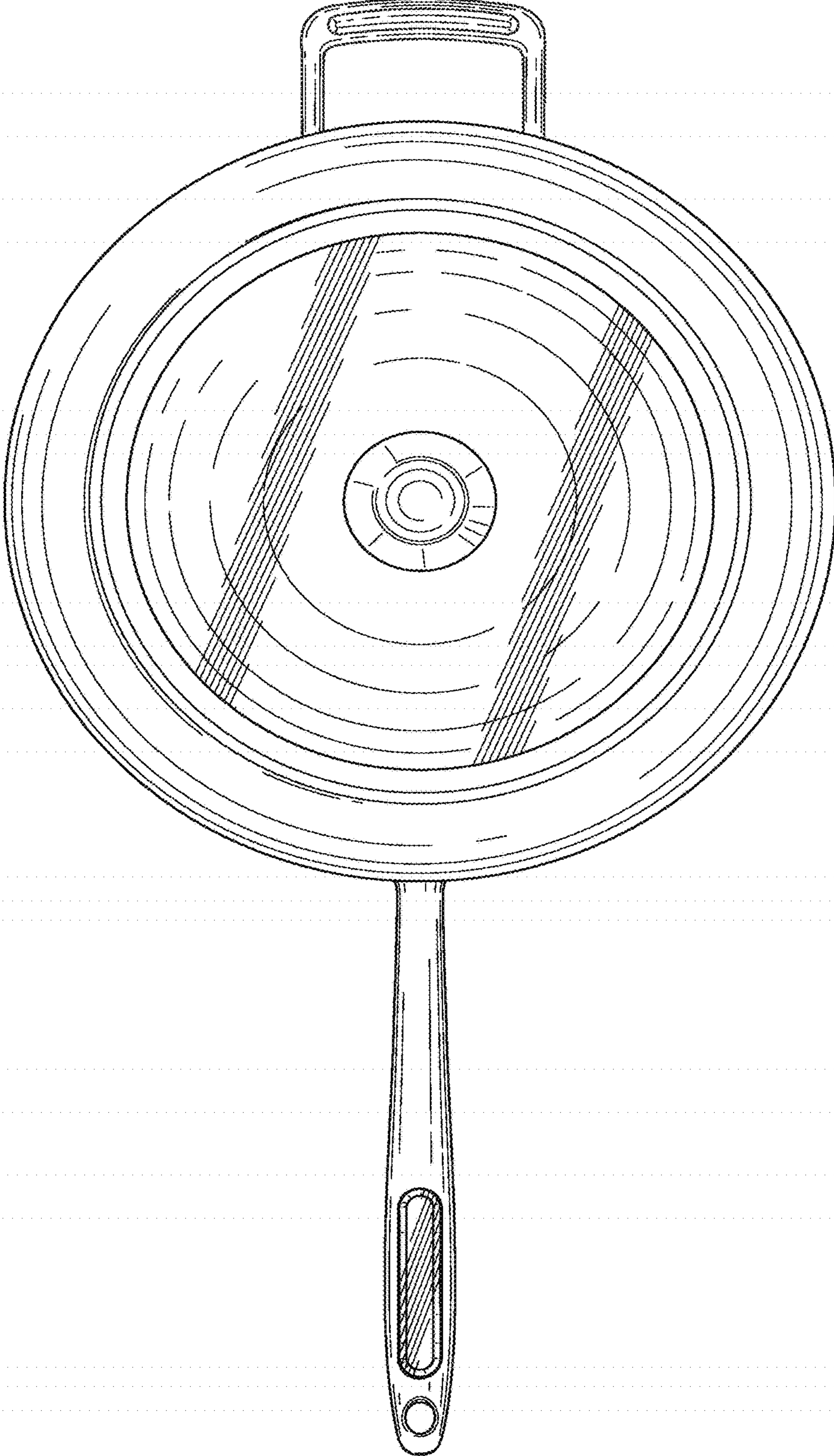


FIG. 6

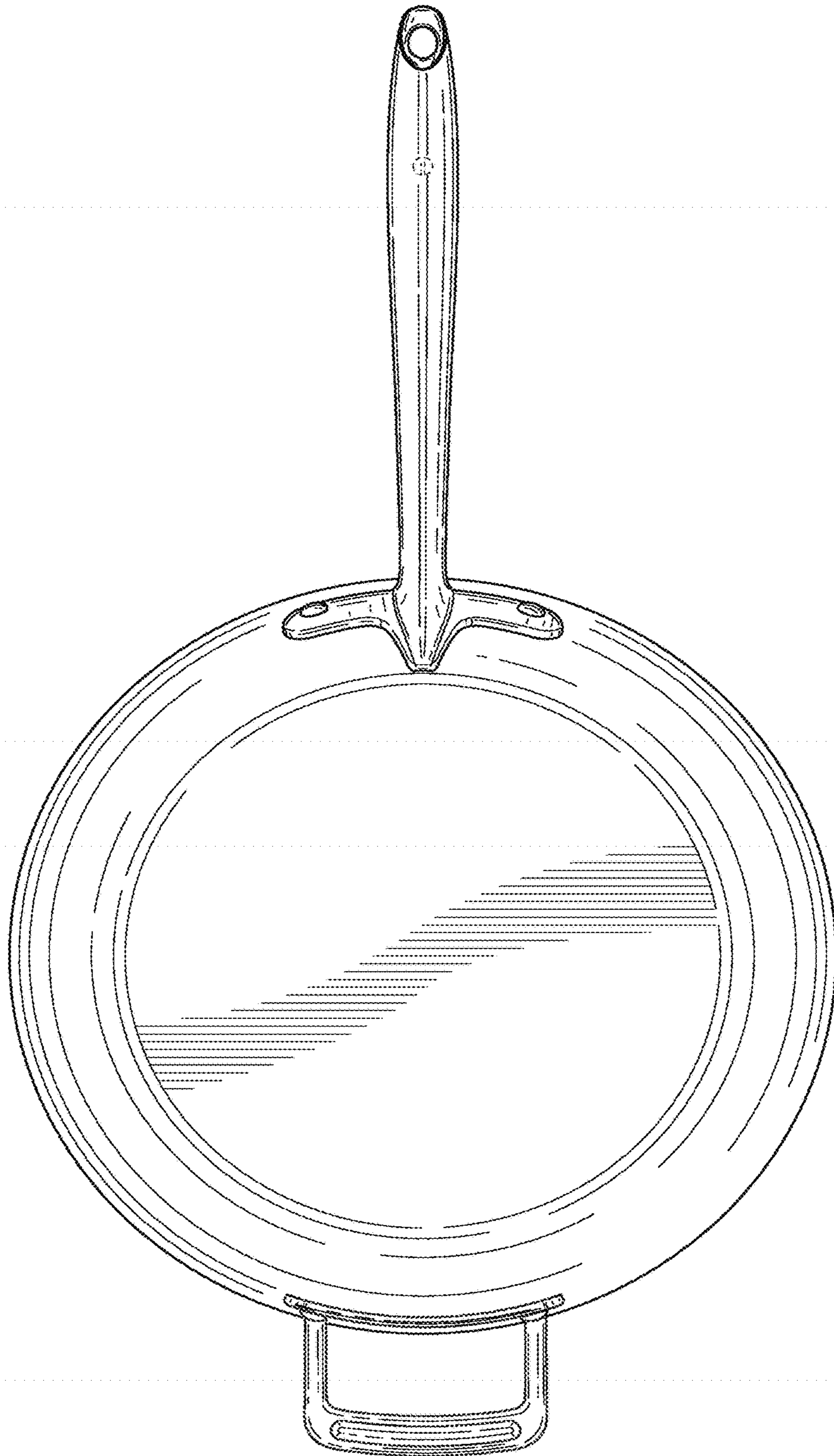


FIG. 7

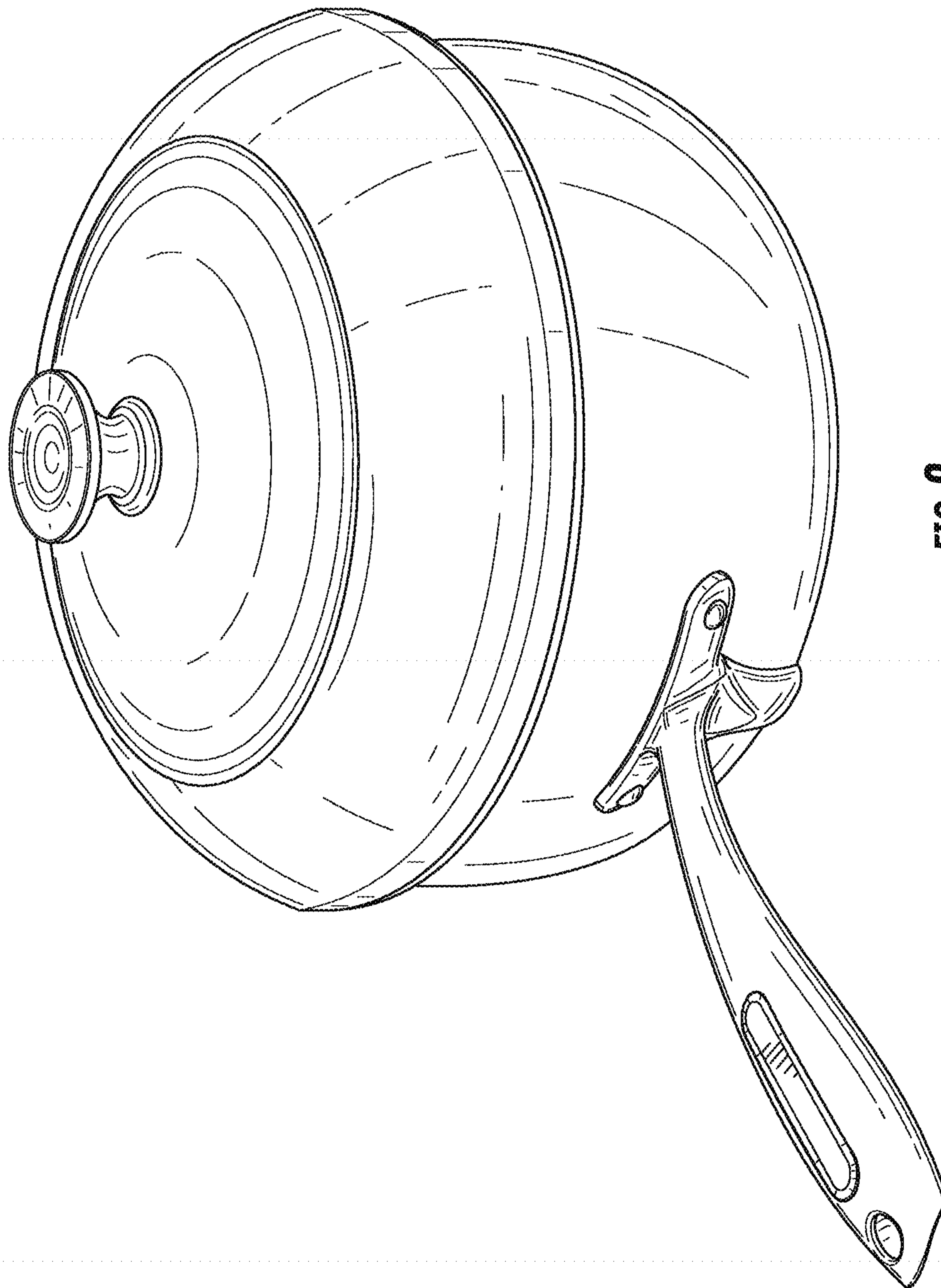


FIG. 8

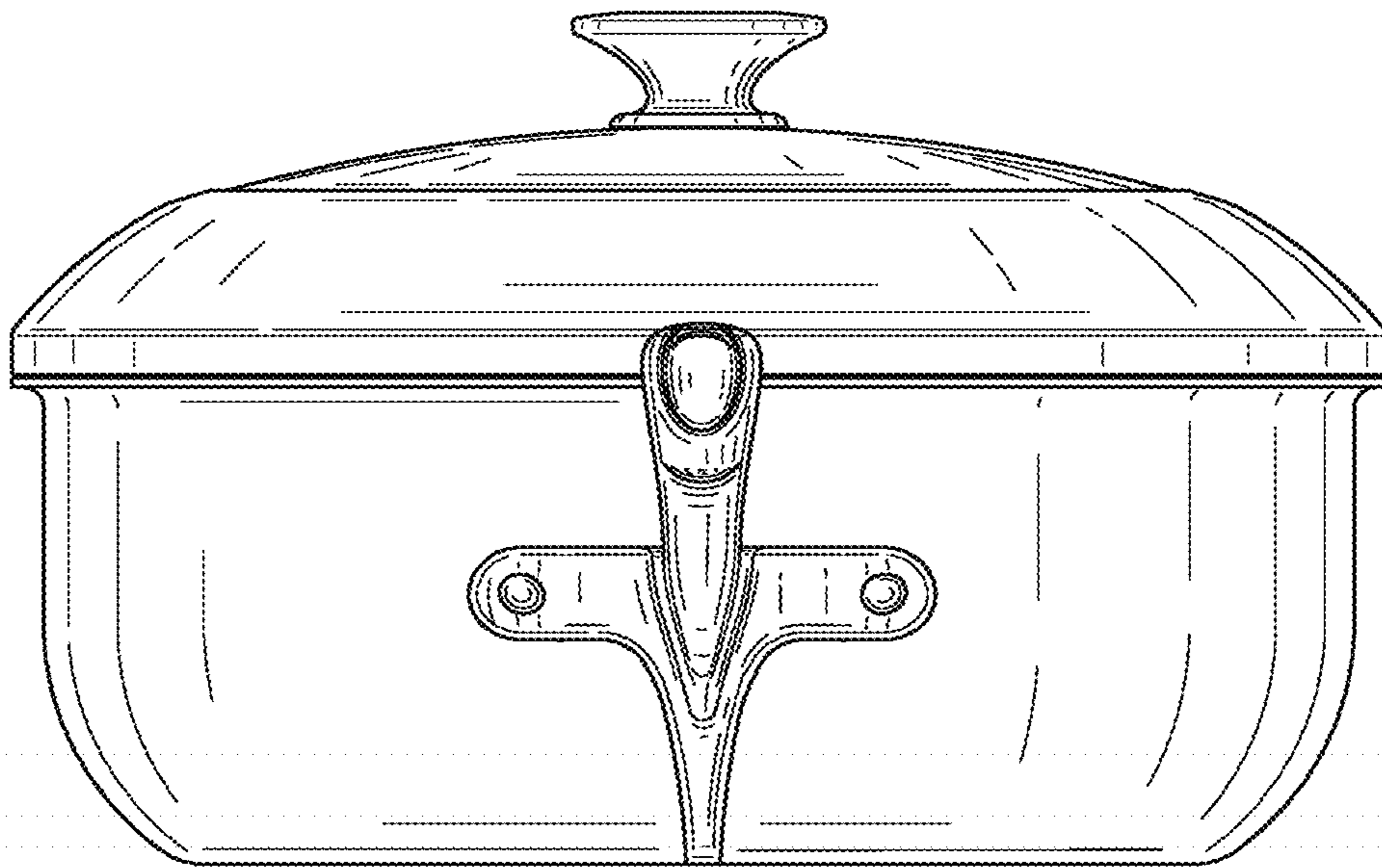


FIG. 9

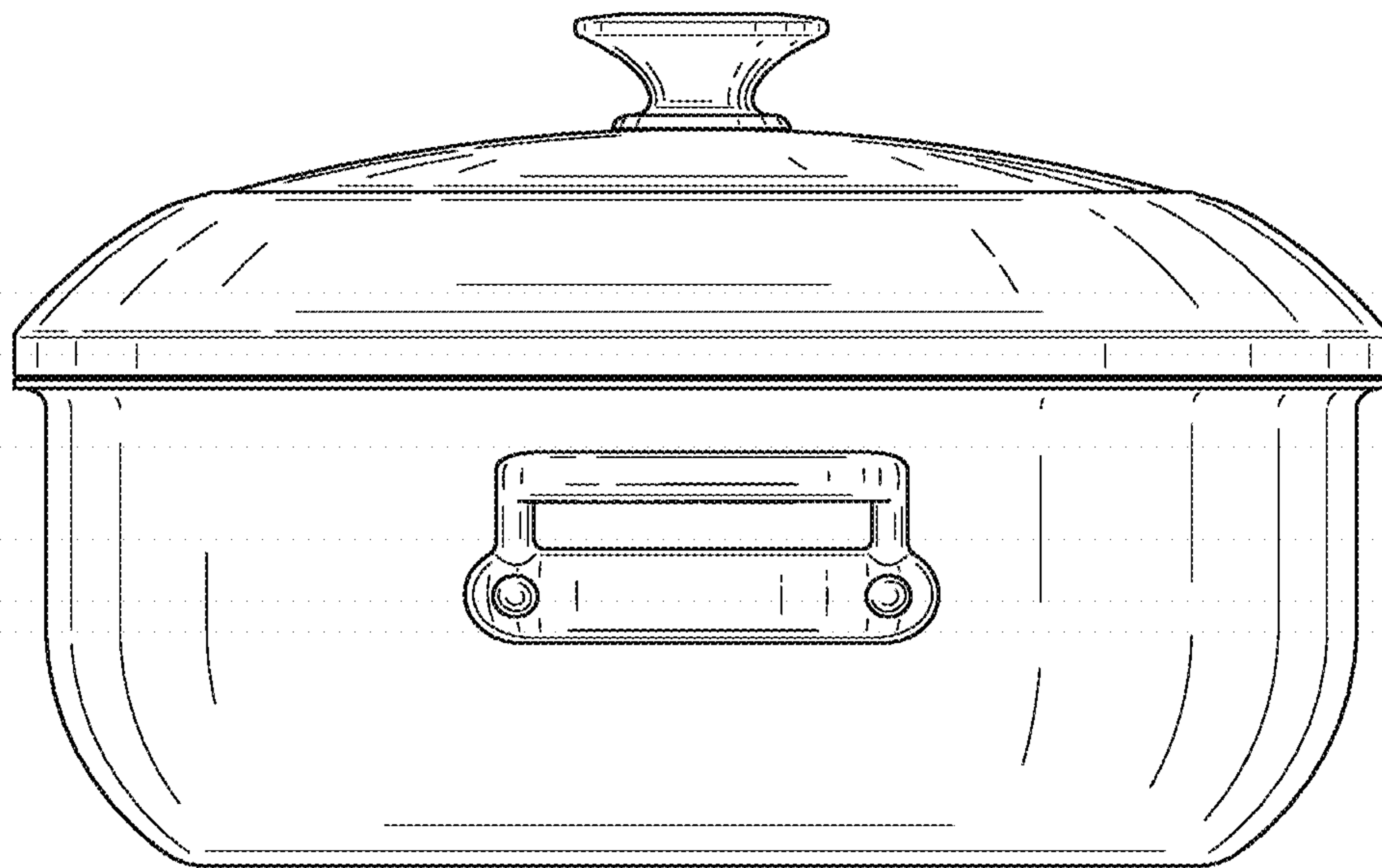


FIG. 10

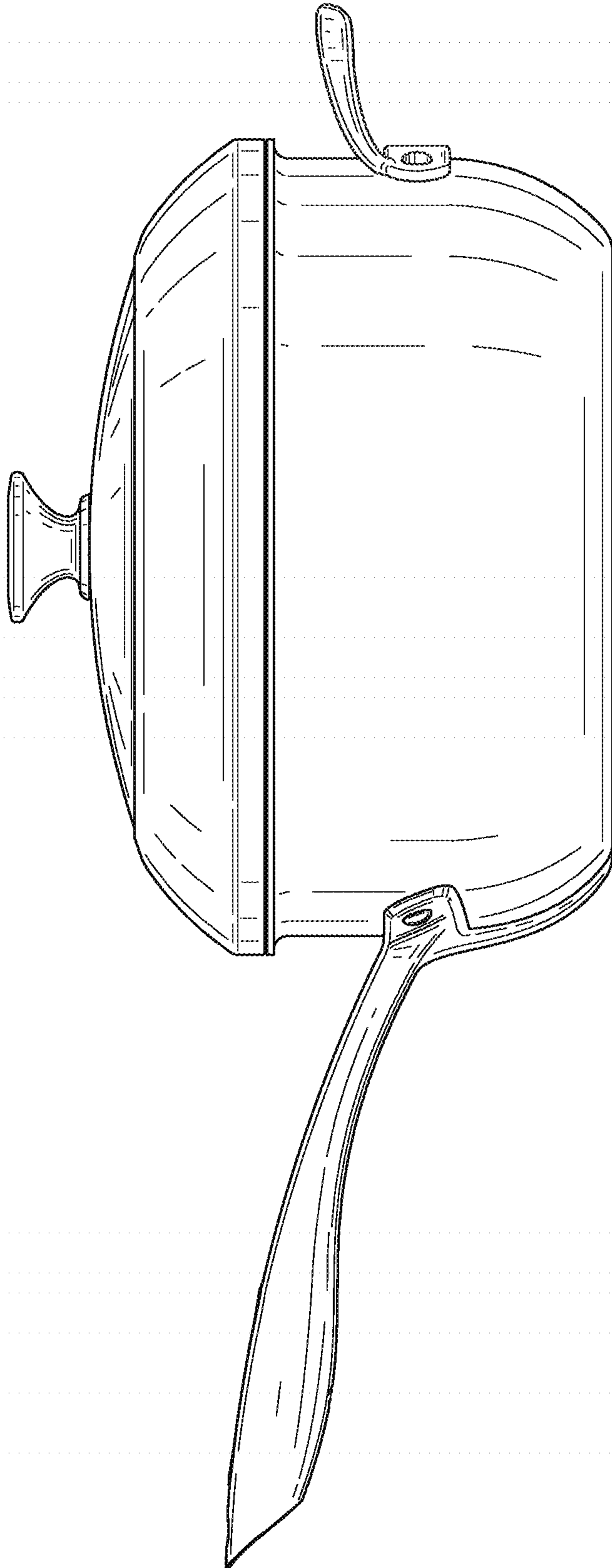


FIG. 11

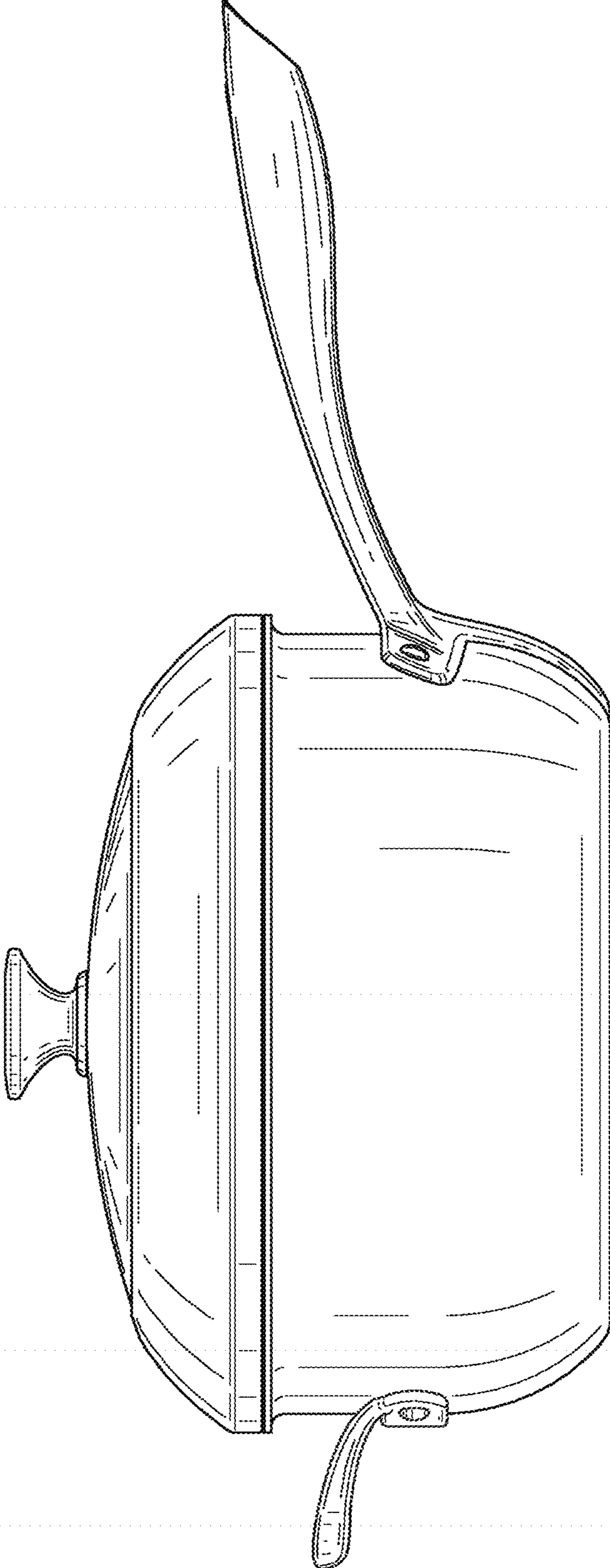


FIG. 12

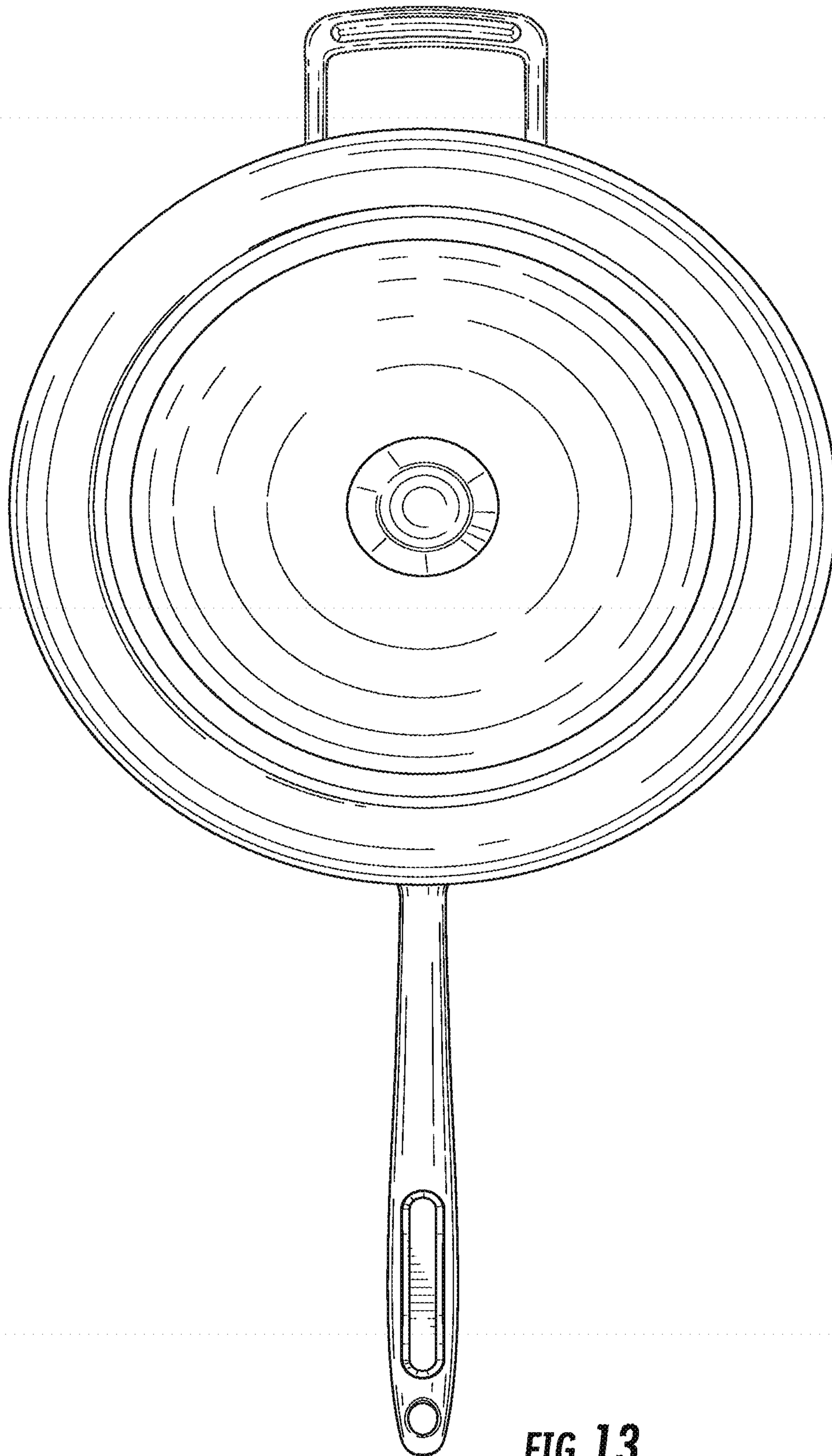


FIG. 13

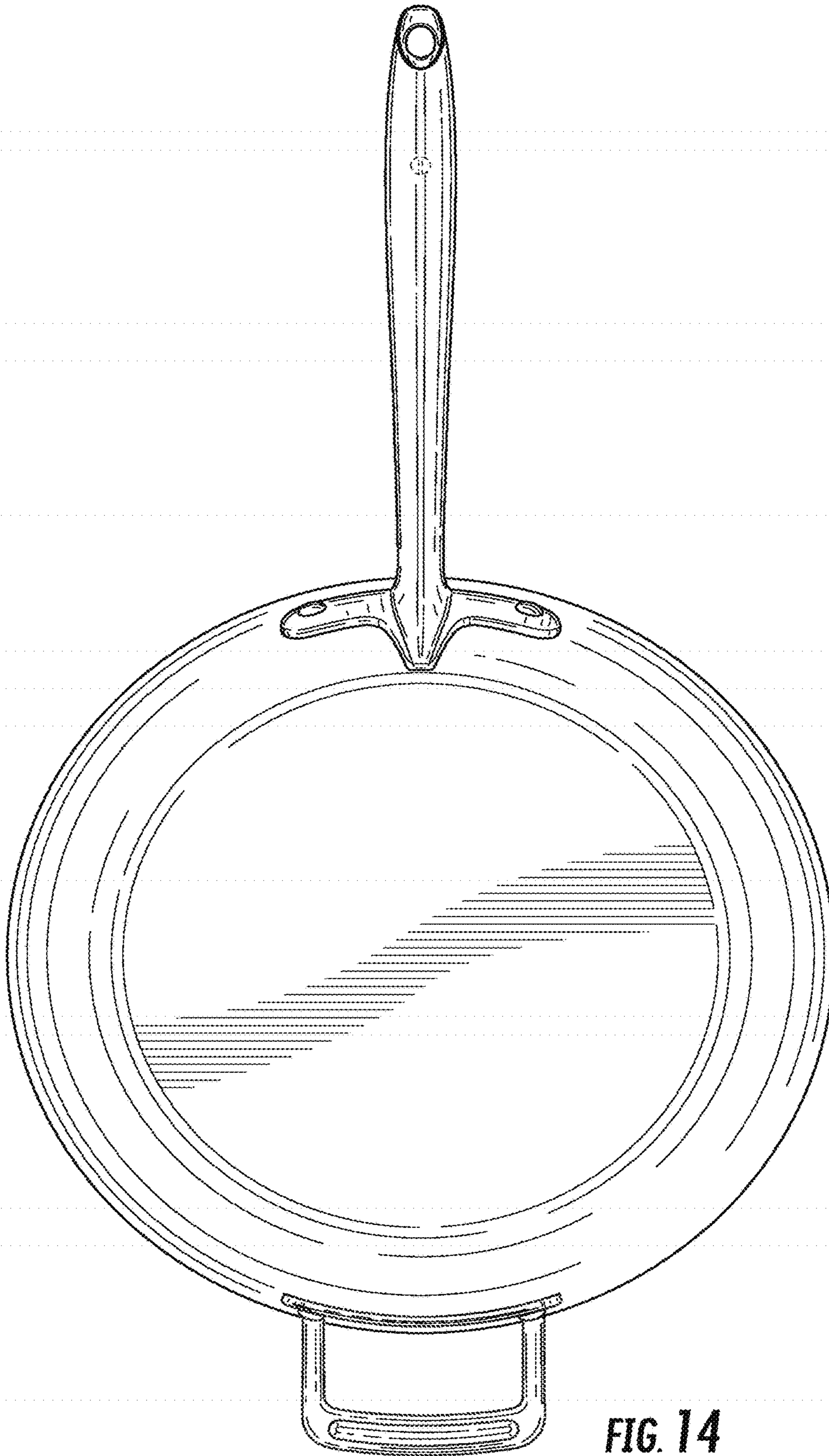


FIG. 14