



US00D812411S

(12) **United States Design Patent**
Schwamkrug et al.

(10) **Patent No.:** **US D812,411 S**
(45) **Date of Patent:** **** Mar. 13, 2018**

- (54) **OVEN**
- (71) Applicant: **Convotherm Elektrogerate GmbH**, Eglfing (DE)
- (72) Inventors: **Christian Schwamkrug**, Zell am See (AT); **Siegfried Ebner**, Zell am See (AT); **Martin Behle**, Remscheid (DE); **Hannes Laessig**, Munich (DE); **Stan Smits**, Weilheim (DE); **Herbert Fischhaber**, Peibeneberg (DE)
- (73) Assignee: **CONVOTHERM ELEKTROGERATE GMBH**, Eglfing (DE)

D343,090 S	1/1994	Connell	
D522,800 S *	6/2006	Lee	D7/351
D526,527 S	8/2006	Jung et al.	
D560,421 S	1/2008	Davis	
D565,341 S *	4/2008	Jeon	D7/351
D567,571 S	4/2008	Hillmann et al.	
D598,236 S	8/2009	Dyson et al.	
D609,958 S	2/2010	Chung et al.	
D611,753 S	3/2010	Gammack et al.	
D632,125 S *	2/2011	Kim	D7/351
D669,727 S	10/2012	Pagano	
D699,504 S *	2/2014	Eades	D7/351
D702,482 S	4/2014	Davis et al.	
D705,591 S *	5/2014	Lee	D7/351
D712,694 S *	9/2014	Kim	D7/351
2005/0178757 A1	8/2005	Starr et al.	

* cited by examiner

(**) Term: **15 Years**

Primary Examiner — Ruth McInroy

(21) Appl. No.: **29/549,738**

(74) *Attorney, Agent, or Firm* — Ohlandt, Greeley, Ruggiero & Perle, LLP

(22) Filed: **Dec. 28, 2015**

Related U.S. Application Data

(63) Continuation of application No. 29/493,037, filed on Jun. 5, 2014, now Pat. No. Des. 765,457.

(51) **LOC (11) Cl.** **07-02**

(52) **U.S. Cl.**
USPC **D7/350.1**

(58) **Field of Classification Search**
USPC D7/350.1, 350.3–350.4, 351, 402, 405, D7/406, 332, 334
CPC A47J 37/00; A47J 37/0763; A47J 36/36; A21B 1/52; A21B 1/00; H05B 6/6426; H05B 6/6414; F24C 15/08
See application file for complete search history.

(56) **References Cited**

U.S. PATENT DOCUMENTS

D267,302 S *	12/1982	Suganoya	D7/351
D318,755 S	8/1991	Bonnet et al.	

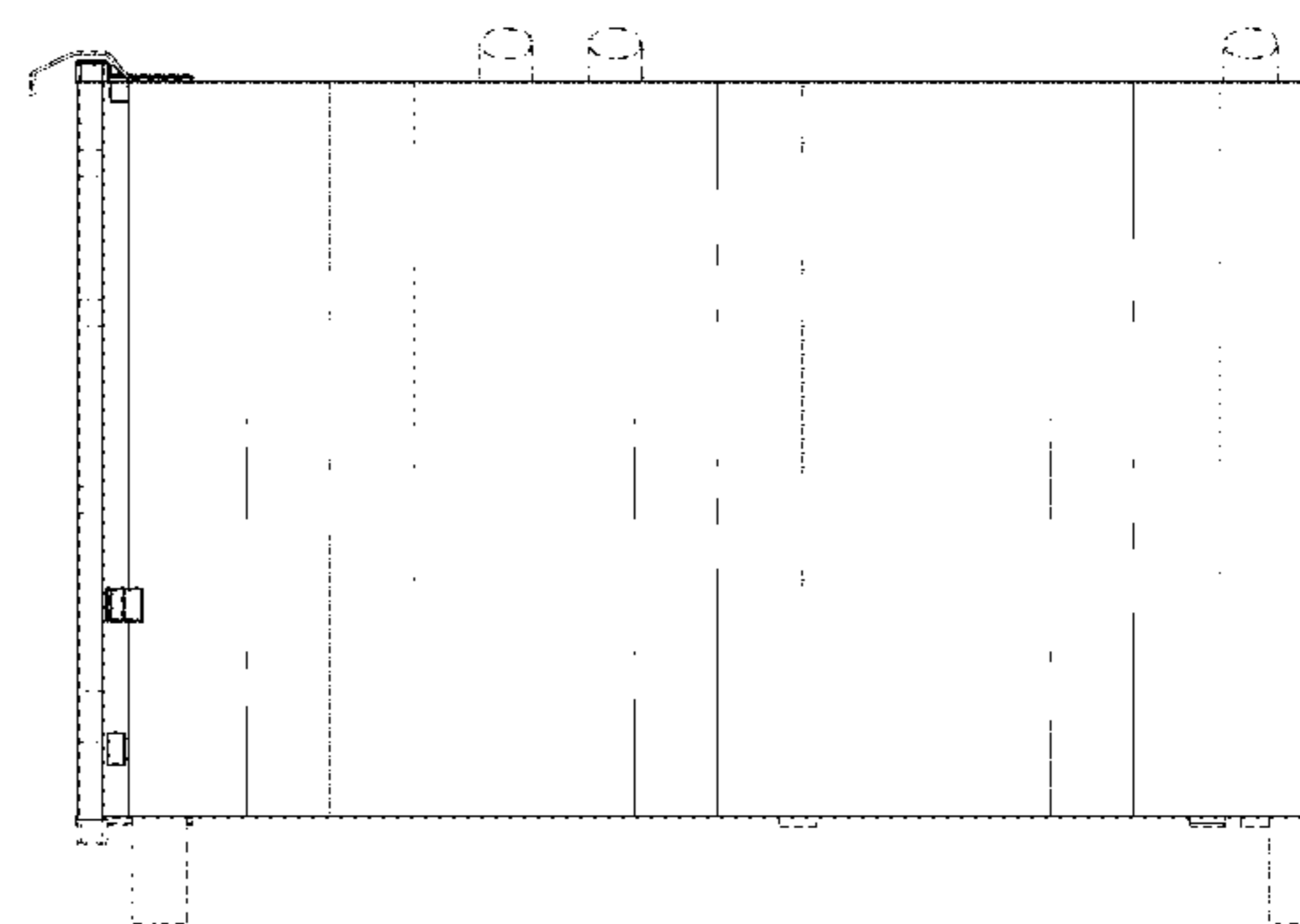
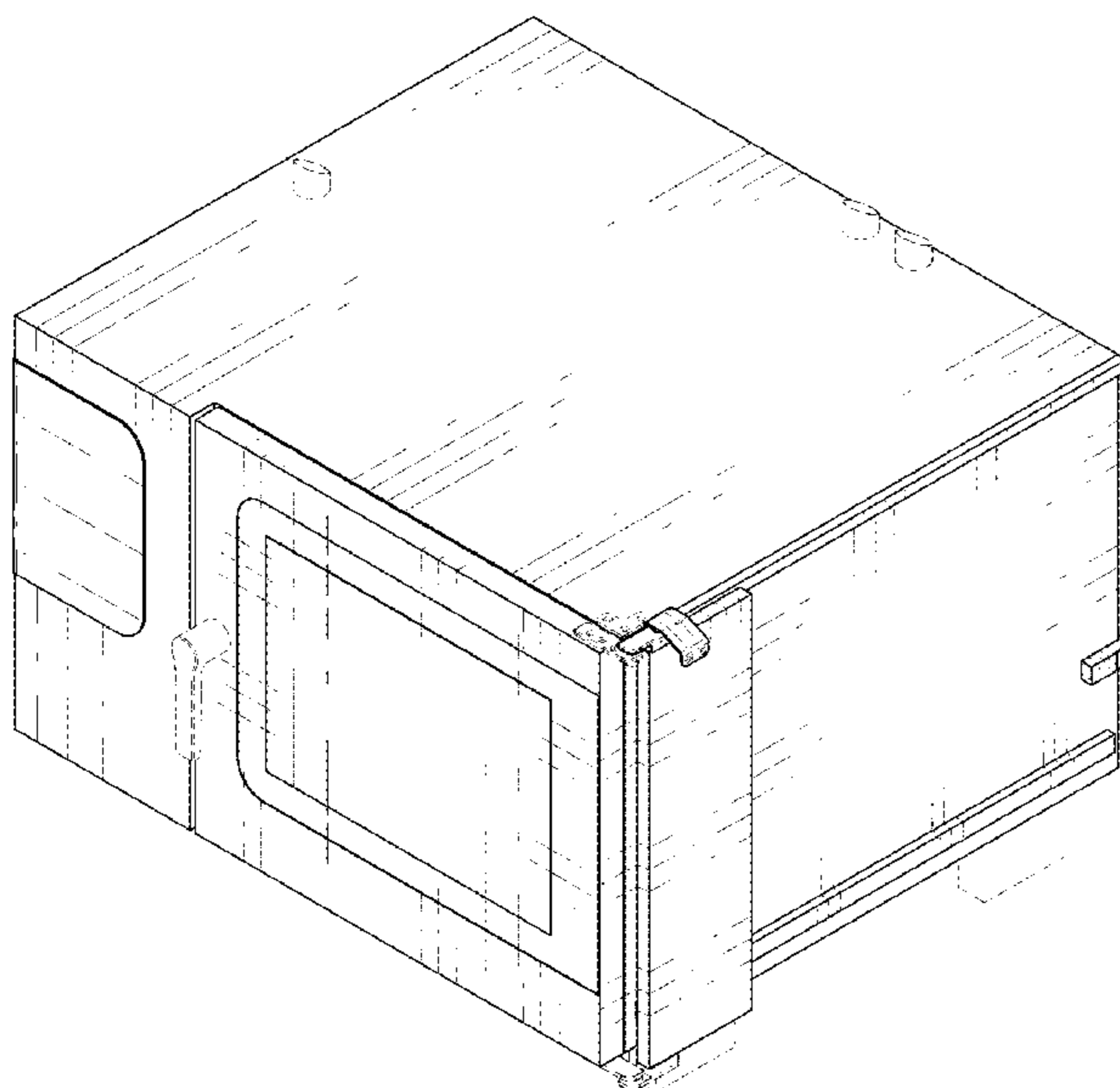
(57) **CLAIM**

The ornamental design for a oven, as shown and described.

DESCRIPTION

FIG. 1 is a top, front, side view of a oven according to the present design;
FIG. 2 is a front view of the oven of FIG. 1;
FIG. 3 is a rear view of the oven of FIG. 1;
FIG. 4 is a right side view of the oven of FIG. 1;
FIG. 5 is a left side view of the oven of FIG. 1;
FIG. 6 is a top view of the oven of FIG. 1; and,
FIG. 7 is a bottom view of the oven of FIG. 1.
The broken line showing of FIGS. 1-7 is for the purpose of illustrating environmental structure and forms no part of the claimed design.

1 Claim, 7 Drawing Sheets



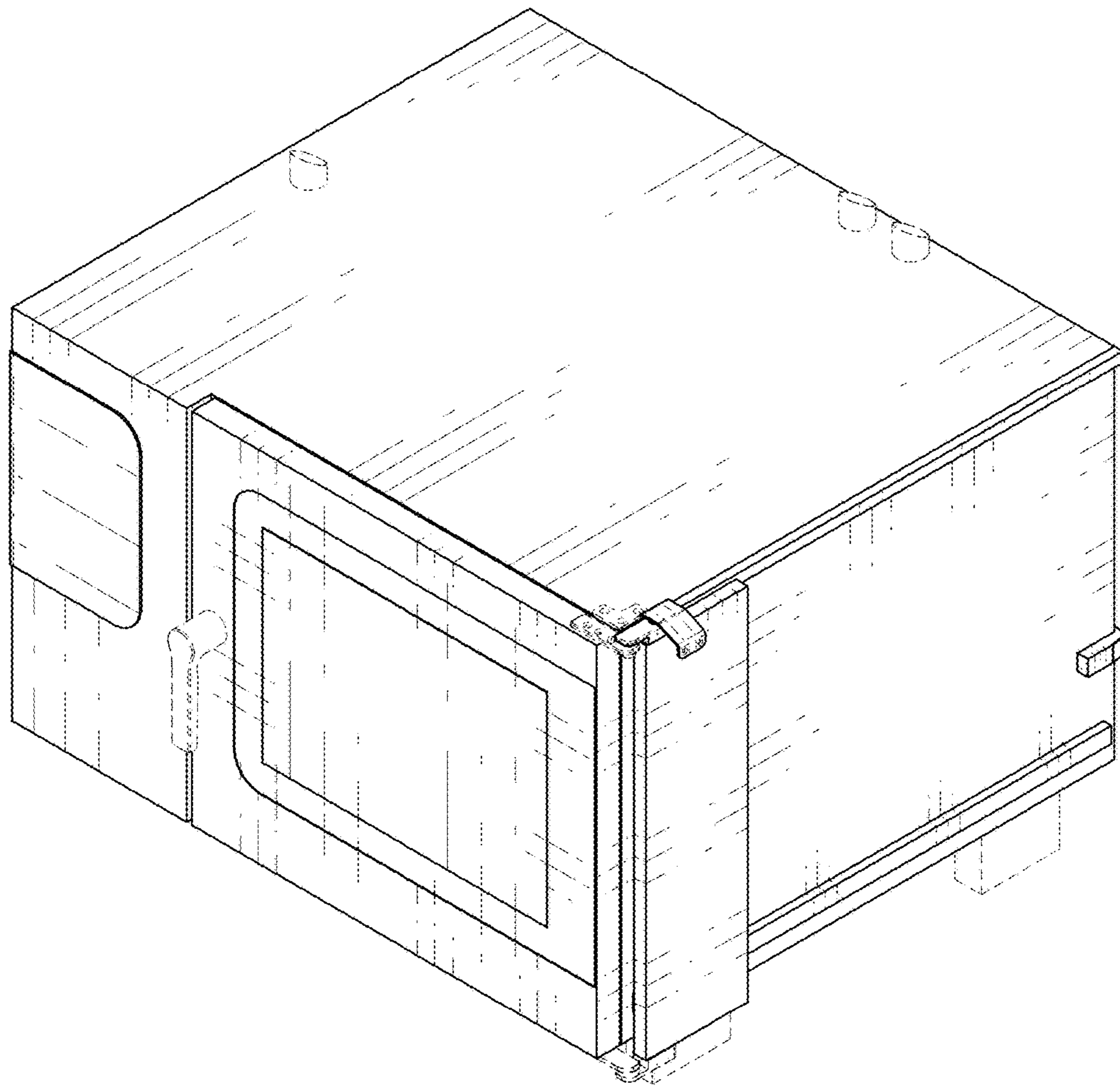


FIG. 1

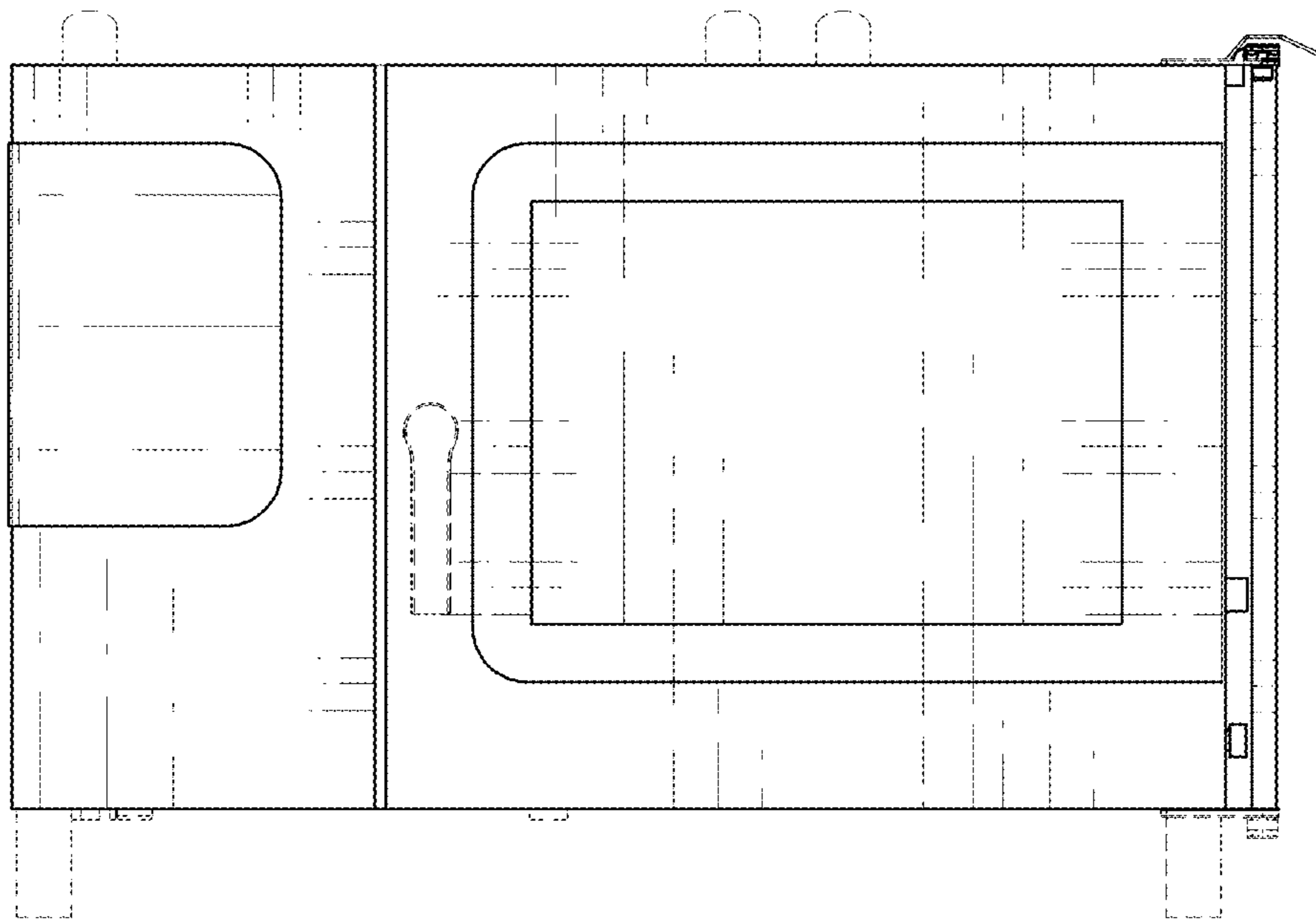


FIG. 2

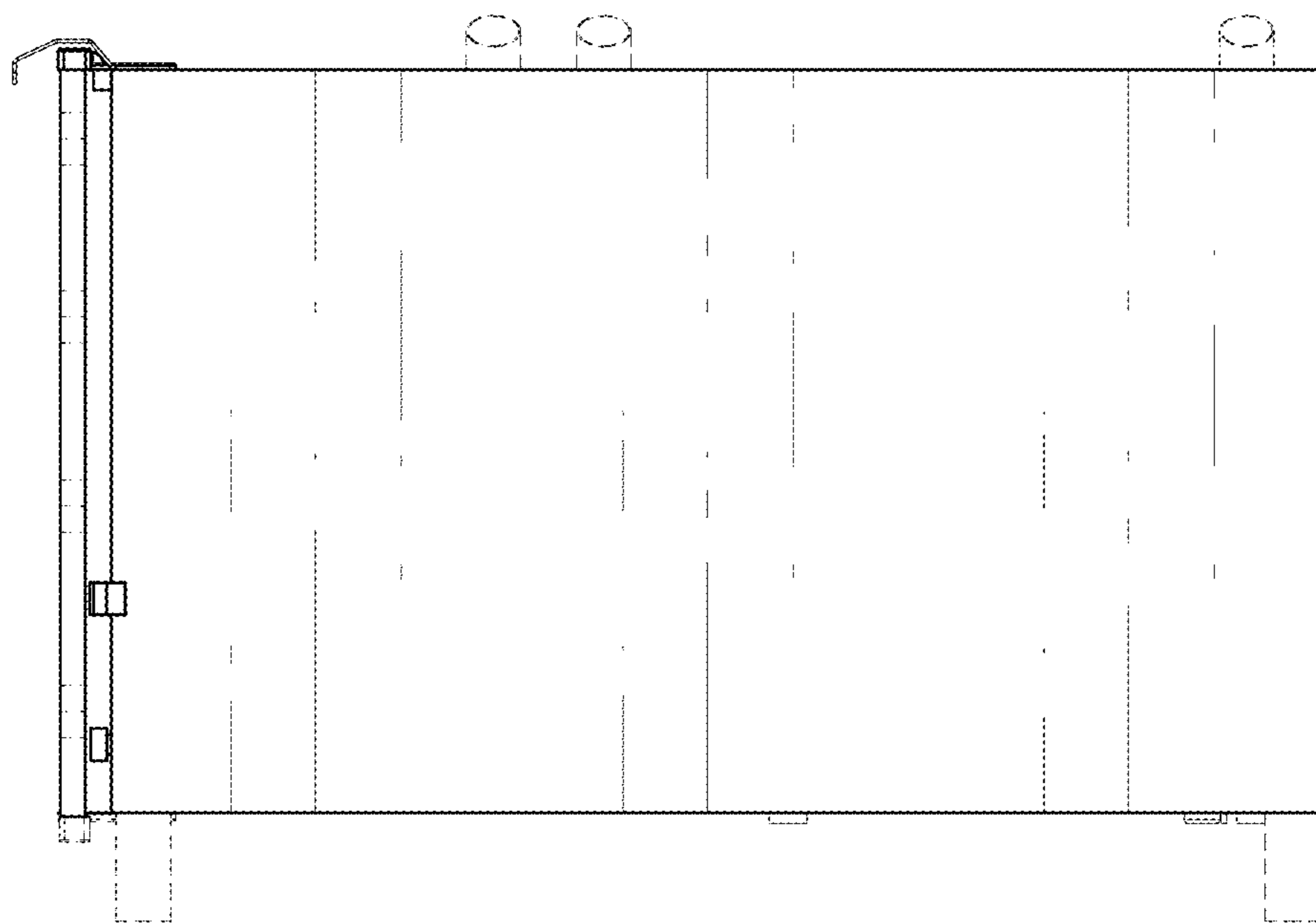


FIG. 3

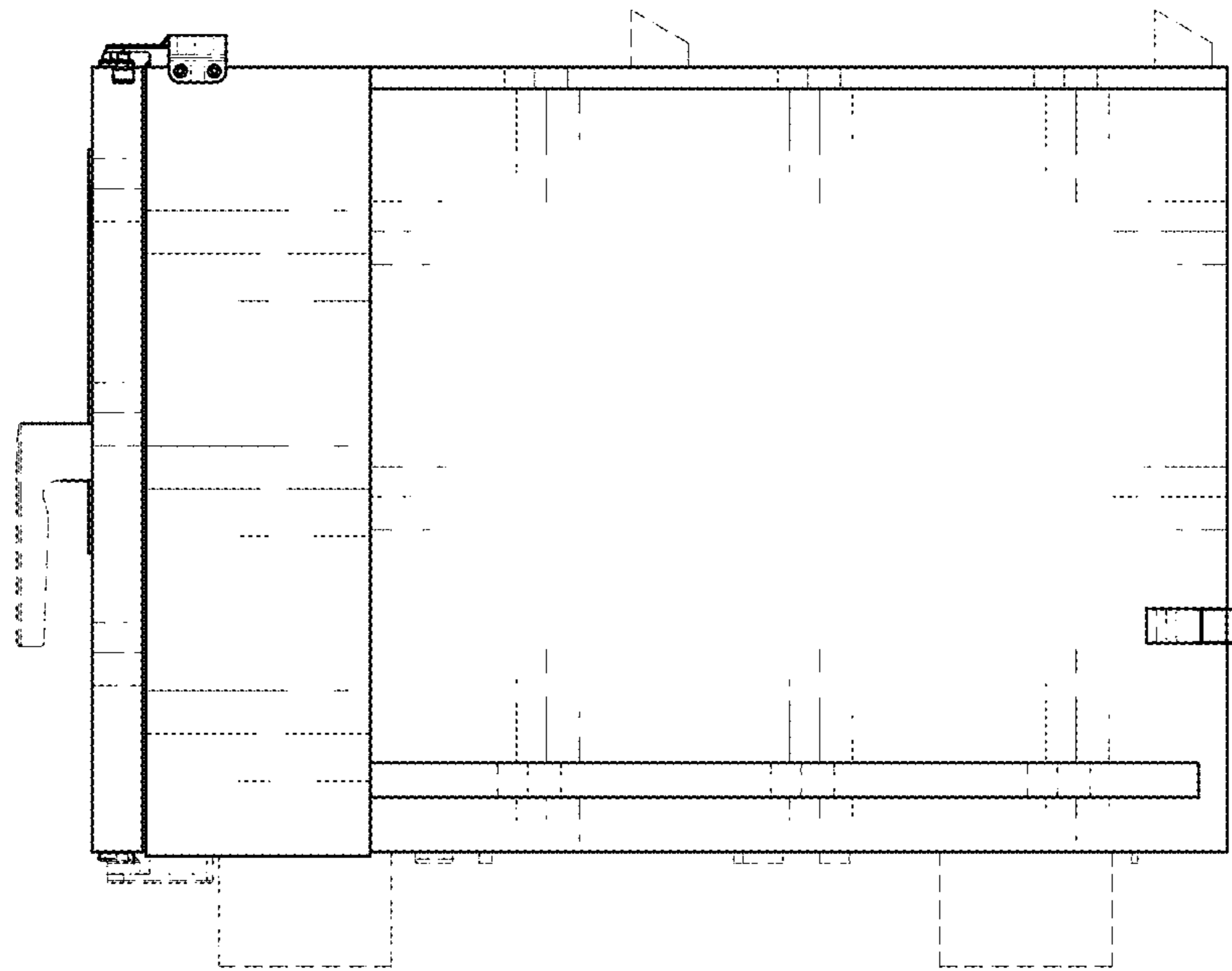


FIG. 4

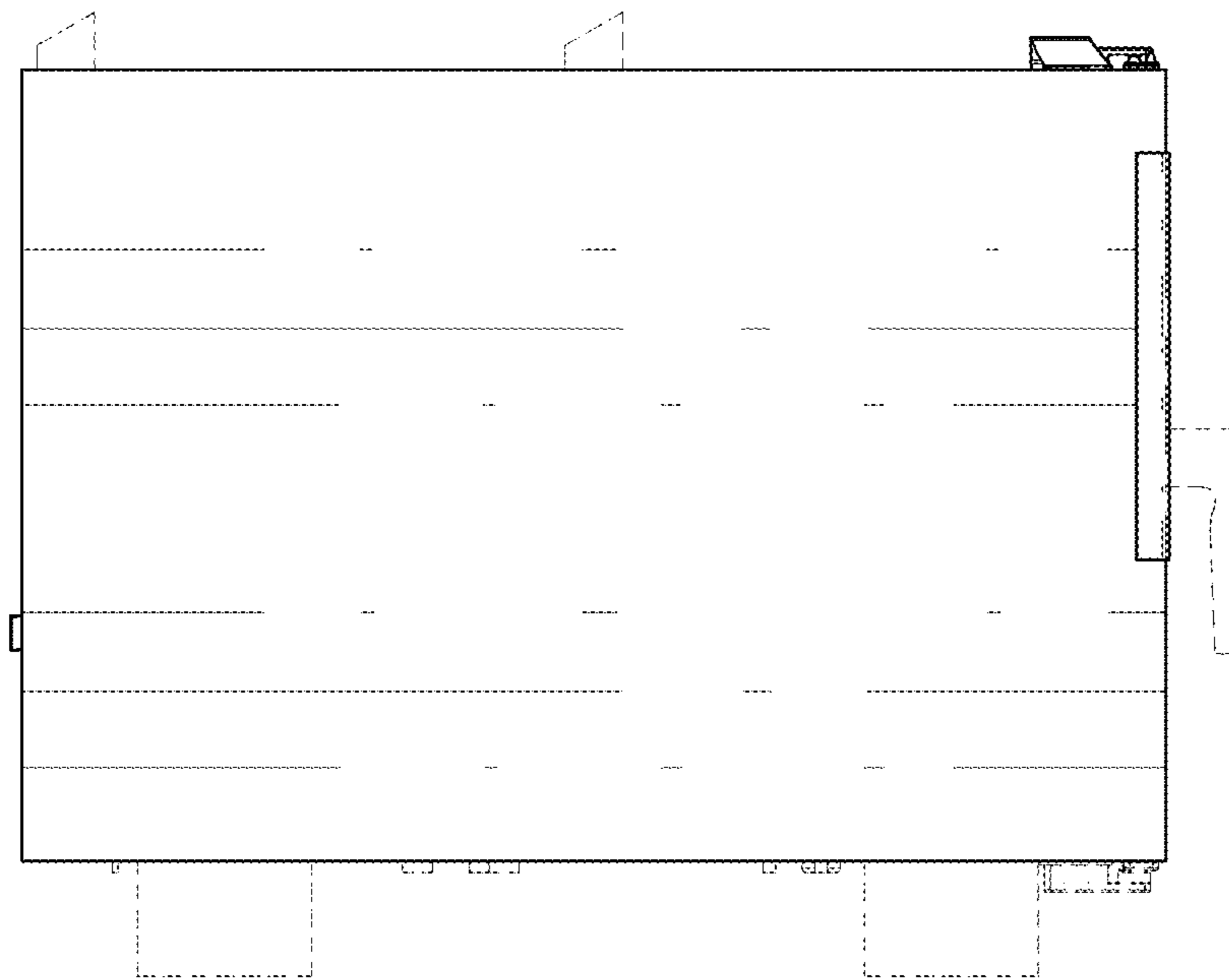


FIG. 5

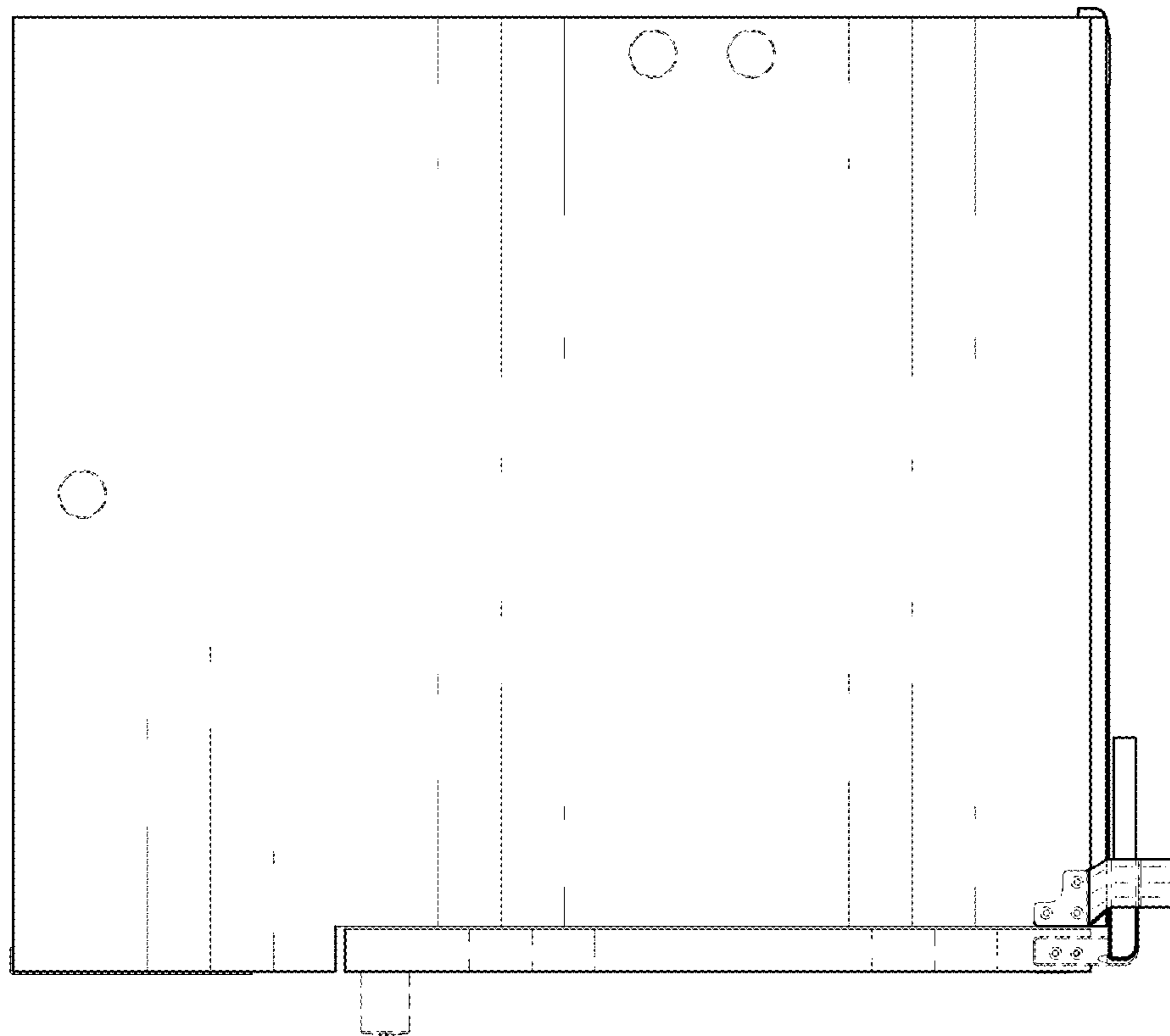


FIG. 6

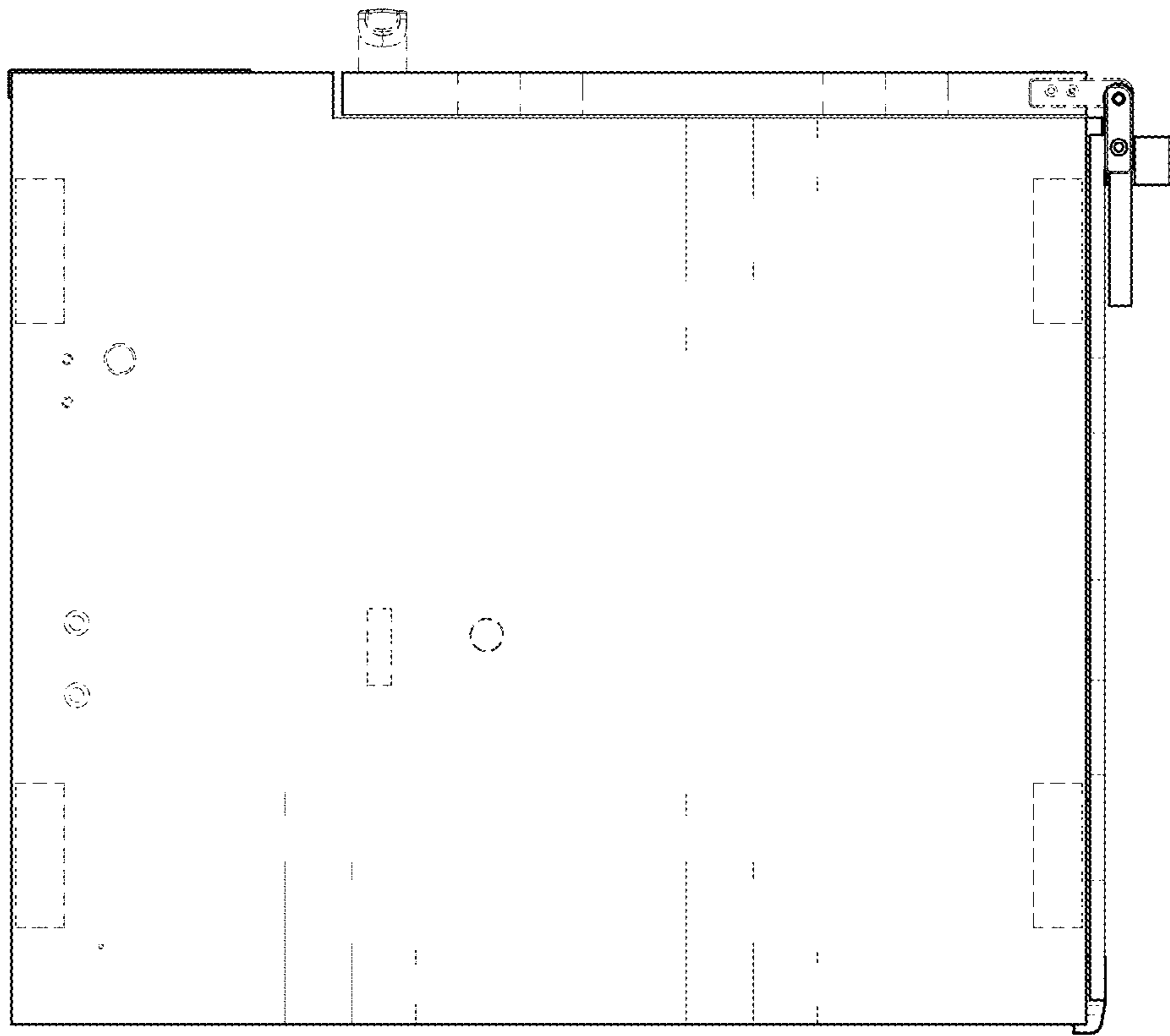


FIG. 7