



US00D812410S

(12) **United States Design Patent**
Kim et al.

(10) **Patent No.:** **US D812,410 S**
(45) **Date of Patent:** **** Mar. 13, 2018**

(54) **COOKTOP**

FOREIGN PATENT DOCUMENTS

(71) Applicant: **SAMSUNG ELECTRONICS CO., LTD.**, Suwon-si (KR)

CN 2015300842490 8/2015
KR 30-2003-0030919 8/2004
KR 30-2014-0020627 1/2015

(72) Inventors: **Jae-Jun Kim**, Seoul (KR); **Jae-Moon Lee**, Seoul (KR); **Hyeong-Ju Seo**, Seoul (KR); **Woo-Joo Choi**, Ahnyang-si (KR); **Jong-su Jeon**, Seoungnam-si (KR); **Hwan-Woong Choi**, Seoul (KR)

OTHER PUBLICATIONS

Samsung 36" Stainless Steel Gas Cooktop, posted at ABT.com, posted on © 1997-2017, site visited Oct. 25, 2017, <[http:// www.abt.com/product/105188/Samsung-36-Stainless-Steel-Gas-Cooktop-NA36K6550TS.html](http://www.abt.com/product/105188/Samsung-36-Stainless-Steel-Gas-Cooktop-NA36K6550TS.html)>.*

(73) Assignee: **Samsung Electronics Co., Ltd.**, Suwon-si (KR)

(Continued)

(**) Term: **15 Years**

Primary Examiner — Barbara Fox

Assistant Examiner — Messina L Smith

(21) Appl. No.: **29/585,768**

(74) *Attorney, Agent, or Firm* — NSIP Law

(22) Filed: **Nov. 29, 2016**

(57) **CLAIM**

(30) **Foreign Application Priority Data**

We claim the ornamental design for a cooktop, as shown and described.

Jun. 8, 2016 (KR) 30-2016-0027656

DESCRIPTION

(51) **LOC (11) Cl.** **07-02**

(52) **U.S. Cl.**
USPC **D7/346**

(58) **Field of Classification Search**
USPC D8/300–306; D7/323, 328–330,
D7/339–349, 390, 402–406;
D21/523–524
CPC ... A21B 2/00; A47J 37/00; A47J 37/06; A47J
37/0611; A47J 37/08; A47J 37/0807;
A47J 37/0814; A47J 37/0835; A47J
37/0842; A47J 37/085; A47J 37/0864;
A47J 37/0878;

FIG. 1 is a front perspective view of a cooktop showing our new design;

FIG. 2 is a front view thereof;

FIG. 3 is a rear view thereof;

FIG. 4 is a left-side view thereof;

FIG. 5 is a right-side view thereof;

FIG. 6 is a top view thereof;

FIG. 7 is a bottom view thereof;

FIG. 8 is an enlarged view of the encircled portion in FIG. 1;

FIG. 9 is an enlarged view of the encircled portion in FIG. 4; and,

FIG. 10 is an enlarged view of the encircled portion in FIG. 6.

The broken lines shown in the figures depict portions of the cooktop that form no part of the claimed design. The dot dash broken lines in the figures depict a boundary line and form no part of the claimed design.

(Continued)

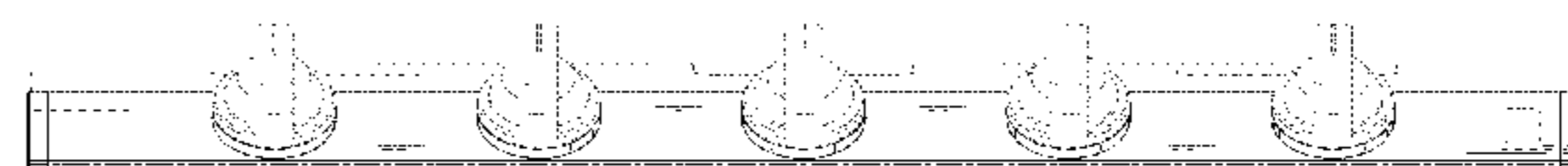
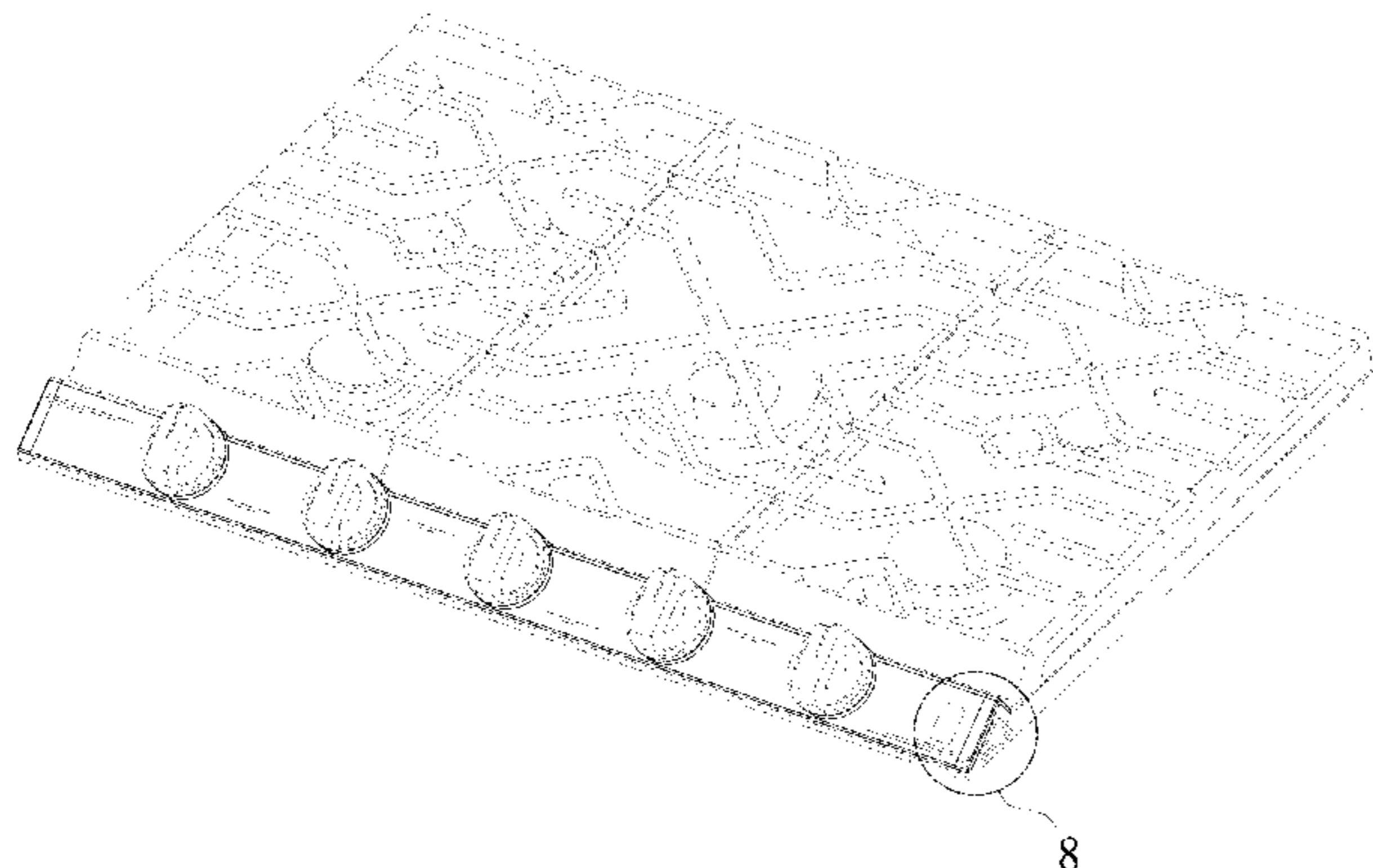
(56) **References Cited**

U.S. PATENT DOCUMENTS

D201,334 S * 6/1965 Gault D7/406
D682,614 S * 5/2013 Loyd D7/406

(Continued)

1 Claim, 10 Drawing Sheets



(58) **Field of Classification Search**

CPC A47J 37/0885; A47J 37/0892; F24C 7/00;
F24C 7/002; F24C 7/046; F24C 7/067;
F24C 15/04; F24C 15/10; F24C 15/102;
F24C 15/107

See application file for complete search history.

(56) **References Cited**

U.S. PATENT DOCUMENTS

D731,845	S	*	6/2015	Kim	D7/340
D755,008	S	*	5/2016	Kim	D7/406
D755,563	S	*	5/2016	Kim	D7/406
D773,232	S	*	12/2016	Shoemaker	D7/339
D787,255	S	*	5/2017	Cho	D7/339
D789,729	S	*	6/2017	Lee	D7/340
D790,916	S	*	7/2017	Kim	D7/406
D798,661	S	*	10/2017	Shoemaker	D7/408

OTHER PUBLICATIONS

Samsung—30" Gas Cooktop—Stainless Steel, posted at Pacificsales.com, posted on © 2017, site visited Oct. 25, 2017, <<https://www.pacificsales.com/pdp/Samsung-30-Gas-Cooktop-Stainless-Steel/5581711>>.*

“Kaff 4 Burner Cooktop—KC 60 SSGI” [2016] [www.shopping.indiatimes.com](http://shopping.indiatimes.com/electronics/conventional/kaff-4-burner-cooktop-kc-60-ssgi/10301/p_B1672771) Aug. 26, 2016 <http://shopping.indiatimes.com/electronics/conventional/kaff-4-burner-cooktop-kc-60-ssgi/10301/p_B1672771>.

“Cooktop Galassia 70 C701-F5X Gusa” [2016] [www.coifaspiramide.com](http://www.coifaspiramide.com/br/index.php/cooktops/cooktops-elettromec/elettromec-galassia-cooktop-c701-f5x-gusa/) Aug. 26, 2016 <<http://www.coifaspiramide.com/br/index.php/cooktops/cooktops-elettromec/elettromec-galassia-cooktop-c701-f5x-gusa/>>.

* cited by examiner

FIG. 1

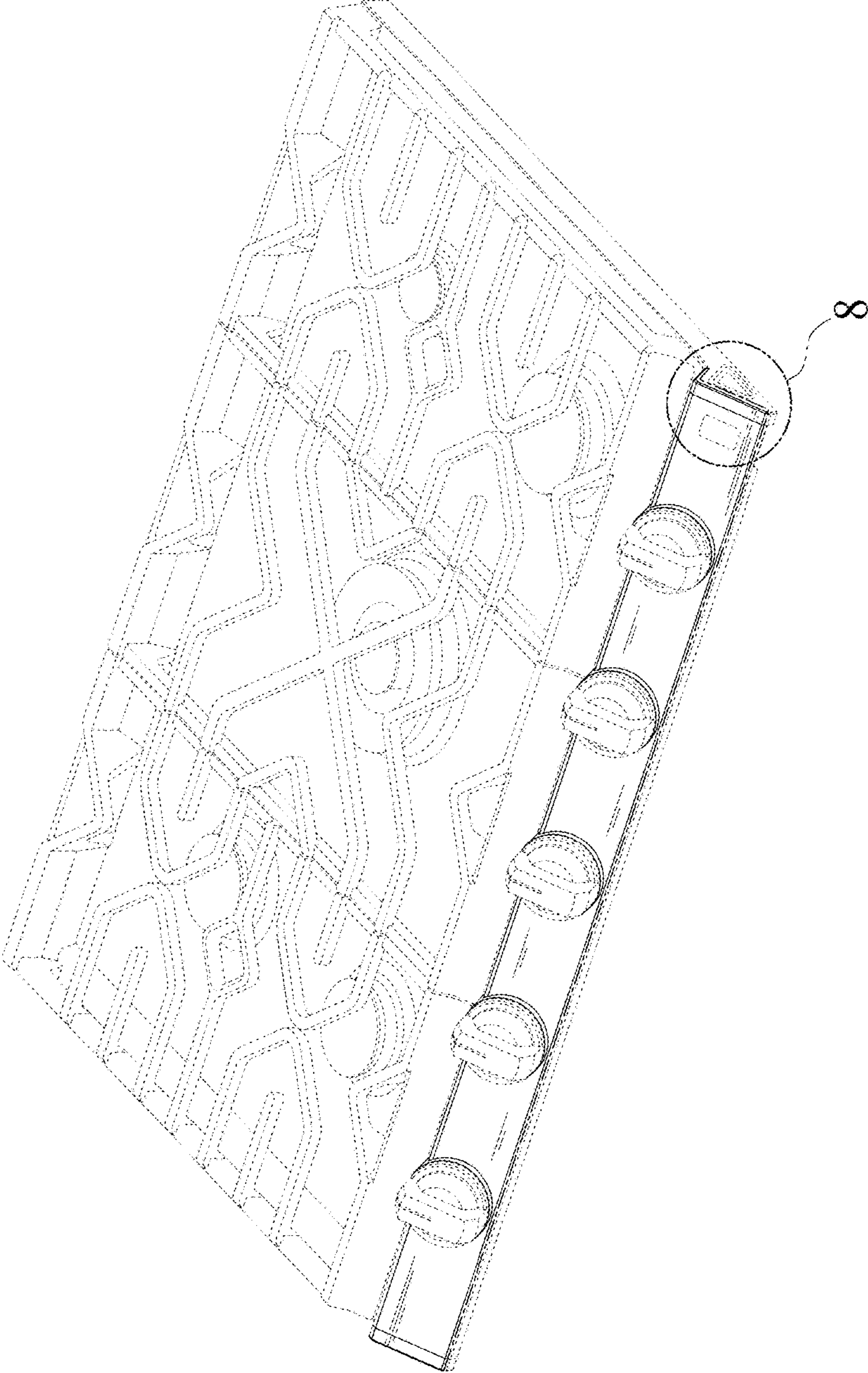


FIG. 2

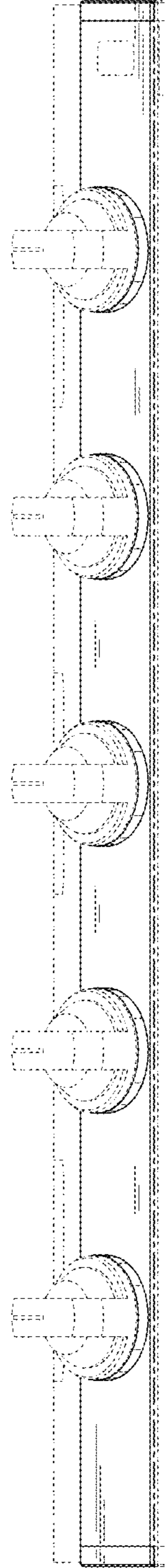


FIG. 3

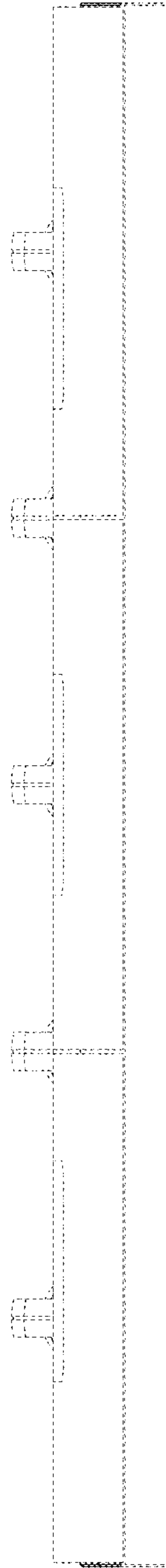


FIG.4

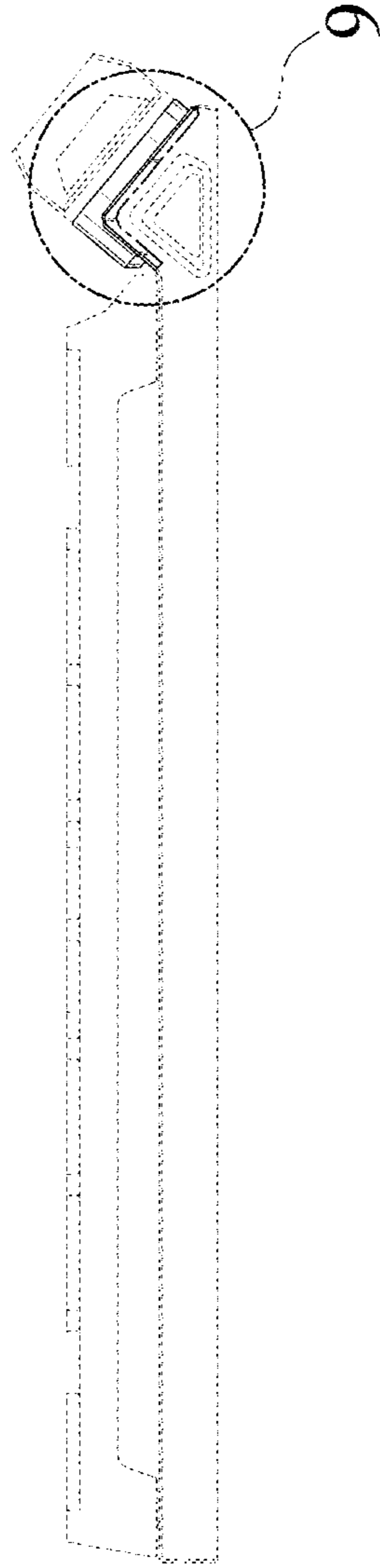


FIG. 5

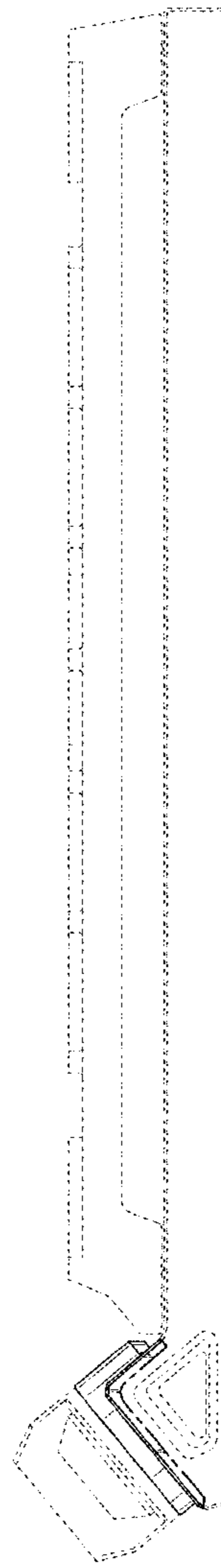


FIG. 6

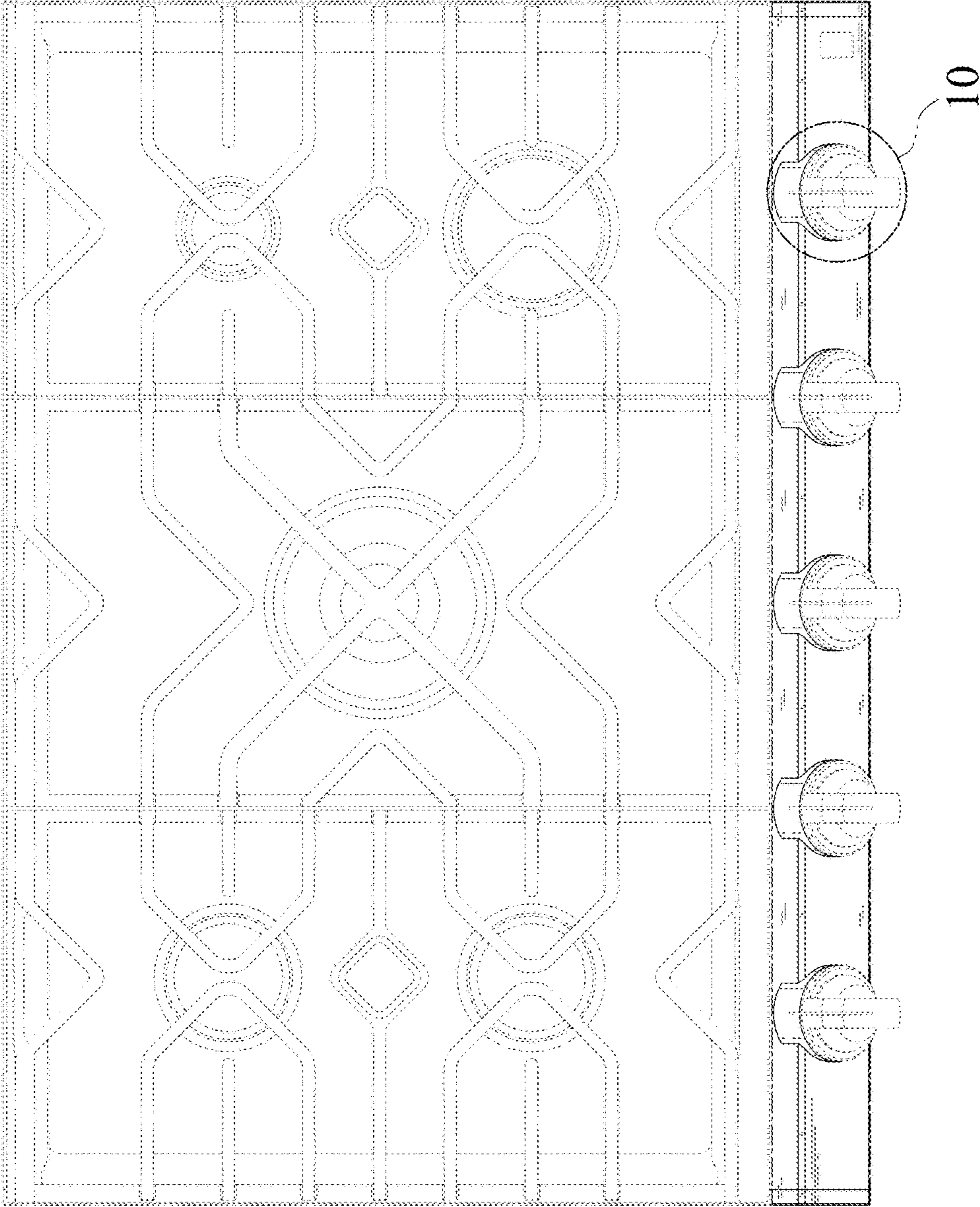


FIG. 7



FIG. 8

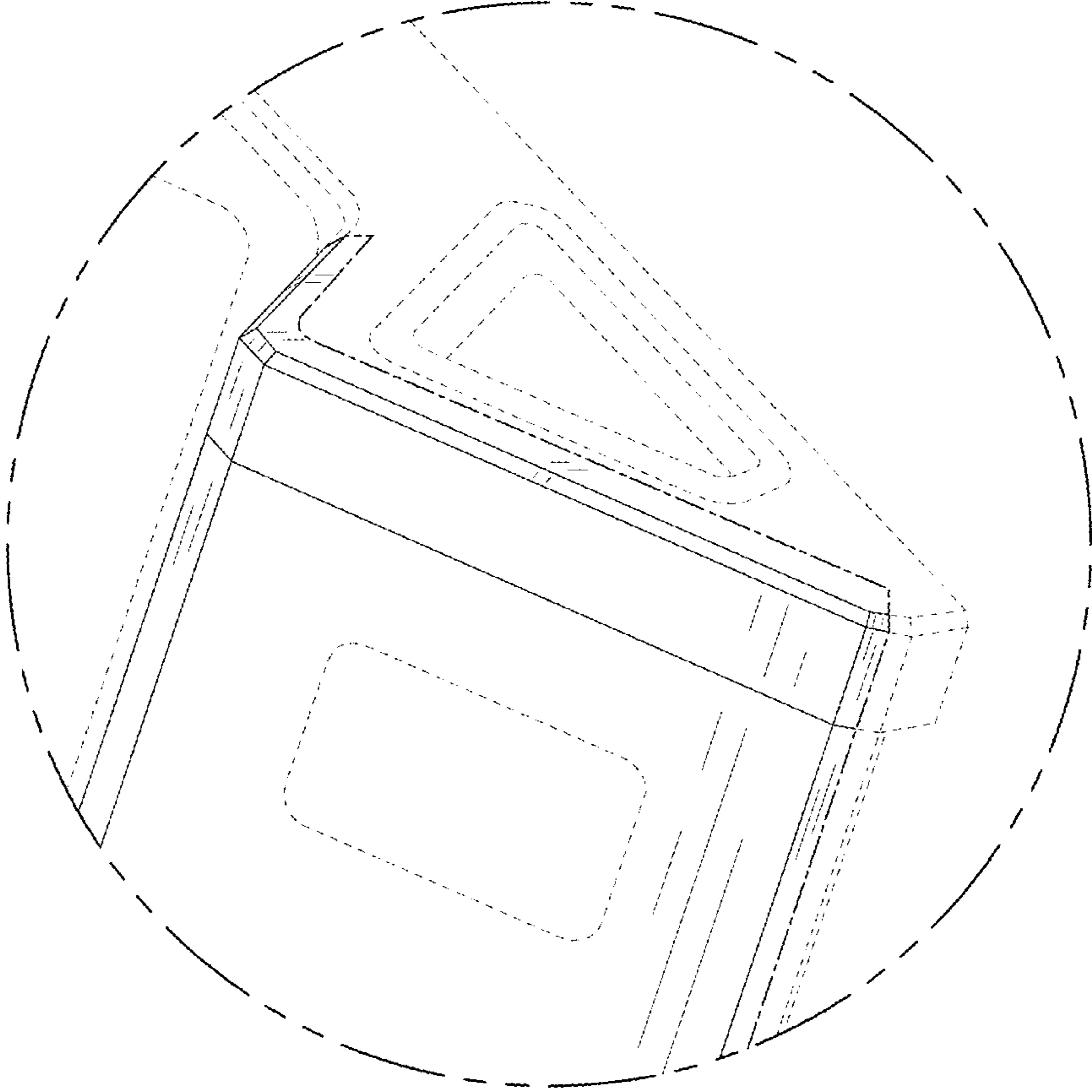


FIG. 9

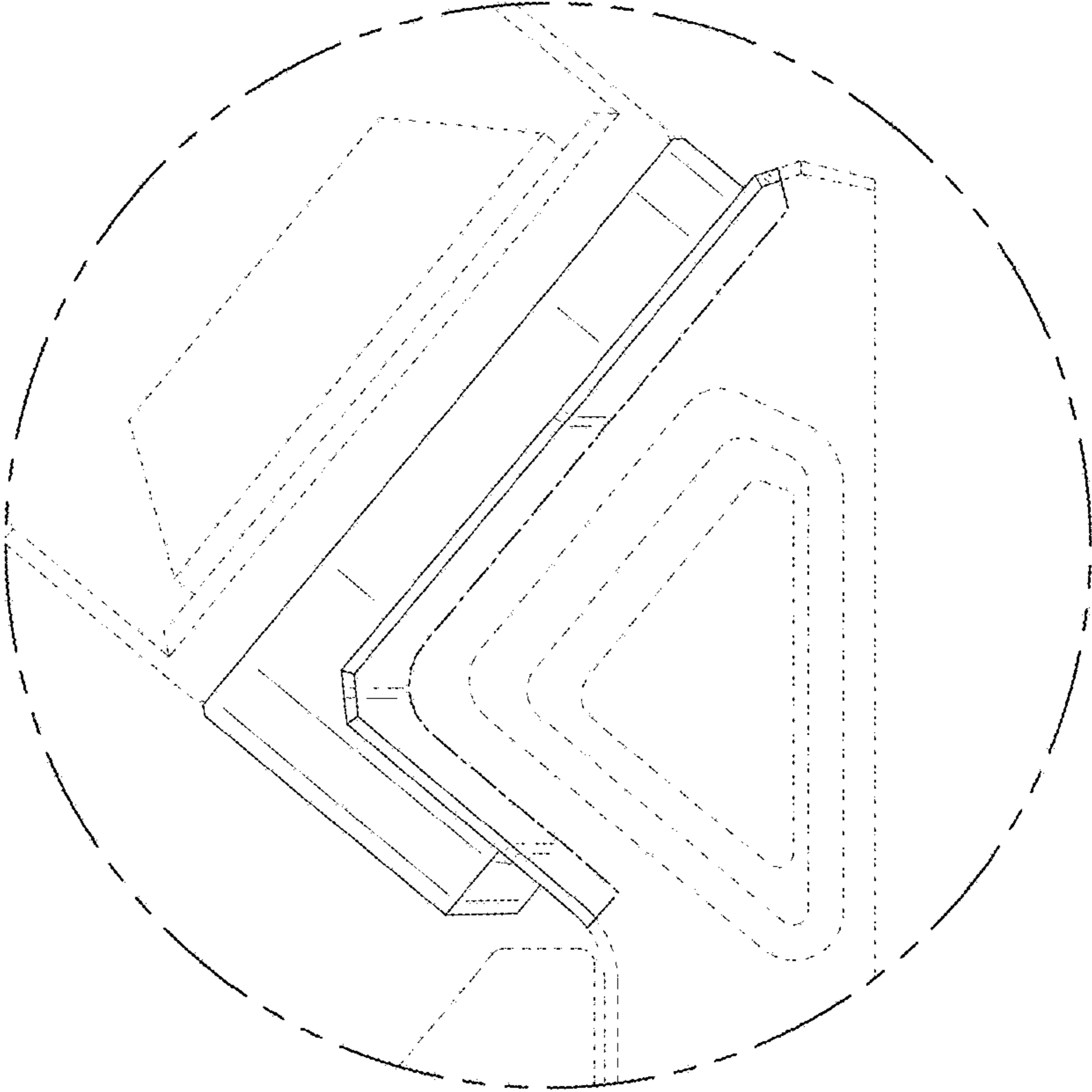


FIG. 10

