



US00D812409S

(12) **United States Design Patent**
Nilssen

(10) **Patent No.:** **US D812,409 S**
(45) **Date of Patent:** **** Mar. 13, 2018**

- (54) **HANDLE FOR AN APPLIANCE**
- (71) Applicant: **Hestan Commercial Corporation,**
Anaheim, CA (US)
- (72) Inventor: **Ray Nilssen,** Fairhope, AL (US)
- (73) Assignee: **Hestan Commercial Corporation,**
Anaheim, CA (US)
- (**) Term: **15 Years**
- (21) Appl. No.: **29/556,294**
- (22) Filed: **Feb. 29, 2016**

D400,424 S *	11/1998	Lewis	D8/316
D410,376 S	6/1999	Scholl		
D488,699 S	4/2004	Jackovin		
D539,994 S *	4/2007	Pezzetta	D32/3
D550,885 S *	9/2007	Crosby	D26/75
D554,403 S	11/2007	Xiao		
D554,972 S	11/2007	Pezzetta		
D564,729 S	3/2008	Fisher		
D568,100 S	5/2008	Jean		
D647,629 S *	10/2011	Seehof	D25/41.1
D661,546 S *	6/2012	Baacke	D7/405
D718,605 S *	12/2014	Yang	D15/89
D736,027 S *	8/2015	Funnell, II	D7/339
D741,104 S *	10/2015	Funnell, II	D7/348
D745,362 S	12/2015	Grasselli		
D758,827 S	6/2016	Grasselli		
D759,886 S *	6/2016	Seehof	D25/41.1

(Continued)

Related U.S. Application Data

- (63) Continuation-in-part of application No. 29/516,443,
filed on Feb. 2, 2015, now Pat. No. Des. 764,218.
- (51) **LOC (11) Cl.** **07-02**
- (52) **U.S. Cl.**
USPC **D7/339; D7/340**
- (58) **Field of Classification Search**
USPC D7/323, 328-330, 339-349, 390,
D7/402-406; D8/300-306, 315-316,
D8/319; D25/41.1; D26/76, 118; D32/3
CPC ... A21B 2/00; A47J 37/00; A47J 37/06; A47J
37/0611; A47J 37/08; A47J 37/0807;
A47J 37/0814; A47J 37/0835; A47J
37/0842; A47J 37/085; A47J 37/0864;
A47J 37/0878; A47J 37/0885; A47J
37/0892; F24C 7/00; F24C 7/002; F24C
7/046; F24C 7/067; F24C 15/02; F24C
15/024; F24C 15/04; F24C 15/10; F24C
15/102
See application file for complete search history.

Primary Examiner — Ricky Pham

(74) *Attorney, Agent, or Firm* — Akerman LLP

(57) **CLAIM**

The ornamental design for a handle for an appliance, as shown and described.

DESCRIPTION

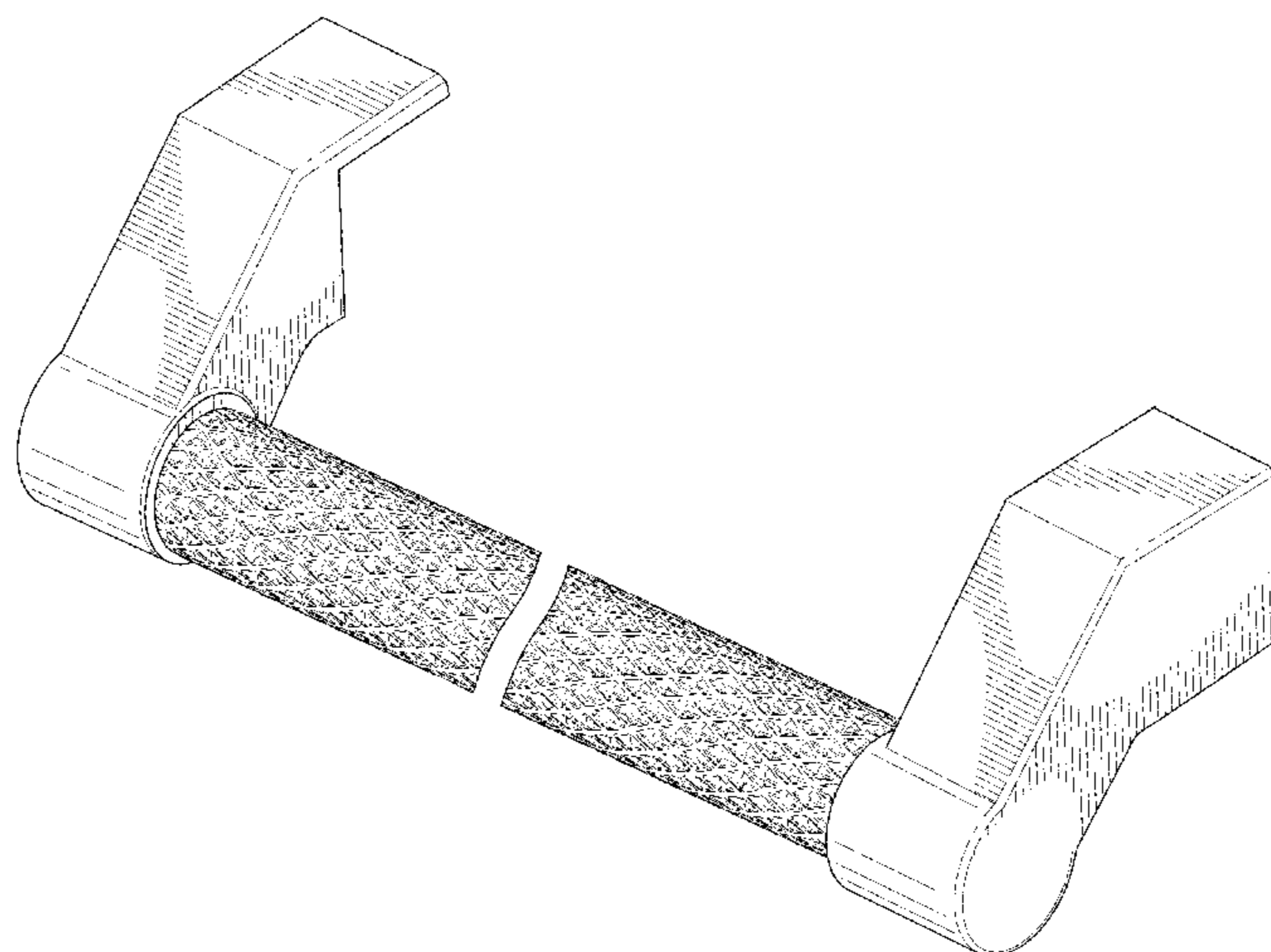
FIG. 1 is a front perspective view of the handle for an appliance showing my new design;
 FIG. 2 is a front side elevation view thereof;
 FIG. 3 is back side elevation view thereof;
 FIG. 4 is a top plan view thereof;
 FIG. 5 is a bottom plan view thereof;
 FIG. 6 is a right side elevation view thereof; and,
 FIG. 7 is a left side elevation view thereof.
 The dot-dash style broken lines in FIGS. 3 and 5 illustrate the boundary of the design, the region within this line being unclaimed.
 The design is illustrated so that it is understood that the claim is not limited to a specific width.

1 Claim, 6 Drawing Sheets

(56) **References Cited**

U.S. PATENT DOCUMENTS

D370,166 S *	5/1996	Decursu	D8/319
D374,167 S	10/1996	Scholl		



(56)

References Cited

U.S. PATENT DOCUMENTS

D759,888 S * 6/2016 Seehof D25/41.1
2003/0056334 A1 * 3/2003 Finkelstein F24C 15/024
16/436

* cited by examiner

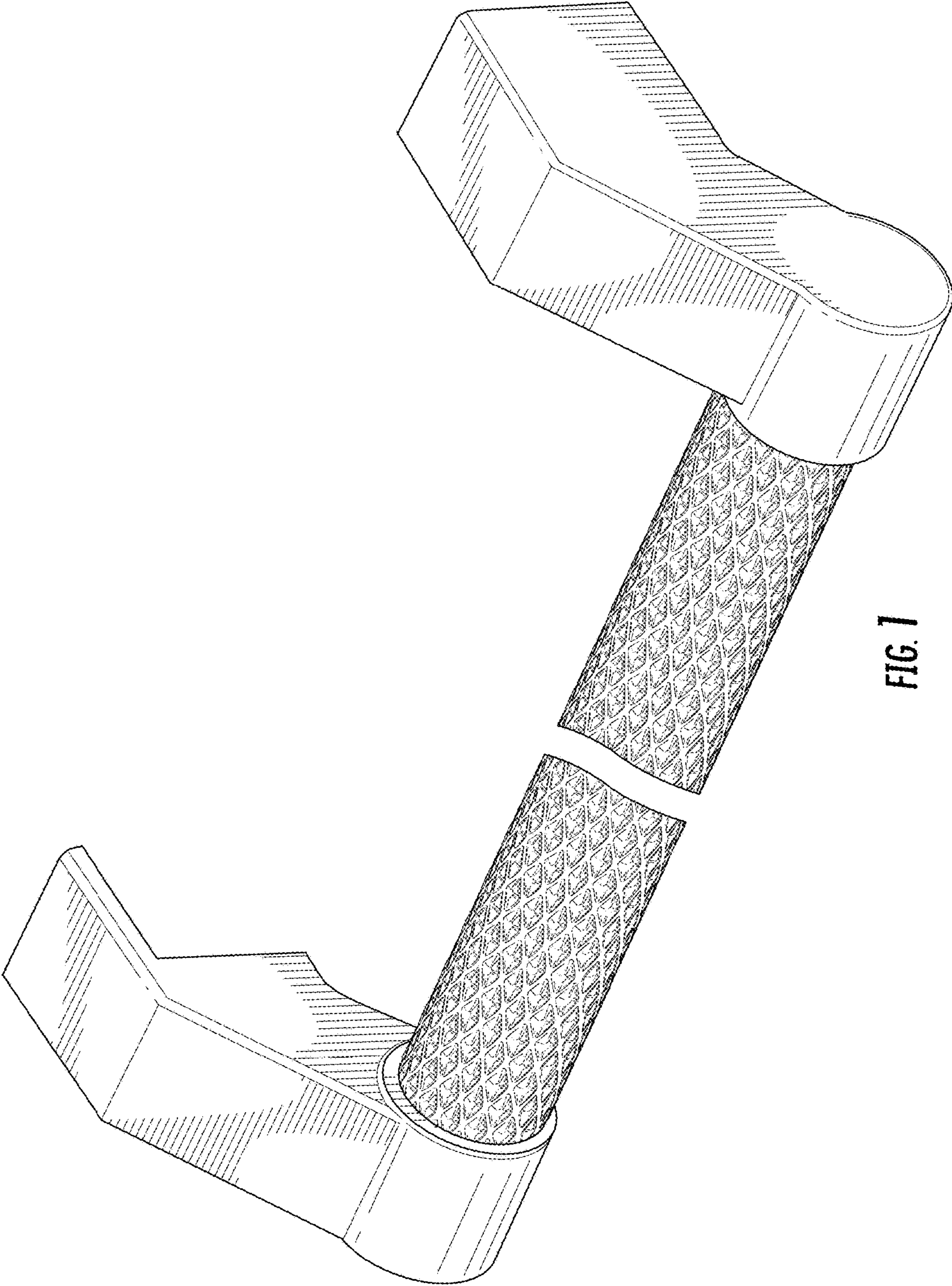


FIG. 1

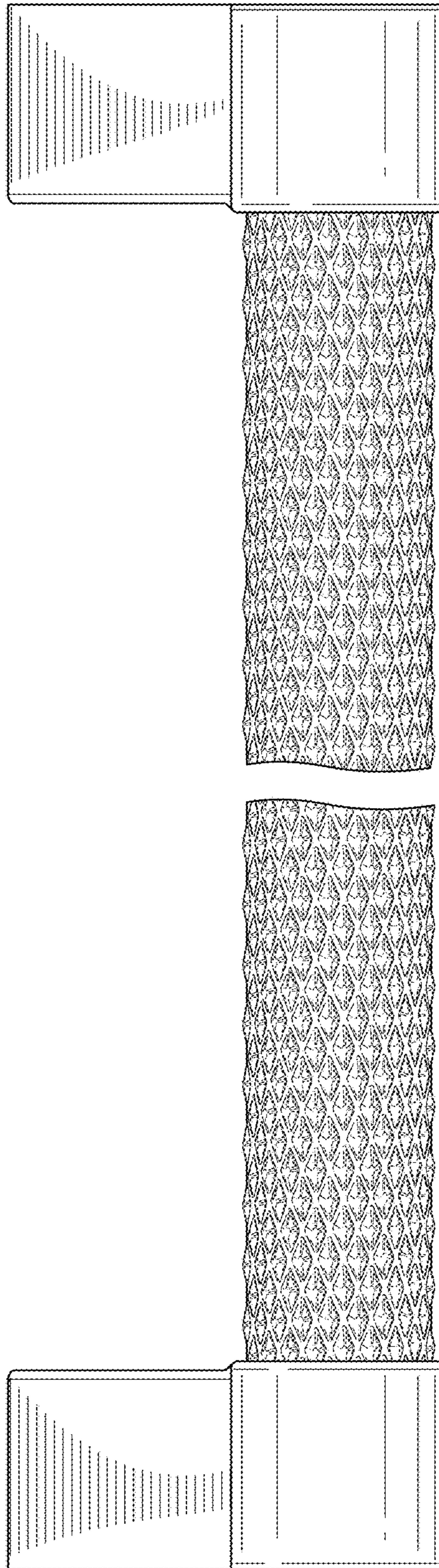


FIG. 2

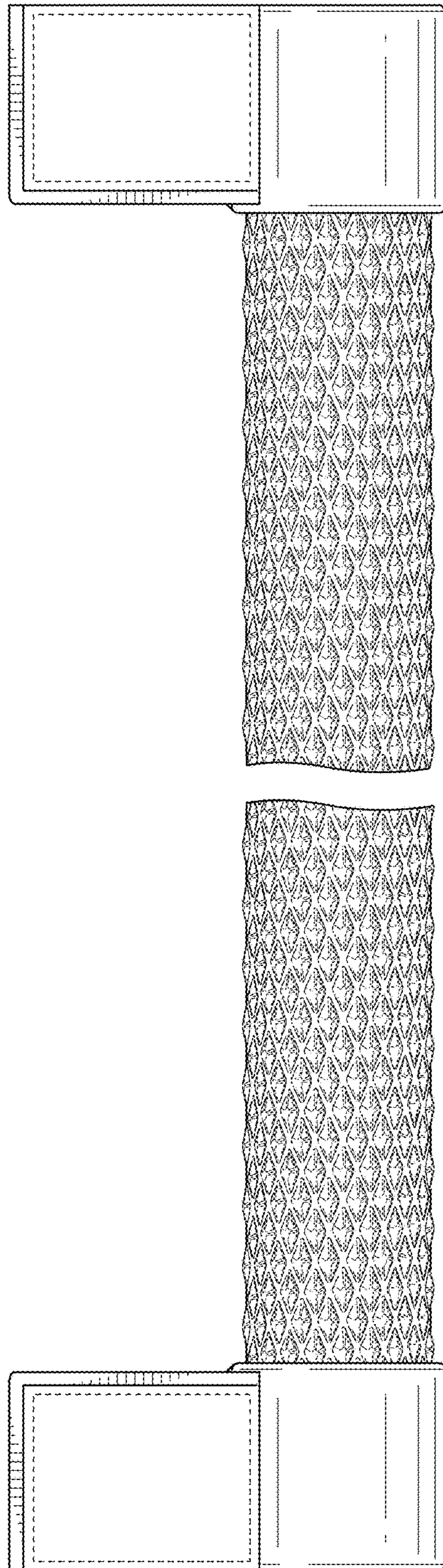


FIG. 3

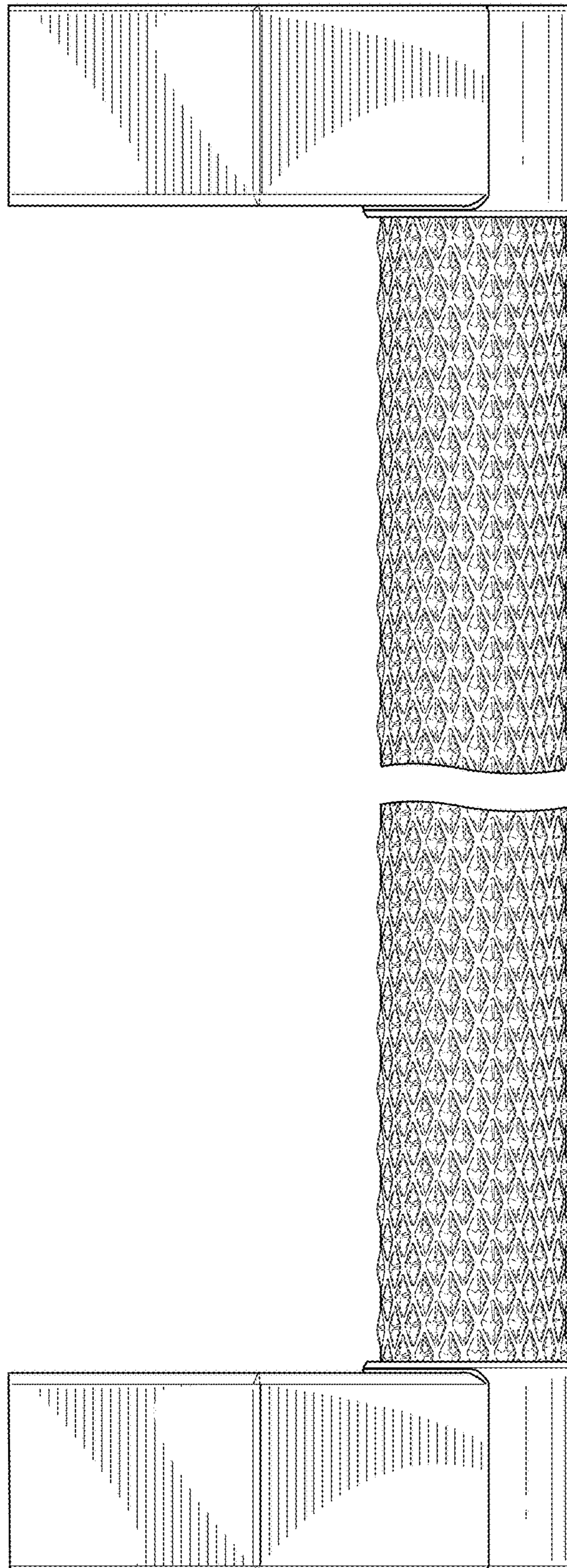


FIG. 4

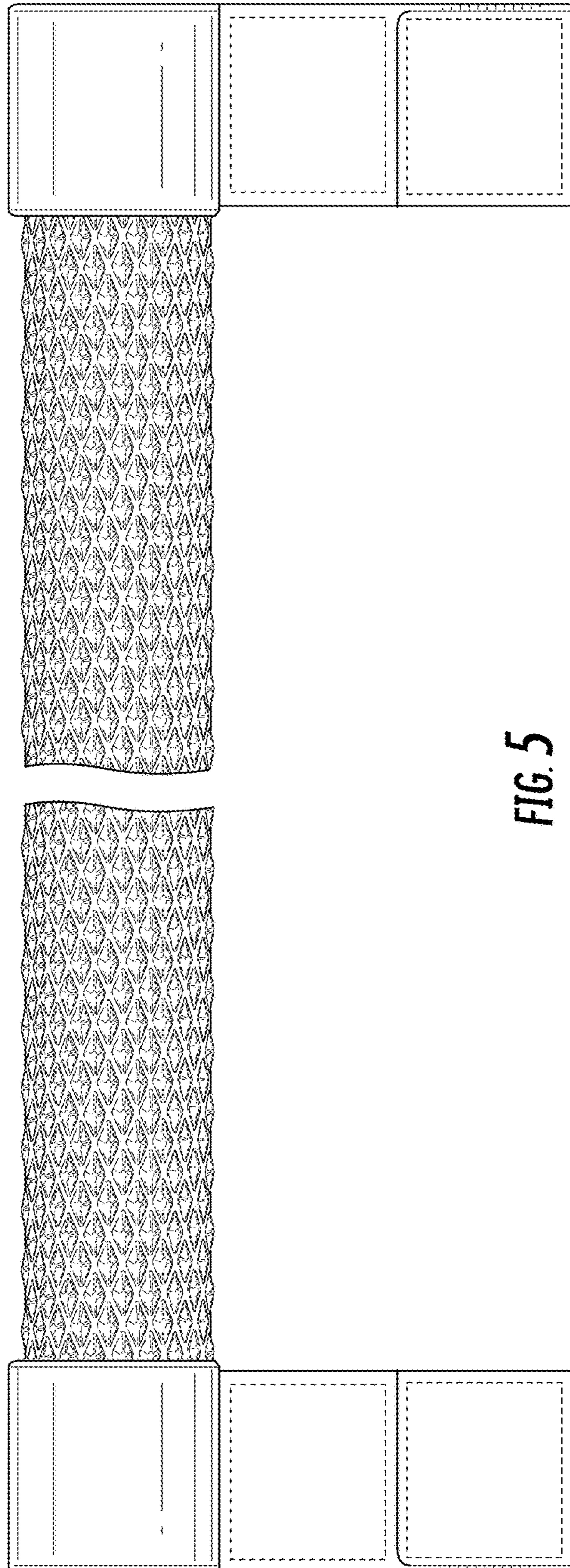


FIG. 5

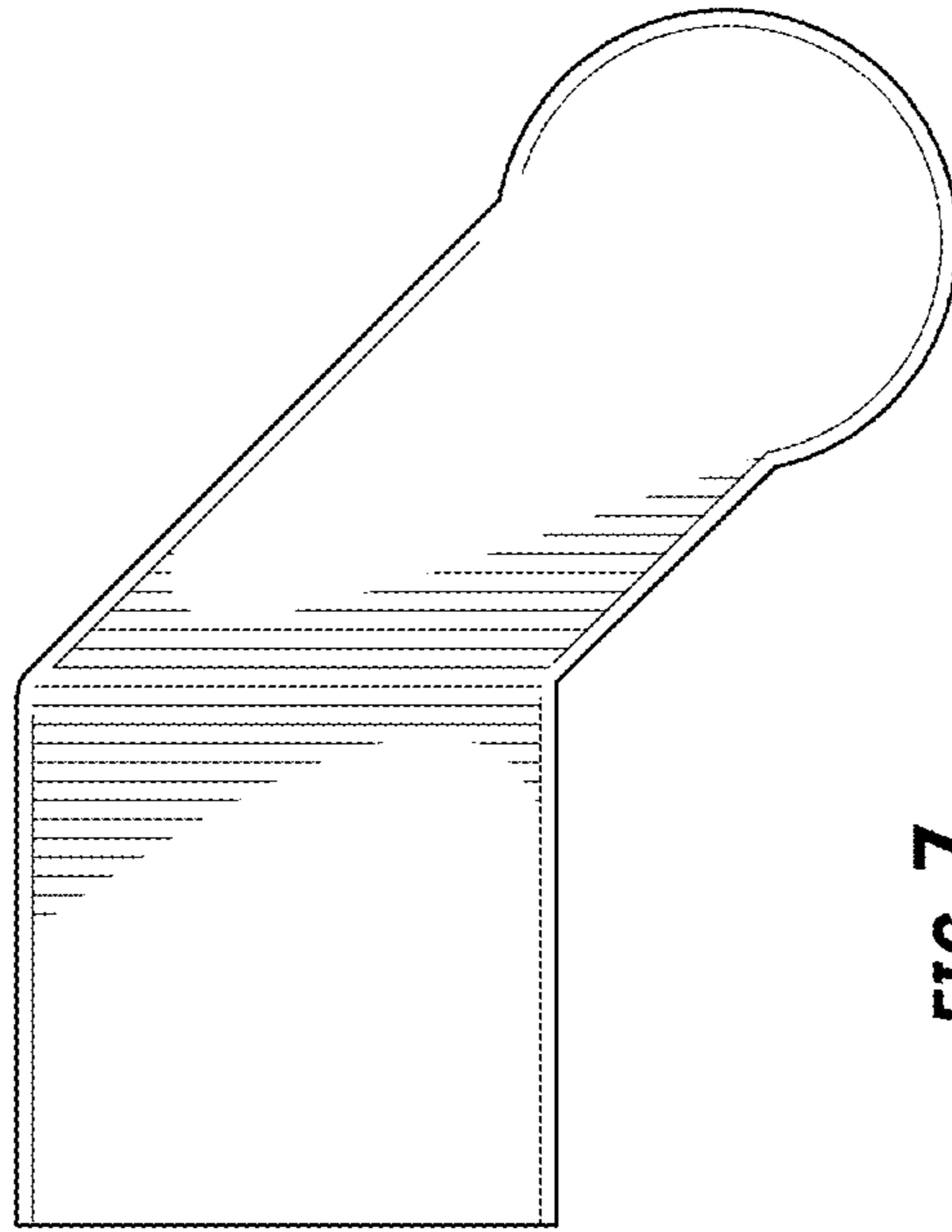


FIG. 7

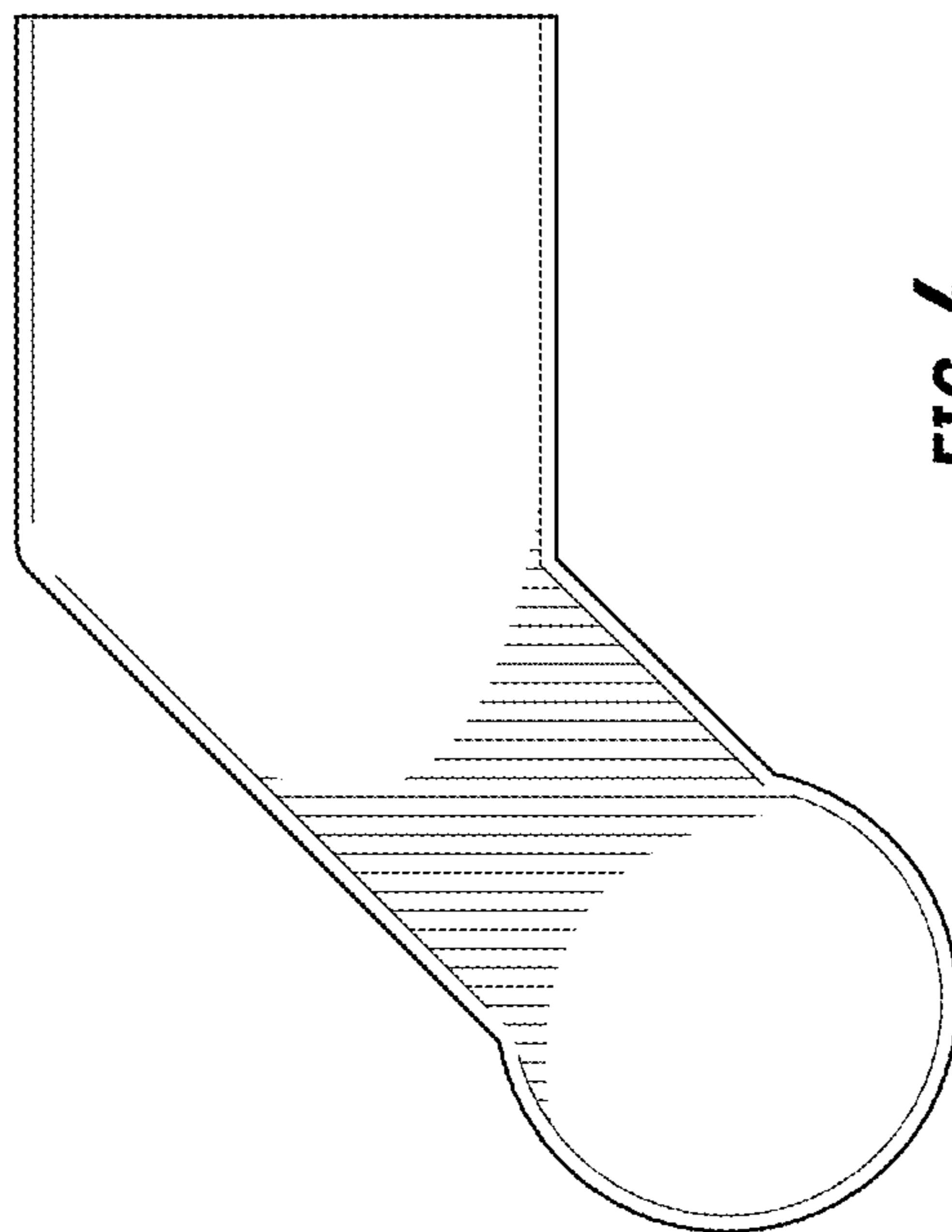


FIG. 6