



US00D812408S

(12) **United States Design Patent**
Li et al.

(10) **Patent No.:** **US D812,408 S**
(45) **Date of Patent:** **** Mar. 13, 2018**

(54) **TOASTER**
(71) Applicant: **Top Electric Appliances Industrial Limited**, Guangzhou (CN)
(72) Inventors: **Weizhong Li**, Guangzhou (CN); **Yewu Zhong**, Guangzhou (CN); **Surf Wong**, Guangzhou (CN)
(73) Assignee: **Top Electric Appliances Industrial Limited (CN)**

D593,358 S * 6/2009 Kim D7/330
D622,092 S * 8/2010 Picozza D7/330
D686,865 S * 7/2013 De'Longhi D7/330
D686,866 S * 7/2013 De'Longhi D7/330
D688,509 S * 8/2013 Carlson D7/330
D701,720 S * 4/2014 Palermo D7/330
9,131,804 B2 * 9/2015 Turner A47J 37/08
D746,093 S * 12/2015 Bazzicalupo D7/330
D765,456 S * 9/2016 Lee D7/330

* cited by examiner

Primary Examiner — Ricky Pham

(**) Term: **15 Years**

(21) Appl. No.: **29/597,191**

(22) Filed: **Mar. 15, 2017**

(30) **Foreign Application Priority Data**

Sep. 19, 2016 (CN) 2016 3 0474323

(51) **LOC (11) Cl.** **07-02**

(52) **U.S. Cl.**
USPC **D7/330**

(58) **Field of Classification Search**
USPC D7/323, 328-330, 390
CPC ... A21B 2/00; A47J 37/00; A47J 37/06; A47J 37/0611; A47J 37/08; A47J 37/0807; A47J 37/0814; A47J 37/0835; A47J 37/0842; A47J 37/085; A47J 37/0864; A47J 37/0878; A47J 37/0885; A47J 37/0892; F24C 15/10; F24C 15/102
See application file for complete search history.

(56) **References Cited**

U.S. PATENT DOCUMENTS

D428,759 S * 8/2000 Hughes D7/330
D502,629 S * 3/2005 Guyett D7/330
D527,568 S * 9/2006 Page D7/330
D593,357 S * 6/2009 Picozza D7/330

(57) **CLAIM**

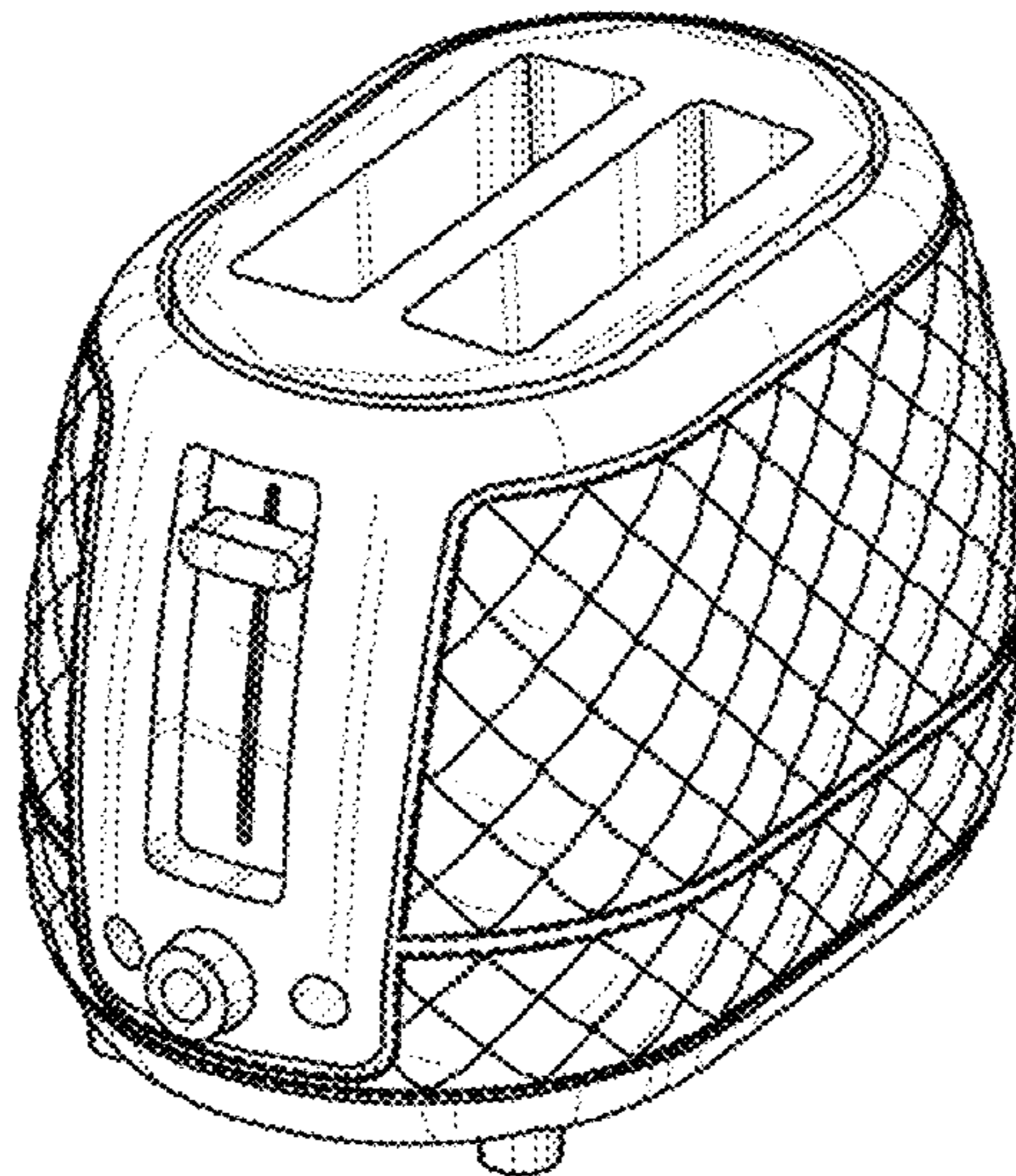
The ornamental design for a toaster, as shown and described.

DESCRIPTION

FIG. 1 is a perspective view of the top, front and right sides of a toaster shown in a typical use configuration;
FIG. 2 is a front view of the toaster;
FIG. 3 is a rear view of the toaster;
FIG. 4 is a left side view of the toaster;
FIG. 5 is right side view of the toaster;
FIG. 6 is a top view of the toaster; and,
FIG. 7 is a bottom view of the toaster.

The broken-lines in the above-described figures are for illustrative purposes only, and form no part of the claimed design.

1 Claim, 7 Drawing Sheets



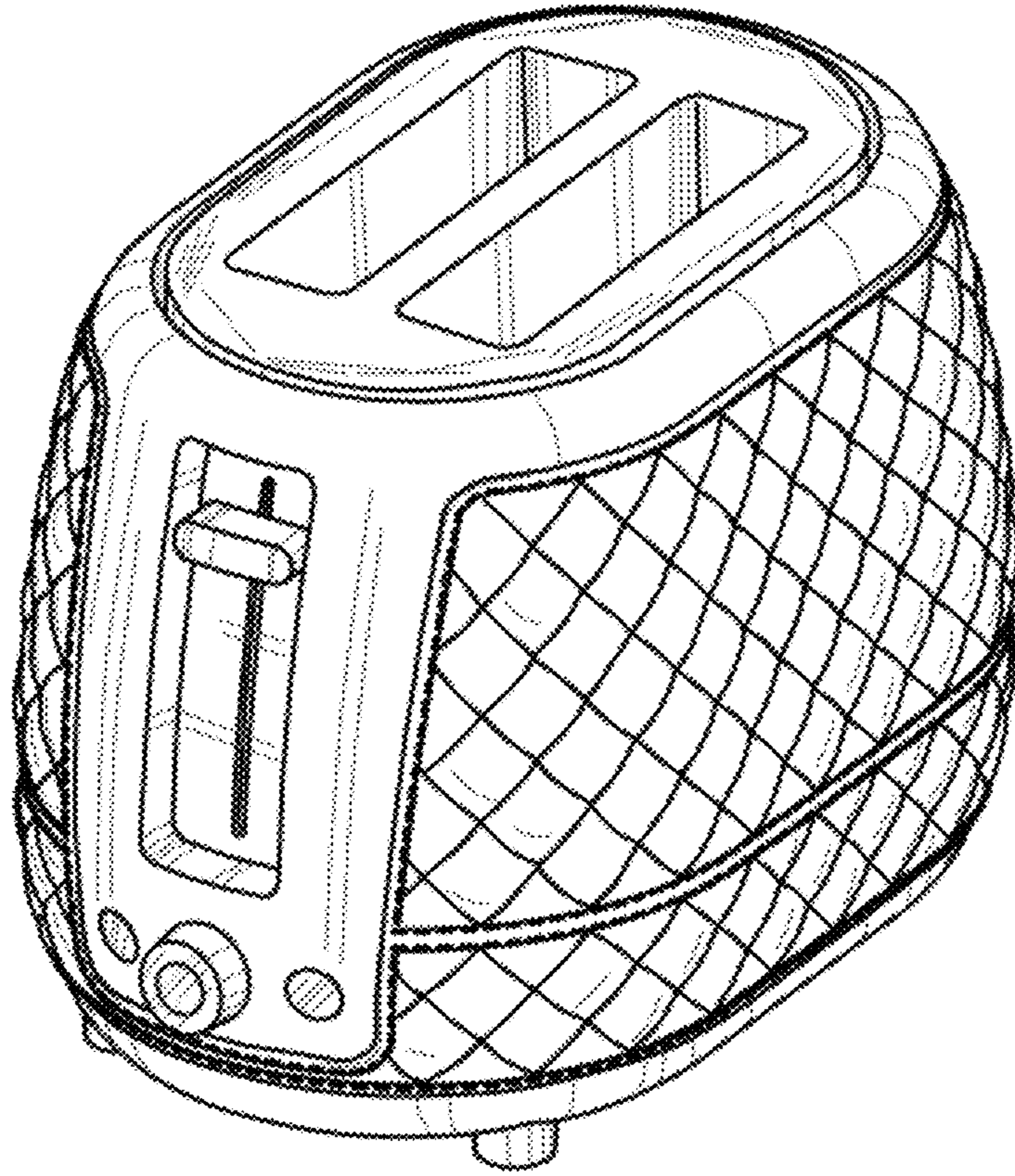


FIG. 1

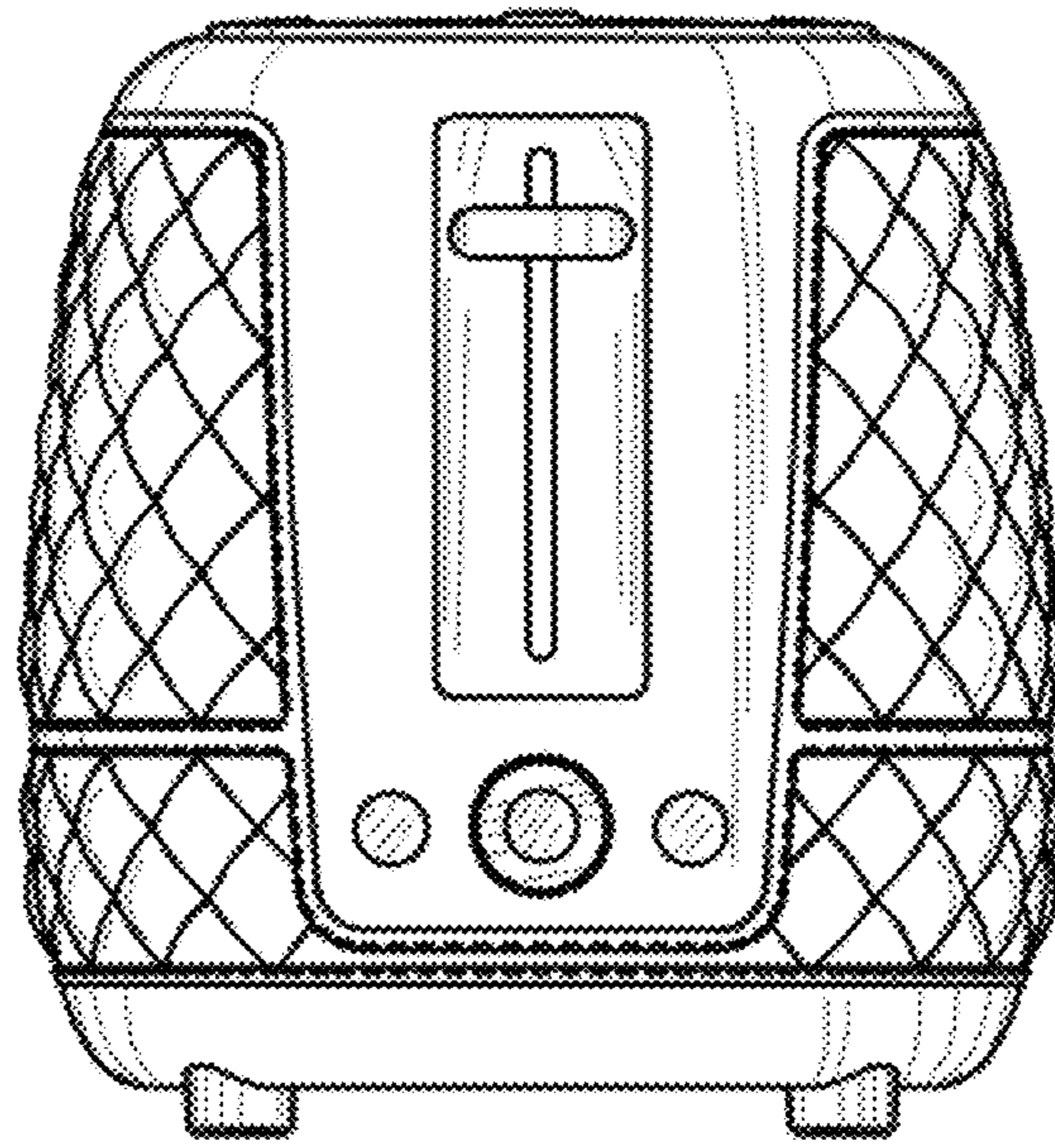


FIG.2

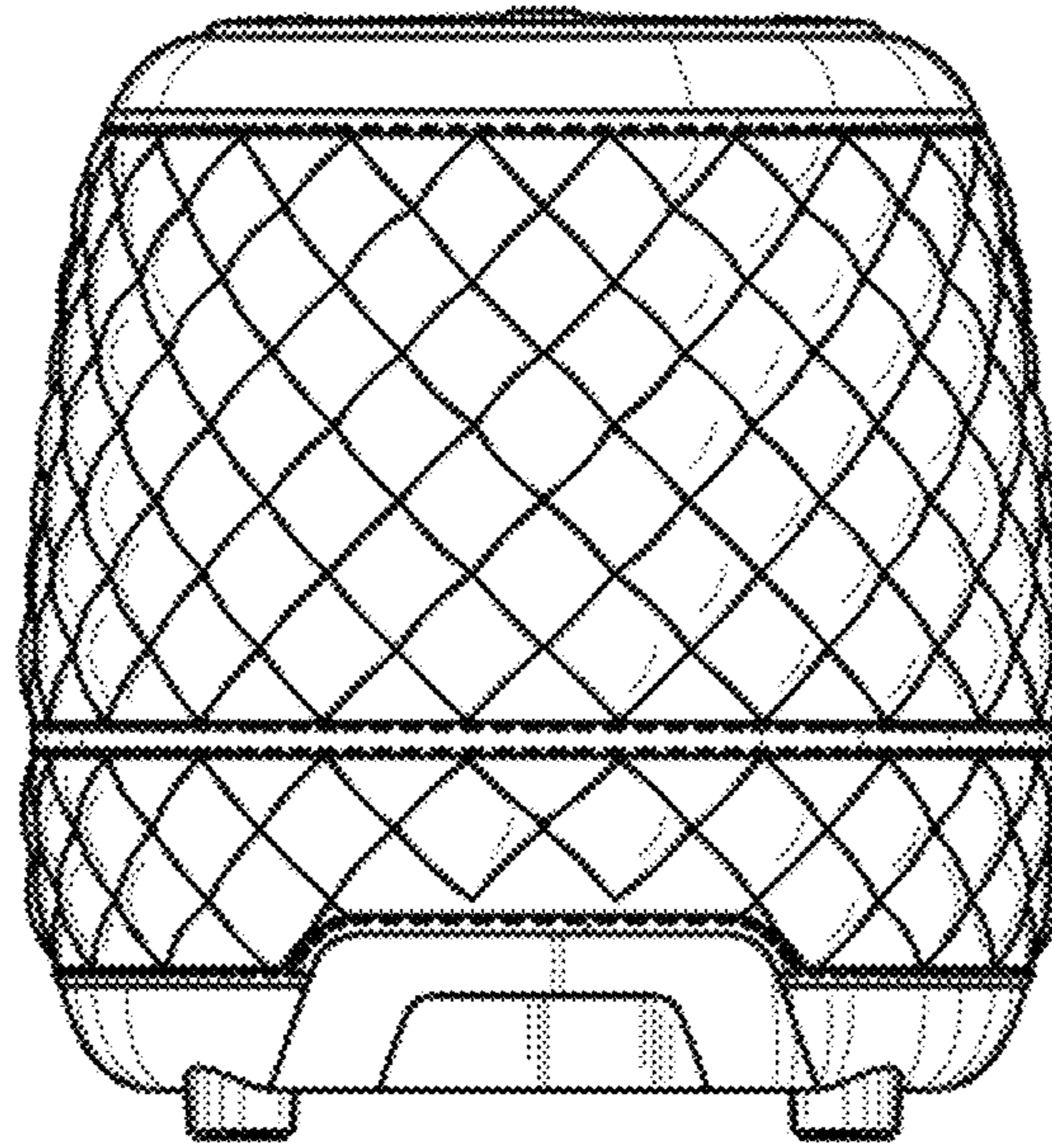


FIG.3

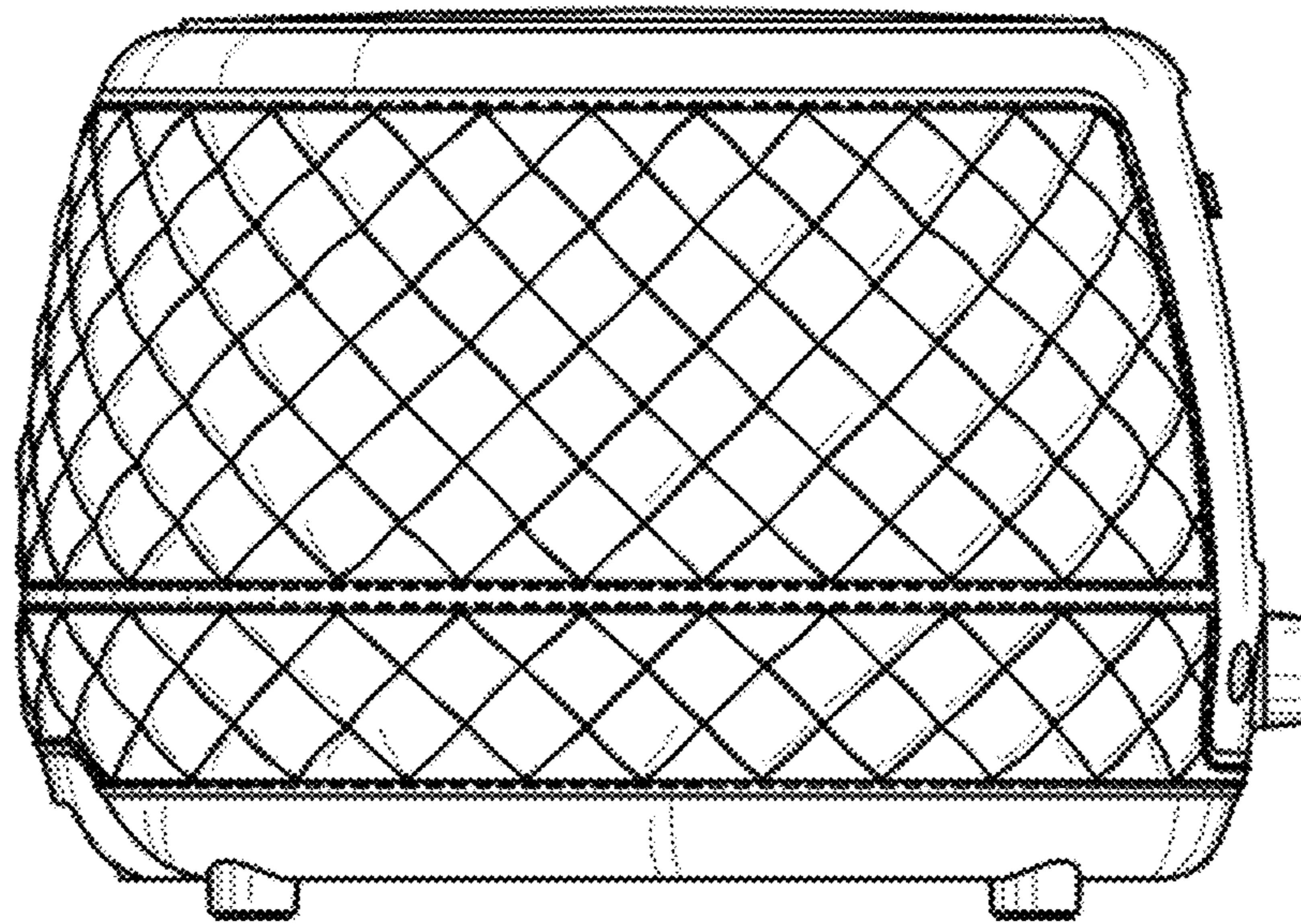


FIG.4

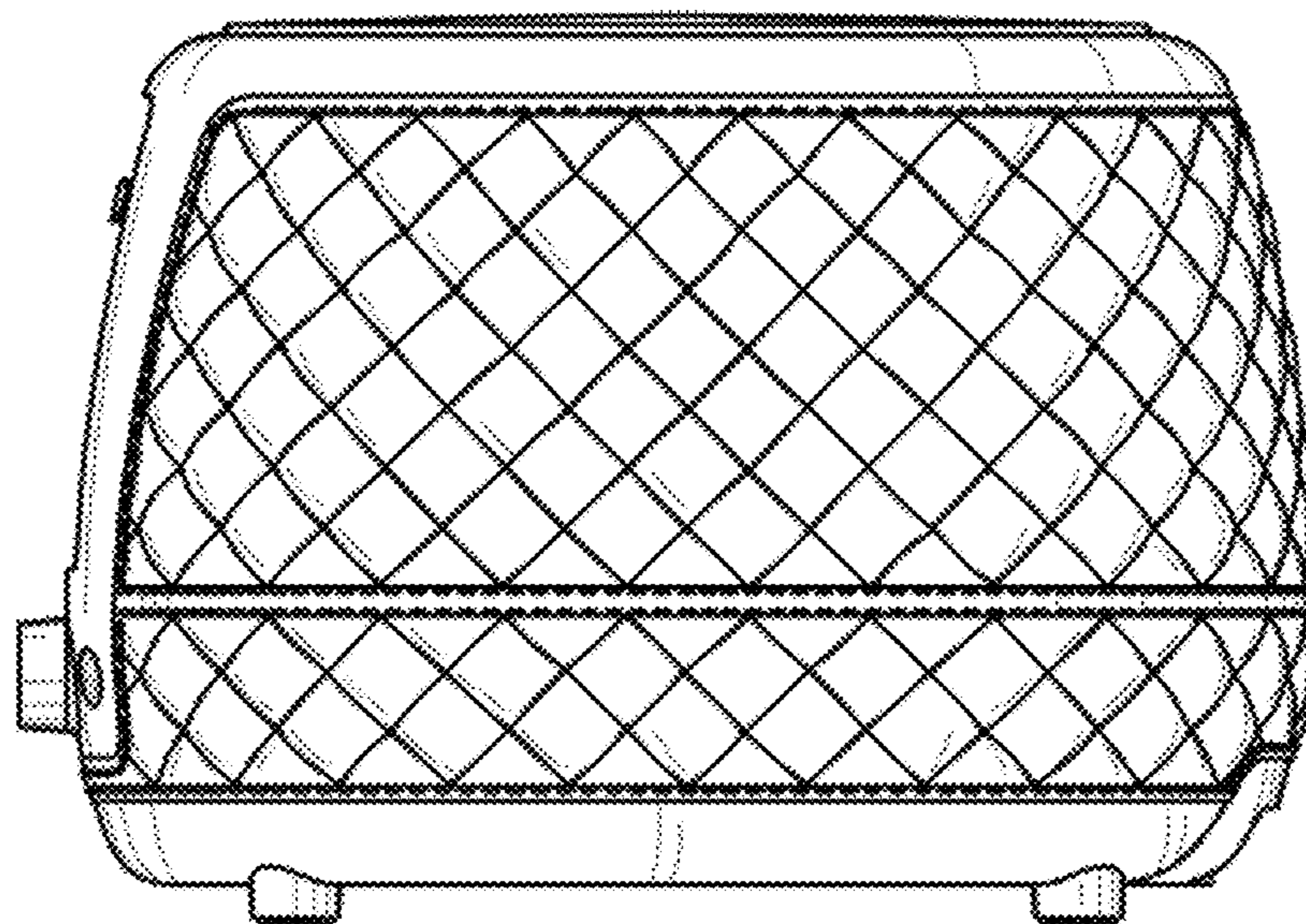


FIG.5

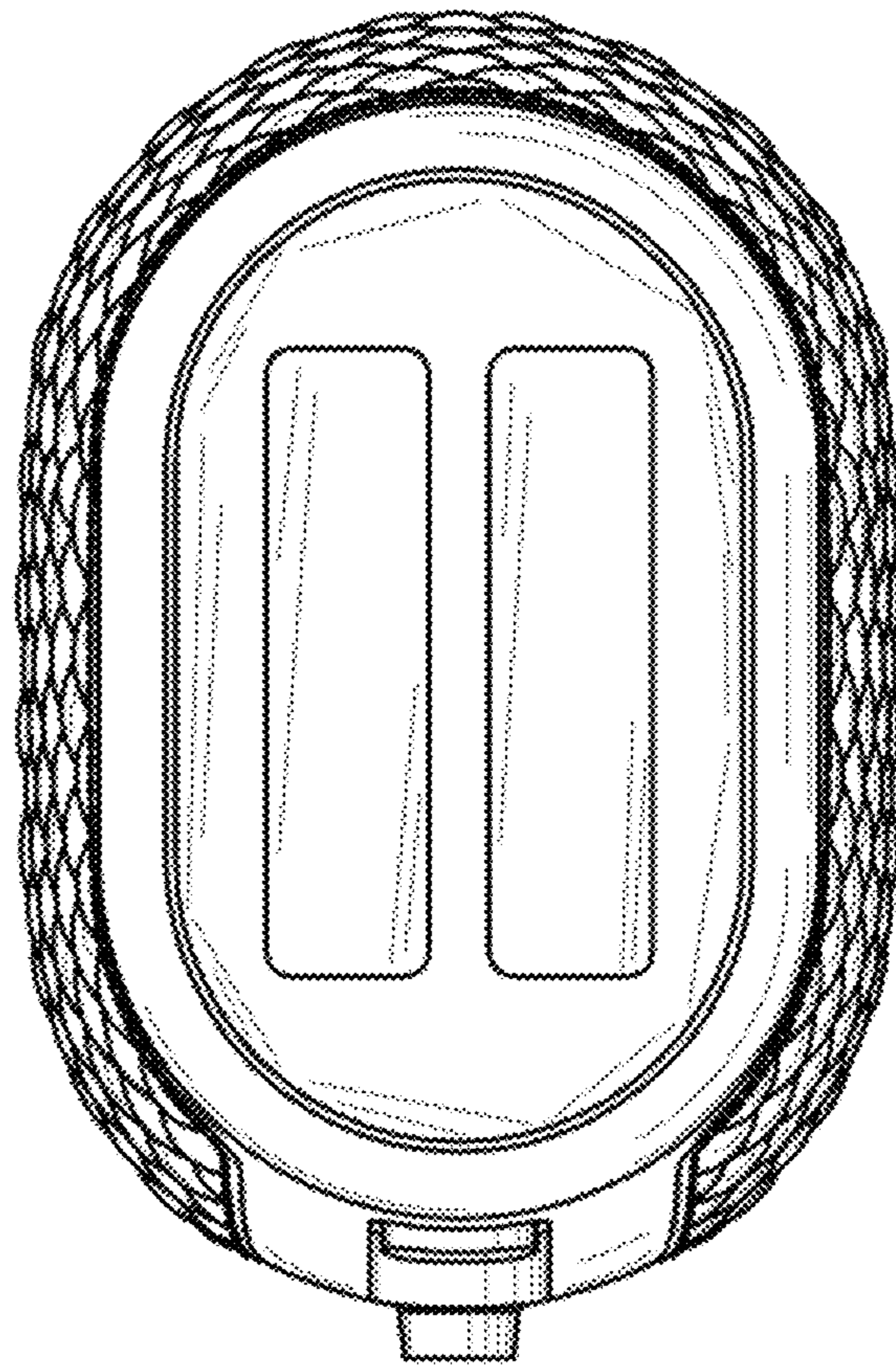


FIG.6

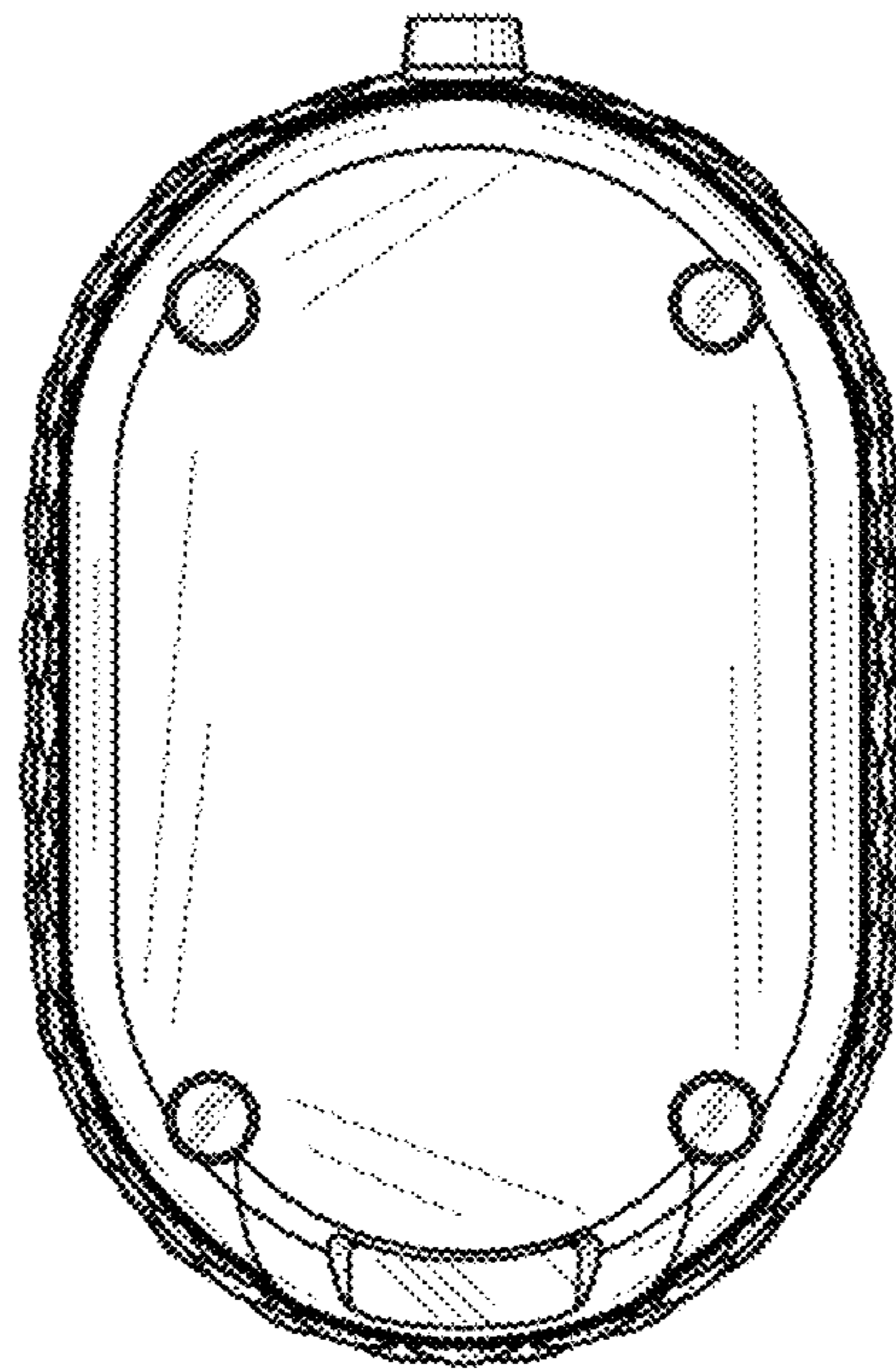


FIG. 7