



US00D812406S

(12) **United States Design Patent**
Schantz et al.

(10) **Patent No.:** **US D812,406 S**
(45) **Date of Patent:** **** Mar. 13, 2018**

- (54) **POPCORN POPPER**
- (71) Applicant: **Greenfield World Trade, Inc.**, Fort Lauderdale, FL (US)
- (72) Inventors: **Brad Schantz**, Fort Lauderdale, FL (US); **Eunice Shim**, Fort Lauderdale, FL (US); **Rong Liu**, Fort Lauderdale, FL (US)
- (73) Assignee: **GREENFIELD WORLD TRADE, INC.**, Fort Lauderdale, FL (US)
- (**) Term: **15 Years**
- (21) Appl. No.: **29/597,612**
- (22) Filed: **Mar. 17, 2017**
- (51) **LOC (11) Cl.** **31-00**
- (52) **U.S. Cl.**
USPC **D7/325**
- (58) **Field of Classification Search**
USPC D6/631; D7/323, 325, 337, 339, D7/346-347, 350.1, 350.4, 354, 357, 362, D7/391, 602, 629
CPC . A23L 1/01; A23L 1/0128; A23L 1/10; A23L 1/18; A23L 1/1802; A23L 1/1812; A23L 1/1815; A23L 1/1817; A23L 1/217; A23L 7/187; A23P 1/14; A23P 1/142; A23P 1/144; A23P 1/146; A23P 1/148; A47F 3/0404; A47J 27/004; A47J 36/027; A47J 36/06; B65D 81/34; B65D 81/3407; B65D 81/3446; B65D 81/3453
See application file for complete search history.

D281,137 S	10/1985	Cesaroni	
D442,816 S *	5/2001	Chen	D6/631
D521,796 S *	5/2006	Bertulis	D7/325
D569,677 S *	5/2008	Poon	D7/357
D615,797 S	5/2010	Berge et al.	
8,127,565 B1 *	3/2012	Lange	A47F 3/0404 62/246
D722,465 S *	2/2015	Berge	D7/325
D723,320 S *	3/2015	Rooney	D7/325
9,198,532 B2 *	12/2015	Barrows	A47J 27/004
9,655,378 B2 *	5/2017	Rooney	A23L 7/187

* cited by examiner

Primary Examiner — Ricky Pham

(74) *Attorney, Agent, or Firm* — Michael E. Dockins; Shumaker, Loop & Kendrick, LLP

(57) **CLAIM**

The ornamental design for a popcorn popper, as shown and described.

DESCRIPTION

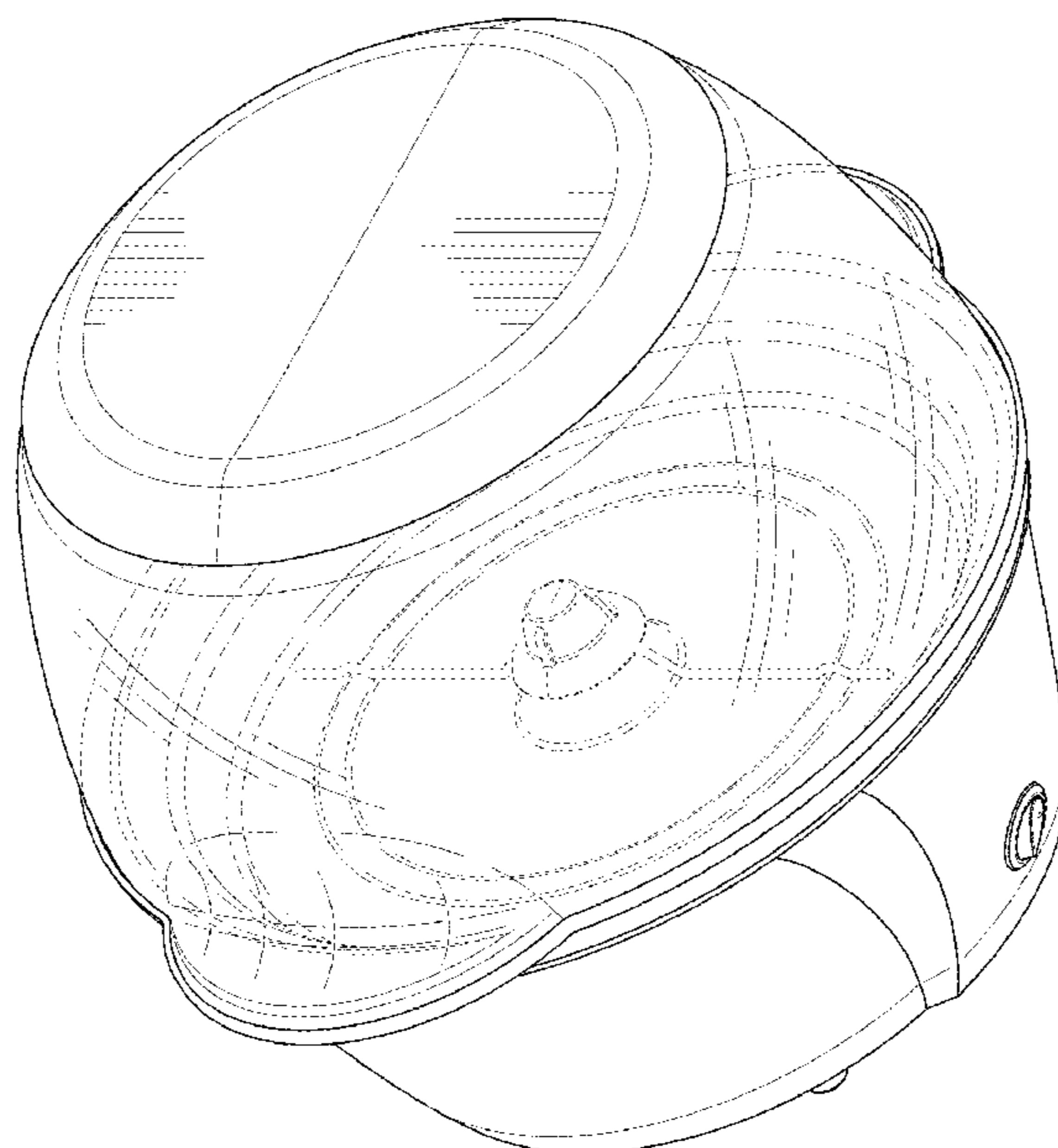
FIG. 1 is a perspective view of a popcorn popper; FIG. 2 is a front elevational view thereof; FIG. 3 is a rear elevational view thereof; FIG. 4 is a top plan view thereof; FIG. 5 is a bottom plan view thereof; FIG. 6 is a right-side elevational view thereof; and, FIG. 7 is a left-side elevational view thereof.

The ornamental design which is claimed is shown in solid lines in the drawings. Features shown in broken lines are presented for illustrative purposes and form no part of the claimed design.

1 Claim, 4 Drawing Sheets

(56) **References Cited**
U.S. PATENT DOCUMENTS

D280,062 S *	8/1985	Cesaroni	D7/325
D280,174 S	8/1985	Cesaroni	



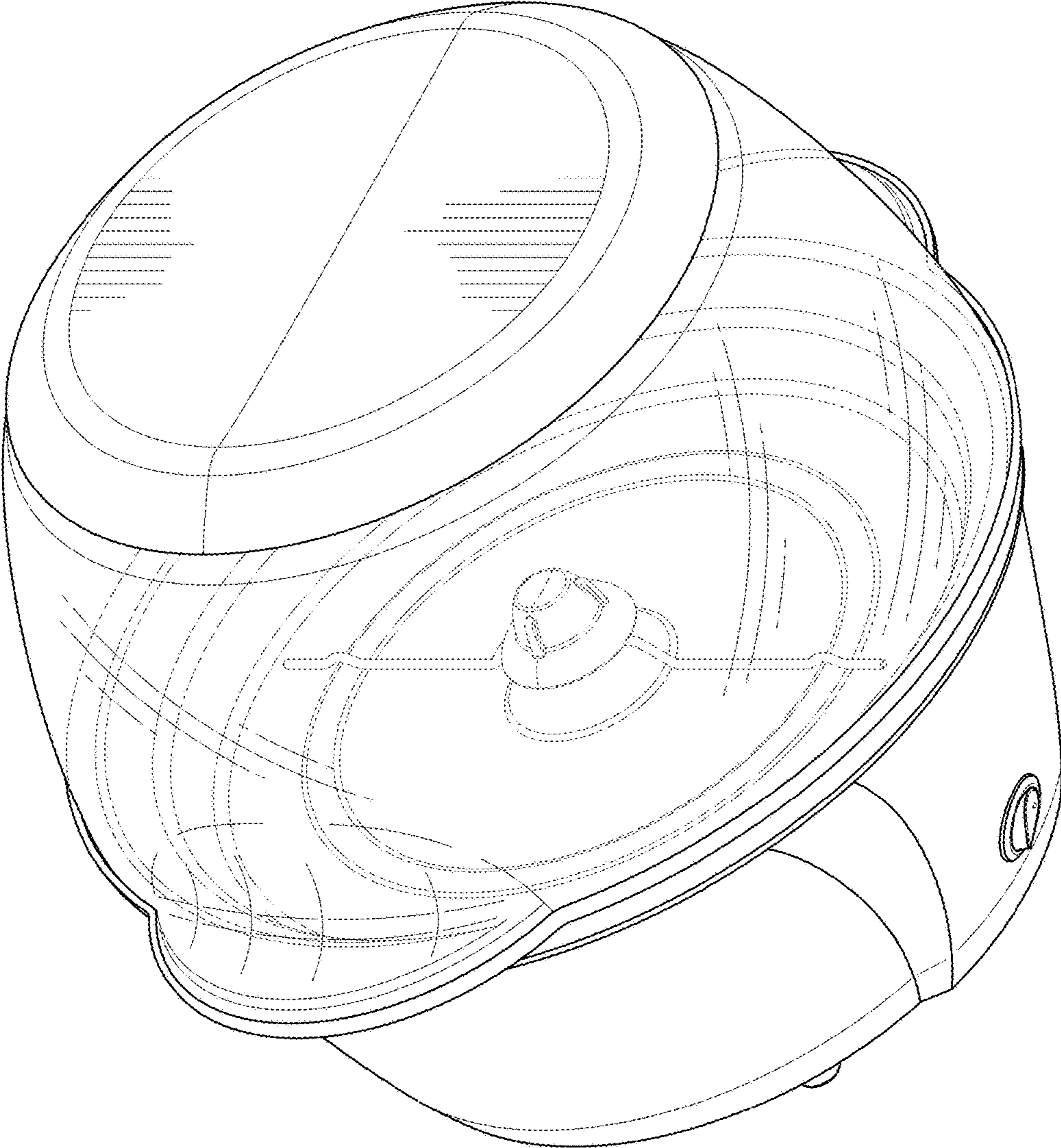


FIG. 1

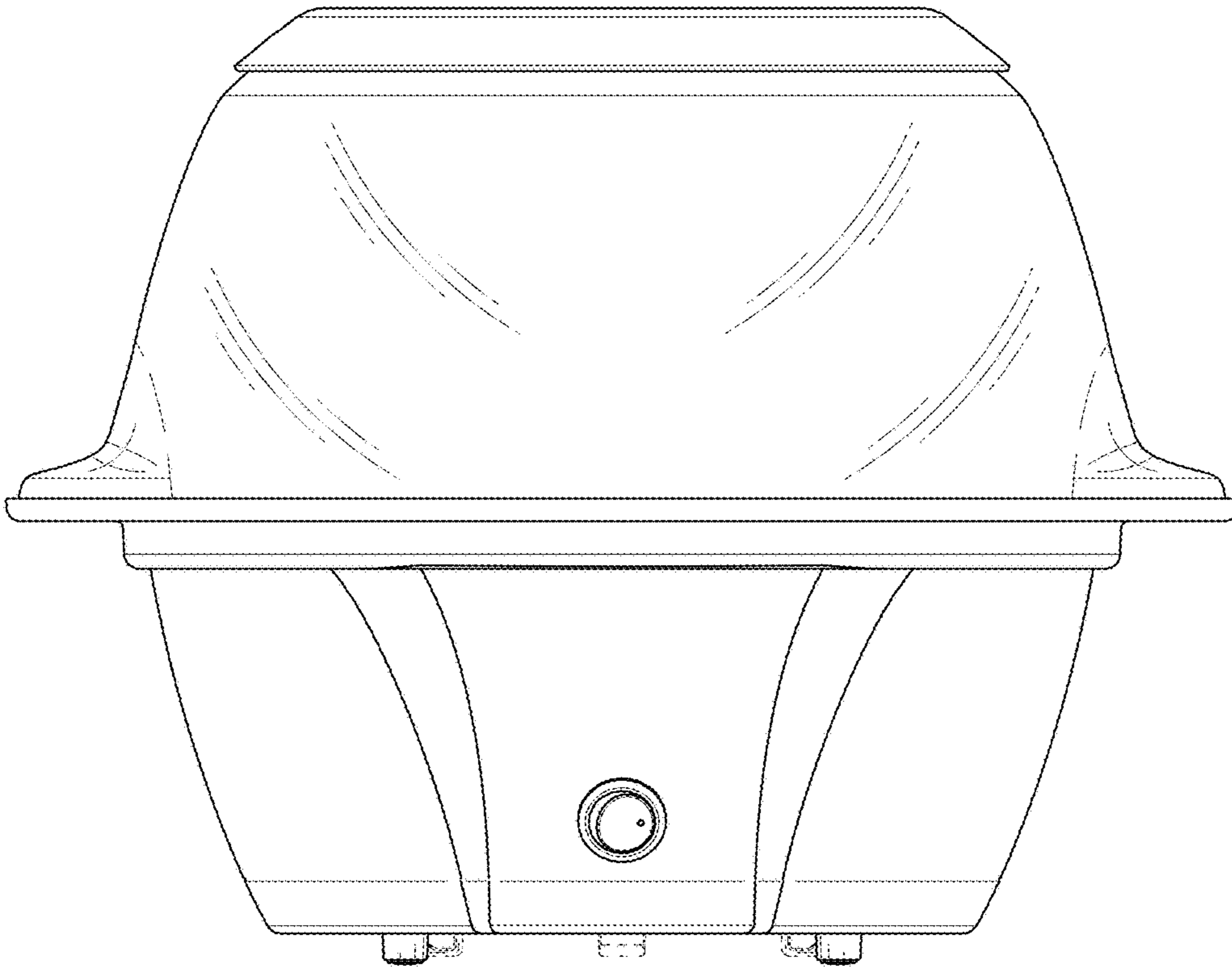


FIG. 2

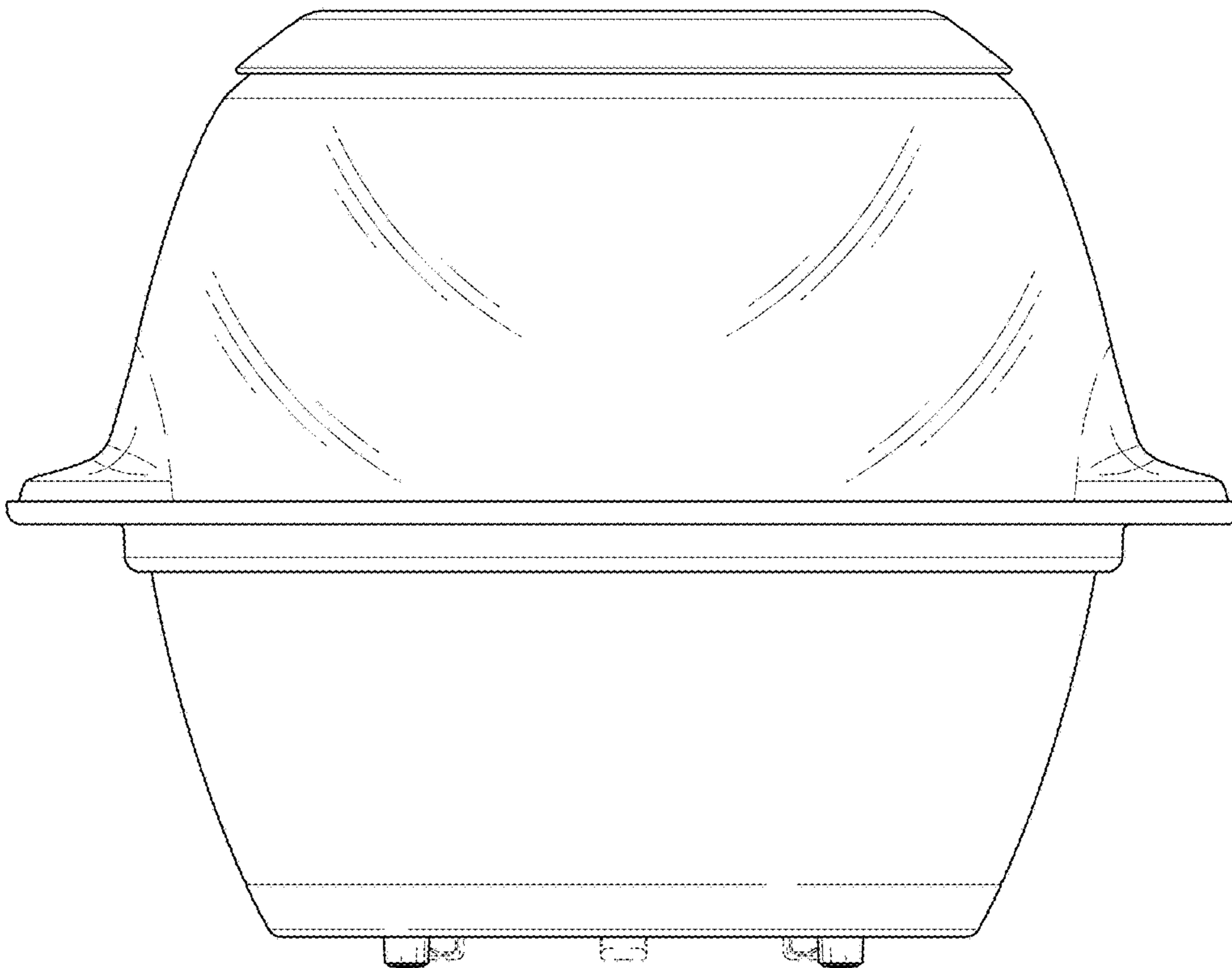


FIG. 3

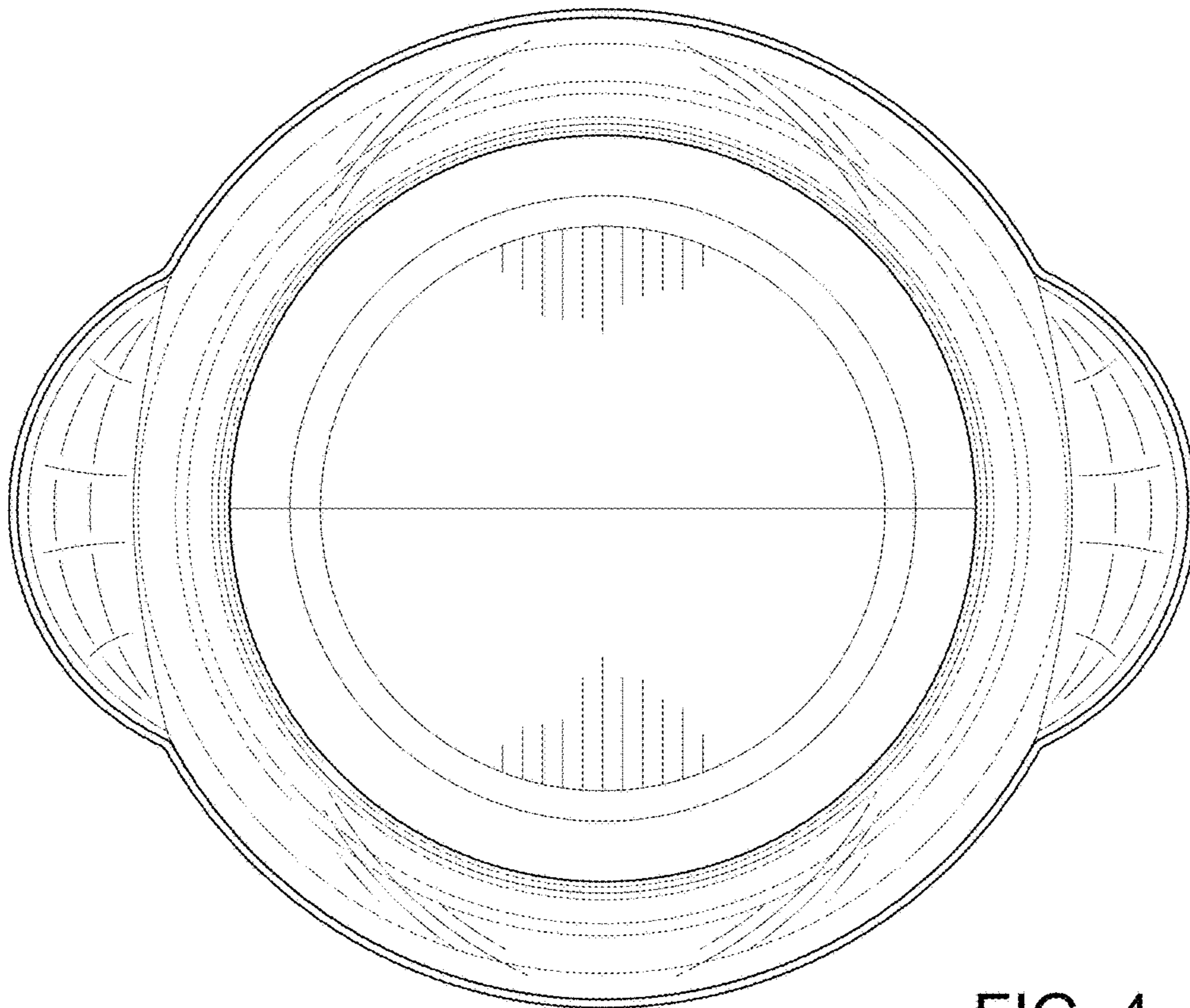


FIG. 4

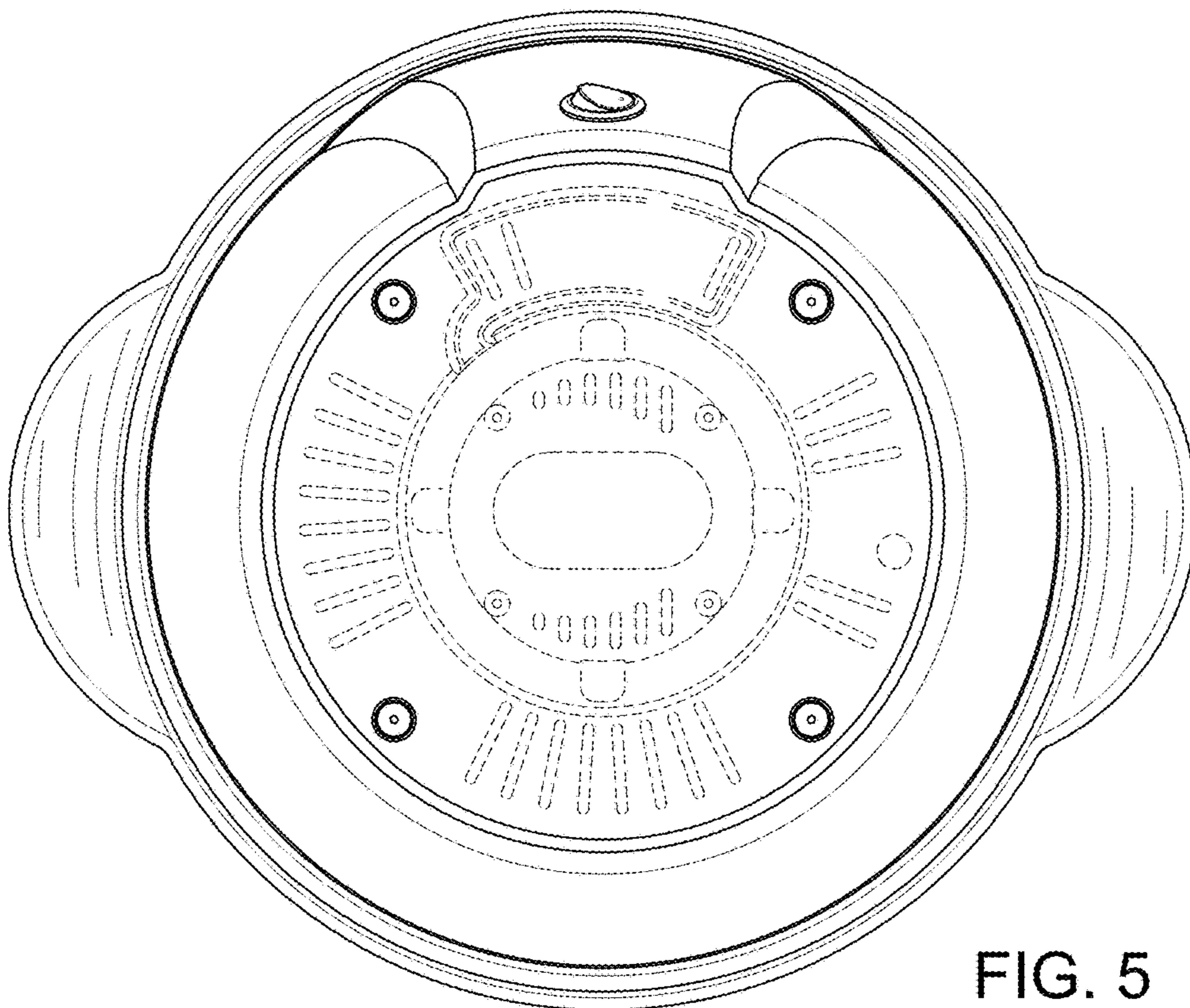


FIG. 5

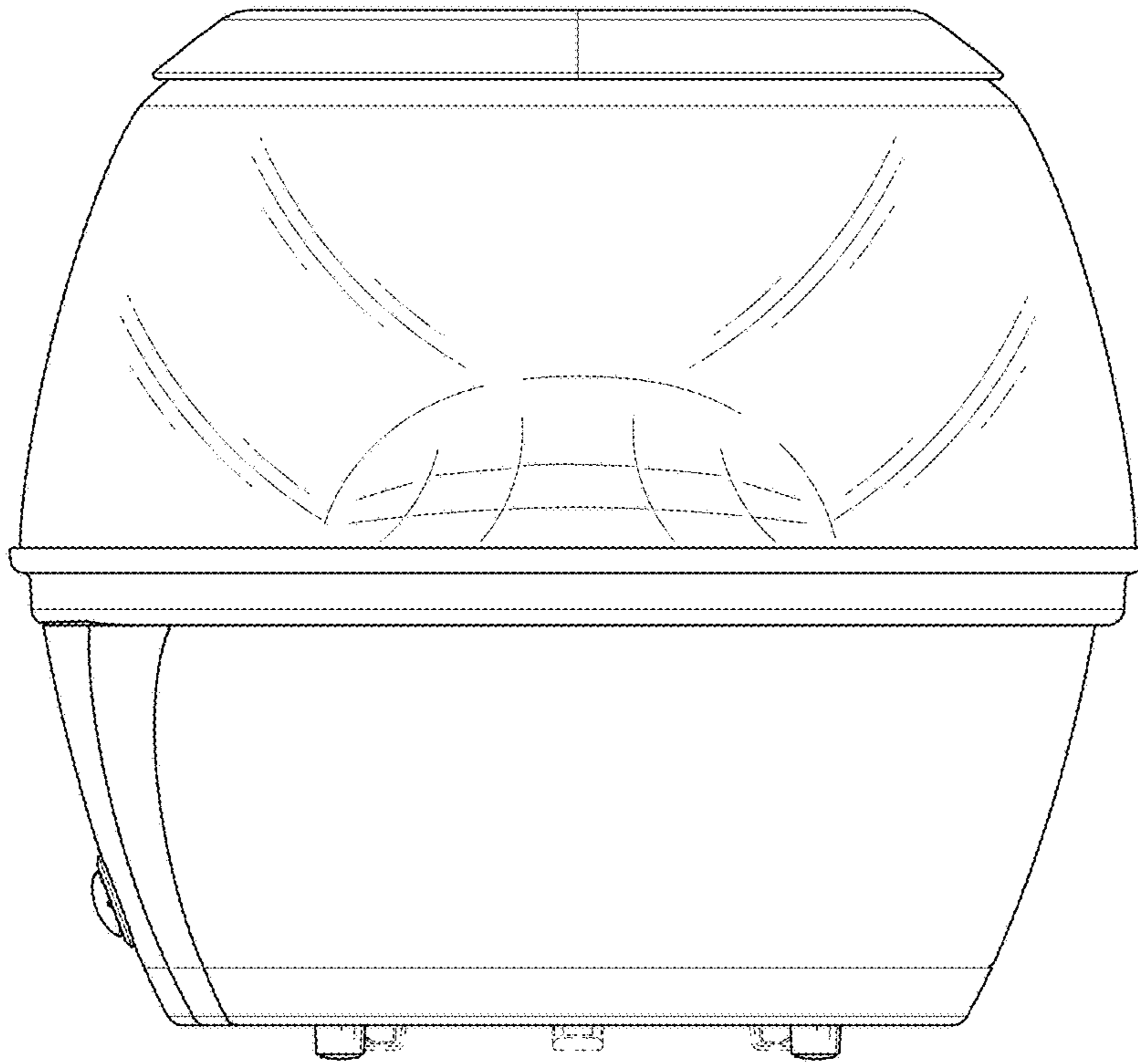


FIG. 6

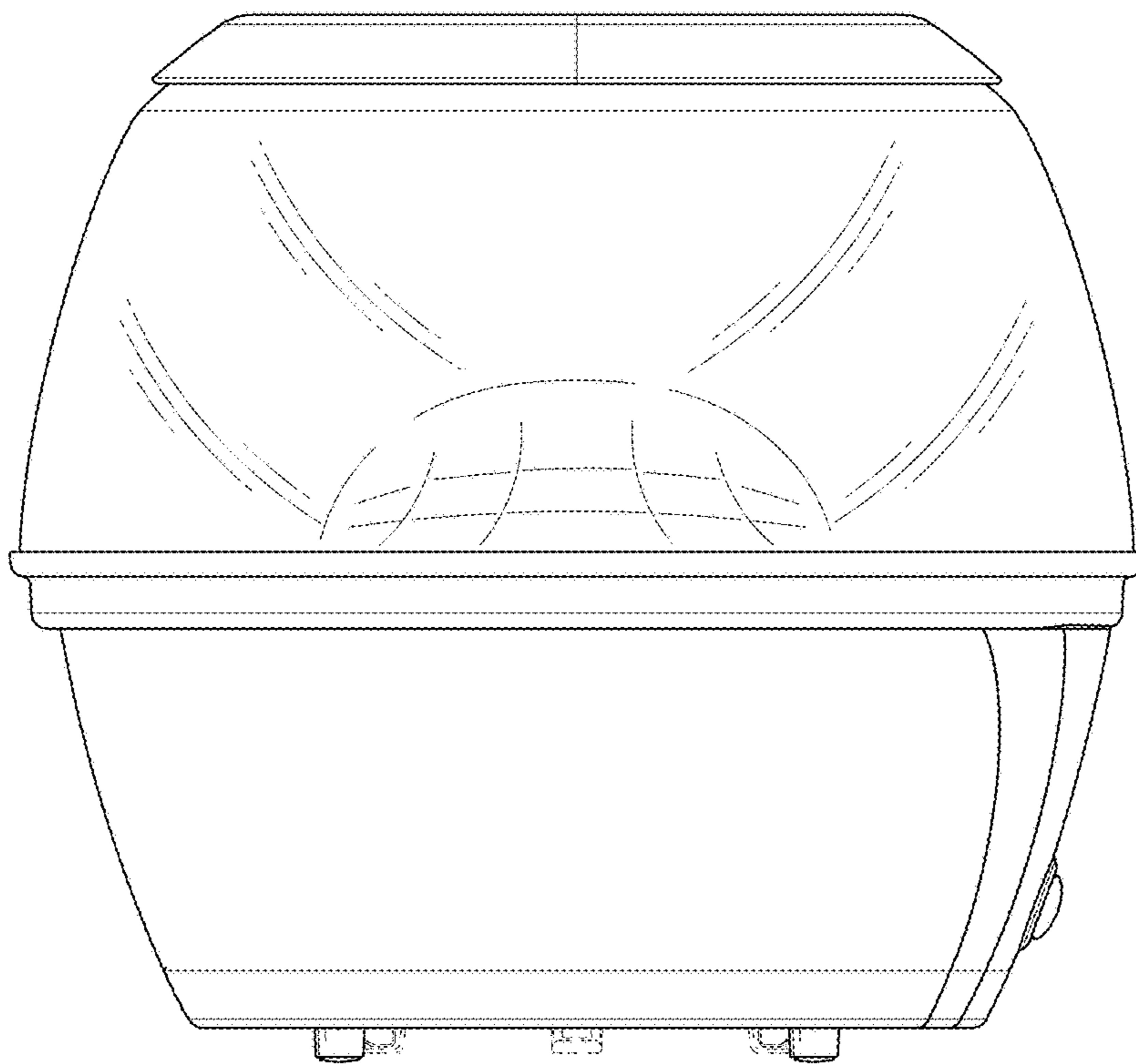


FIG. 7