



US00D812405S

(12) **United States Design Patent**  
**Guelfo**

(10) **Patent No.:** **US D812,405 S**  
(45) **Date of Patent:** **\*\* Mar. 13, 2018**

(54) **COFFEE MACHINE**

(71) Applicant: **Gruppo Cimbali S.p.A.**, Binasco (IT)

(72) Inventor: **Nicola Guelfo**, Moncalieri (IT)

(73) Assignee: **Gruppo Cimbali S.p.A.**, Binasco (IT)

(\*\*) Term: **15 Years**

(21) Appl. No.: **29/561,963**

(22) Filed: **Apr. 21, 2016**

(30) **Foreign Application Priority Data**

Oct. 21, 2015 (EM) ..... 002831396

(51) **LOC (11) Cl.** ..... **07-01**

(52) **U.S. Cl.**

USPC ..... **D7/309**; D7/311

(58) **Field of Classification Search**

USPC ..... D7/305-311, 313; D15/82; 222/129.1,  
222/146.6; 99/295

CPC ..... A47J 31/44; A47J 31/4403; A47J 31/46;  
A47J 31/4482; A47J 31/369; A47J  
31/407; A47J 31/10; A47J 31/467; A47J  
31/0615; B67D 1/36; B67D 2210/0065;  
B67D 1/0864; B67D 3/0061

See application file for complete search history.

(56) **References Cited**

**U.S. PATENT DOCUMENTS**

D313,724 S \* 1/1991 Pinon ..... D7/308  
D395,975 S \* 7/1998 Munoz ..... D7/308

D417,580 S \* 12/1999 Fusi ..... D7/309  
D439,788 S \* 4/2001 Bettini ..... D7/309  
D476,842 S \* 7/2003 Cortese ..... D7/308  
D497,510 S \* 10/2004 Comorera Ivanov ..... D7/307  
D550,498 S \* 9/2007 Vicente Seguer ..... D7/309  
D551,487 S \* 9/2007 Beretta ..... D7/307  
D573,393 S \* 7/2008 Trazzi ..... D7/309  
D589,739 S \* 4/2009 Giugiaro ..... D7/308  
D592,003 S \* 5/2009 Giugiaro ..... D7/308  
D595,081 S \* 6/2009 Tan ..... D7/307  
D672,998 S \* 12/2012 Bonetto ..... D7/308  
D695,052 S \* 12/2013 Ottavi ..... D7/309  
D758,778 S \* 6/2016 Bonetto ..... D7/306

\* cited by examiner

*Primary Examiner* — Marianne Pandozzi

(74) *Attorney, Agent, or Firm* — Alan G. Towner Esq.;  
Leech Tishman Fuscaldo & Lampl

(57) **CLAIM**

The ornamental design for a coffee machine, as shown and described.

**DESCRIPTION**

FIG. 1 is a perspective view of a coffee machine showing my new design;

FIG. 2 is a front view thereof;

FIG. 3 is a rear view thereof;

FIG. 4 is a left side view thereof;

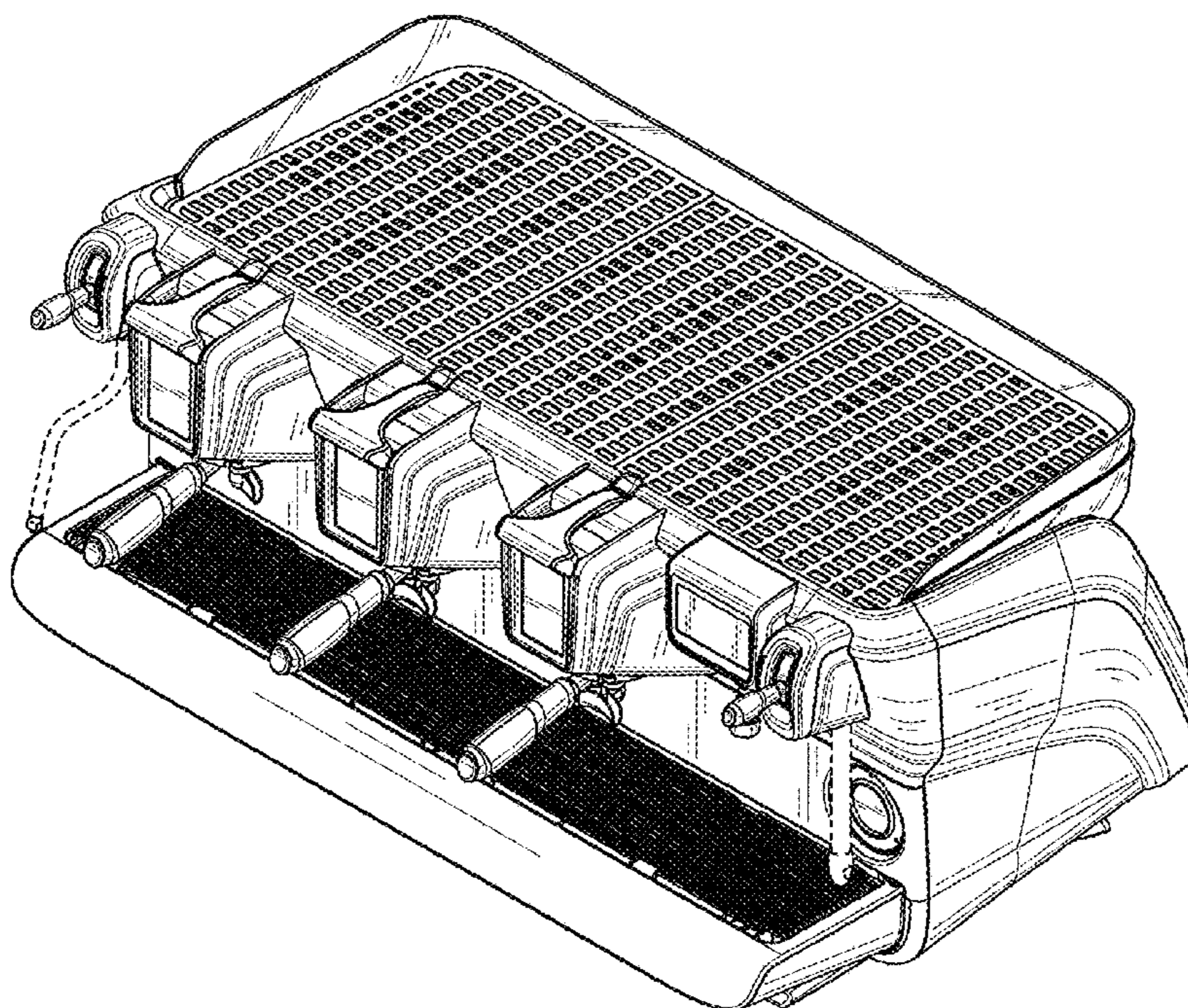
FIG. 5 is a right side view thereof;

FIG. 6 is a top plan view thereof; and,

FIG. 7 is a bottom plan view thereof.

The broken lines are for environmental purposes only and form no part of the claimed design.

**1 Claim, 7 Drawing Sheets**



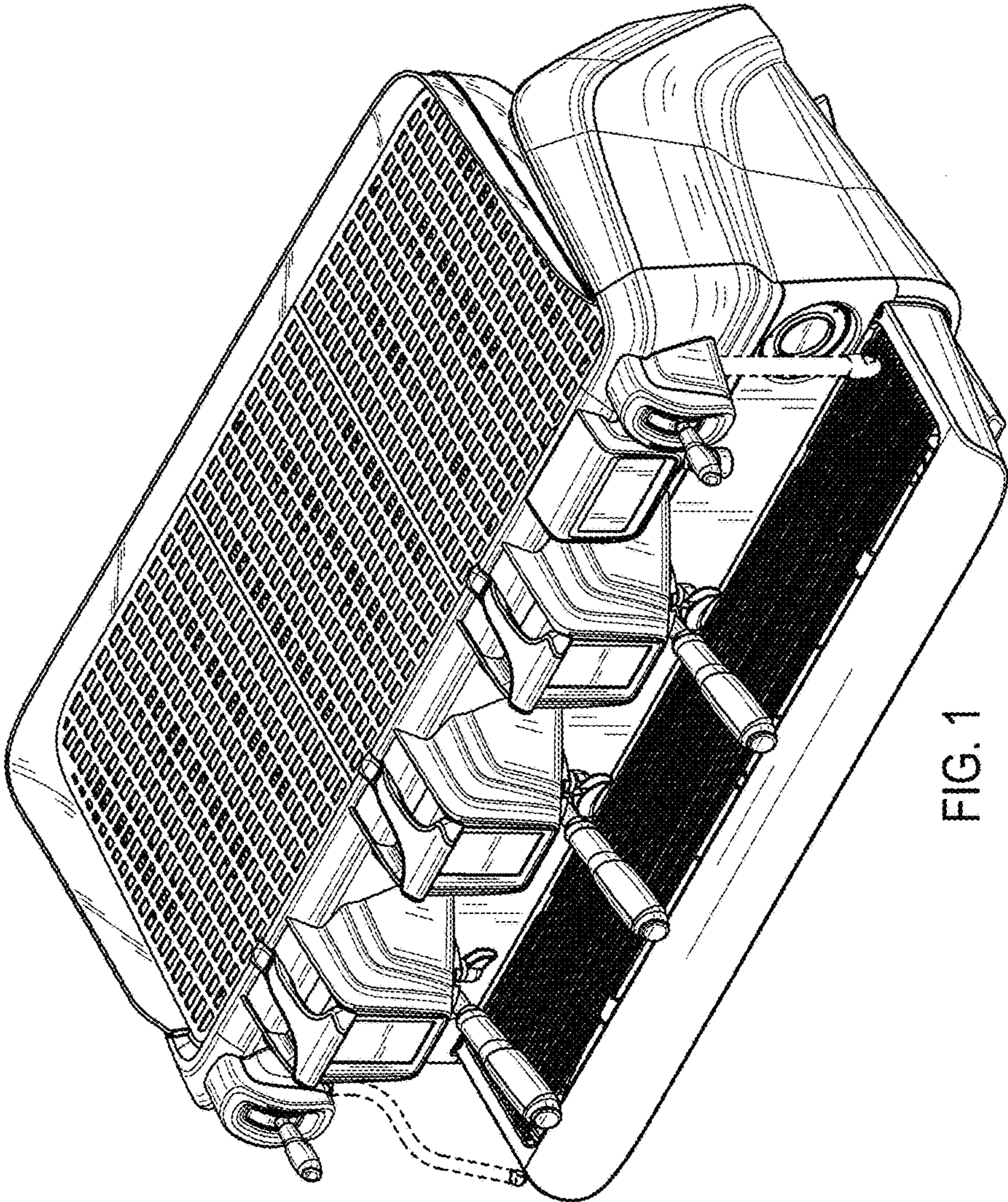


FIG. 1

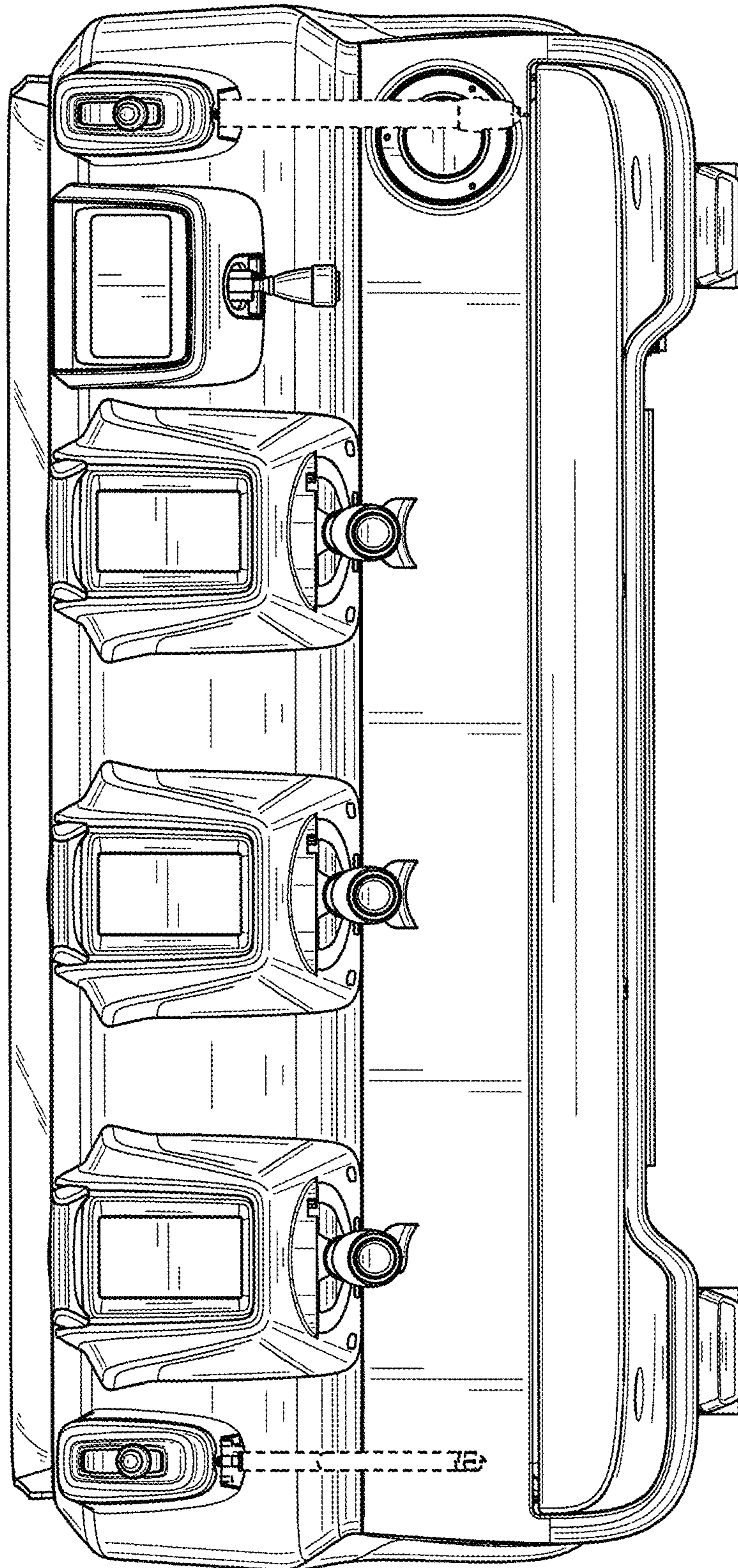


FIG. 2

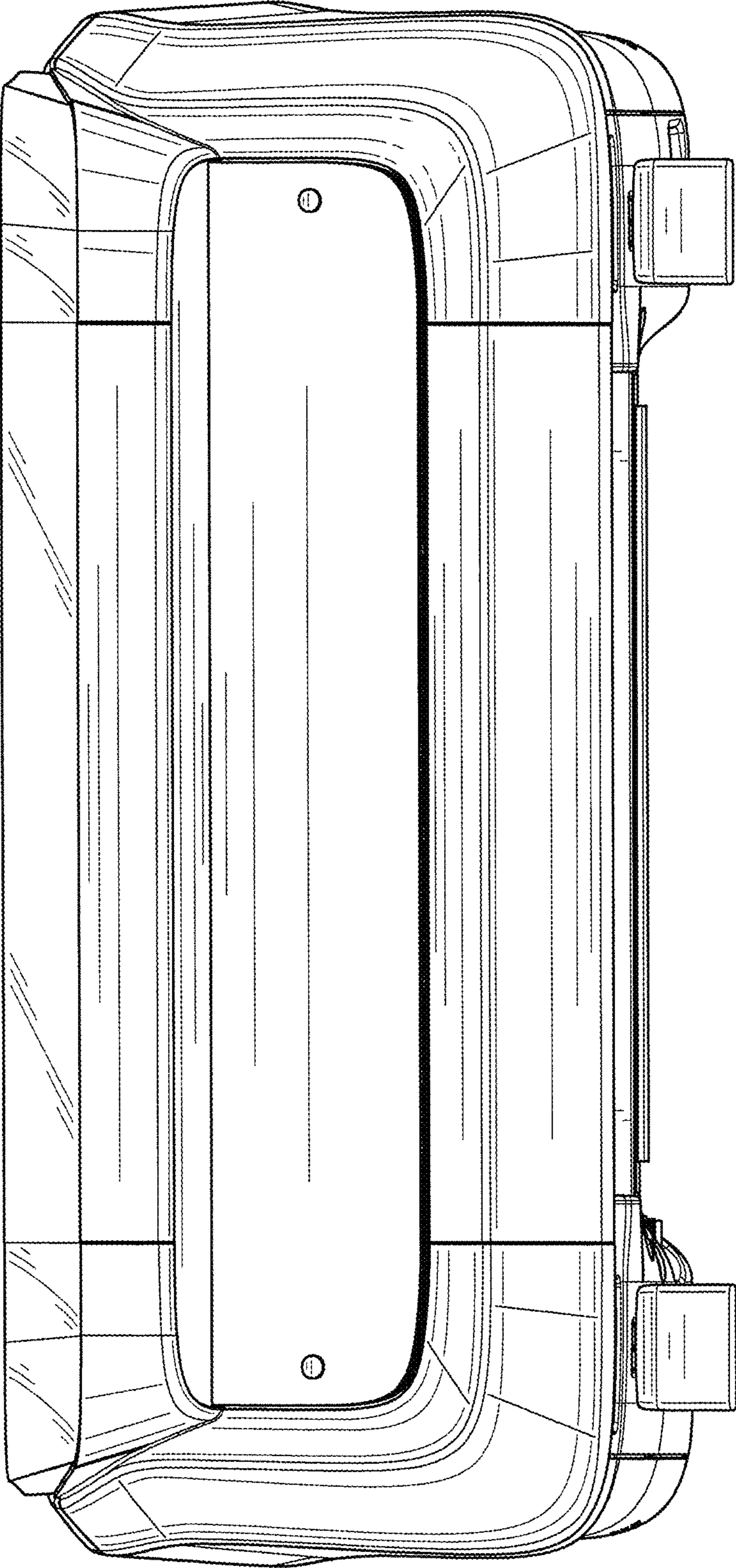


FIG. 3

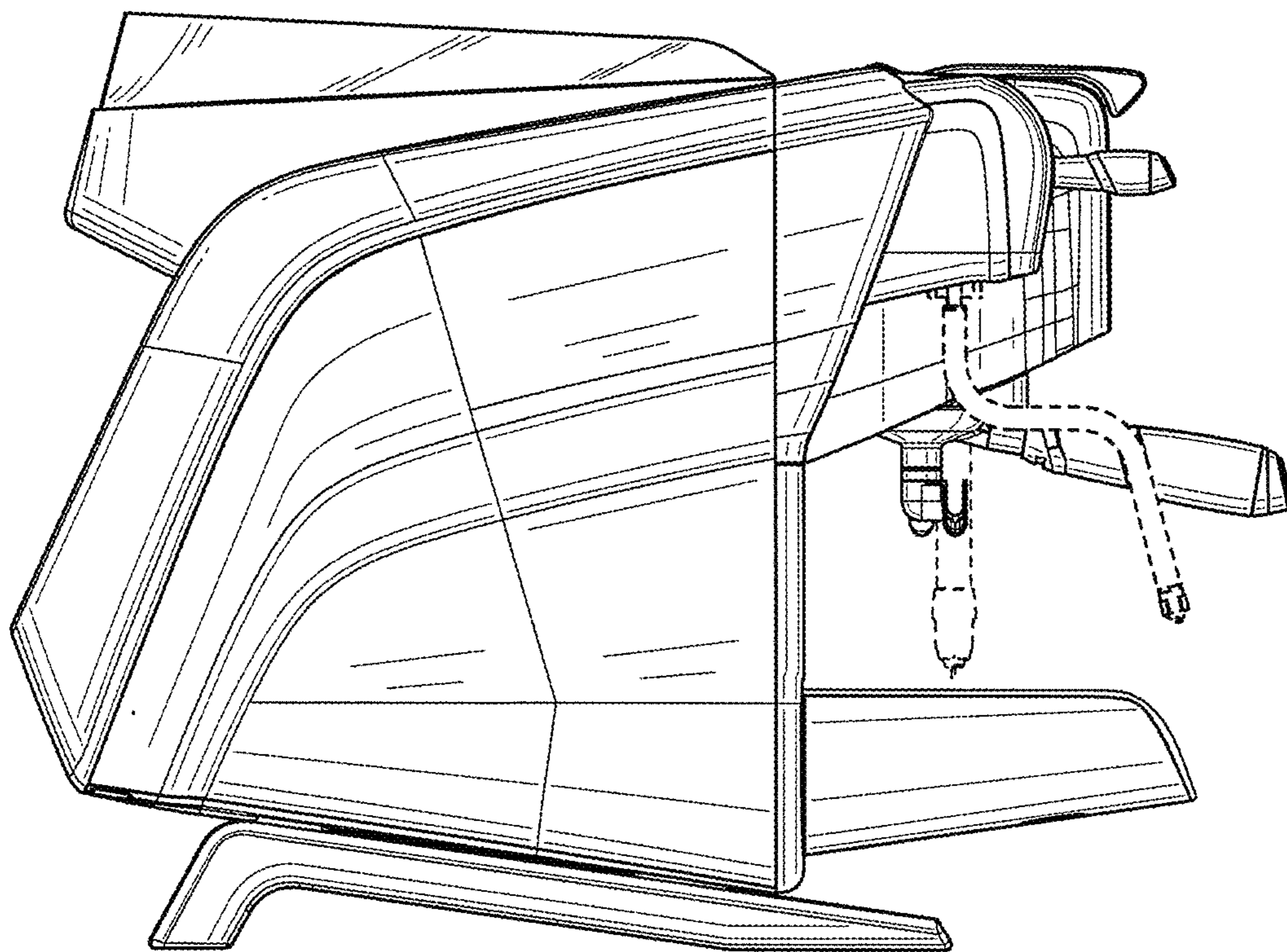


FIG. 4

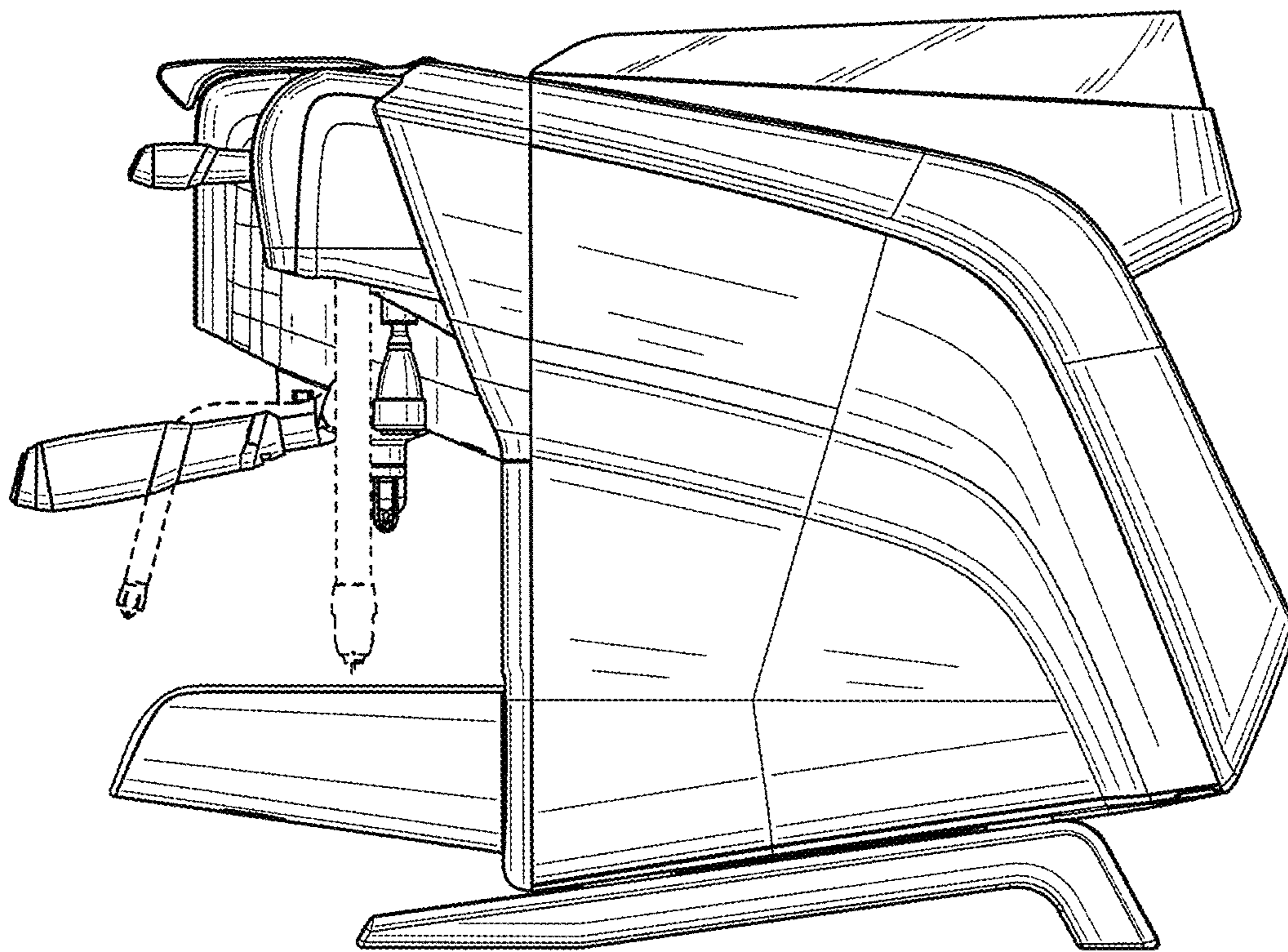


FIG. 5

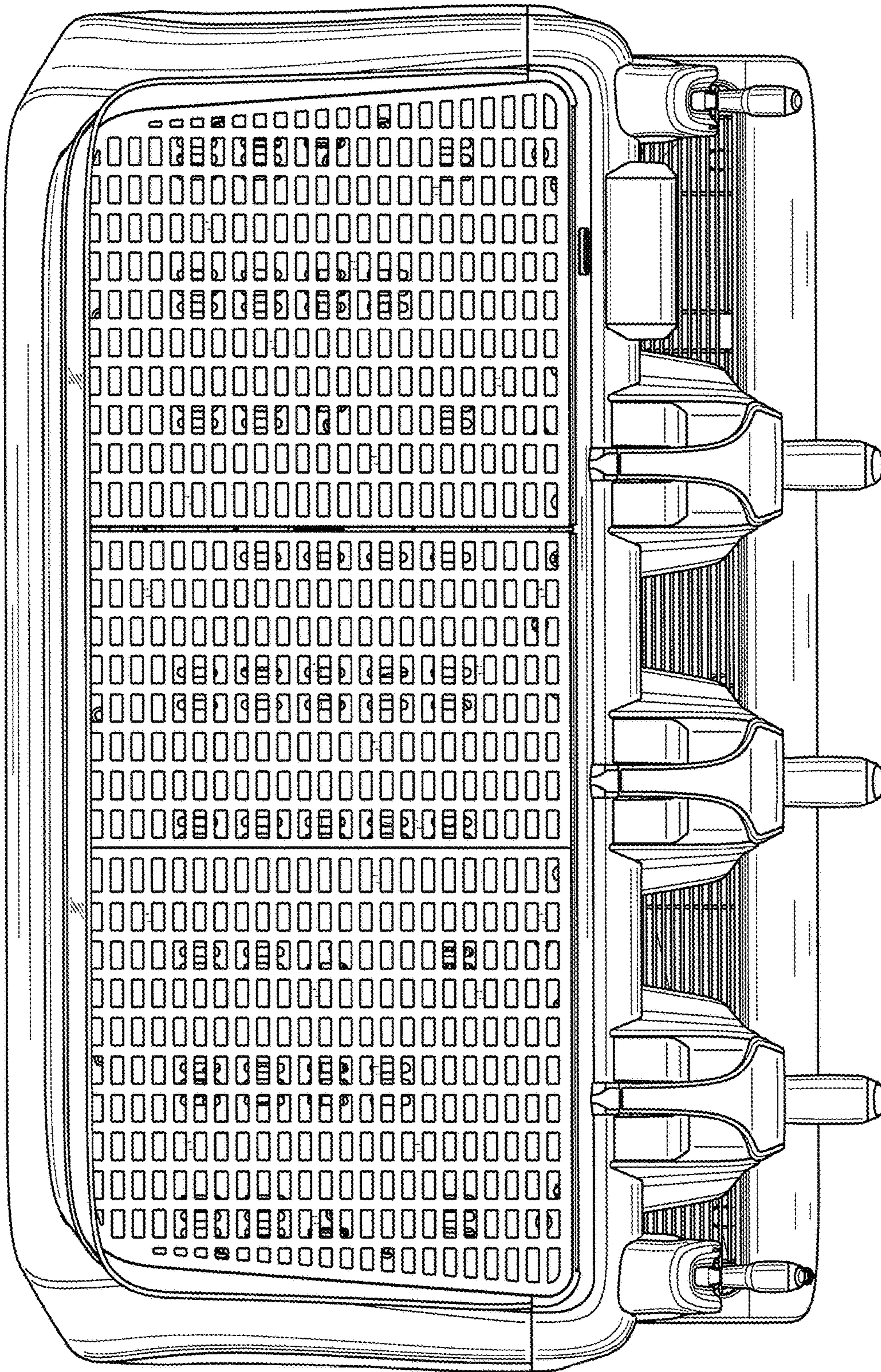


FIG. 6

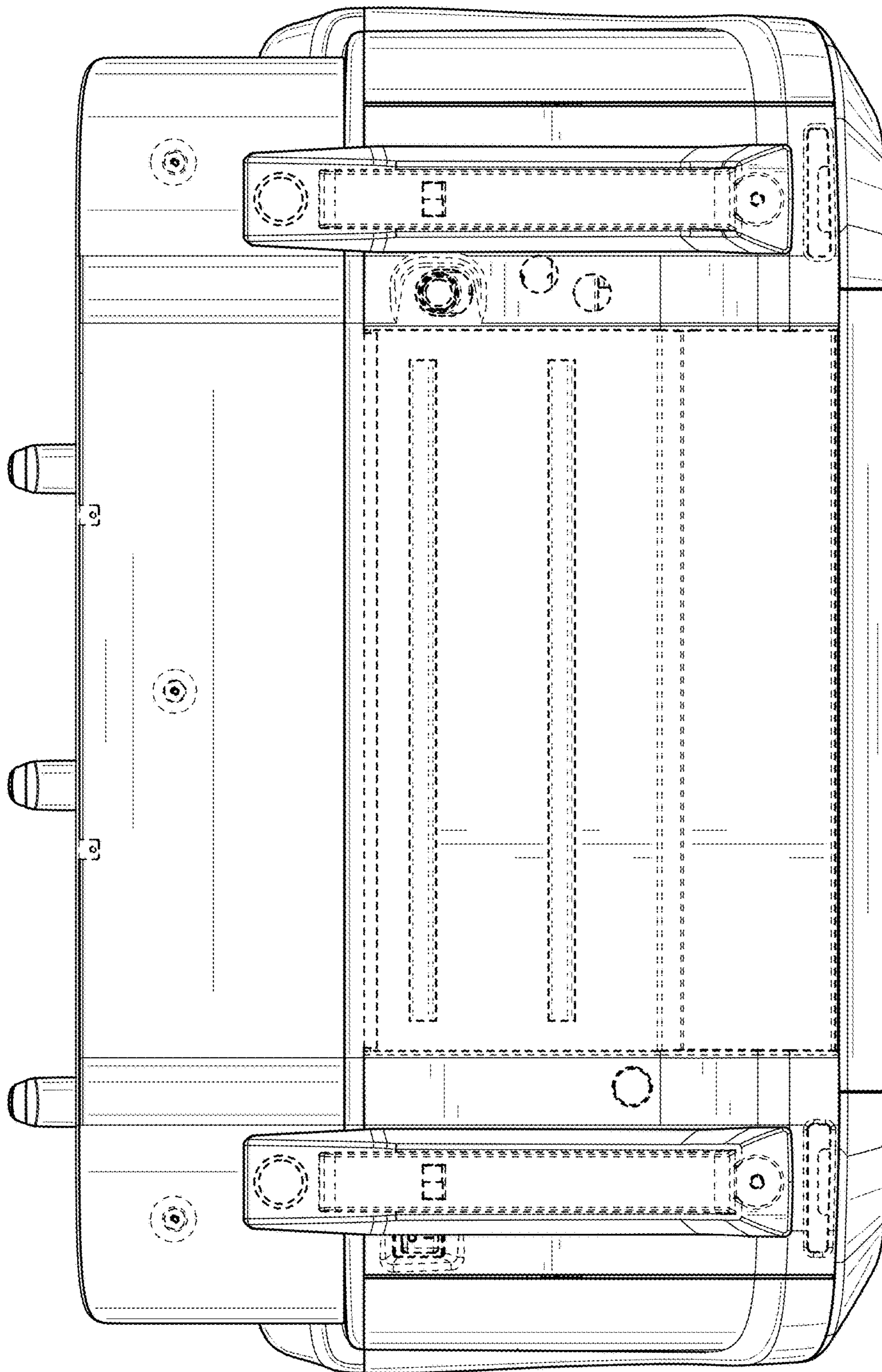


FIG. 7