



US00D812403S

(12) **United States Design Patent** (10) **Patent No.:** **US D812,403 S**
Leyva (45) **Date of Patent:** **** Mar. 13, 2018**

- (54) **KEG DISPENSER HOUSING**
- (71) Applicant: **Robert Leyva**, Roswell, NM (US)
- (72) Inventor: **Robert Leyva**, Roswell, NM (US)
- (**) Term: **15 Years**
- (21) Appl. No.: **29/559,542**
- (22) Filed: **Mar. 29, 2016**

2,414,929 A	1/1947	Civkin
2,596,316 A	5/1952	White
2,744,672 A	5/1956	Crist
2,774,229 A	12/1956	Thau et al.
2,792,692 A	5/1957	Bryan
3,599,371 A	8/1971	Barroero
3,712,514 A	1/1973	Leblanc
3,865,276 A	2/1975	Thompson
3,885,711 A	5/1975	Martindale
D241,219 S	8/1976	Martin
3,979,024 A	9/1976	Hoppe

(Continued)

Related U.S. Application Data

- (63) Continuation of application No. 29/518,488, filed on Feb. 24, 2015, now Pat. No. Des. 752,374, which is a continuation of application No. 29/473,974, filed on Nov. 27, 2013, now Pat. No. Des. 722,806, which is a continuation of application No. 13/025,090, filed on Feb. 10, 2011, now abandoned.
- (51) **LOC (11) Cl.** **07-01**
- (52) **U.S. Cl.**
USPC **D7/306; D7/313**
- (58) **Field of Classification Search**
USPC D7/300, 300.1, 300.2, 301-316; D9/738, D9/741, 745, 747, 772, 523, 525, 529, D9/530, 549, 416, 417, 544, 551, 435; D15/79, 81, 84; 222/146.6; 220/592.18, 220/592.19
CPC B67D 1/025; B67D 1/0412; B67D 1/0829; B67D 1/02
See application file for complete search history.

FOREIGN PATENT DOCUMENTS

DE	90 06 681	8/1990
DE	102007005037	8/2008

(Continued)

Primary Examiner — Marianne Pandozzi
(74) *Attorney, Agent, or Firm* — Peacock Law P.C.;
Janeen Vilven

(57) **CLAIM**

The ornamental design for a keg dispenser housing, as shown and described.

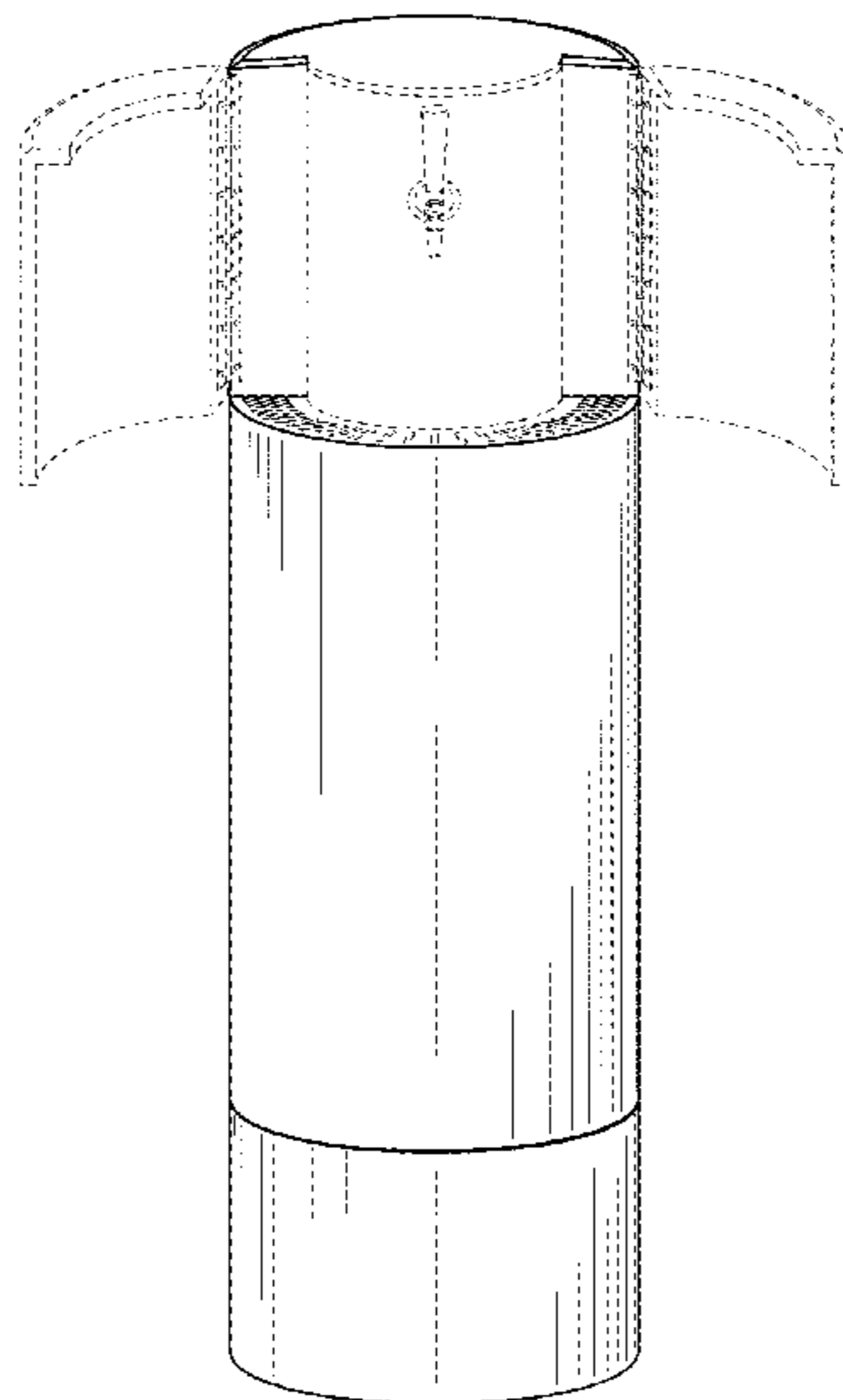
DESCRIPTION

FIG. 1 is a perspective view of a keg dispenser housing showing my new design in the closed position;
FIG. 2 is a perspective view thereof with the upper keg doors open;
FIG. 3 is a front plan view thereof
FIG. 4 is a rear plan view thereof;
FIG. 5 is a right side plan view thereof;
FIG. 6 is a left side plan view thereof;
FIG. 7 is a top plan view thereof; and,
FIG. 8 is a bottom plan view thereof.
The broken lines in the drawings depict portions of the keg dispenser housing that form no part of the claimed design.

1 Claim, 5 Drawing Sheets

(56) **References Cited**
U.S. PATENT DOCUMENTS

1,080,478 A	12/1913	Reis
2,063,171 A	12/1936	Kucher
2,080,786 A	5/1937	Robles
2,109,718 A	3/1938	Bayers
2,223,152 A	11/1940	Nagin
D143,887 S	2/1946	Thompson



(56)

References Cited

U.S. PATENT DOCUMENTS

4,225,059 A 9/1980 Kappos
 4,350,267 A 9/1982 Nelson et al.
 D271,877 S 12/1983 Hoff
 4,497,348 A 2/1985 Sedam
 D285,052 S 8/1986 Bianchi et al.
 4,690,300 A 9/1987 Woods
 D298,602 S 11/1988 Price
 D300,106 S 3/1989 Paulin
 4,901,887 A 2/1990 Burton
 D311,298 S 10/1990 Mollenhoff
 D352,296 S 11/1994 Westendorf
 5,379,916 A 1/1995 Martindale et al.
 D367,864 S 3/1996 Lacewell
 D368,271 S 3/1996 Montgomery
 5,537,825 A 7/1996 Ward
 D399,088 S 10/1998 Chaney
 5,941,103 A 8/1999 Stearns
 D415,023 S 10/1999 Snyder
 5,992,684 A 11/1999 Russell
 D417,614 S * 12/1999 Chu D3/229
 D423,862 S 5/2000 Mravlja, Jr. et al.
 6,237,345 B1 5/2001 Kalman et al.
 6,502,415 B2 1/2003 Chiusolo
 D469,787 S 2/2003 Wicker
 D482,227 S 11/2003 Walton
 D489,214 S 5/2004 Noda et al.
 6,783,034 B1 8/2004 Brent
 7,150,163 B1 12/2006 McAllister
 D538,641 S 3/2007 Limber
 7,225,951 B2 6/2007 Wempe et al.
 7,237,390 B1 7/2007 Nelson
 D555,967 S 11/2007 Rasmussen
 7,343,757 B2 3/2008 Egan et al.
 D578,894 S * 10/2008 Seum D9/504
 D588,852 S 3/2009 Stein
 D600,060 S * 9/2009 Fletcher D7/306

D605,263 S * 12/2009 Nelson D23/318
 D617,603 S 6/2010 Garman
 D640,569 S 6/2011 Alongi
 7,975,879 B2 7/2011 Groesbeck
 D646,104 S 10/2011 Zhou et al.
 8,217,613 B2 7/2012 Yoo et al.
 8,231,036 B2 7/2012 Campbell et al.
 D677,102 S 3/2013 Walton et al.
 8,496,308 B2 7/2013 Zabbatino
 D691,643 S 10/2013 Sharkey
 D697,748 S 1/2014 Wang et al.
 8,789,726 B2 7/2014 Segers
 D722,806 S 2/2015 Leyva
 8,991,638 B2 * 3/2015 Nelson B21D 53/02
 220/567.3
 D734,086 S 7/2015 Tseng et al.
 9,073,741 B2 7/2015 Jannatkah
 D735,514 S 8/2015 Cheung et al.
 D736,024 S 8/2015 Taubman et al.
 9,227,828 B2 * 1/2016 Groesbeck B67D 3/0067
 D752,374 S 3/2016 Leyva
 9,809,238 B2 11/2017 Kincaid et al.
 2002/0050496 A1 5/2002 Van Der Meer
 2010/0206890 A1 8/2010 Segers
 2010/0276444 A1 11/2010 Belcham
 2011/0017776 A1 1/2011 Metropulos et al.
 2011/0168775 A1 7/2011 Van Zetten
 2012/0132673 A1 5/2012 Leyva et al.
 2013/0061762 A1 3/2013 Carr et al.
 2014/0110018 A1 4/2014 Scarvelli
 2016/0236926 A1 8/2016 Leyva et al.

FOREIGN PATENT DOCUMENTS

WO 93/23327 11/1993
 WO 2013/105962 7/2013
 WO 2015/061564 4/2015

* cited by examiner

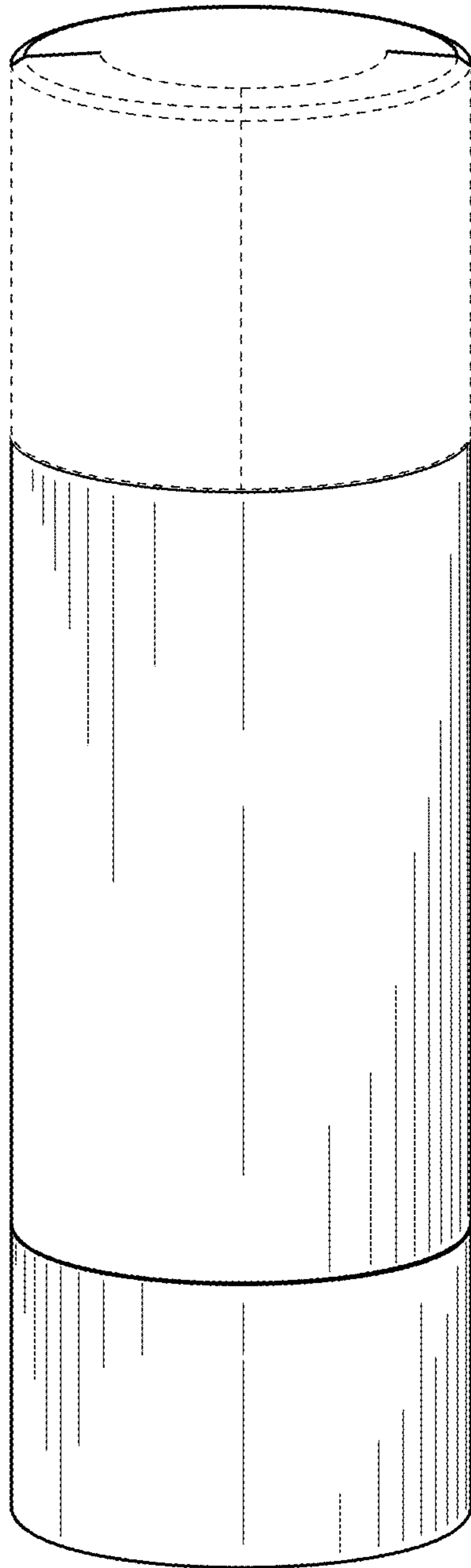


FIG. 1

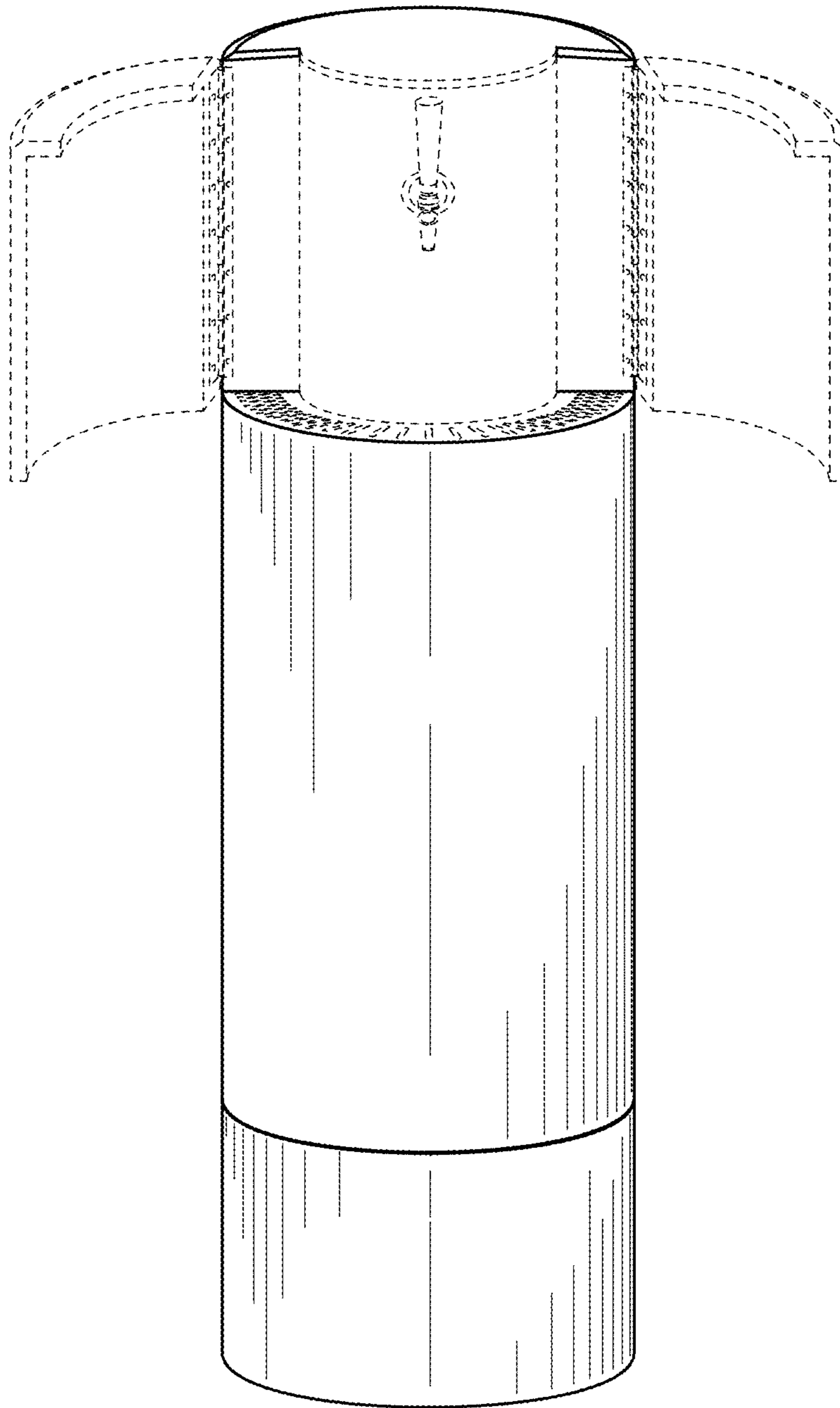


FIG. 2

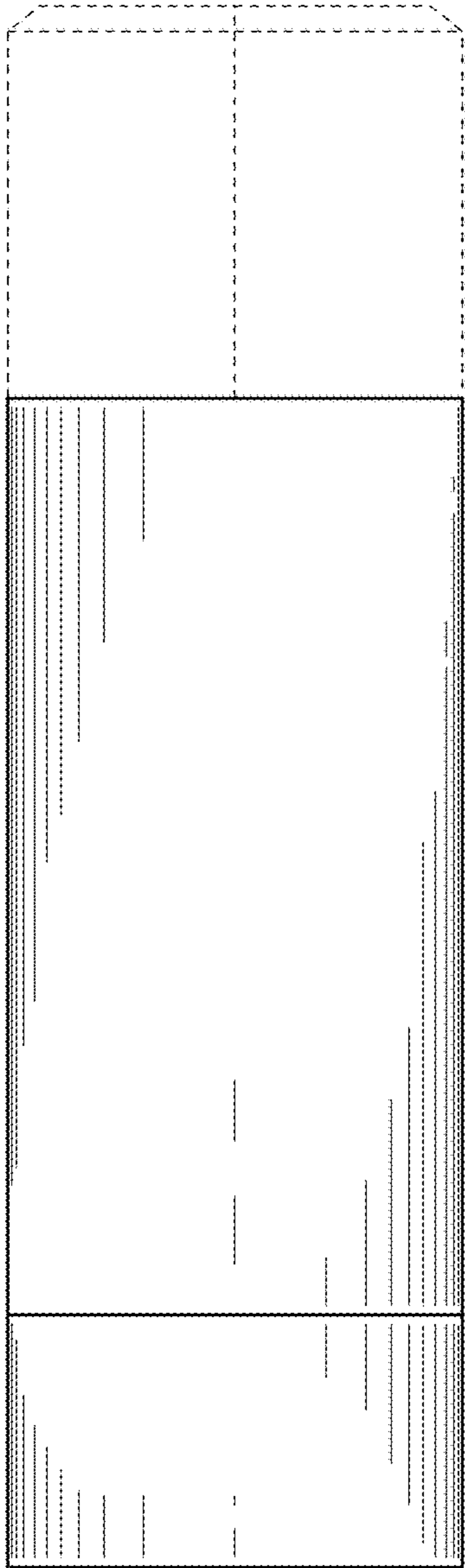


FIG. 3

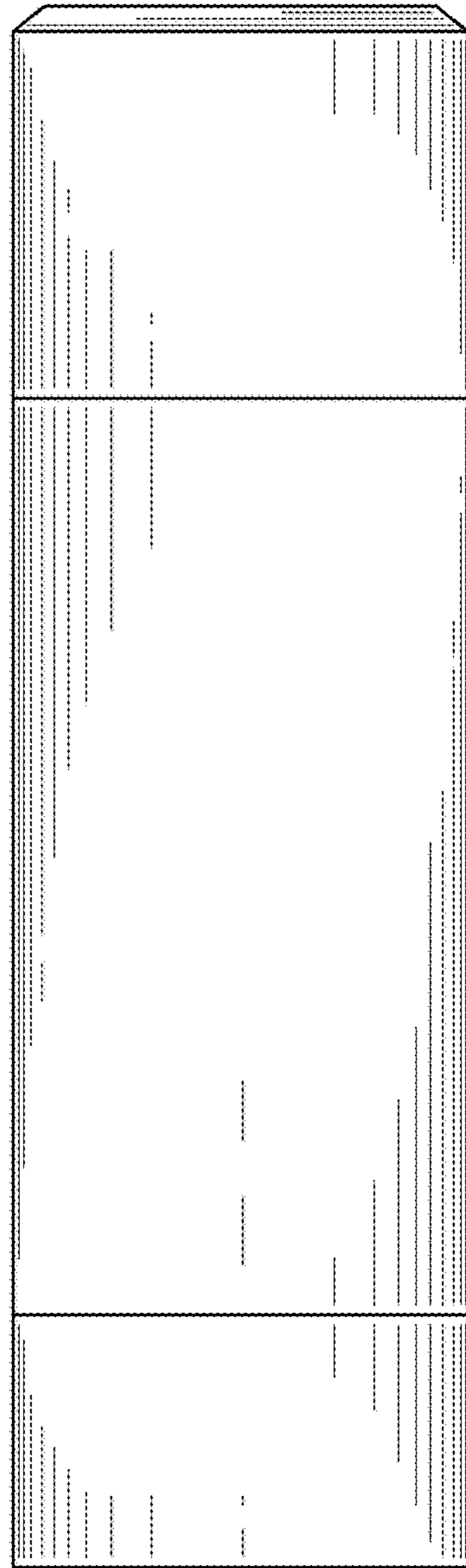


FIG. 4

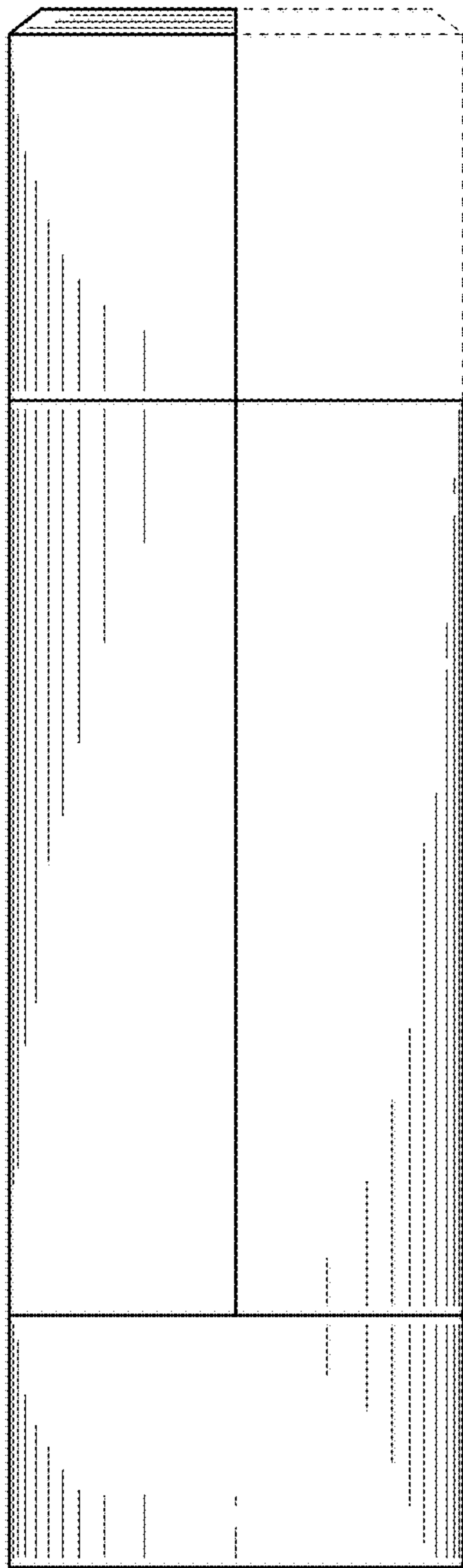


FIG. 5

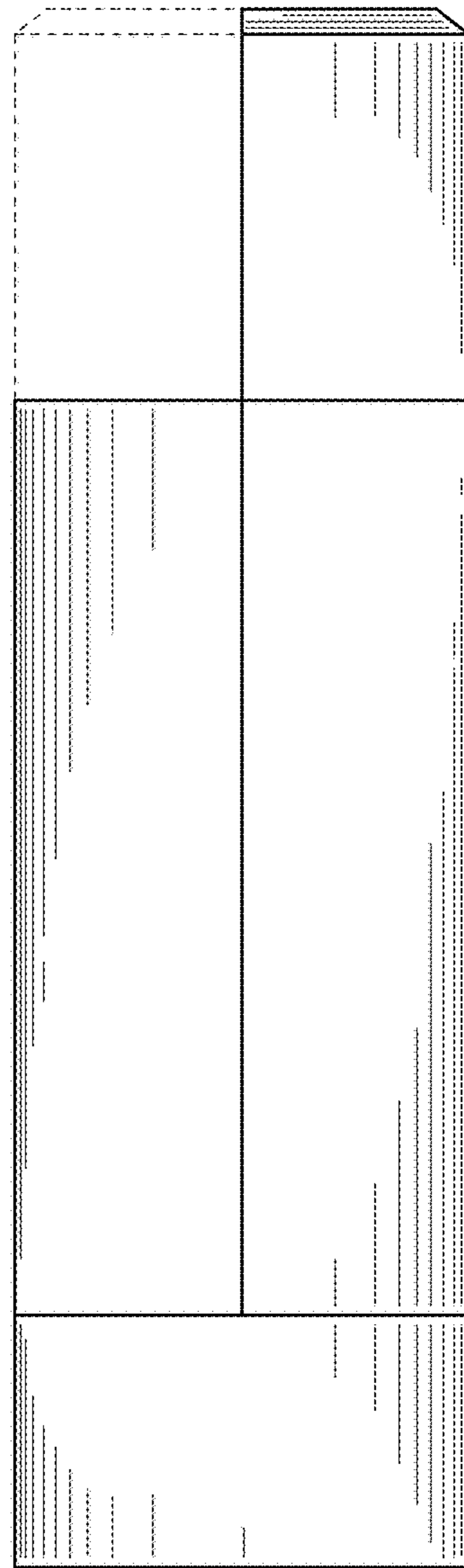


FIG. 6

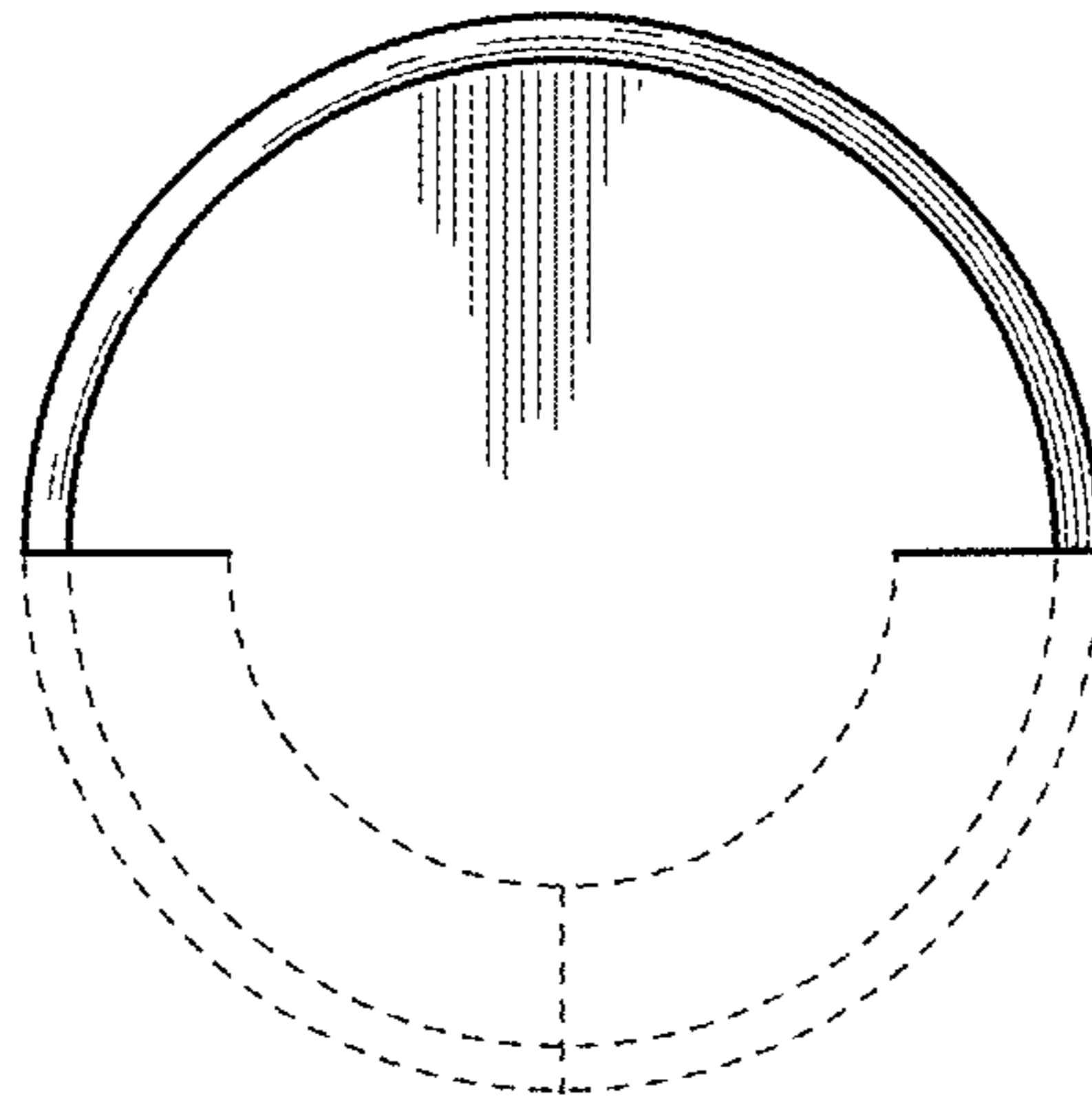


FIG. 7

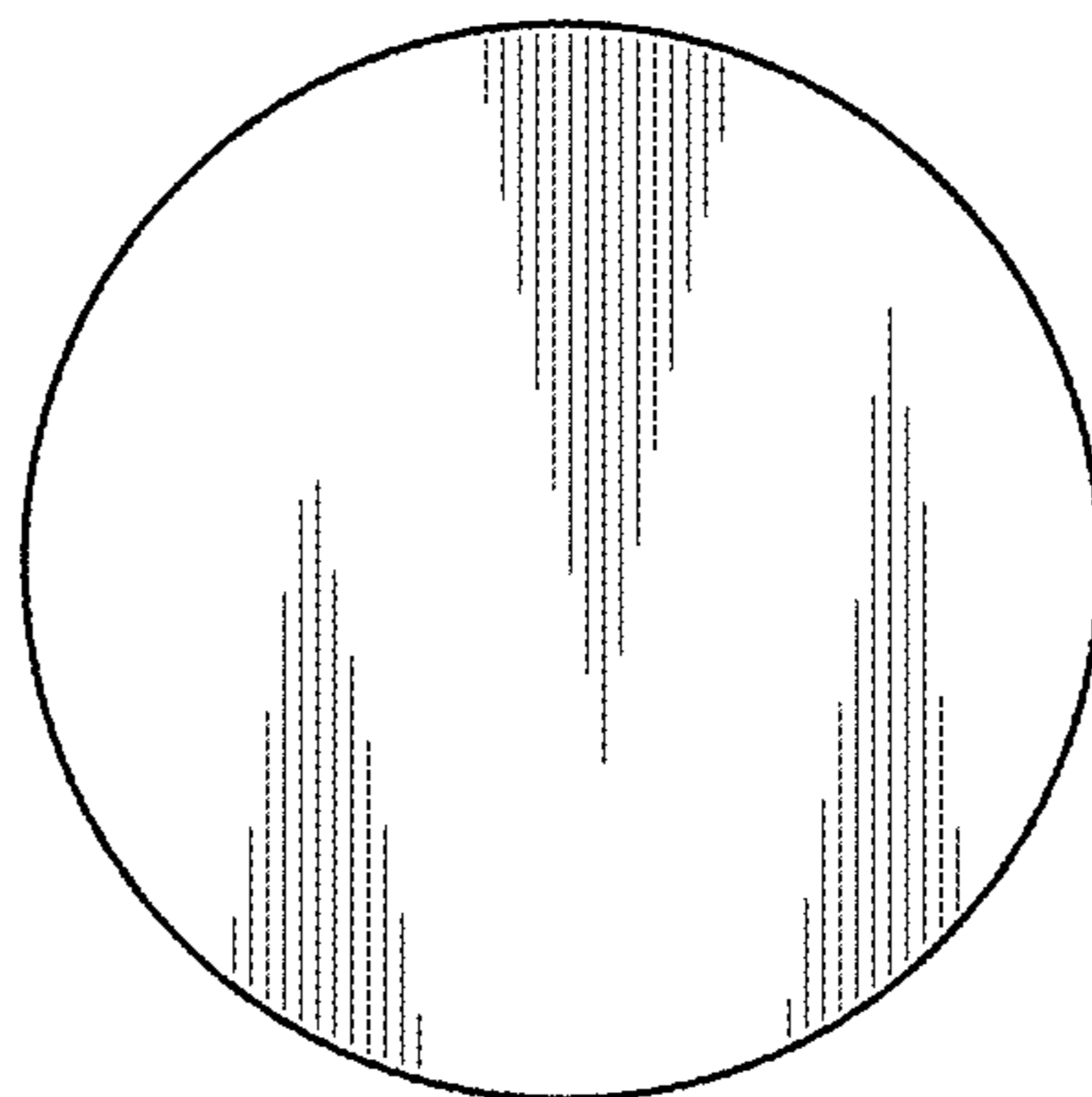


FIG. 8