



US00D812400S

(12) **United States Design Patent**  
**Burden**

(10) **Patent No.:** **US D812,400 S**

(45) **Date of Patent:** **\*\* \*Mar. 13, 2018**

(54) **HEADBOARD**

(71) Applicant: **Ian James Burden**, Sovereign Islands (AU)

(72) Inventor: **Ian James Burden**, Sovereign Islands (AU)

(\*) Notice: This patent is subject to a terminal disclaimer.

(\*\*) Term: **15 Years**

(21) Appl. No.: **29/585,312**

(22) Filed: **Nov. 22, 2016**

(30) **Foreign Application Priority Data**

Sep. 14, 2016 (AU) ..... 201615213

(51) **LOC (11) Cl.** ..... **06-06**

(52) **U.S. Cl.**  
USPC ..... **D6/718.22**

(58) **Field of Classification Search**  
USPC ..... D6/382-384, 393-395, 718, 718.3,  
D6/718.21, 718.22  
CPC ..... A47C 19/00; A47C 19/02; A47C 19/021;  
A47C 19/022  
See application file for complete search history.

(56) **References Cited**

**U.S. PATENT DOCUMENTS**

D88,180 S \* 11/1932 Van de Riet ..... D6/393  
D466,716 S \* 12/2002 Tobin, Jr. .... D6/393

D493,040 S \* 7/2004 Wanek ..... D6/393  
D557,033 S \* 12/2007 De Blaay ..... D6/393  
D564,778 S \* 3/2008 Juneau ..... D6/393  
D641,187 S \* 7/2011 Schopmeyer ..... D6/718.22  
D719,387 S \* 12/2014 Biter ..... D6/718.22  
D767,914 S \* 10/2016 Burden ..... D6/393  
D770,825 S \* 11/2016 Burden ..... D6/718.22  
D770,826 S \* 11/2016 Burden ..... D6/718.22  
D775,886 S \* 1/2017 Burden ..... D6/718.21  
D785,968 S \* 5/2017 Burden ..... D6/395

\* cited by examiner

*Primary Examiner* — Cathron C Brooks

(74) *Attorney, Agent, or Firm* — Dykema Gossett PLLC

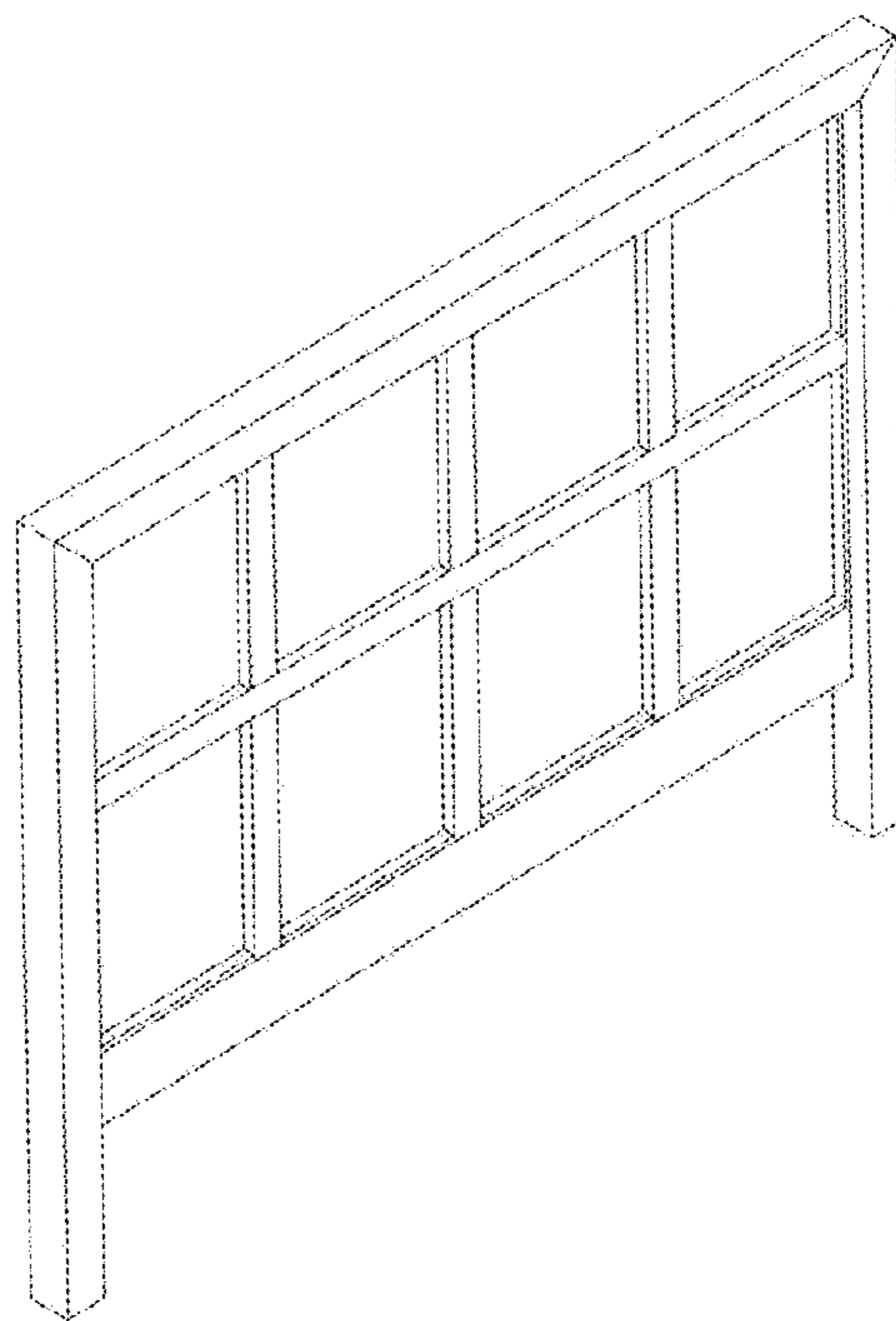
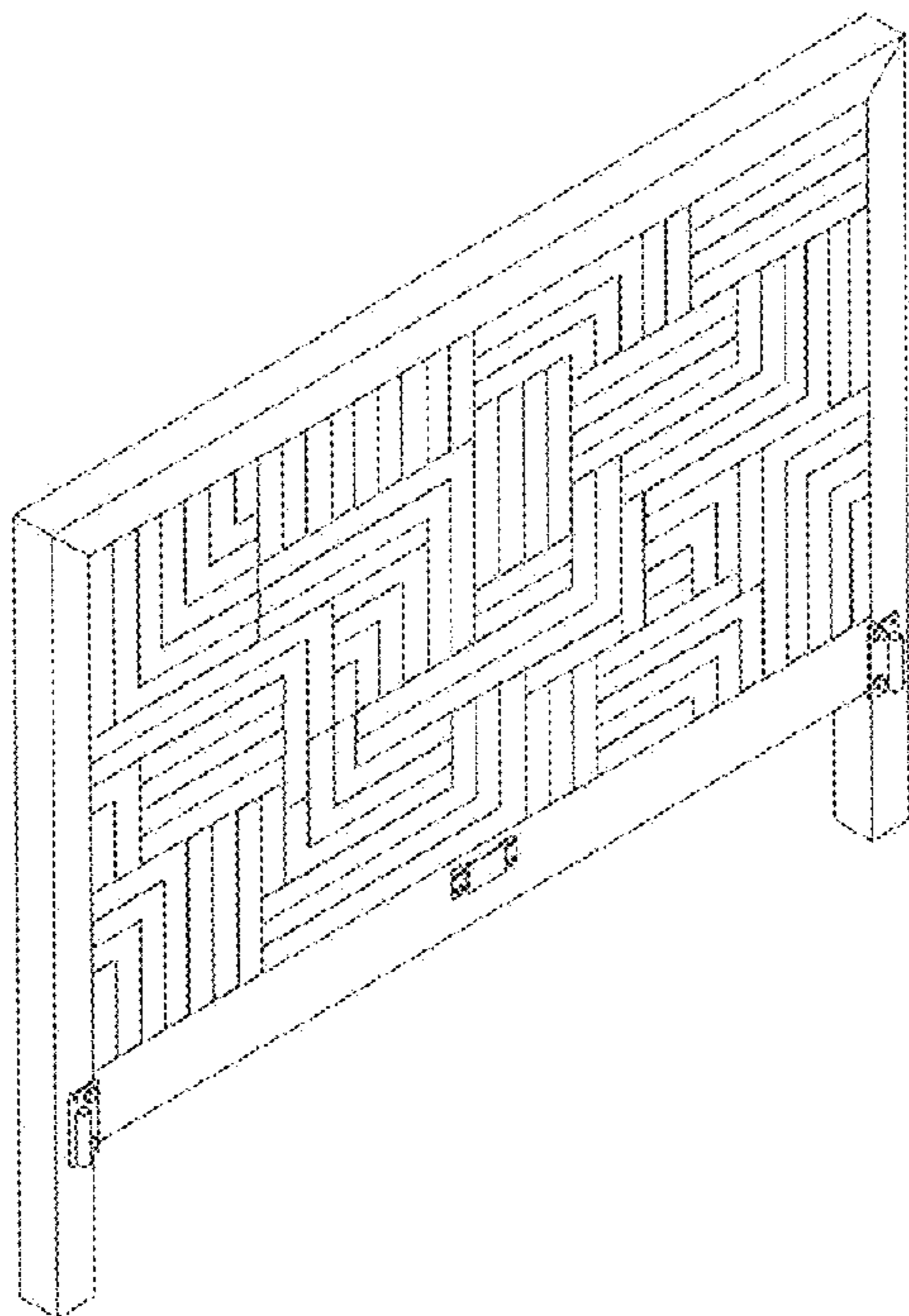
(57) **CLAIM**

The ornamental design for a headboard, as shown and described.

**DESCRIPTION**

FIG. 1 is an elevational front view headboard showing my new and ornamental design,  
FIG. 2 is an elevational rear view thereof,  
FIG. 3 is an elevational right side view thereof,  
FIG. 4 is an elevational left side view thereof,  
FIG. 5 is a top plan view thereof,  
FIG. 6 is a bottom plan view thereof,  
FIG. 7 is a perspective right front view thereof,  
FIG. 8 is a perspective left front view thereof,  
FIG. 9 is a perspective right rear view thereof; and,  
FIG. 10 is a perspective left rear view thereof.

**1 Claim, 10 Drawing Sheets**



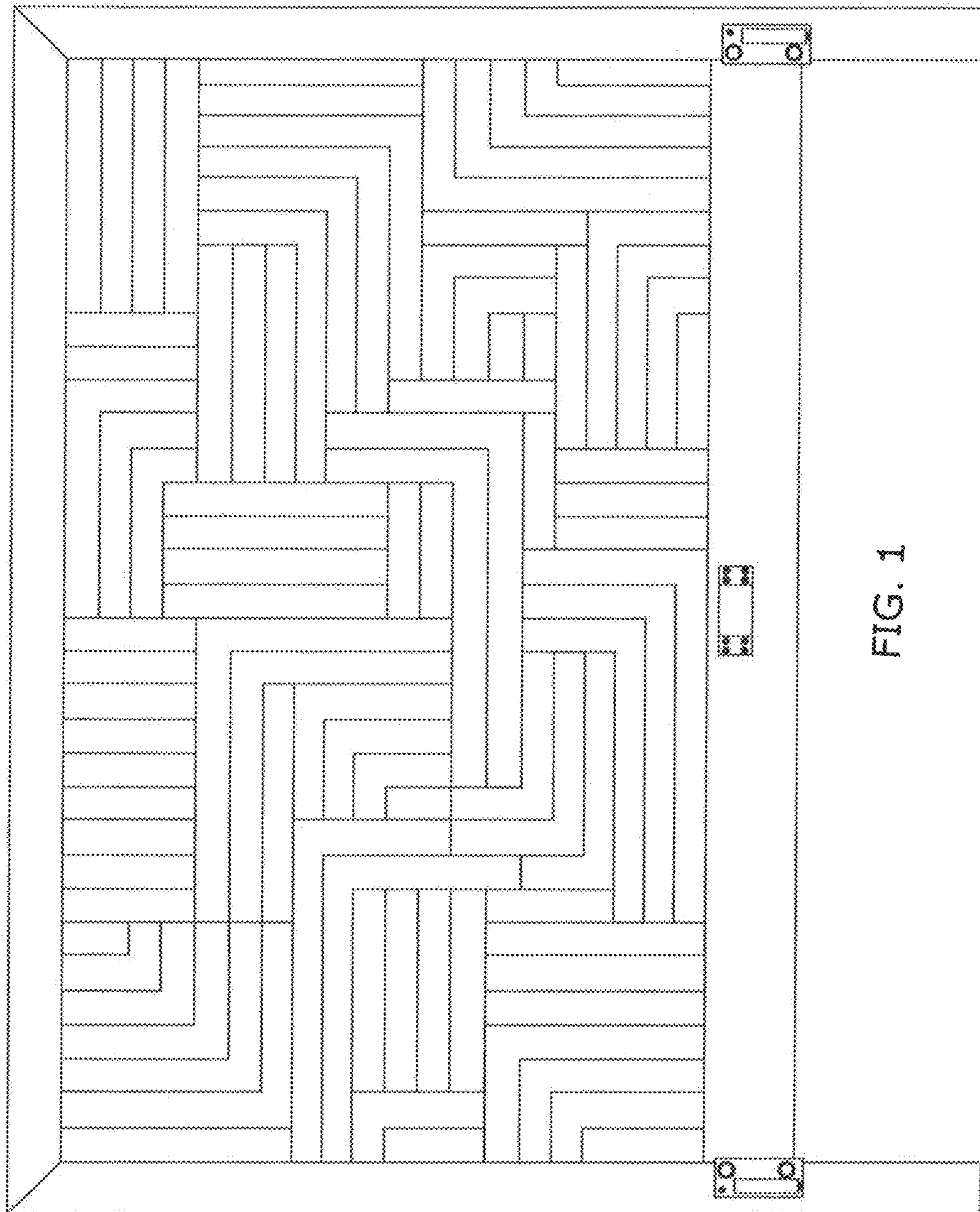


FIG. 1

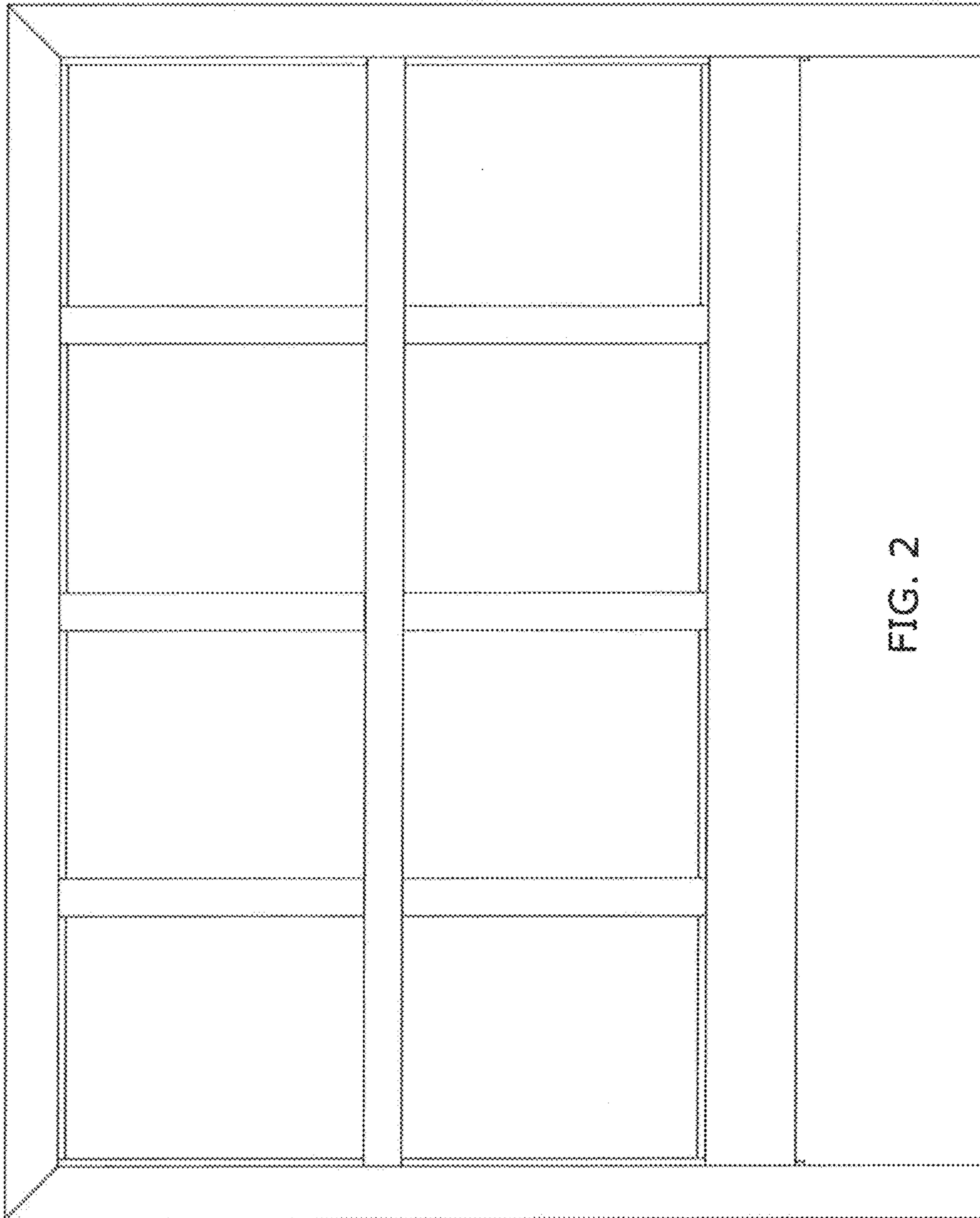


FIG. 2

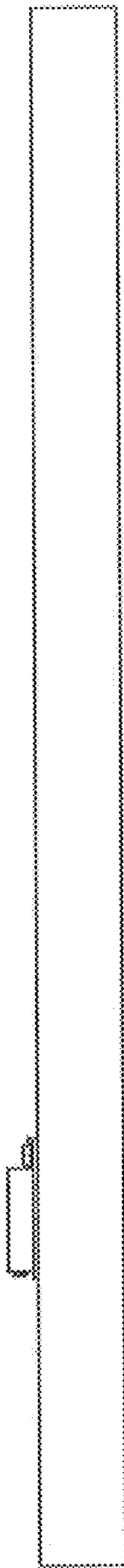


FIG. 3



FIG. 4

FIG. 5

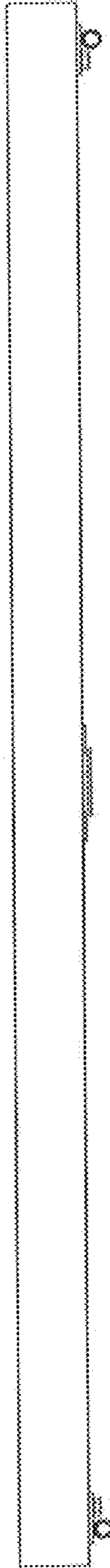
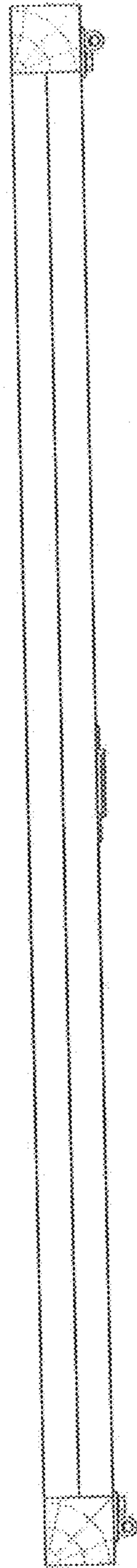


FIG. 6



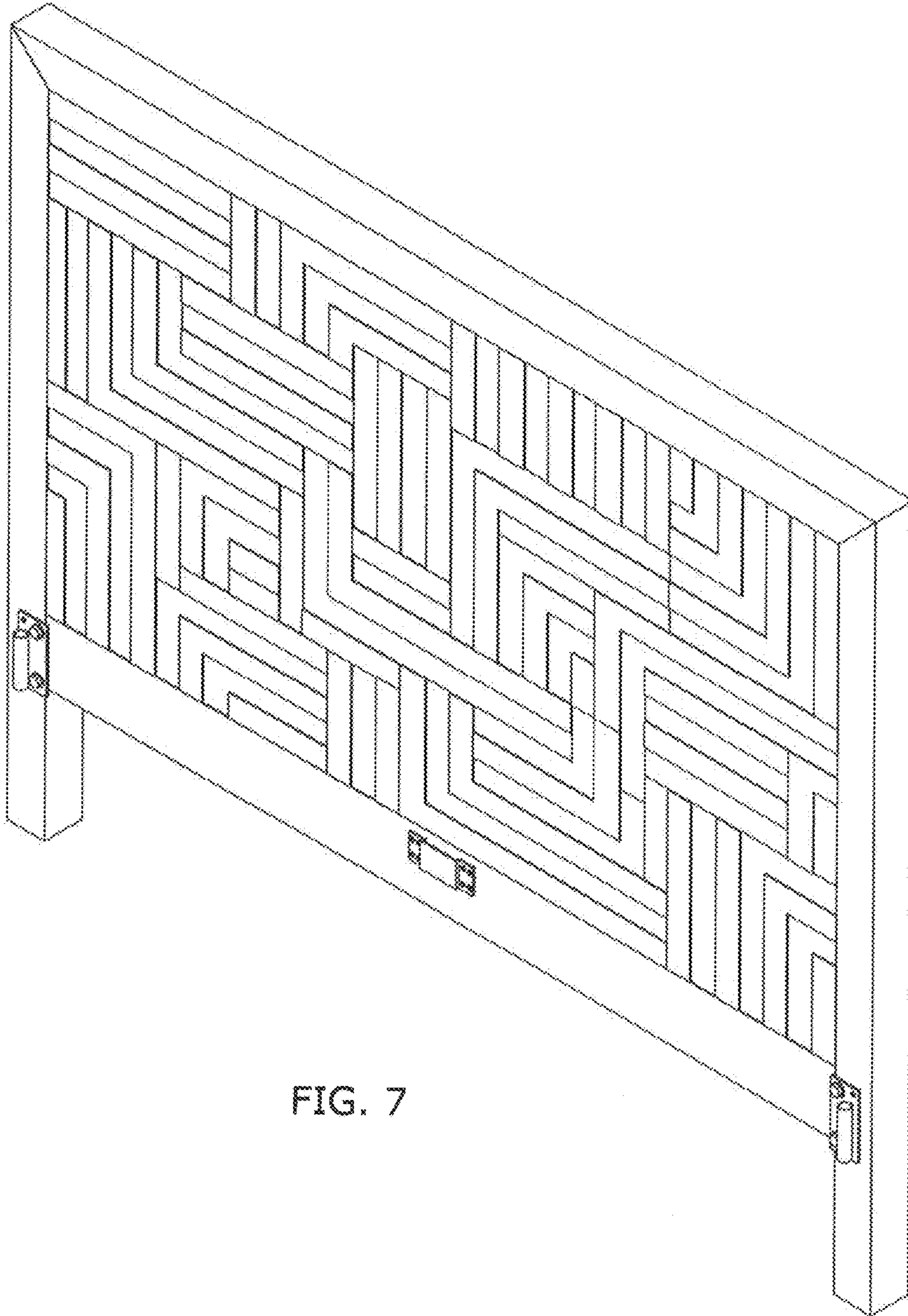


FIG. 7



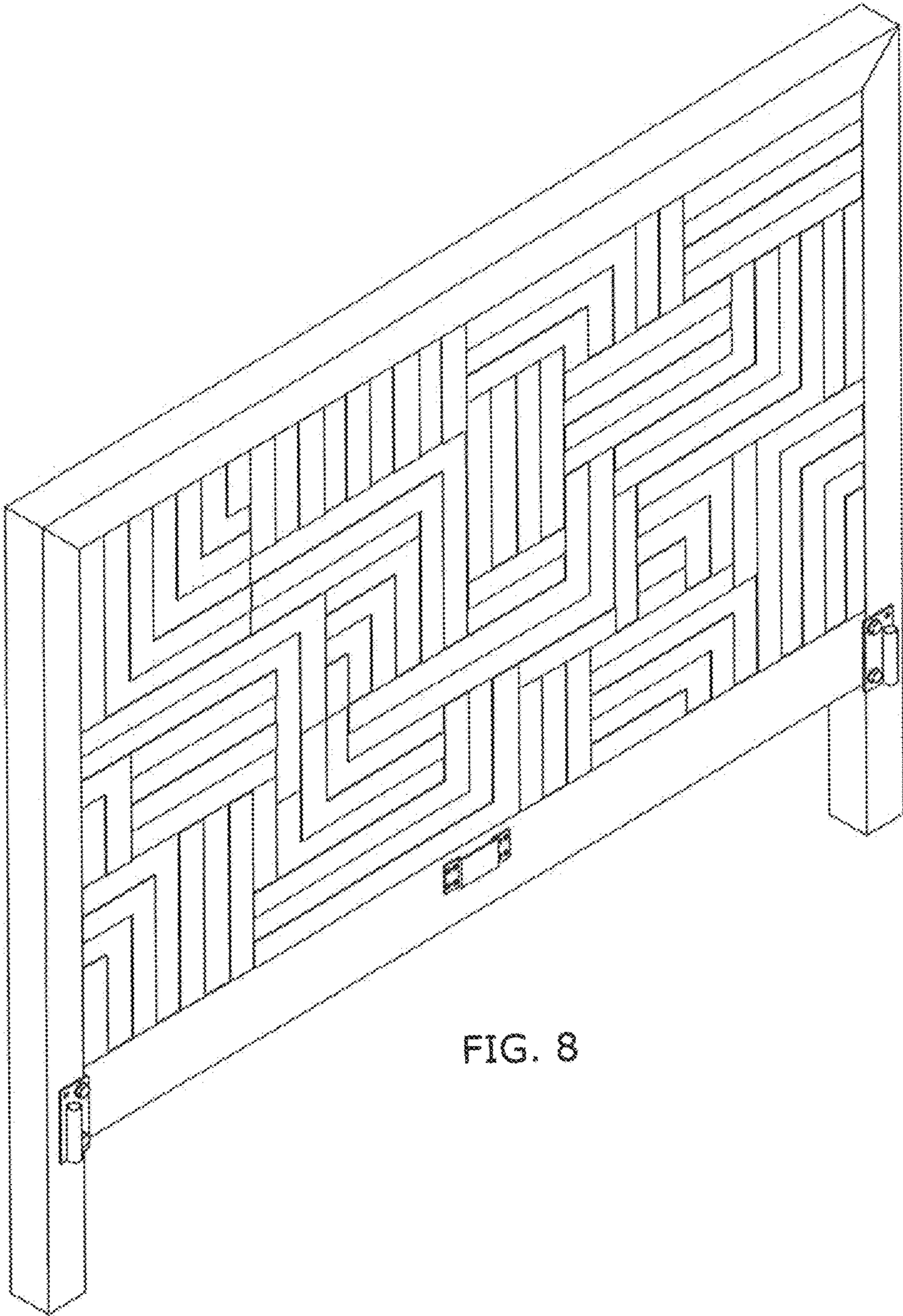


FIG. 8

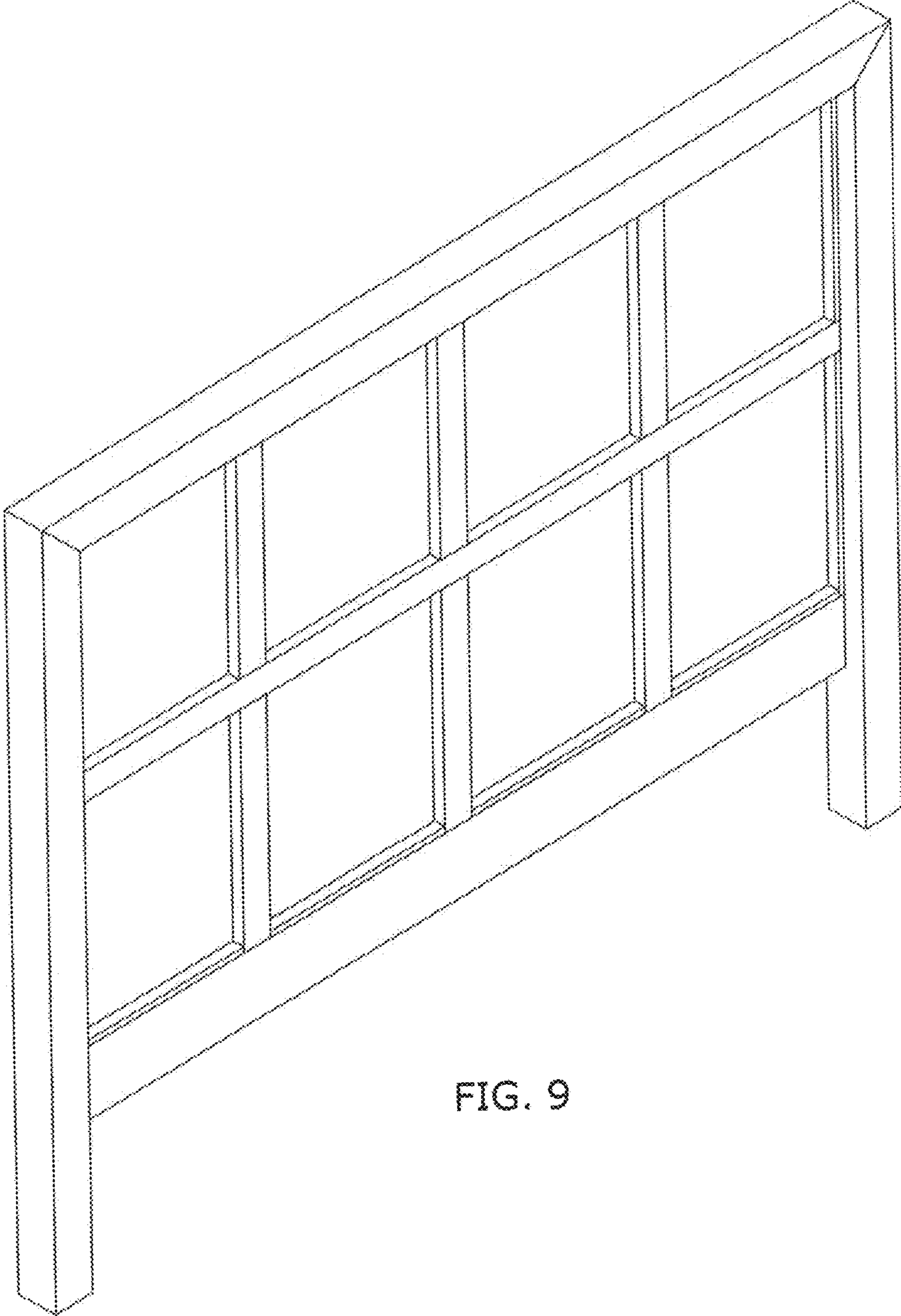


FIG. 9

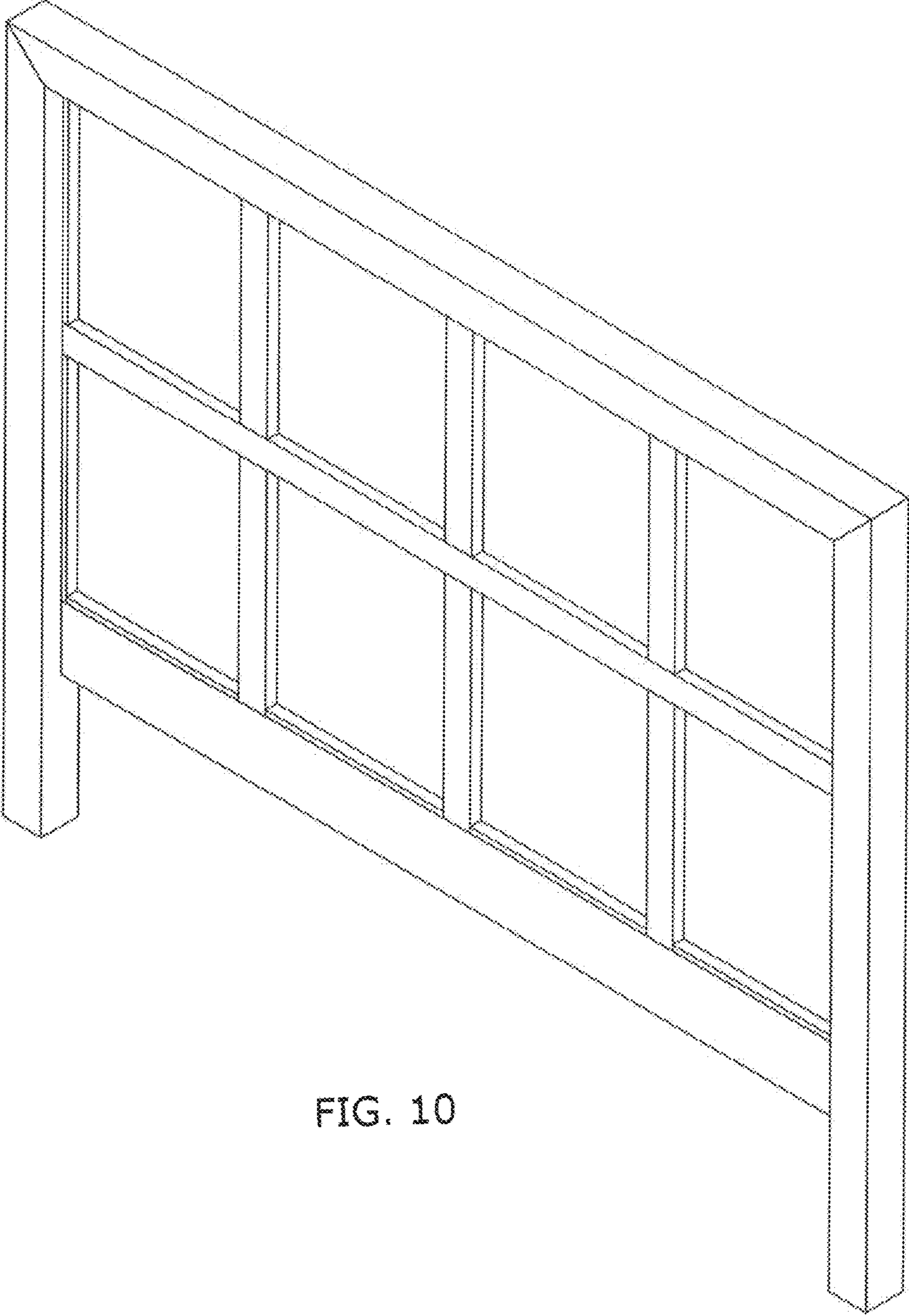


FIG. 10