



US00D812399S

(12) **United States Design Patent**  
**Gharabegian**

(10) **Patent No.:** **US D812,399 S**

(45) **Date of Patent:** **\*\* Mar. 13, 2018**

(54) **TABLE DESIGN**

(71) Applicant: **Eleven23 Marketing, LLC**, Glendale, CA (US)

(72) Inventor: **Armen Sevada Gharabegian**, Glendale, CA (US)

(\*\*) Term: **15 Years**

(21) Appl. No.: **29/612,189**

(22) Filed: **Jul. 28, 2017**

**Related U.S. Application Data**

(62) Division of application No. 29/535,471, filed on Aug. 6, 2015, now Pat. No. Des. 793,781.

(51) **LOC (11) Cl.** ..... **06-04**

(52) **U.S. Cl.**  
USPC ..... **D6/691**; D6/691.7

(58) **Field of Classification Search**  
USPC ..... D6/691.6, 695.8, 696.7, 692, 692.4, D6/692.5, 707.17, 656.13, 688.14, 662.1, D6/675, 691, 691.2, 691.7; 108/155, 156, 108/157.1; 248/188.1  
CPC ..... A47B 7/00; A47B 13/00; A47B 13/10; A47B 13/02; A47B 13/12; A47B 2012/11; A47B 2200/0003

See application file for complete search history.

(56) **References Cited**

**U.S. PATENT DOCUMENTS**

- 2,635,023 A \* 4/1953 Frye ..... A47B 13/02  
108/12
- 2,796,307 A \* 6/1957 Knoll ..... A47B 13/02  
248/163.1
- 3,731,639 A \* 5/1973 Schliemann ..... A47B 3/12  
108/157.17
- D288,880 S \* 3/1987 Favaretto ..... D6/691
- D298,195 S \* 10/1988 Cionini ..... D6/691
- D310,755 S \* 9/1990 Kirby ..... D24/183

- D332,361 S \* 1/1993 Lewis ..... D6/691
- D460,640 S \* 7/2002 Herron ..... D6/696.7
- D470,341 S \* 2/2003 Muller ..... D6/691
- D470,345 S \* 2/2003 Muller ..... D6/696.7
- D573,373 S \* 7/2008 Brooks ..... D6/691
- D622,983 S \* 9/2010 Juskys ..... D6/691
- D662,730 S \* 7/2012 Villiers ..... D6/692
- D679,522 S \* 4/2013 Hamill ..... D6/692

(Continued)

*Primary Examiner* — Robin V Webster

*Assistant Examiner* — James C Thorn, Sr.

(74) *Attorney, Agent, or Firm* — Mark R Kendrick

(57) **CLAIM**

The ornamental design for a table design, as shown and described herein.

**DESCRIPTION**

FIG. 1 is a bottom plan view of a table design according to the first embodiment of the present invention.

FIG. 2 is a left side plan view of a table design according to FIG. 1. The right side plan view is the same as the left side plan view.

FIG. 3 is a left side plan view of a table design without a top according to FIG. 2. The right side plan view is the same as the left side plan view.

FIG. 4 is a top, front, left side perspective view of a table design according to FIG. 2.

FIG. 5 is a top, front, left perspective view of a table design according to the second embodiment.

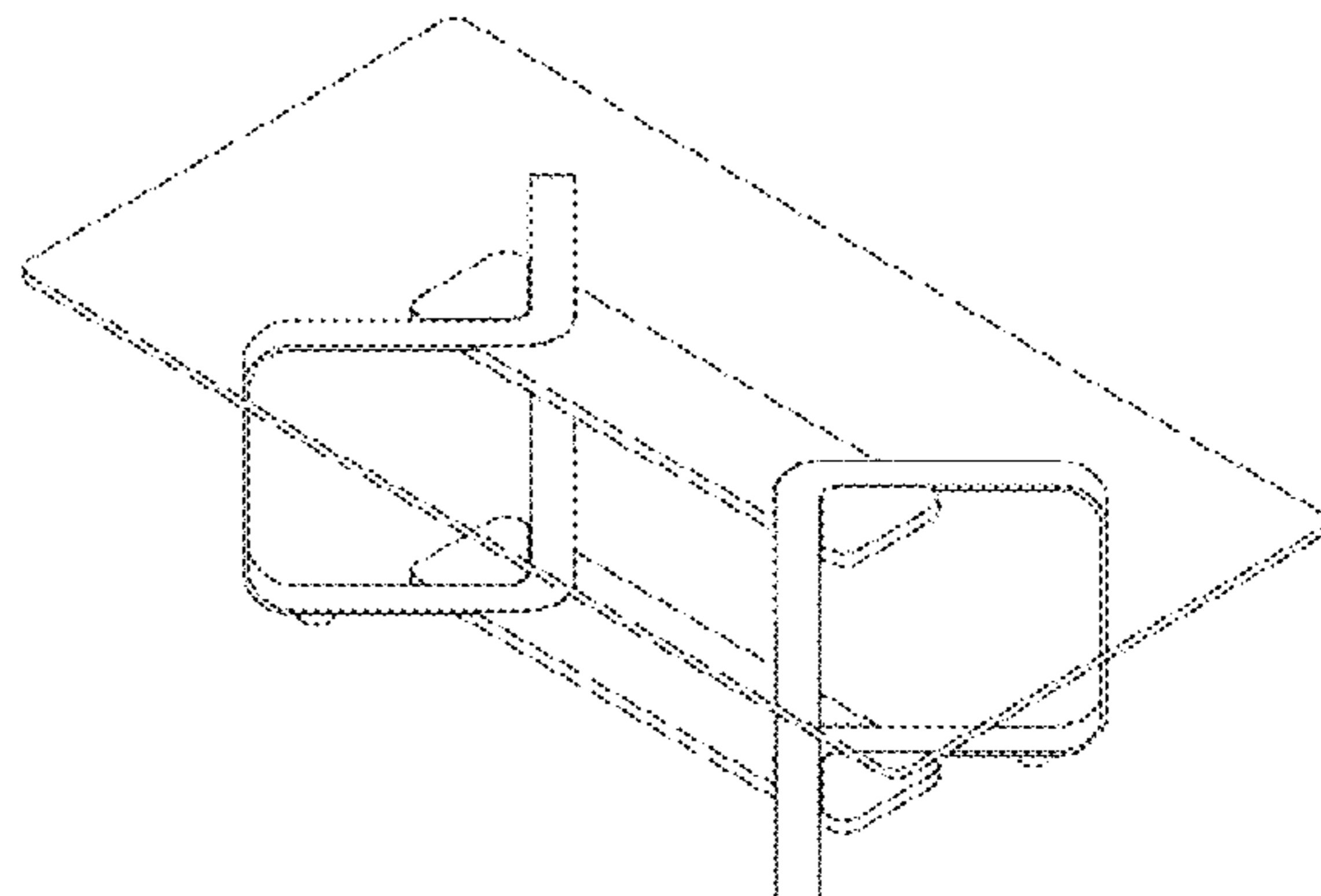
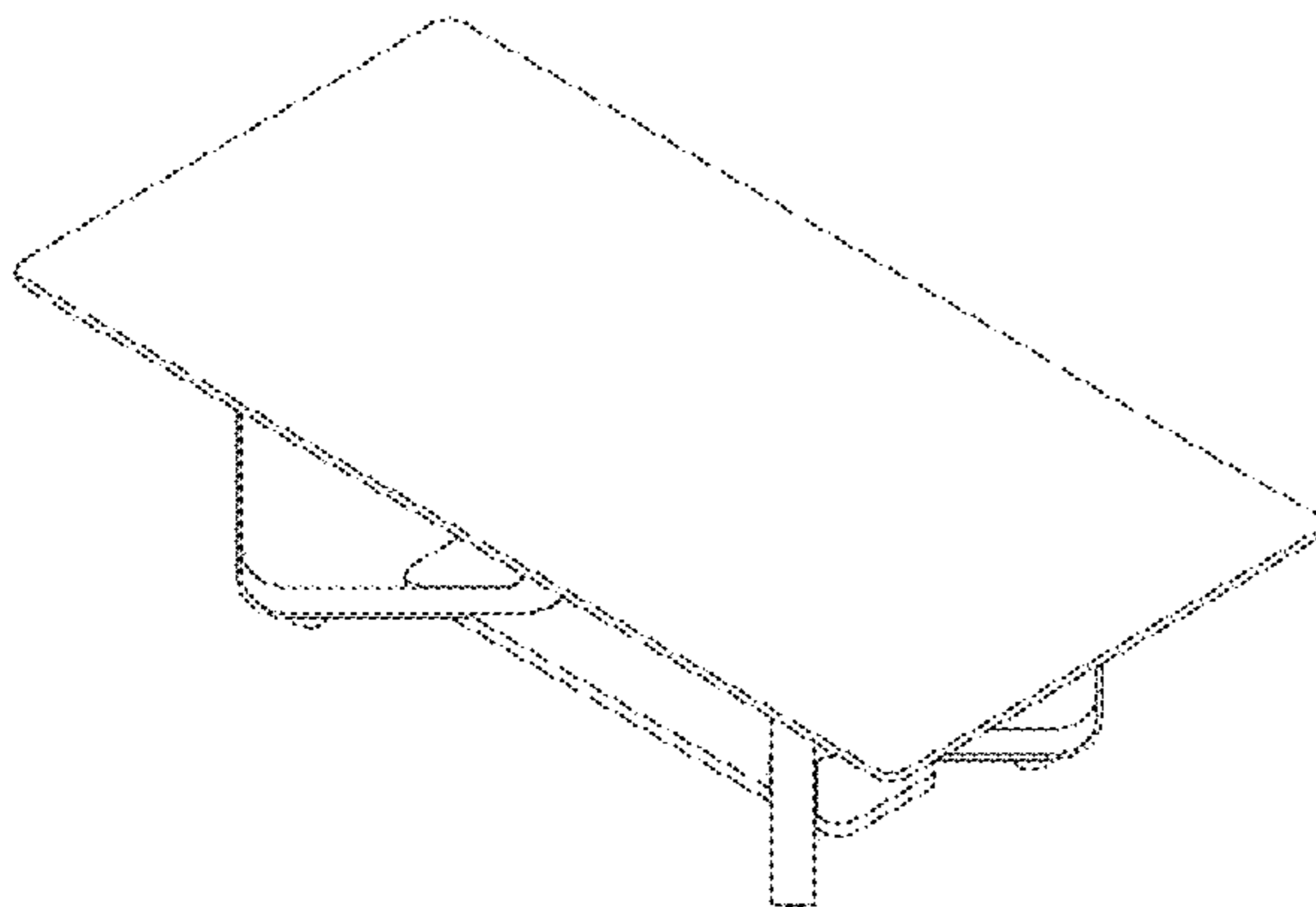
FIG. 6 is a top, front, left side perspective view of a table design without a top according to FIG. 2.

FIG. 7 is a bottom, left, perspective view of a table design according to FIG. 2.

FIG. 8 is a front plan view of a table design according to FIG. 2. The back plan view of the table design is the same as the front plan view; and,

FIG. 9 is a top plan view of a table design according to FIG. 2.

**1 Claim, 9 Drawing Sheets**



(56)

**References Cited**

U.S. PATENT DOCUMENTS

8,418,982 B1 *	4/2013	Vatus .....	A47B 13/02 108/158.12
D685,595 S *	7/2013	Hendrick .....	D6/691
D729,557 S *	5/2015	Jiang .....	D6/691
D772,622 S *	11/2016	Young .....	D6/691
D785,385 S *	5/2017	Traeger .....	D6/692
D793,781 S *	8/2017	Gharabegian .....	D6/691
2002/0096609 A1 *	7/2002	Venegas, Jr. ....	A47B 13/02 248/188.1

\* cited by examiner

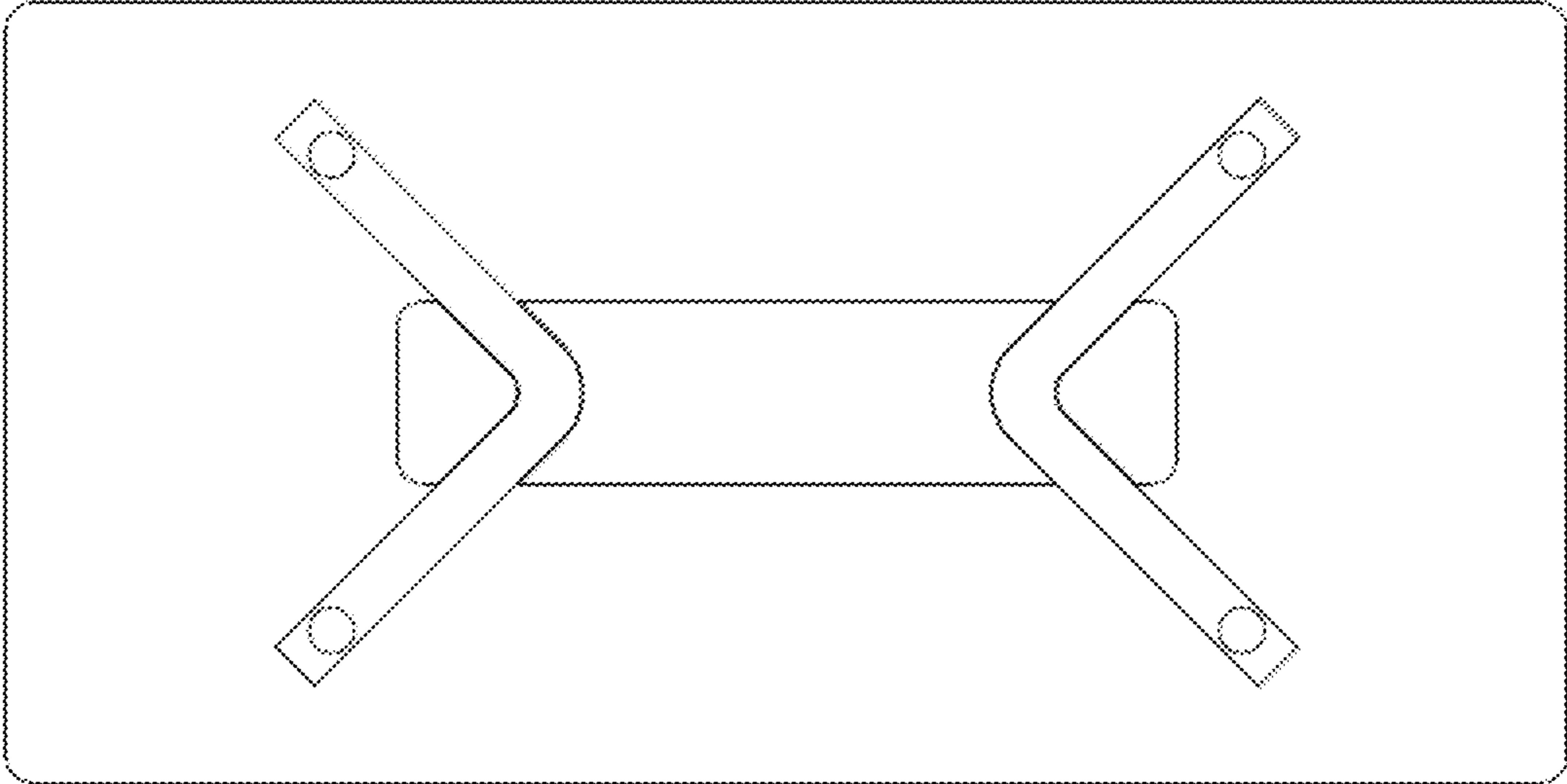


Fig. 1

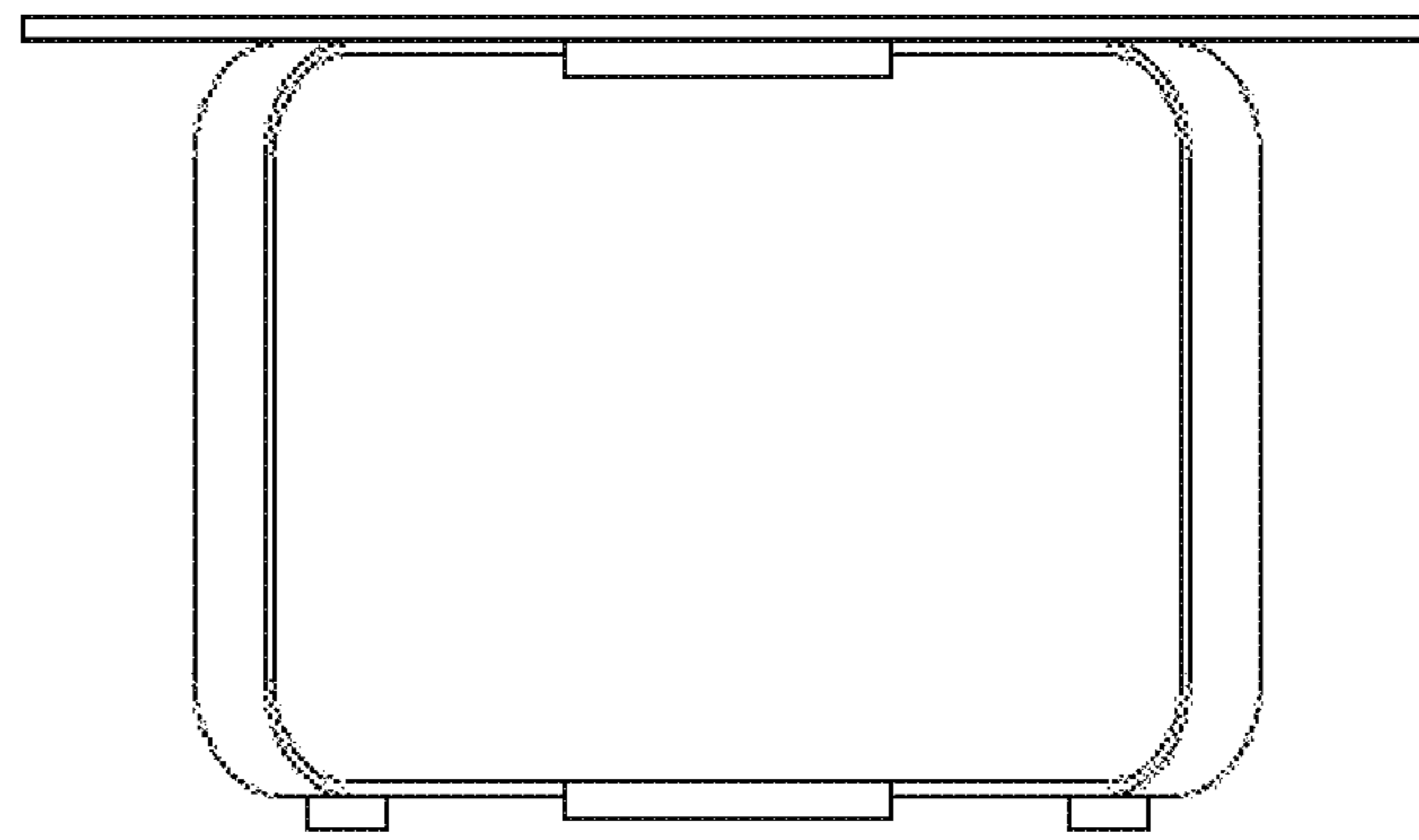


Fig. 2

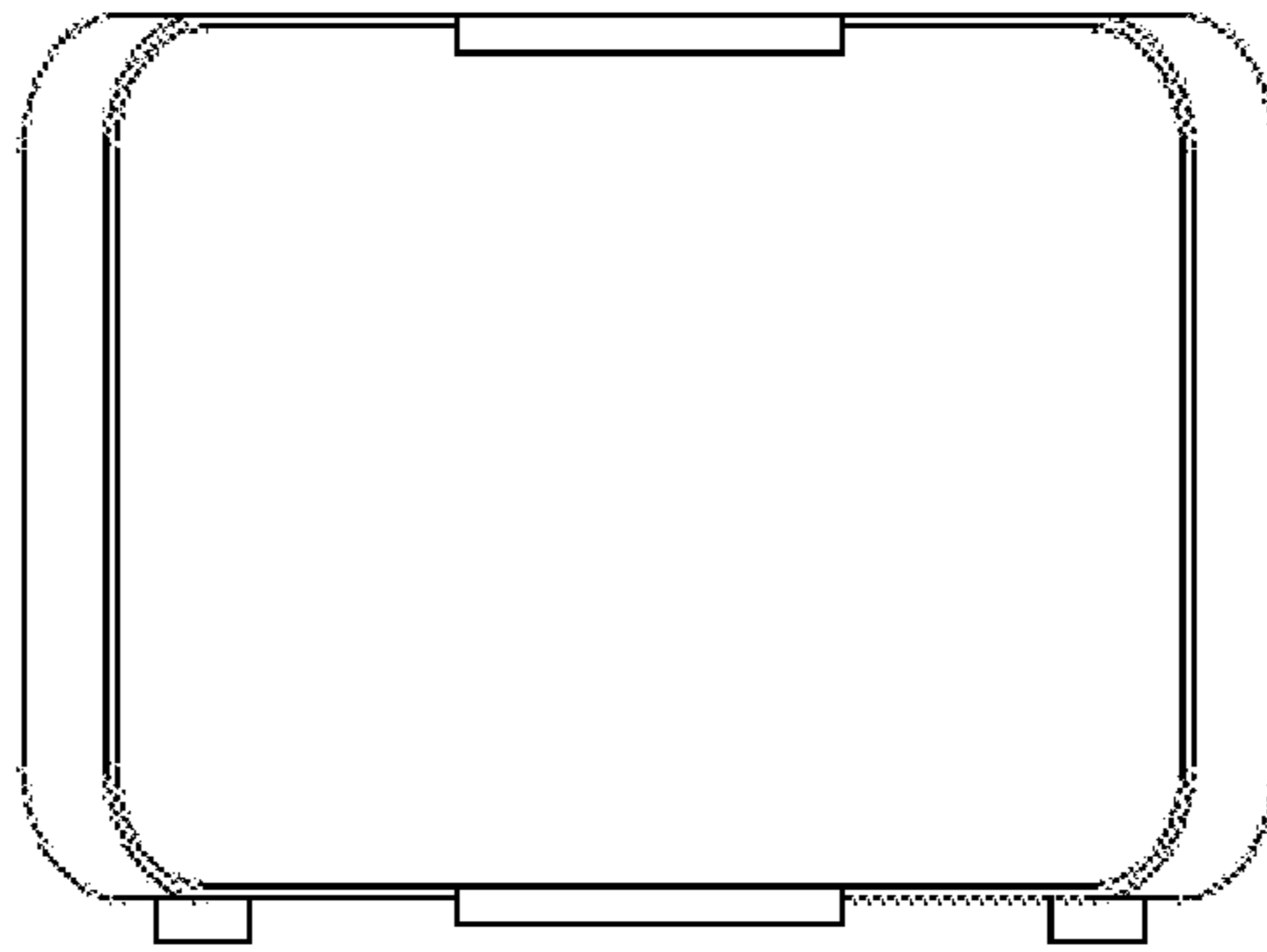


Fig. 3

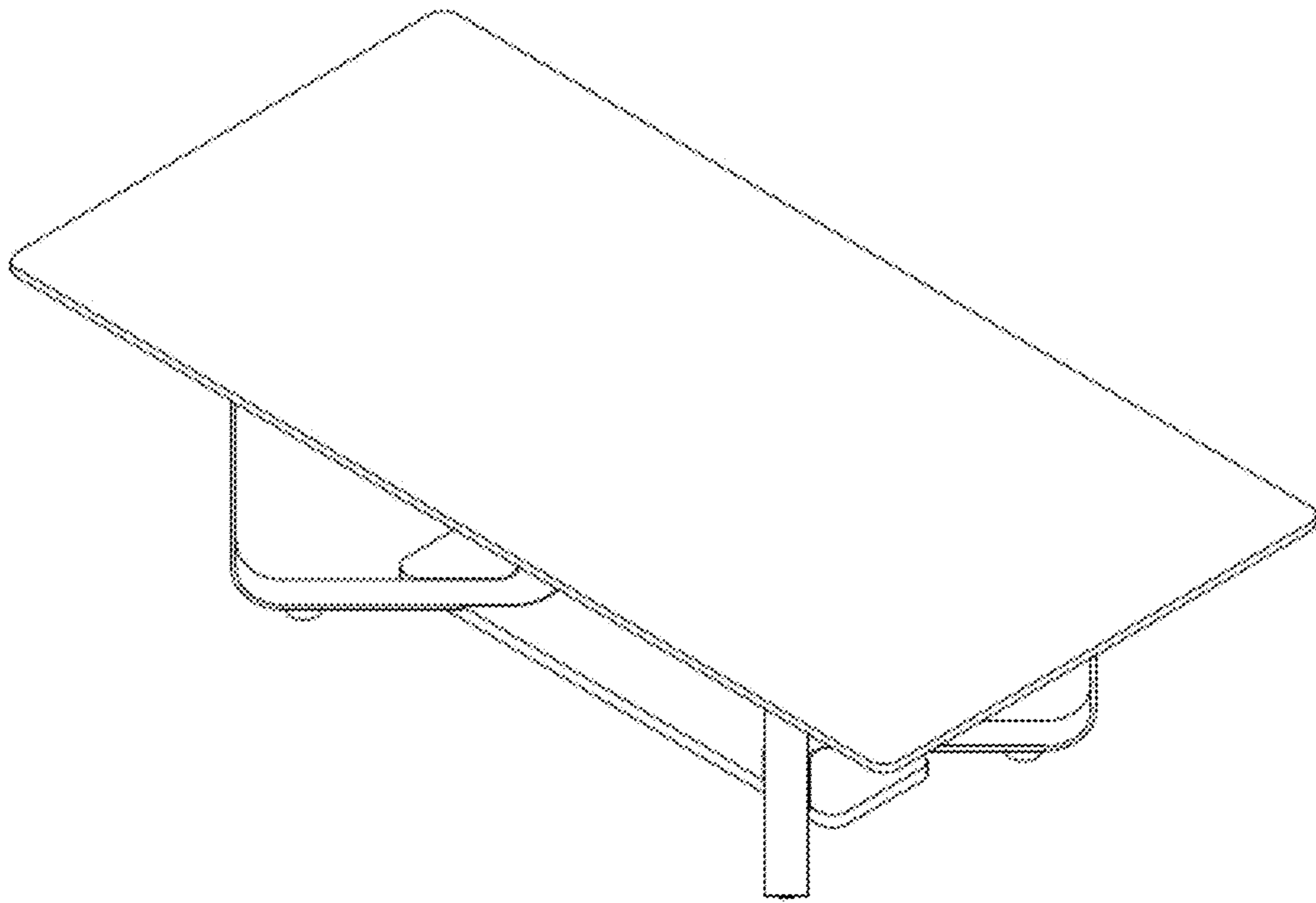


Fig. 4

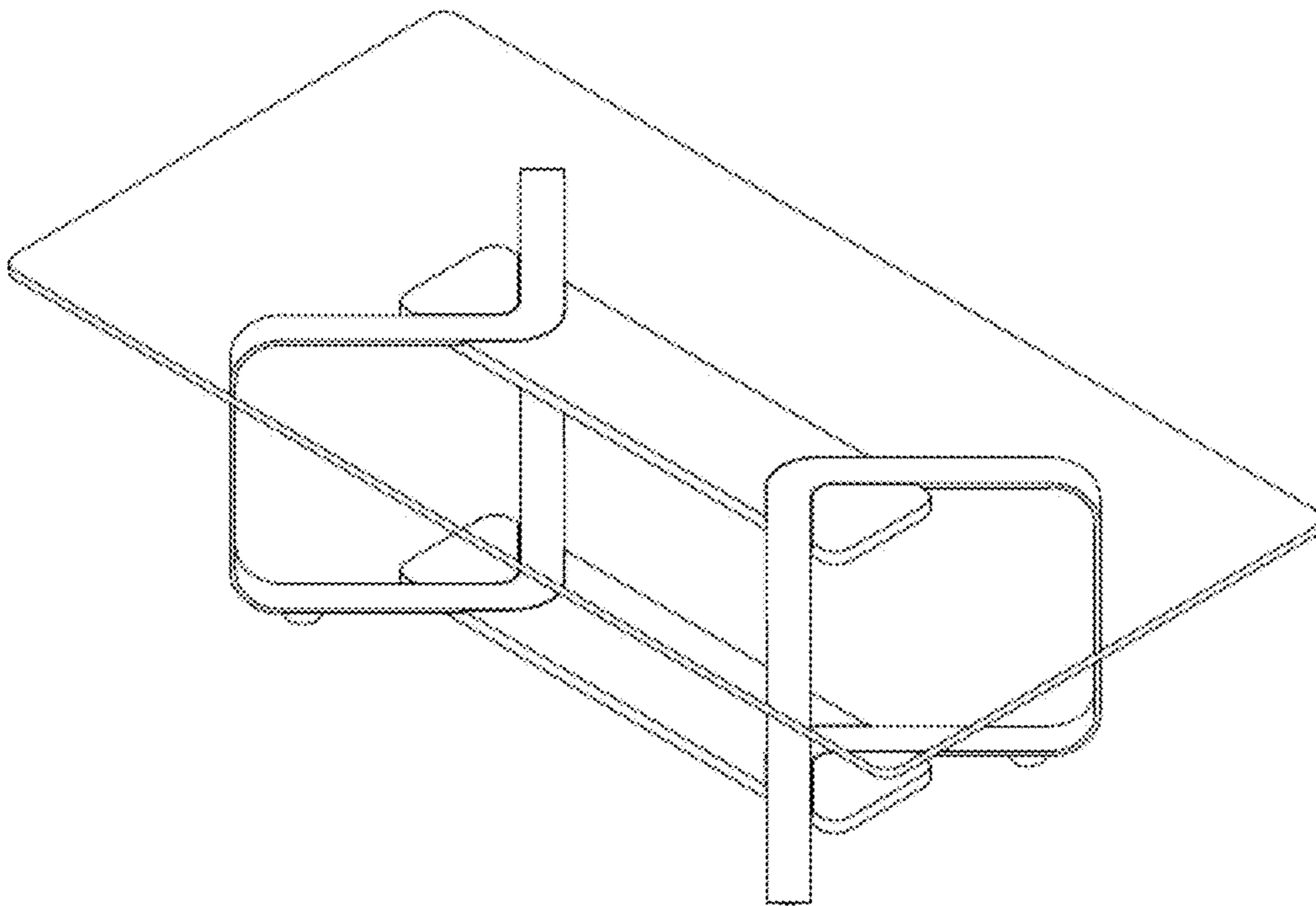


Fig. 5

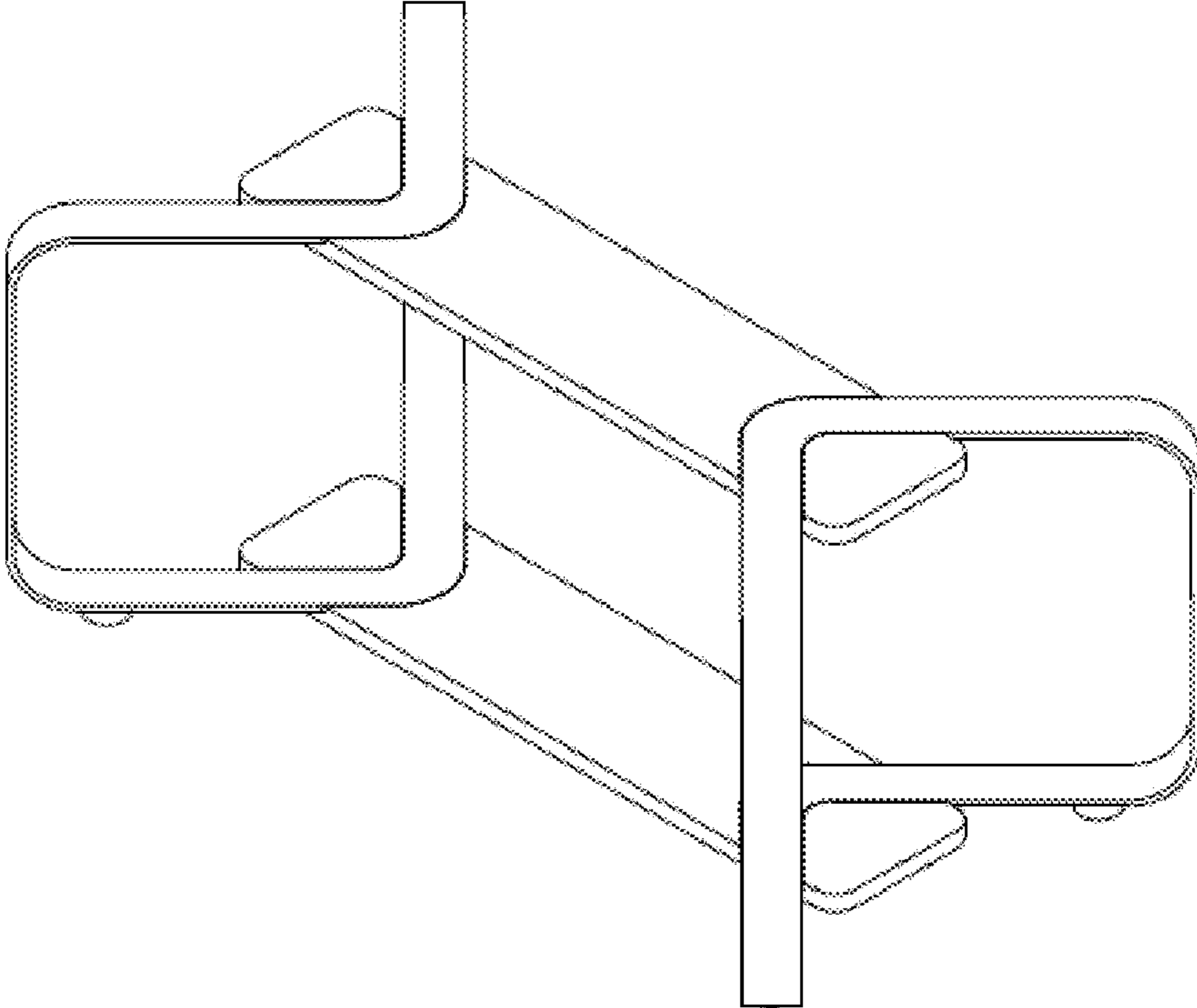


Fig. 6



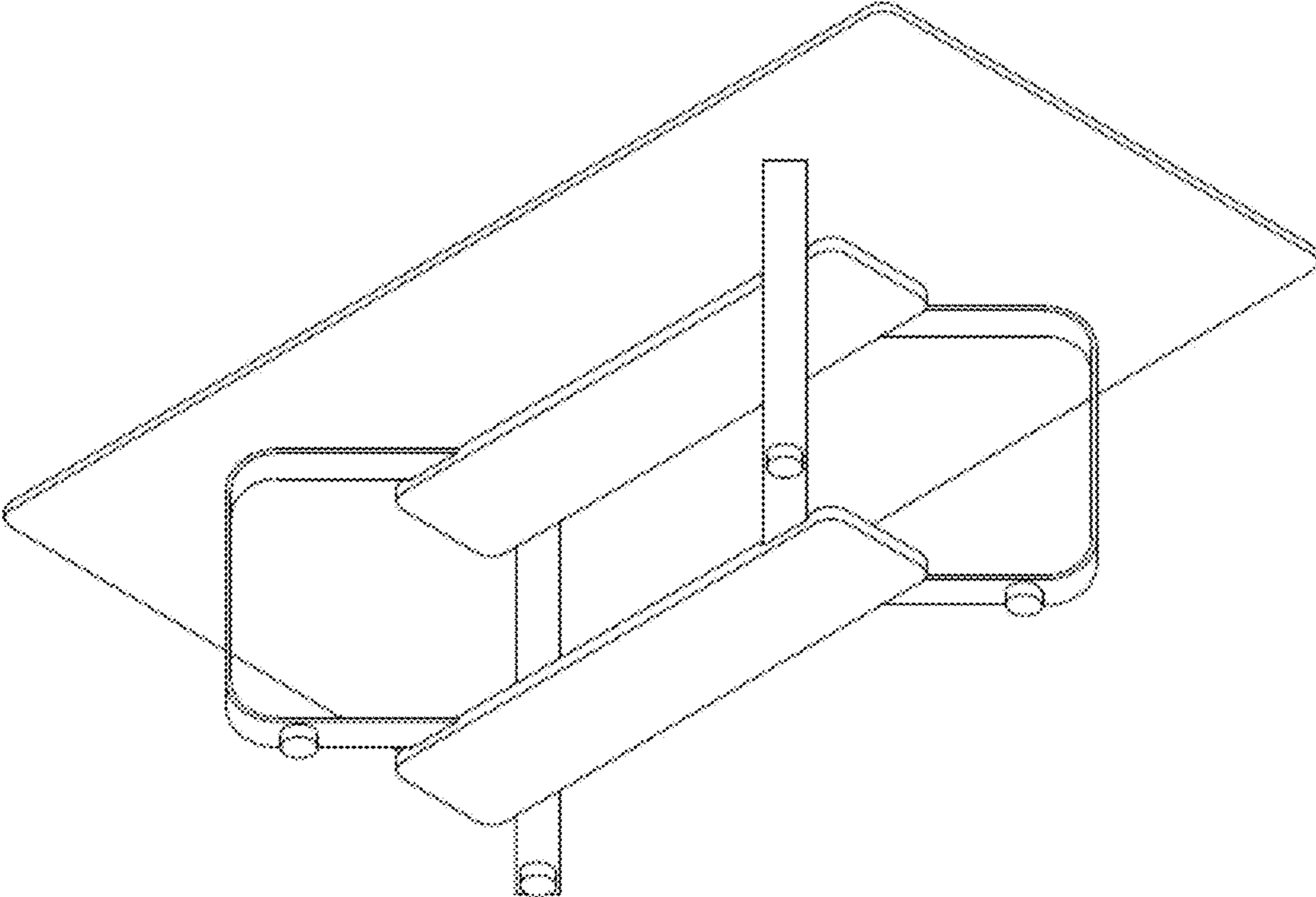


Fig. 7

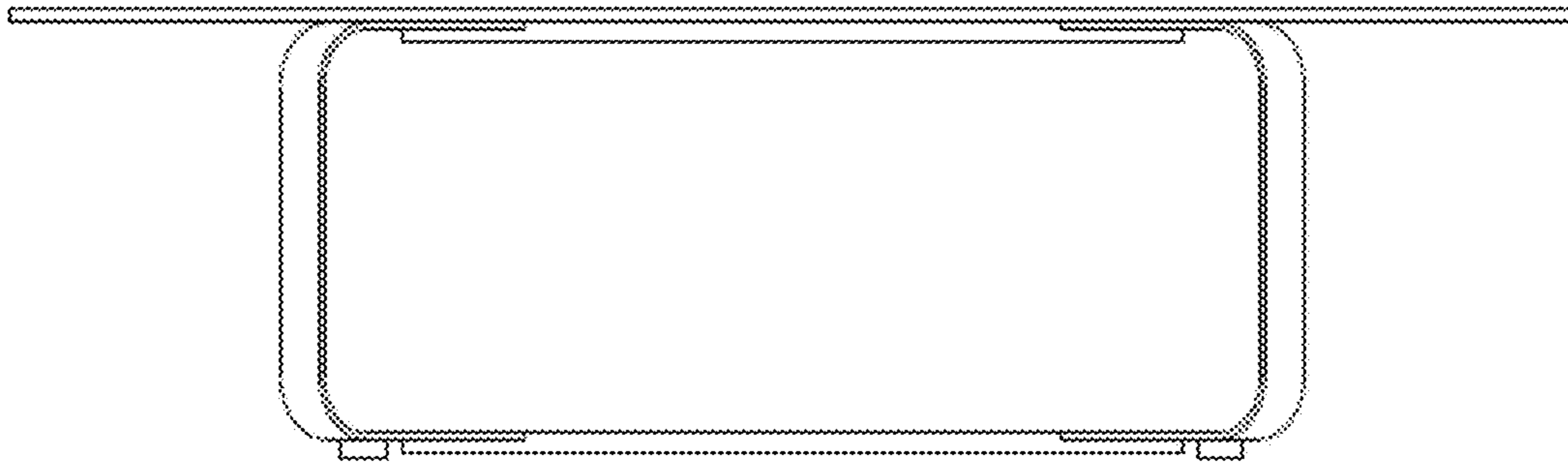


Fig. 8



Fig. 9