



US00D812398S

(12) **United States Design Patent**
Mendini et al.

(10) **Patent No.:** **US D812,398 S**
(45) **Date of Patent:** **** Mar. 13, 2018**

- (54) **CLOTHES RACK**
- (71) Applicant: **Caimi Brevetti S.p.A.**, Nova Milanese (MB) (IT)
- (72) Inventors: **Alessandro Francesco Mendini**, Milan (IT); **Francesco Luigi Maria Mendini**, Milan (IT)
- (73) Assignee: **Caimi Brevetti S.p.A.**, Nova Milanese (MB) (IT)
- (**) Term: **15 Years**
- (21) Appl. No.: **29/580,047**
- (22) Filed: **Oct. 5, 2016**

D332,311 S *	1/1993	Redding	D24/128
D339,249 S *	9/1993	Wu	D6/681.1
D347,532 S *	6/1994	Doran	D6/681.1
D379,878 S *	6/1997	Vassallo	D6/681.1
D387,216 S *	12/1997	Stone	D6/403
D391,419 S *	3/1998	Walters	D6/404
5,947,306 A *	9/1999	Chang	A47G 7/041
				211/133.4
D469,975 S *	2/2003	Sparkowski	D6/681.1
D534,012 S *	12/2006	Lee, Sr.	D6/681.1
D595,518 S *	7/2009	Zapanta	D6/681.1
D601,817 S *	10/2009	Barbieri	D6/327
D625,120 S *	10/2010	Wisniewski	D6/681.3
D630,451 S *	1/2011	Cute	D6/405
D639,087 S *	6/2011	Wisniewski	D6/681.3
D664,788 S *	8/2012	Baylon	D6/681.1
D699,486 S *	2/2014	Huang	D6/681.3
D721,900 S *	2/2015	Hildebrant	D6/405
D722,796 S *	2/2015	Lievore	D6/681.1
D779,241 S *	2/2017	Terada	D6/315

(Continued)

(30) **Foreign Application Priority Data**

Apr. 7, 2016 (EM) 003058965

(51) **LOC (11) Cl.** **06-04**

(52) **U.S. Cl.**
USPC **D6/681.1**

(58) **Field of Classification Search**
USPC D6/315, 672, 681, 681.1, 681.3
CPC A47G 25/00; A47G 25/06; A47G 25/0664;
A47G 25/0685; A47G 25/10; A47F 5/00;
A47F 5/05; A47F 7/19; A47F 7/24
See application file for complete search history.

(56) **References Cited**

U.S. PATENT DOCUMENTS

D40,413 S *	12/1909	Wilson	D6/681.1
D78,823 S *	6/1929	Konikoff	D11/164
D89,214 S *	2/1933	Schwab	D6/681.1
D171,659 S *	3/1954	Neagle	D6/681.1
D241,790 S *	10/1976	Longen	D6/681.1
D255,292 S *	6/1980	Gibson	D6/681.1
D301,094 S *	5/1989	Muxlow	D6/681.1
D326,573 S *	6/1992	Crawford	D6/681.3

Primary Examiner — John Windmuller

Assistant Examiner — Steven Czyz

(74) *Attorney, Agent, or Firm* — Patti & Malvone Law Group, LLC

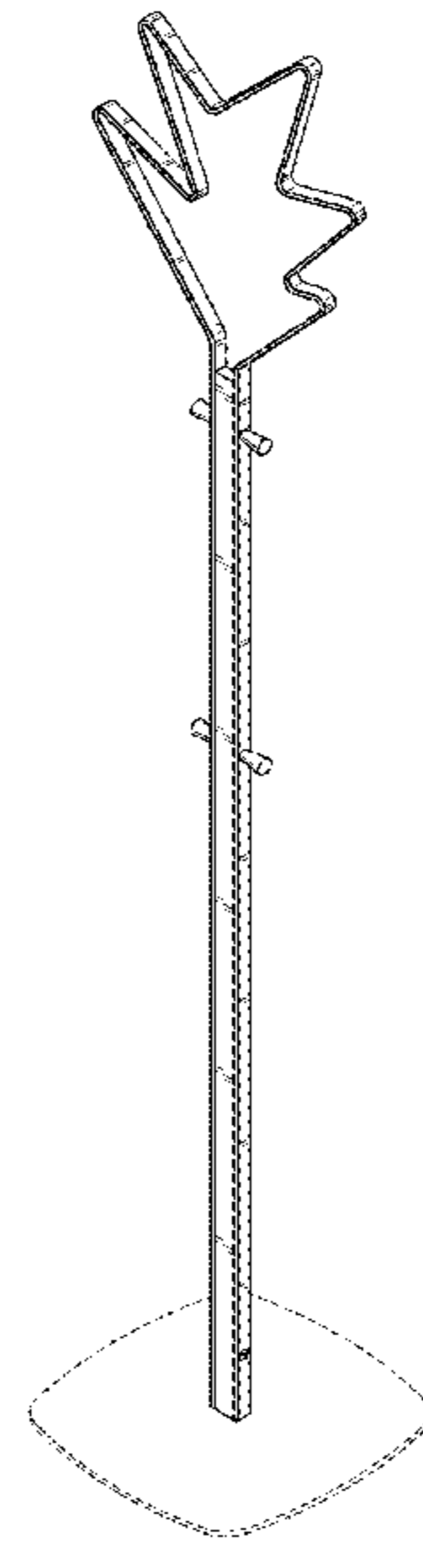
(57) **CLAIM**

The ornamental design for a clothes rack, as shown and described.

DESCRIPTION

FIG. 1 is a front-right perspective view of a clothes rack; FIG. 2 is a left side view; FIG. 3 is a front view; FIG. 4 is a right side view; FIG. 5 is a rear view; FIG. 6 is a top view; and, FIG. 7 is a bottom view. The broken lines depict portions of the article that form no part of the claimed design.

1 Claim, 4 Drawing Sheets



(56)

References Cited

U.S. PATENT DOCUMENTS

D793,131 S * 8/2017 Gazit D6/681.1
2006/0284032 A1* 12/2006 Gliatis A47G 25/0664
248/127
2012/0055893 A1* 3/2012 Wisniewski A47G 25/0664
211/85.3

* cited by examiner

Fig. 1

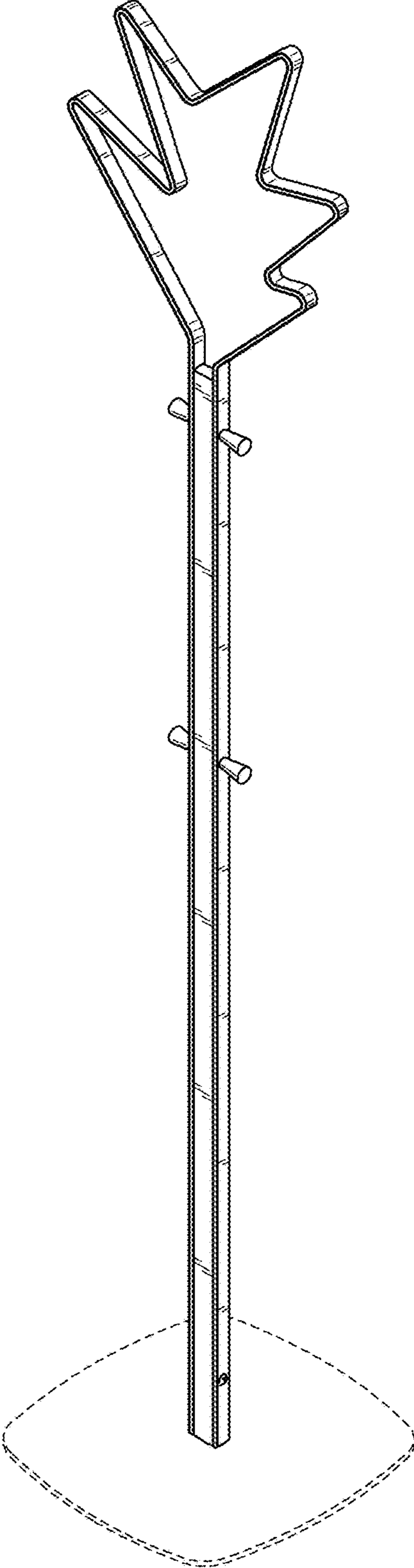


Fig. 2

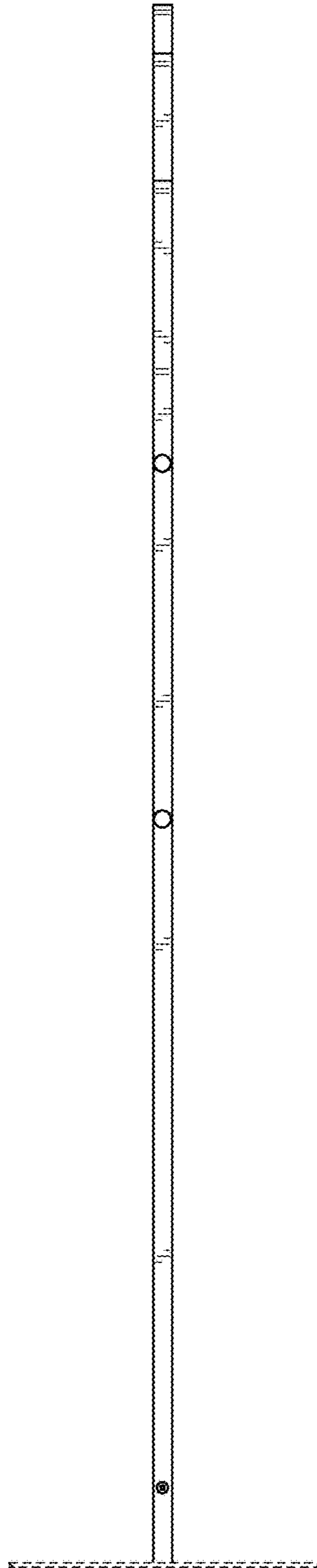


Fig. 3

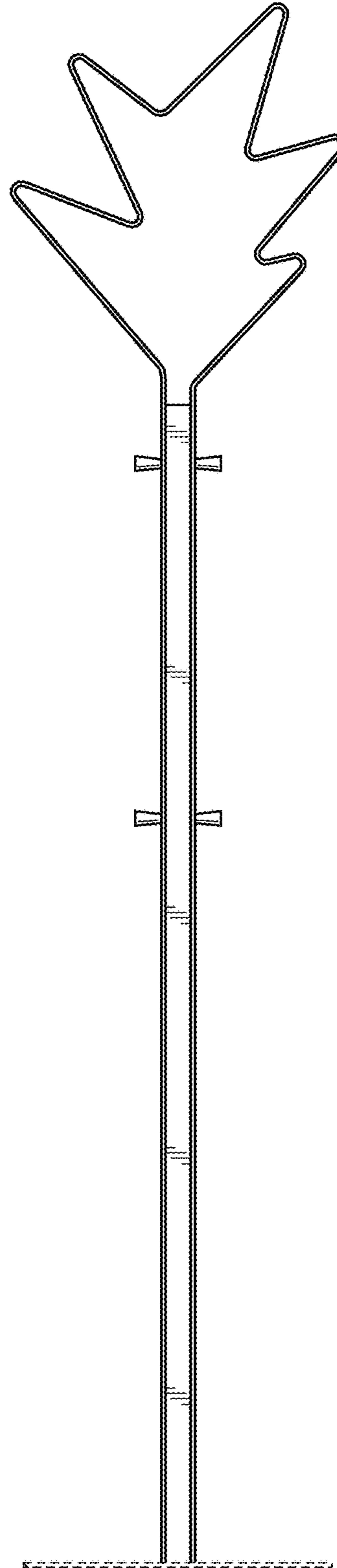


Fig. 4

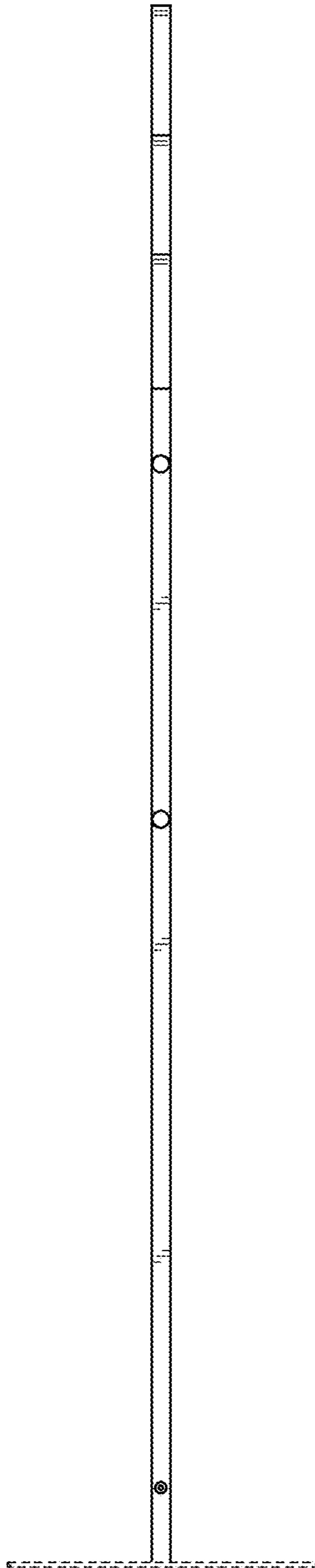


Fig. 5

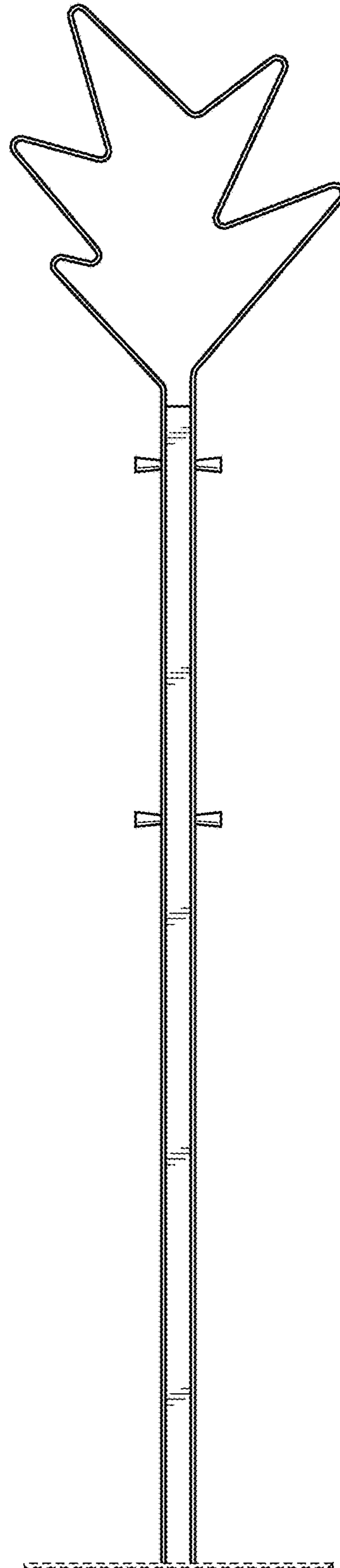


Fig. 6

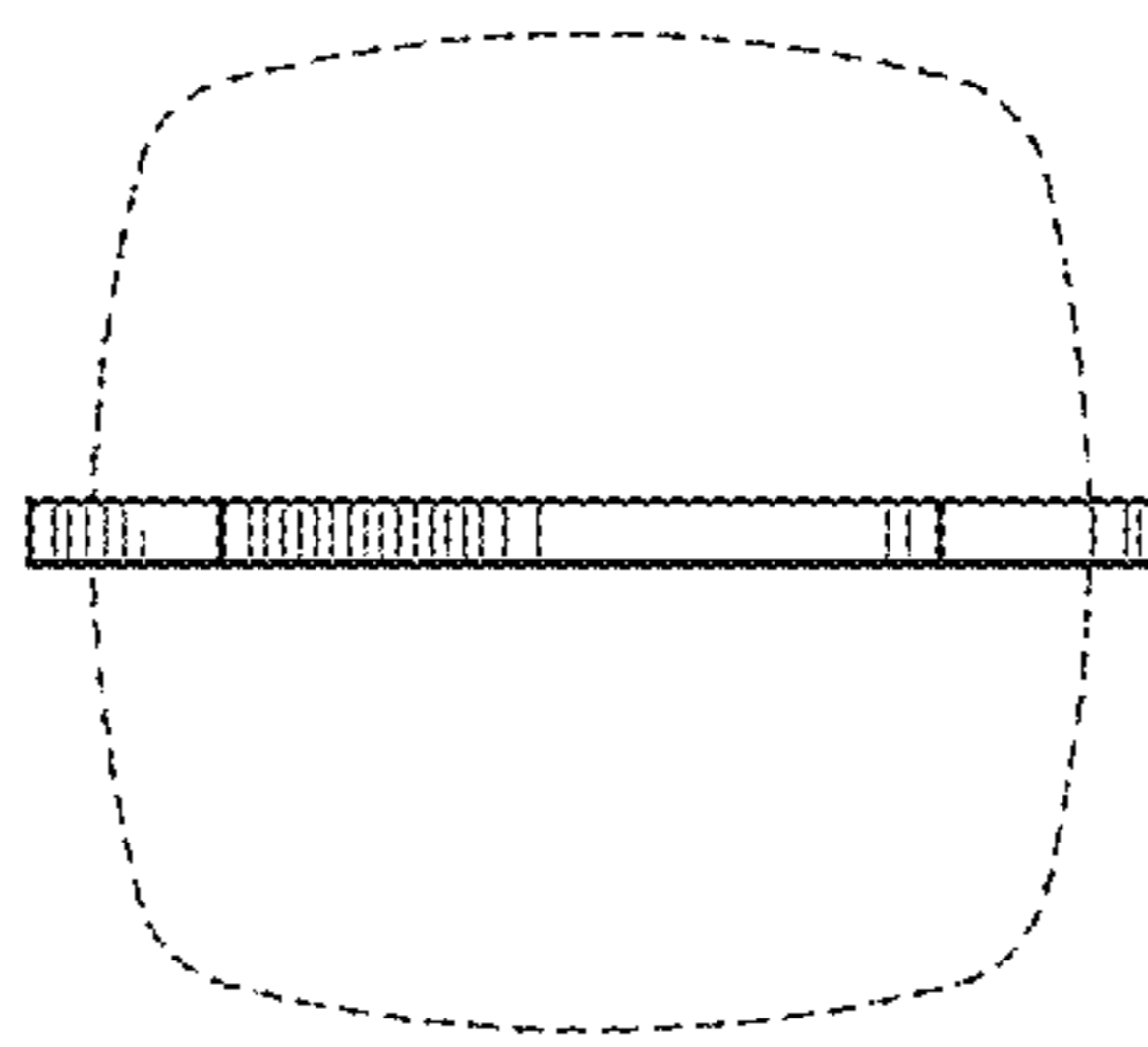


Fig. 7

