



US00D812396S

(12) **United States Design Patent** (10) **Patent No.:** **US D812,396 S**
Wilson et al. (45) **Date of Patent:** **** Mar. 13, 2018**

- (54) **BASKET WITH PAPER TOWEL HOLDER**
 - (71) Applicant: **Spectrum Diversified Designs, LLC**,
Streetsboro, OH (US)
 - (72) Inventors: **Courtney Wilson**, Chardon, OH (US);
Aaron D. Goodman, Beachwood, OH (US)
 - (73) Assignee: **Spectrum Diversified Designs LLC**,
Streetsboro, OH (US)
 - (**) Term: **15 Years**
 - (21) Appl. No.: **29/596,727**
 - (22) Filed: **Mar. 10, 2017**
 - (51) **LOC (11) Cl.** **06-04**
 - (52) **U.S. Cl.**
USPC **D6/566**; D6/518; D6/527
 - (58) **Field of Classification Search**
USPC D6/566, 553, 546-550, 512-525;
211/13.1, 16, 85.5, 86.01, 87.01, 88.04,
211/100, 105.1, 105.2, 106, 113, 123,
211/181.1, 182-183; 248/49, 175, 176.1,
248/200, 201, 205.1, 251, 302, 309.1,
248/315; 108/28-29; 242/570, 590,
242/595-598; D8/300, 315-321, 354,
D8/363, 373, 380; D25/45; D26/51;
D3/304, 306
CPC .. A47F 5/01; A47F 7/00; A47F 7/0028; A47F
5/0006; A47F 5/0823; A47F 1/082; A47F
1/121; A47F 5/02; A47F 5/0846; A47F
5/137; A47F 7/0064; A47F 7/065; A47F
3/0404; A47F 5/0018; A47F 5/0025;
A47F 5/0037; A47B 55/02; A47B 81/00;
A47B 81/007; A47B 13/14; A47B
2097/003; A47B 2200/0008; A47B 45/00;
A47B 49/00; A47B 57/00; A47B 57/04;
A47B 63/00; A47B 67/00; A47B 81/04;
A47B 96/021; A47B 96/065
- See application file for complete search history.

- (56) **References Cited**
U.S. PATENT DOCUMENTS
D322,002 S 12/1991 Emery
D342,854 S * 1/1994 Pentz D6/552
D415,915 S * 11/1999 Camilleri D6/513
D449,480 S * 10/2001 Snell D6/525
6,497,331 B1 12/2002 Morandi
D554,417 S * 11/2007 Thorsteinsson D6/566
(Continued)

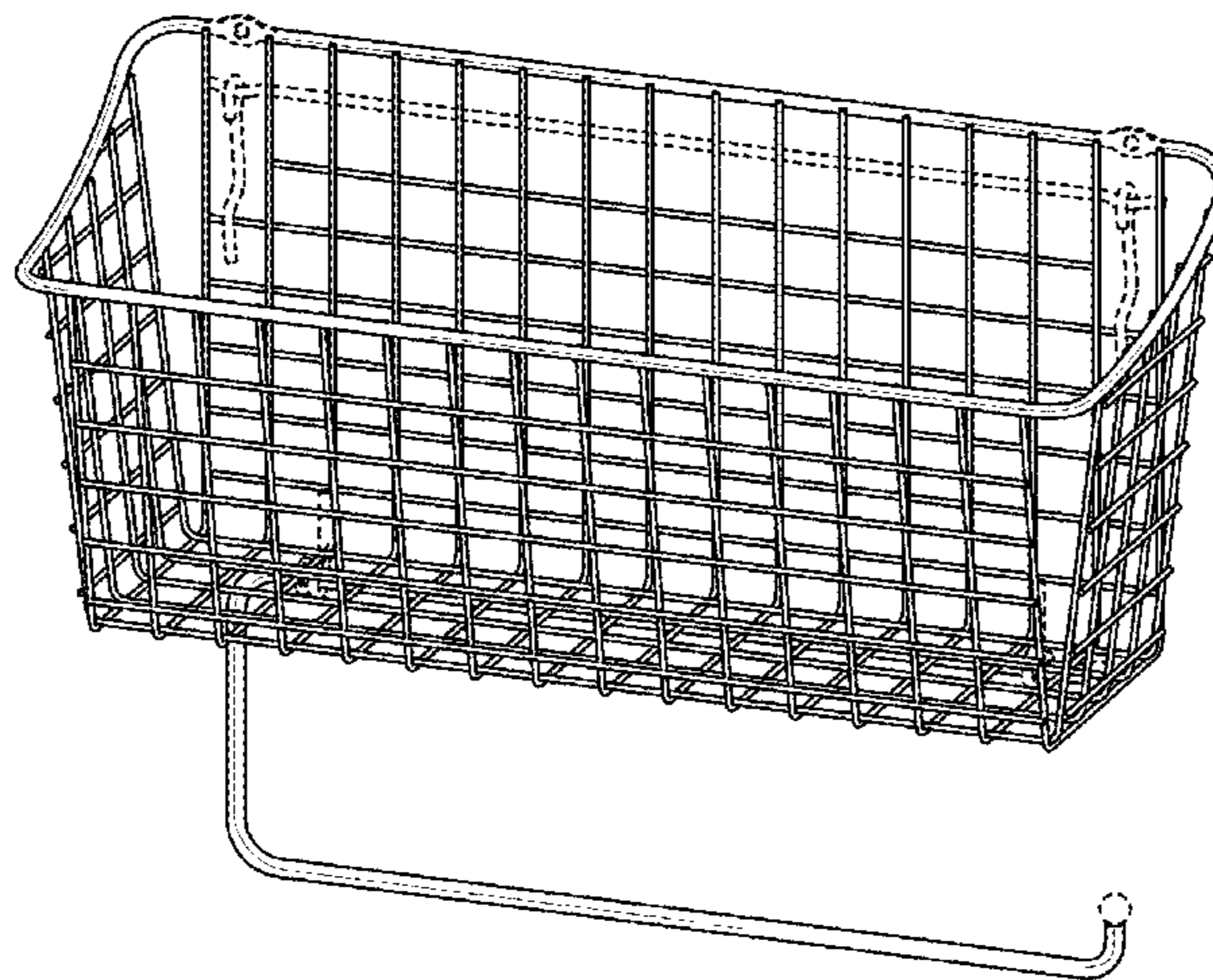
OTHER PUBLICATIONS
Spectrum Diversified website, Pegboard Basket with Paper Towel Holder, Nov. 6, 2017, <https://www.spectrumdiversified.com/products/pegboard-basket-with-paper-towel-holder> (Year: 2017).*
(Continued)

Primary Examiner — David G Muller
Assistant Examiner — Nathan M Johnston
(74) *Attorney, Agent, or Firm* — Renner, Otto, Boisselle and Sklar, LLP

(57) **CLAIM**
The ornamental design for a basket with paper towel holder, as shown and described.

DESCRIPTION
FIG. 1 is a top, front, right perspective view of basket with paper towel holder showing our new design; FIG. 2 is a front elevation view thereof; FIG. 3 is a rear elevation view thereof; FIG. 4 is a left side elevation view thereof; FIG. 5 is a right side elevation view thereof; FIG. 6 is a top plan view thereof; and, FIG. 7 is a bottom plan view thereof. The broken line showing represents unclaimed portions of the basket with paper towel holder and forms no part of the claimed design.

1 Claim, 4 Drawing Sheets



(56)

References Cited

U.S. PATENT DOCUMENTS

| | | | | | | |
|----------|---|---|---------|----------------|-------|--------|
| D554,419 | S | * | 11/2007 | Thompson | | D6/566 |
| D557,962 | S | | 12/2007 | Duggan | | |
| D559,024 | S | | 1/2008 | Tau | | |
| D583,872 | S | | 12/2008 | Smith | | |
| D584,056 | S | * | 1/2009 | Ghiorghie | | D3/304 |
| D588,814 | S | * | 3/2009 | Ghiorghie | | D3/304 |
| D612,648 | S | | 3/2010 | Guindi | | |
| D645,671 | S | | 9/2011 | Goodman | | |
| D650,209 | S | * | 12/2011 | Snider | | D6/513 |
| D653,053 | S | | 1/2012 | Goodman et al. | | |
| D693,577 | S | * | 11/2013 | Goodman | | D3/306 |
| D697,376 | S | | 1/2014 | Goodman et al. | | |
| D717,070 | S | * | 11/2014 | Callif | | D6/553 |
| D718,054 | S | * | 11/2014 | Goodman | | D3/306 |
| D746,592 | S | | 1/2016 | Goodman et al. | | |
| D764,171 | S | * | 8/2016 | Goodman | | D3/306 |
| D770,801 | S | * | 11/2016 | Goodman | | D6/549 |

OTHER PUBLICATIONS

- U.S. Appl. No. 29/519,054, filed Mar. 2, 2015.
- Design U.S. Appl. No. 29/519,070, filed Mar. 2, 2015.
- Design U.S. Appl. No. 29/532,460, filed Jul. 7, 2015.
- Design U.S. Appl. No. 29/554,129, filed Feb. 8, 2016.
- Design U.S. Appl. No. 29/554,825, filed Feb. 16, 2016.

* cited by examiner

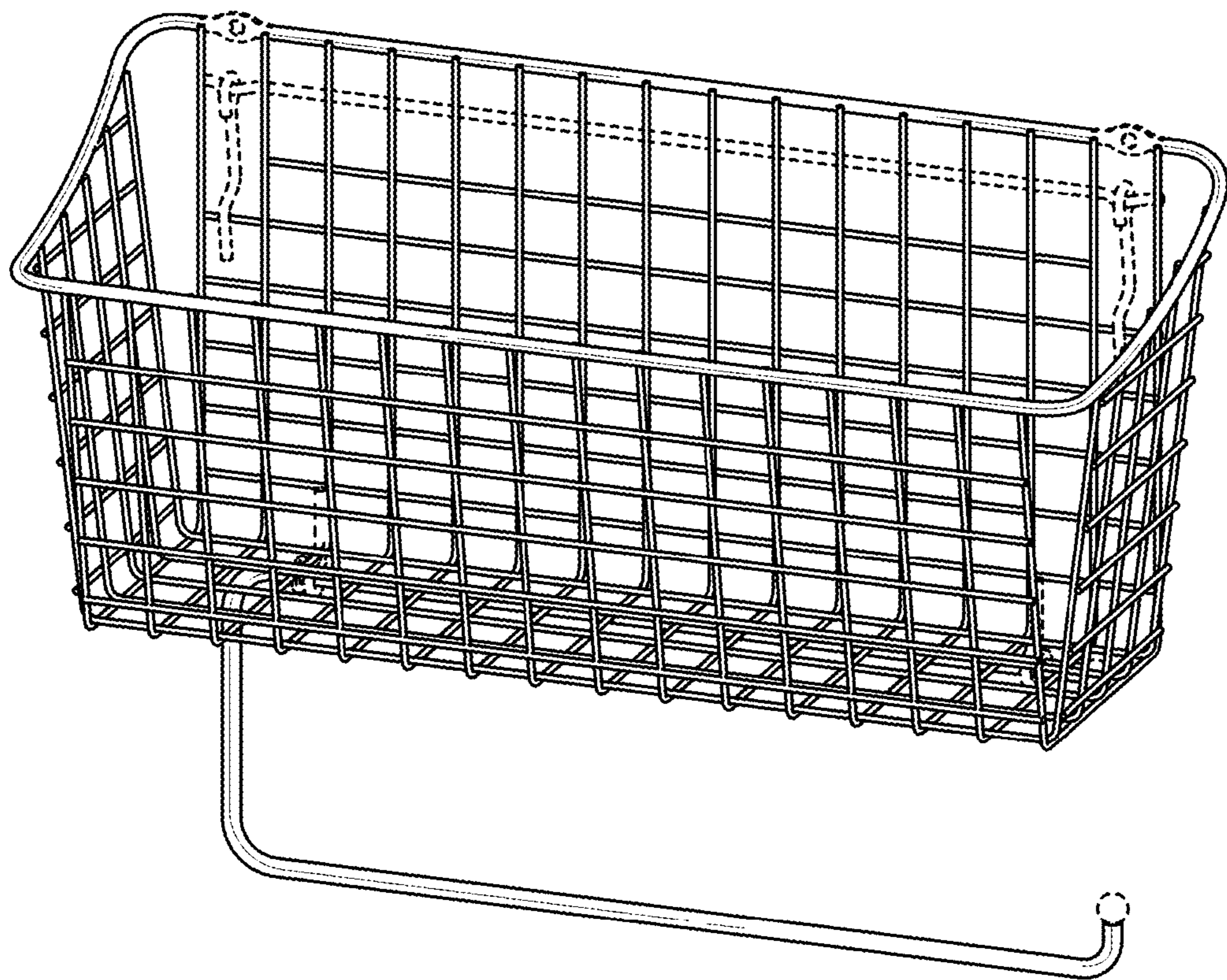


FIG. 1

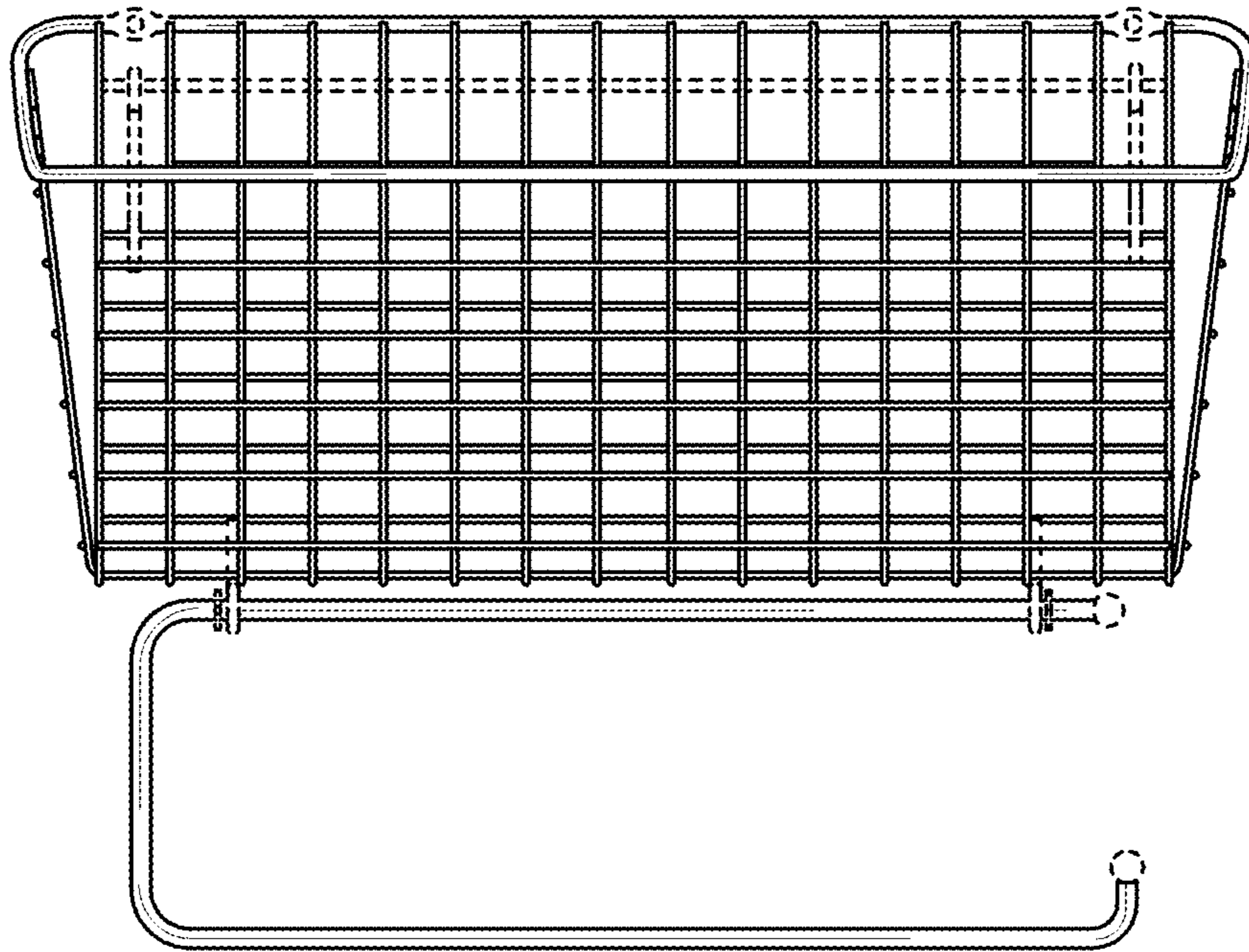


FIG. 2

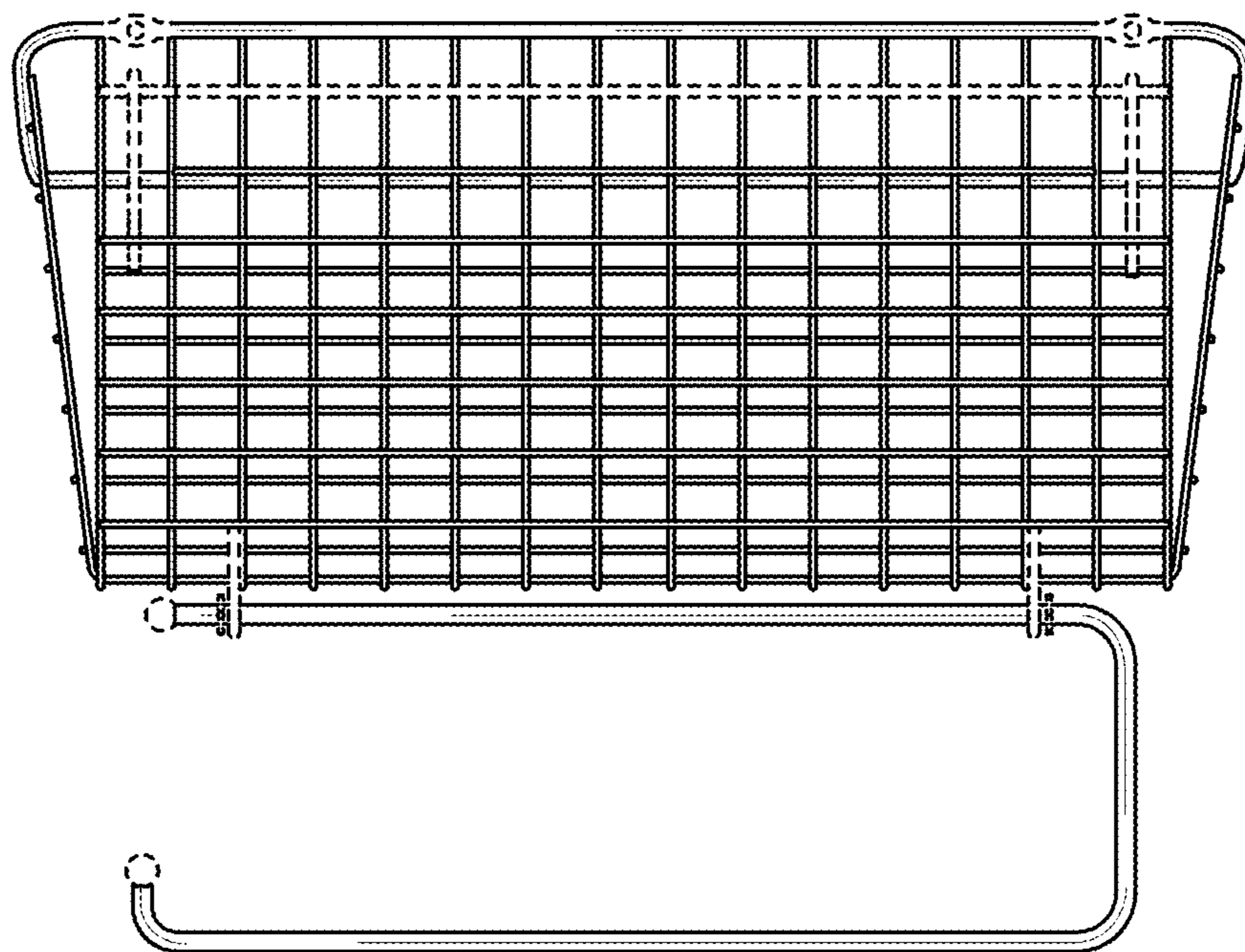


FIG. 3

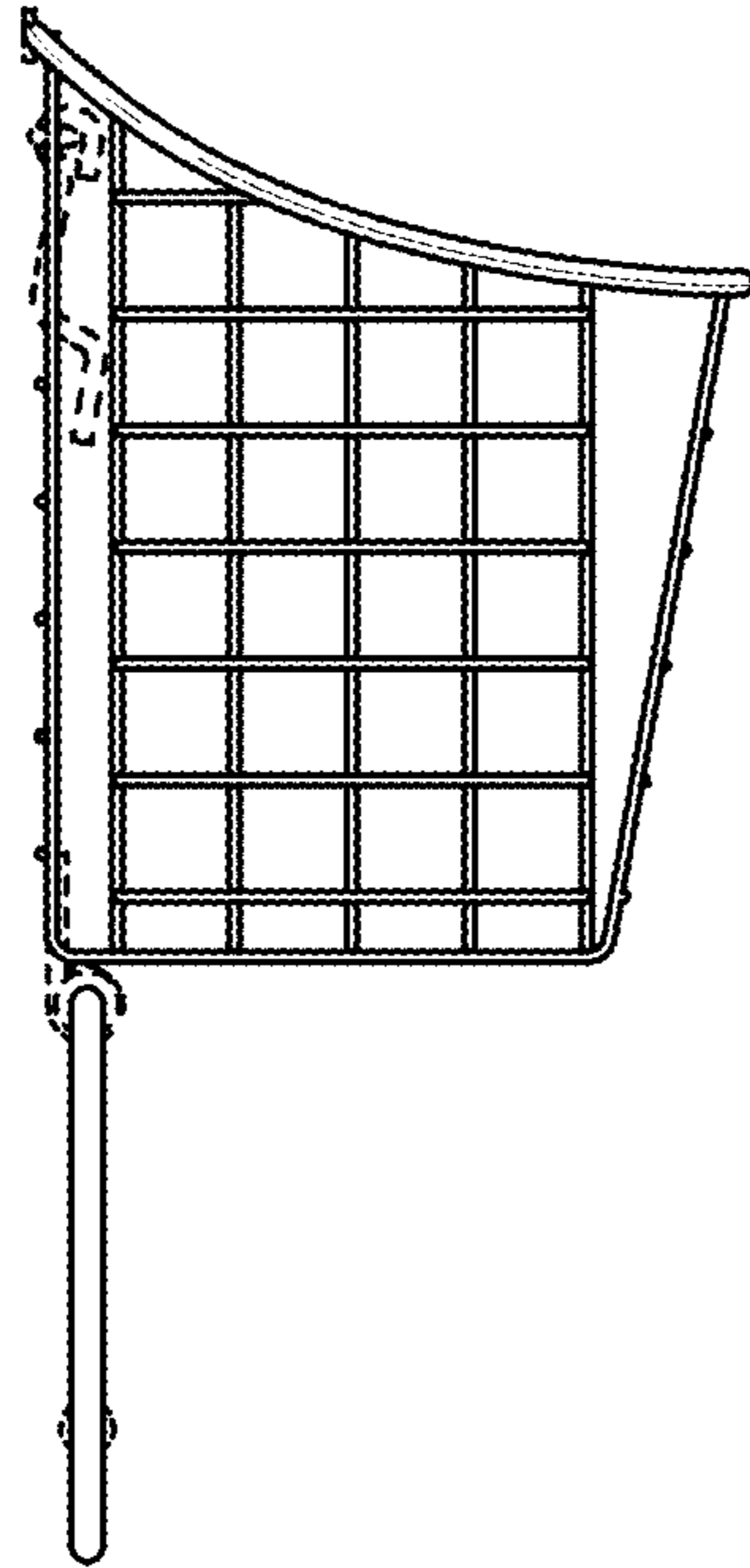


FIG. 4

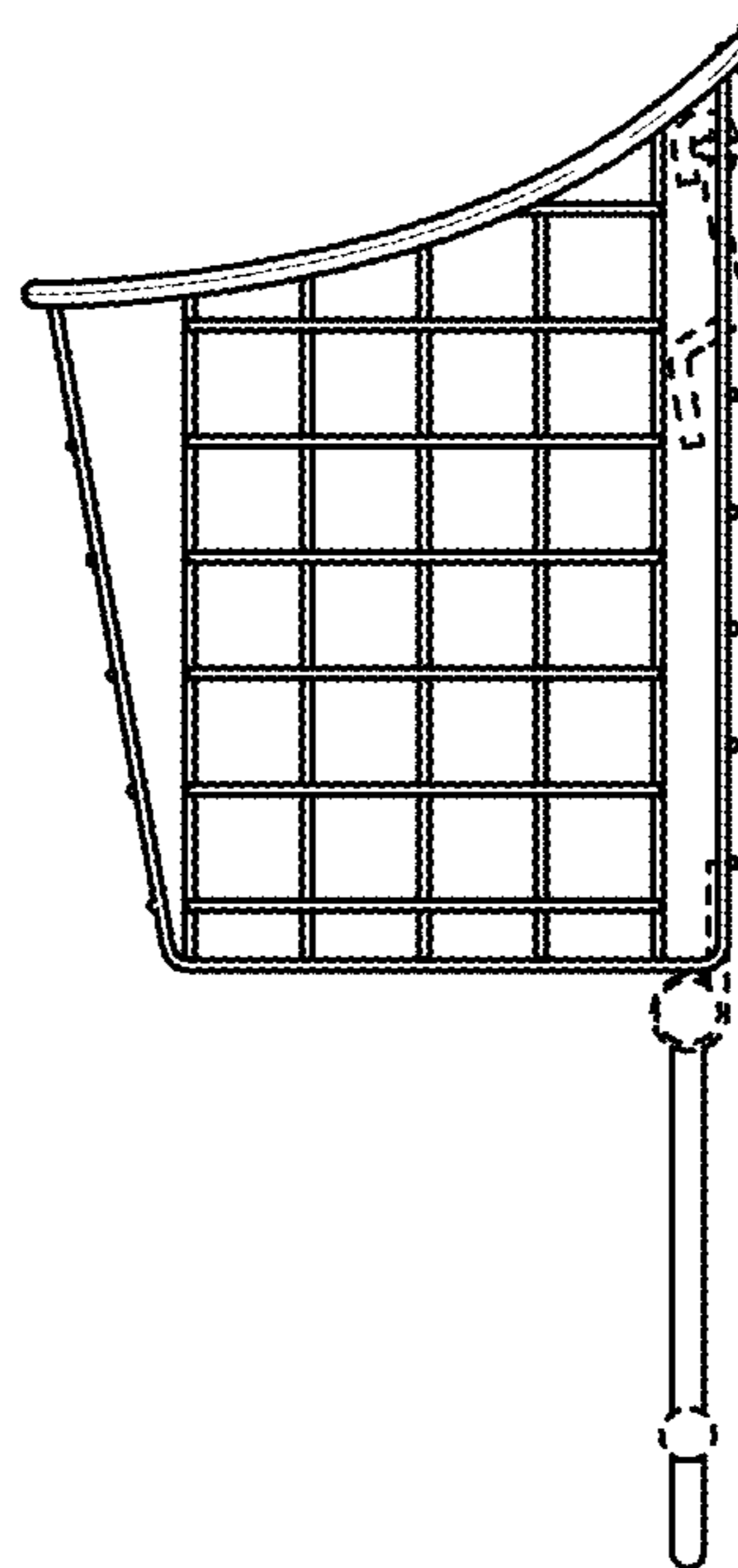


FIG. 5

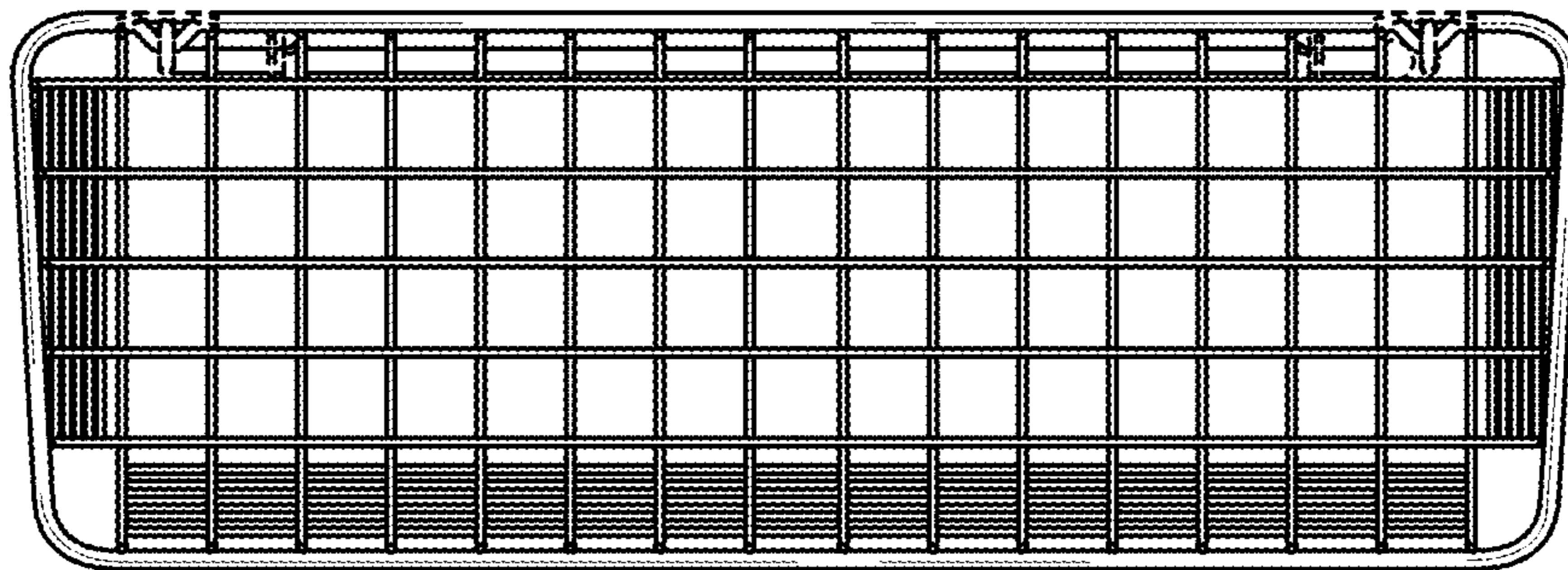


FIG. 6

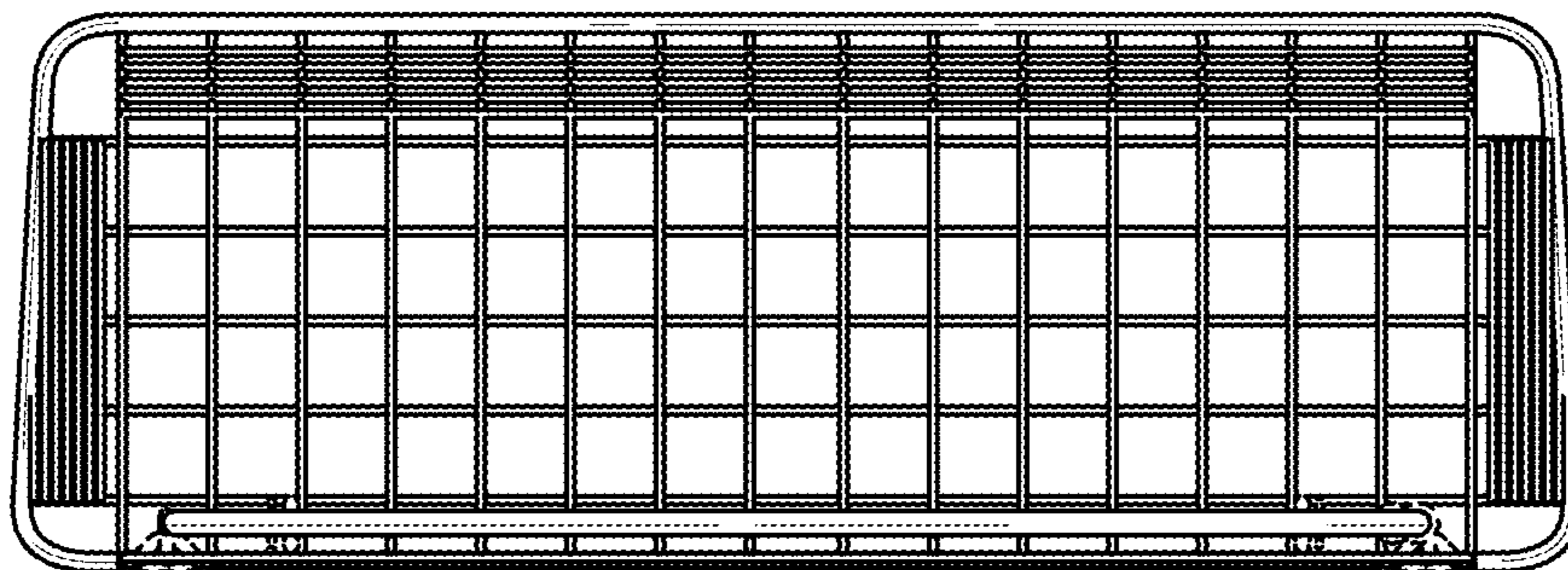


FIG. 7