



US00D812395S

(12) **United States Design Patent**
Buell et al.

(10) **Patent No.:** **US D812,395 S**
(45) **Date of Patent:** **** Mar. 13, 2018**

(54) **DISPENSER STAND**

(71) Applicant: **GOJO Industries, Inc.**, Akron, OH
(US)

(72) Inventors: **Shelby Jay Buell**, Medina, OH (US);
Andrew P. Tojek, Garfield Heights, OH
(US); **Mark W. Moore**, Aurora, OH
(US)

(73) Assignee: **GOJO Industries, Inc.**, Akron, OH
(US)

(**) Term: **15 Years**

(21) Appl. No.: **29/585,808**

(22) Filed: **Nov. 29, 2016**

(51) **LOC (11) Cl.** **23-02**

(52) **U.S. Cl.**
USPC **D6/542**

(58) **Field of Classification Search**

USPC D6/542, 512, 513, 545, 543, 515;
D7/300, 306, 313, 397; D9/733; D20/1;
D23/208; 206/225, 233, 389, 391;
211/13.1, 45; 221/26, 282-283;
222/108, 173
CPC A47K 5/00; B67D 3/0029; A47F 9/04;
F25D 2331/806; Y10T 225/238; A47G
19/183; A61C 15/043; B65D 35/56;
B65D 51/249

See application file for complete search history.

(56) **References Cited**

U.S. PATENT DOCUMENTS

D352,867 S * 11/1994 Morris D7/589
D359,546 S * 6/1995 Savage 23/207
D604,974 S 12/2009 Morrison

D671,346 S * 11/2012 Zlatic D23/208
D686,839 S 7/2013 Markwick
D734,086 S 7/2015 Tseng
D735,487 S * 8/2015 Marino D6/515
D796,868 S * 9/2017 Johnson D6/542

OTHER PUBLICATIONS

Notice of Allowance from U.S. Appl. No. 29/590,239 dated Dec. 8, 2017.

* cited by examiner

Primary Examiner — Wan Laymon

Assistant Examiner — Mark Booker

(74) *Attorney, Agent, or Firm* — Calfee, Halter & Griswold LLP

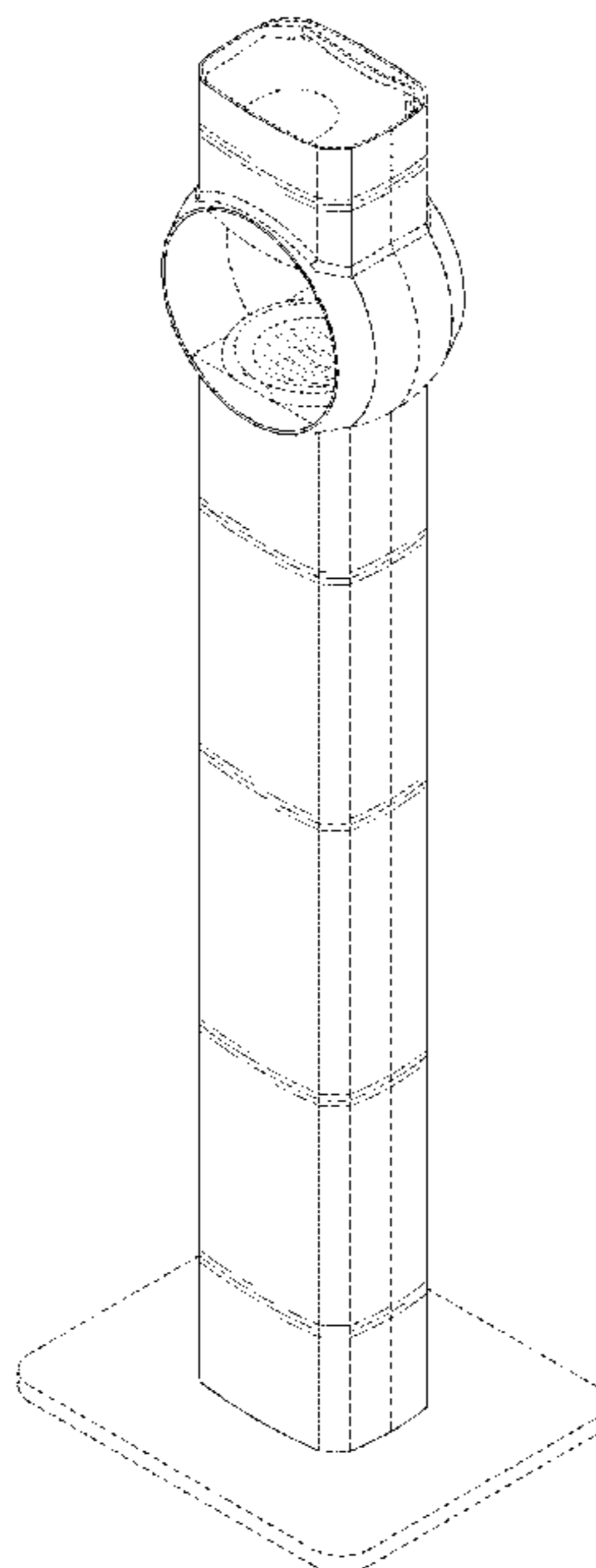
(57) **CLAIM**

The ornamental design for a dispenser stand, as shown and described.

DESCRIPTION

FIG. 1 is a perspective view of a dispenser stand of the new design;
FIG. 2 is front elevational view of the dispenser stand of FIG. 1;
FIG. 3 is a right side elevational view of the dispenser stand of FIG. 1;
FIG. 4 is a rear elevational view plan view of the dispenser stand of FIG. 1;
FIG. 5 is a left side elevational view of the dispenser stand of FIG. 1;
FIG. 6 is a top plan view of the dispenser stand of FIG. 1; and,
FIG. 7 is bottom view of the dispenser stand of FIG. 1.
The portions of the Figures shown in broken lines are not part of the claimed design and are for illustration only.

1 Claim, 4 Drawing Sheets



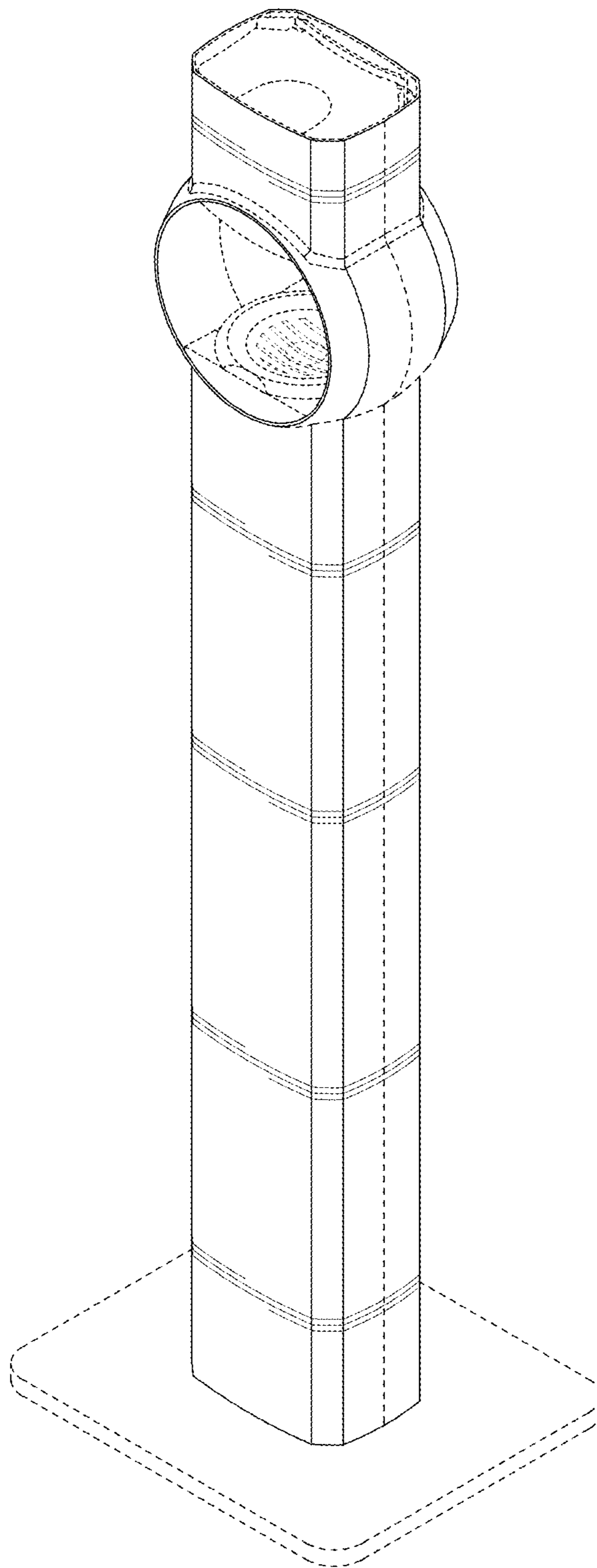


FIG. 1

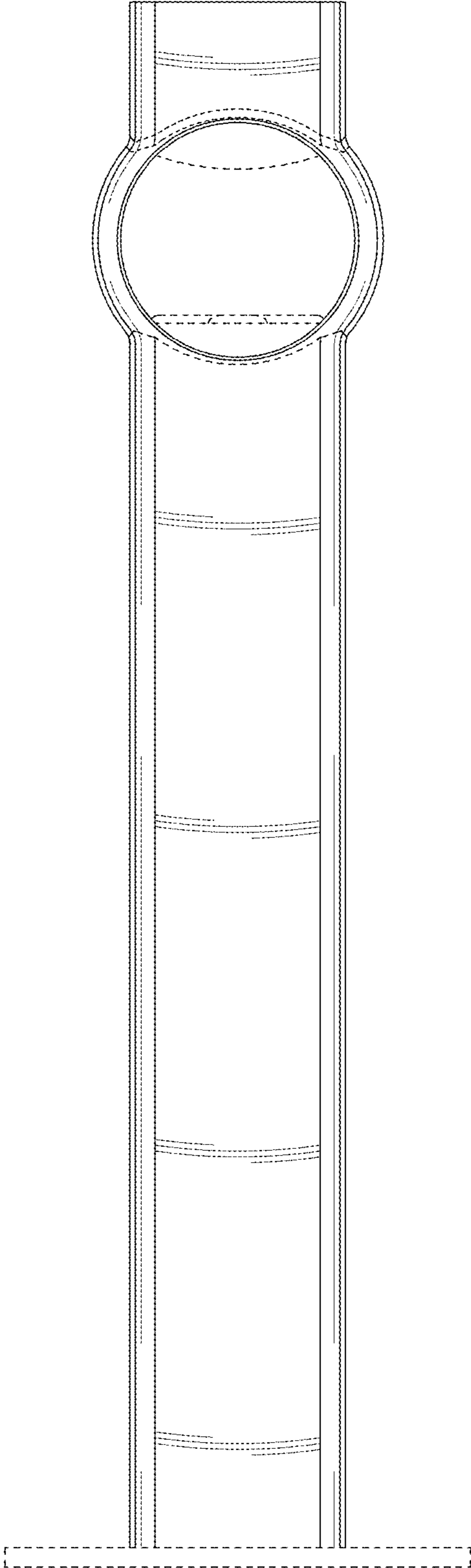


FIG. 2

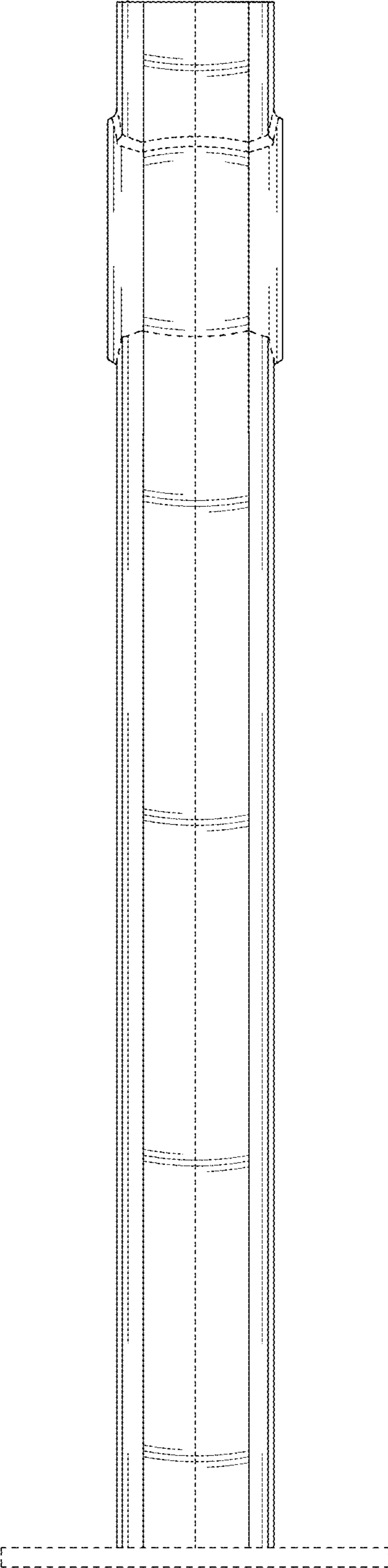


FIG. 3

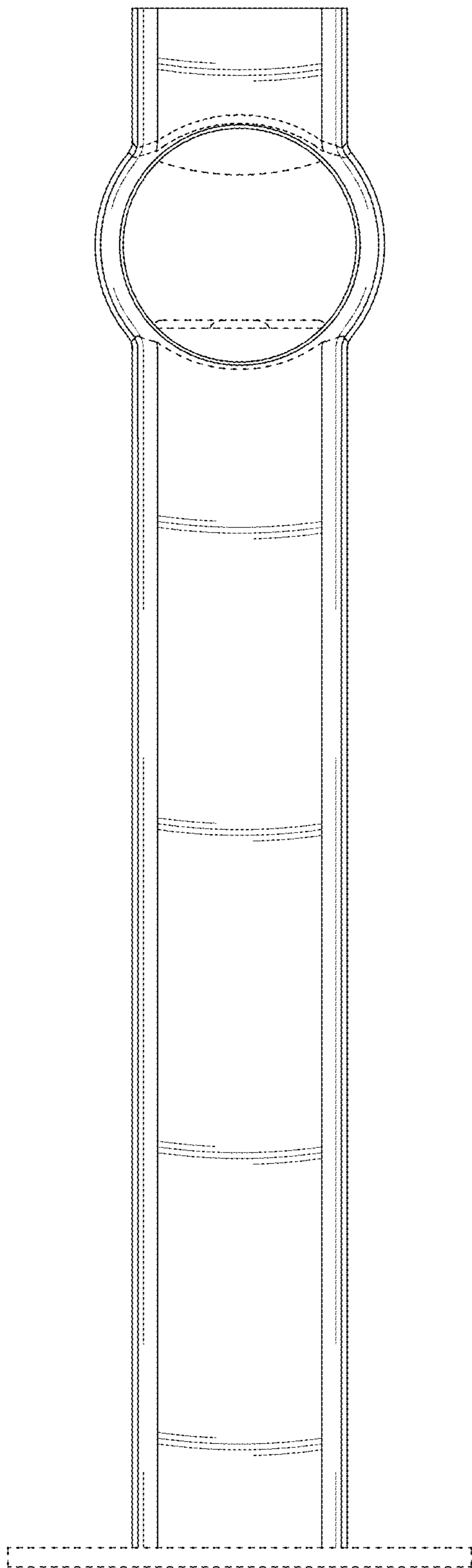


FIG. 4

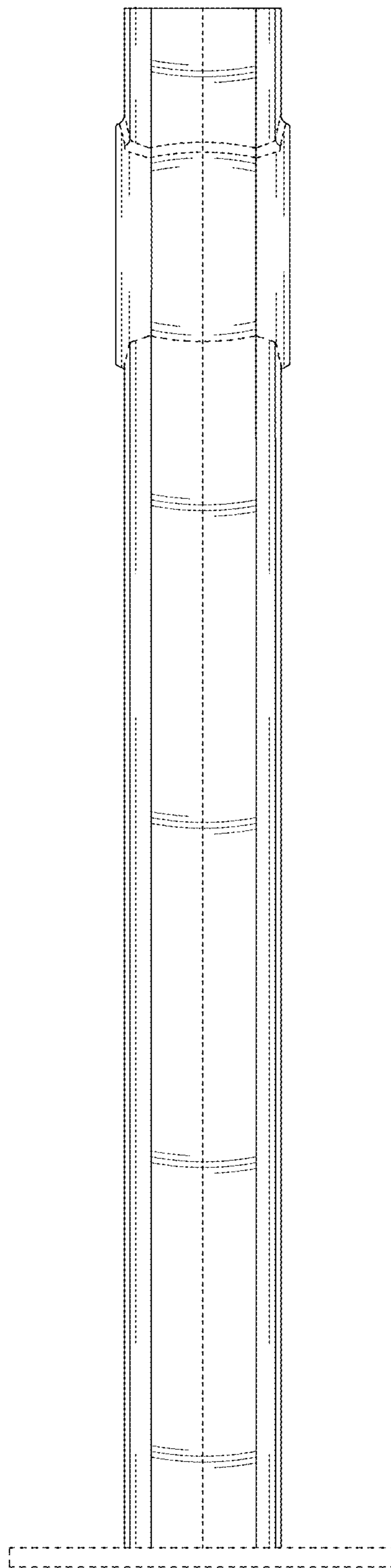


FIG. 5

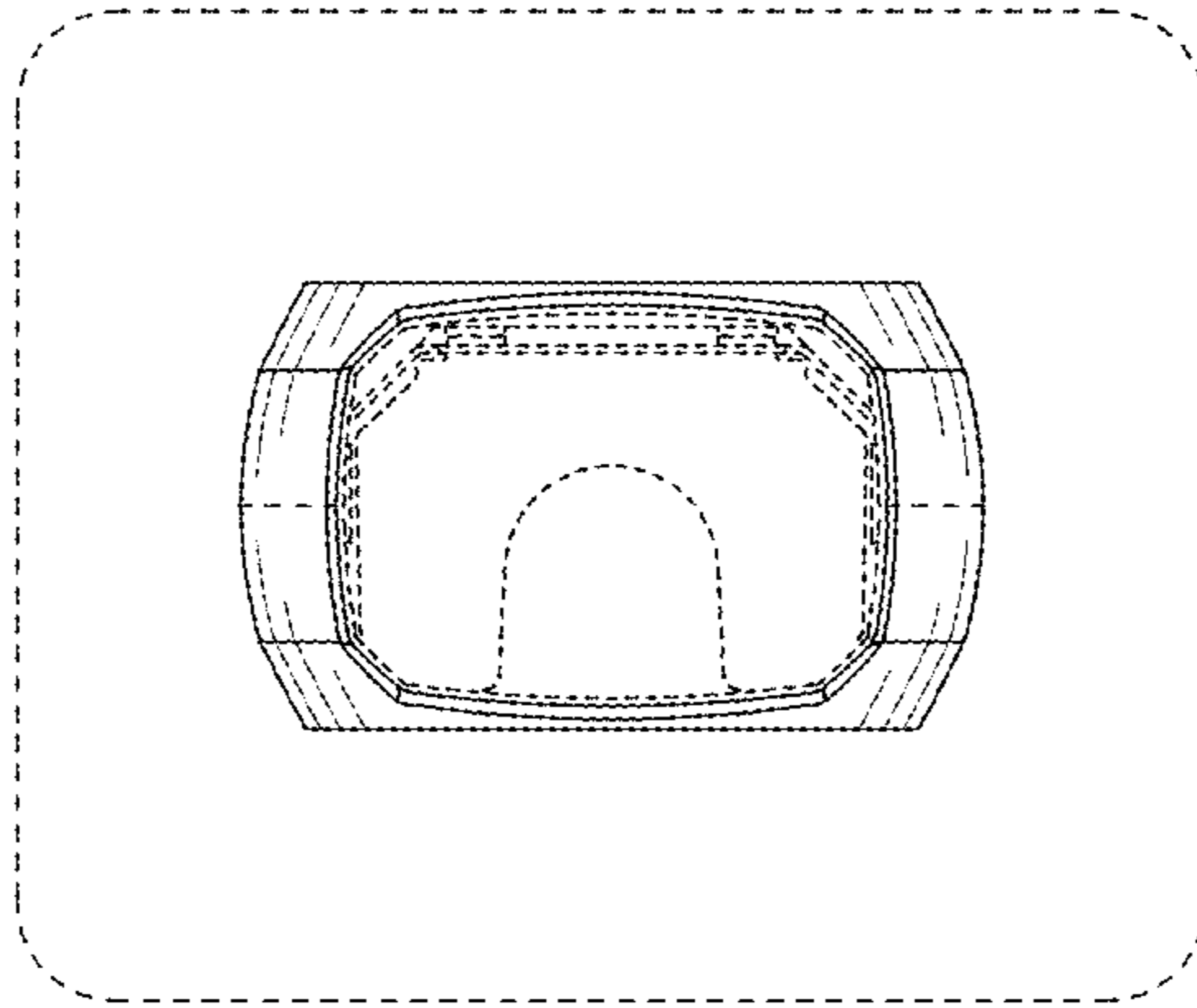


FIG. 6

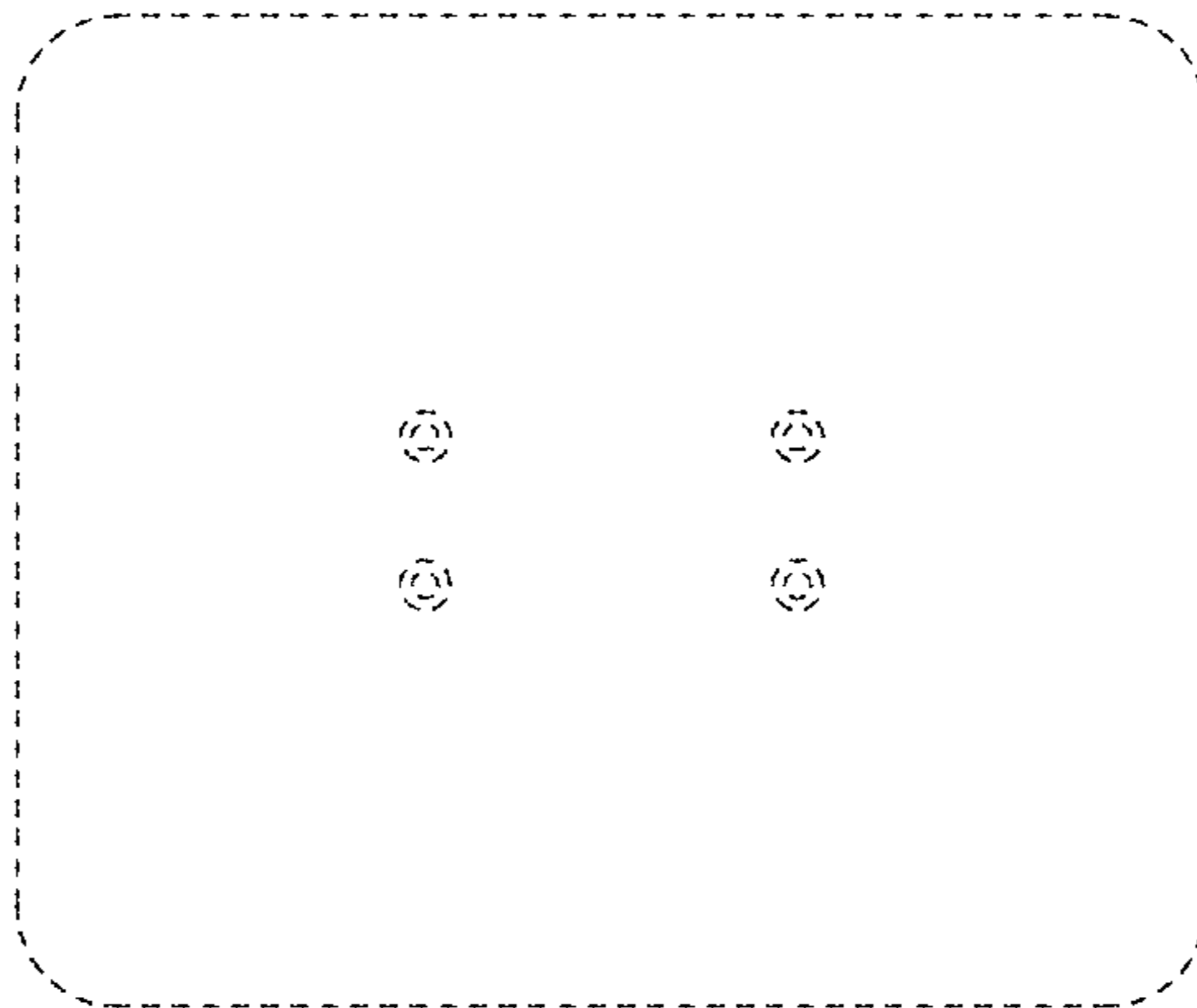


FIG. 7