



US00D812394S

(12) **United States Design Patent**  
**Weng**

(10) **Patent No.:** **US D812,394 S**  
(45) **Date of Patent:** **\*\* Mar. 13, 2018**

(54) **SWING BED**

6,958,017 B1 \* 10/2005 Toombs, Jr. .... A63G 9/00  
297/273

(71) Applicant: **Ningbo Mentoriend International Trading Co., Ltd., Ningbo (CN)**

D681,354 S \* 5/2013 Hinterwirth ..... D6/347

D706,043 S \* 6/2014 Zhou ..... D6/347

D765,436 S \* 9/2016 Fang ..... D6/344

(72) Inventor: **Johnson Weng, Ningbo (CN)**

\* cited by examiner

(73) Assignee: **NINGBO MENTORIEND INTERNATIONAL TRADING CO., LTD., Ningbo (CN)**

*Primary Examiner* — Cathron C Brooks

(74) *Attorney, Agent, or Firm* — Matthias Scholl P.C.;  
Matthias Scholl

(\*\*) Term: **15 Years**

(21) Appl. No.: **29/594,286**

(57) **CLAIM**

(22) Filed: **Feb. 16, 2017**

The ornamental design for a swing bed, as shown and described.

(51) **LOC (11) Cl.** ..... **06-02**

(52) **U.S. Cl.**

USPC ..... **D6/385; D6/347**

(58) **Field of Classification Search**

USPC ..... D6/382, 385, 386, 389, 344, 347, 361

CPC ... A63G 9/00; A63G 9/02; A63G 9/12; A47C  
1/143; A47C 17/84

See application file for complete search history.

**DESCRIPTION**

FIG. 1 is a right side elevational view of a swing bed;

FIG. 2 is a bottom plan view thereof;

FIG. 3 is a front perspective view thereof; and,

FIG. 4 is a rear perspective view thereof.

The broken line showing of two pillows in FIGS. 1, 3 and 4 illustrates portions of the swing bed that form no part of the claimed design.

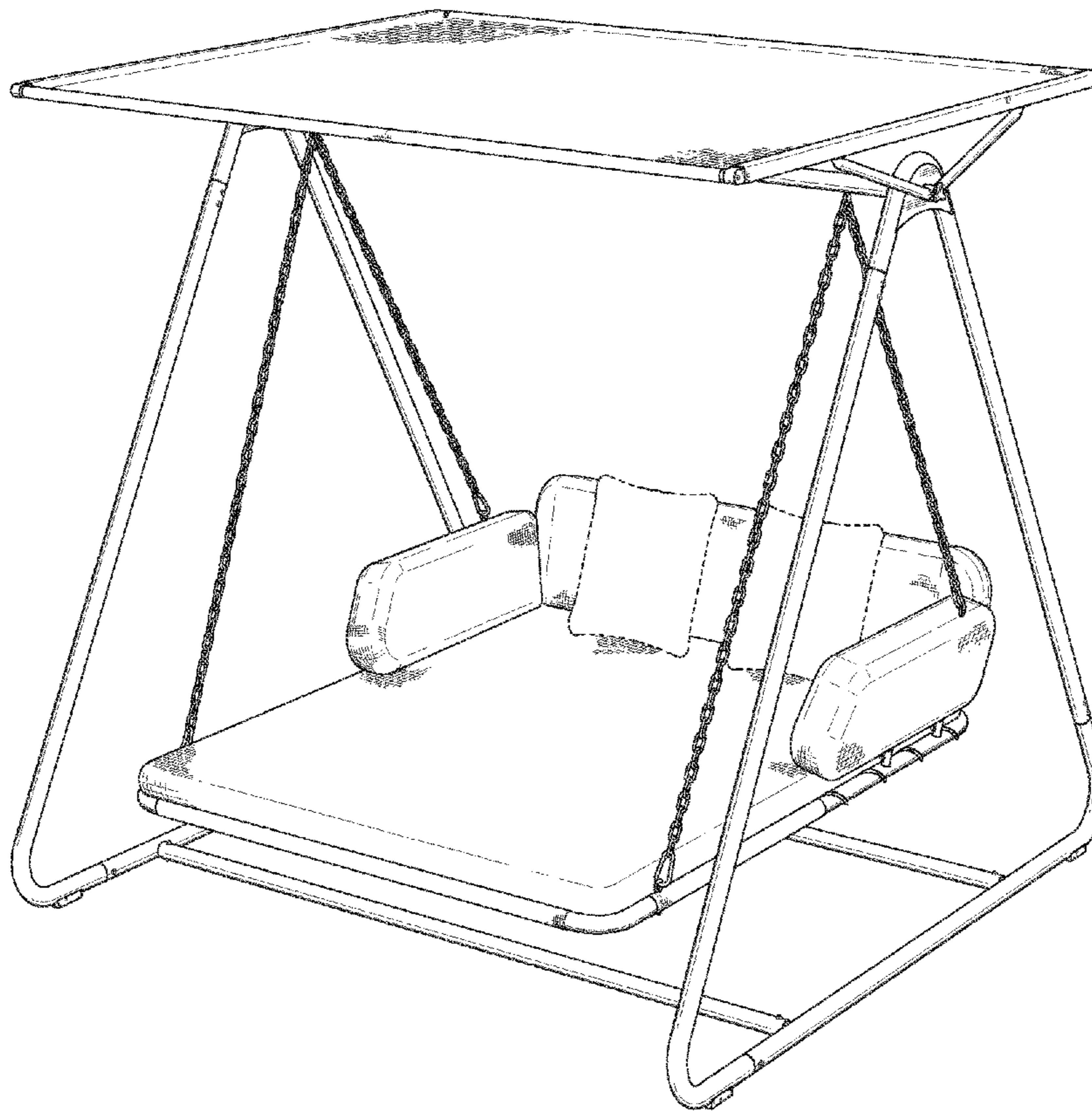
(56) **References Cited**

**U.S. PATENT DOCUMENTS**

D450,938 S \* 11/2001 Liu ..... D6/347

D496,800 S \* 10/2004 Pauschitz ..... D6/344

**1 Claim, 4 Drawing Sheets**



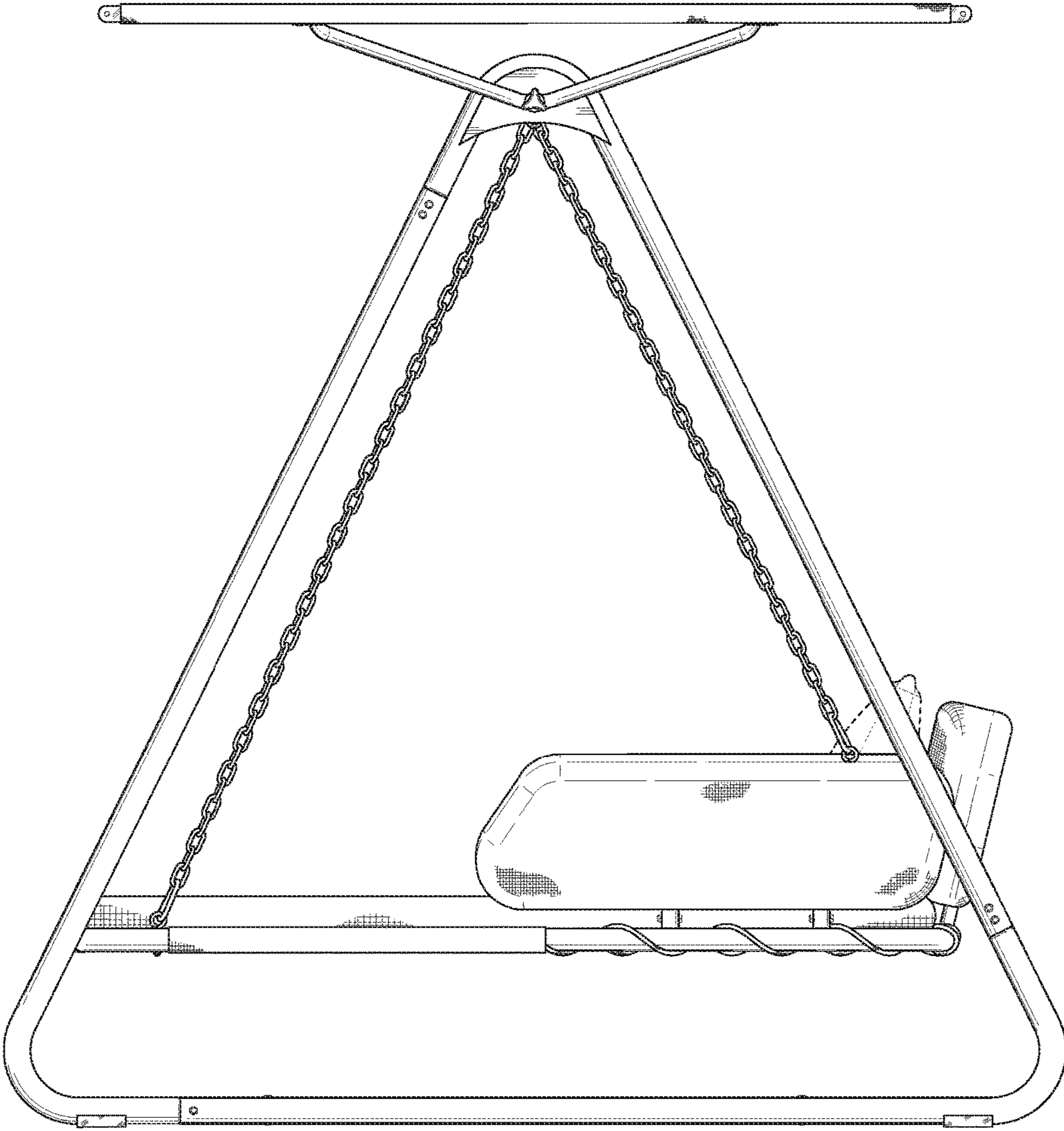


FIG. 1

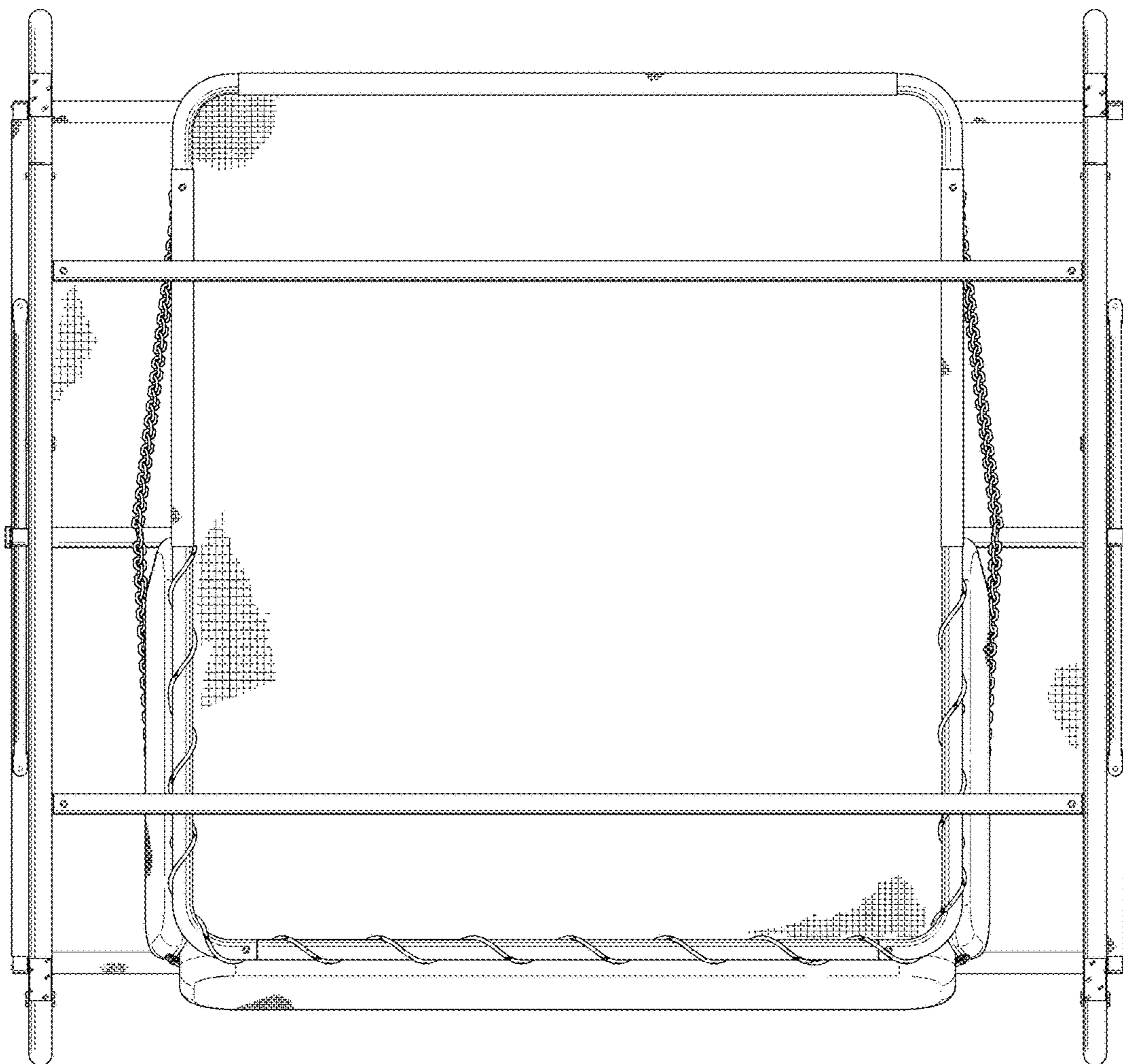


FIG. 2

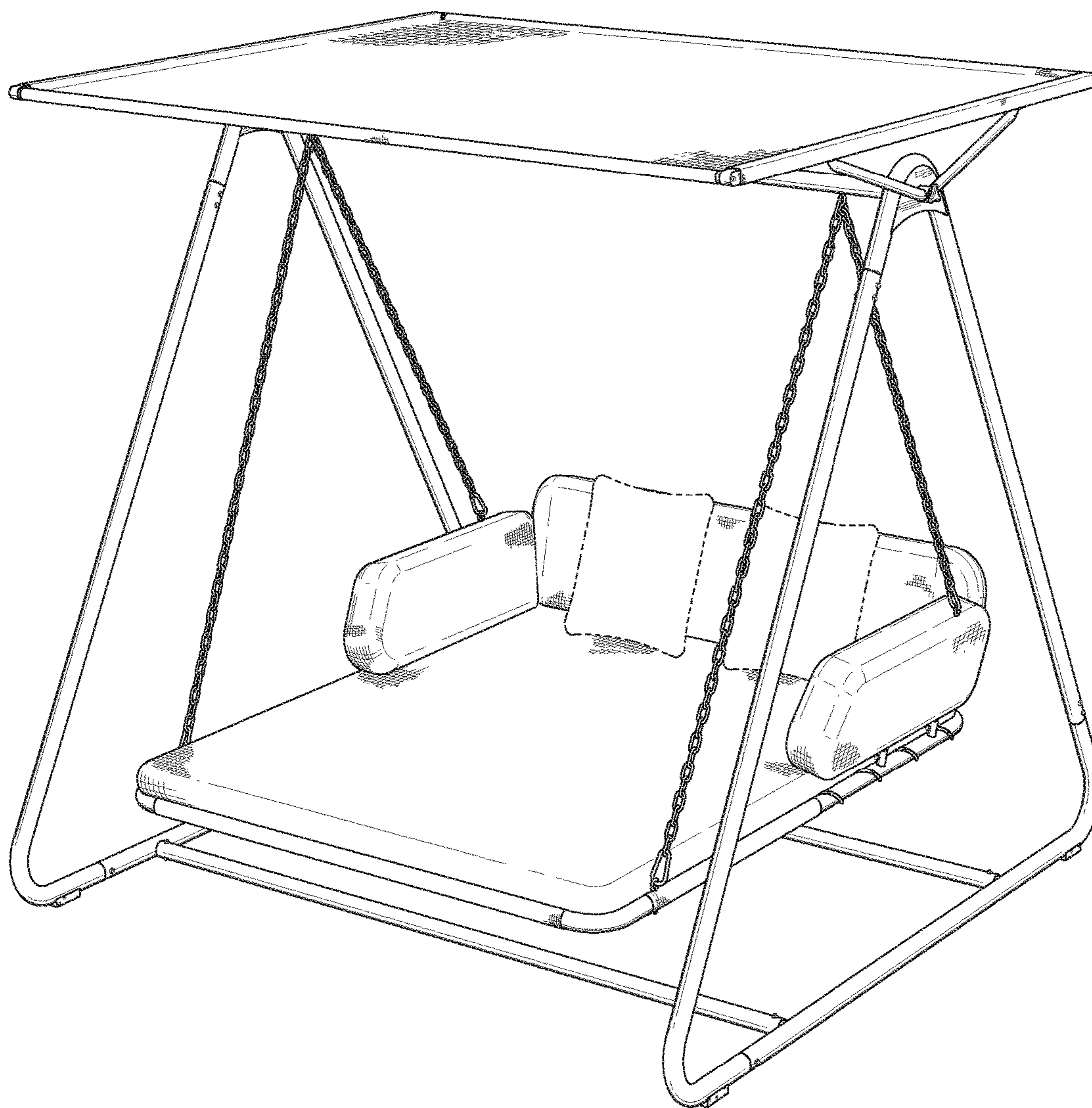


FIG. 3

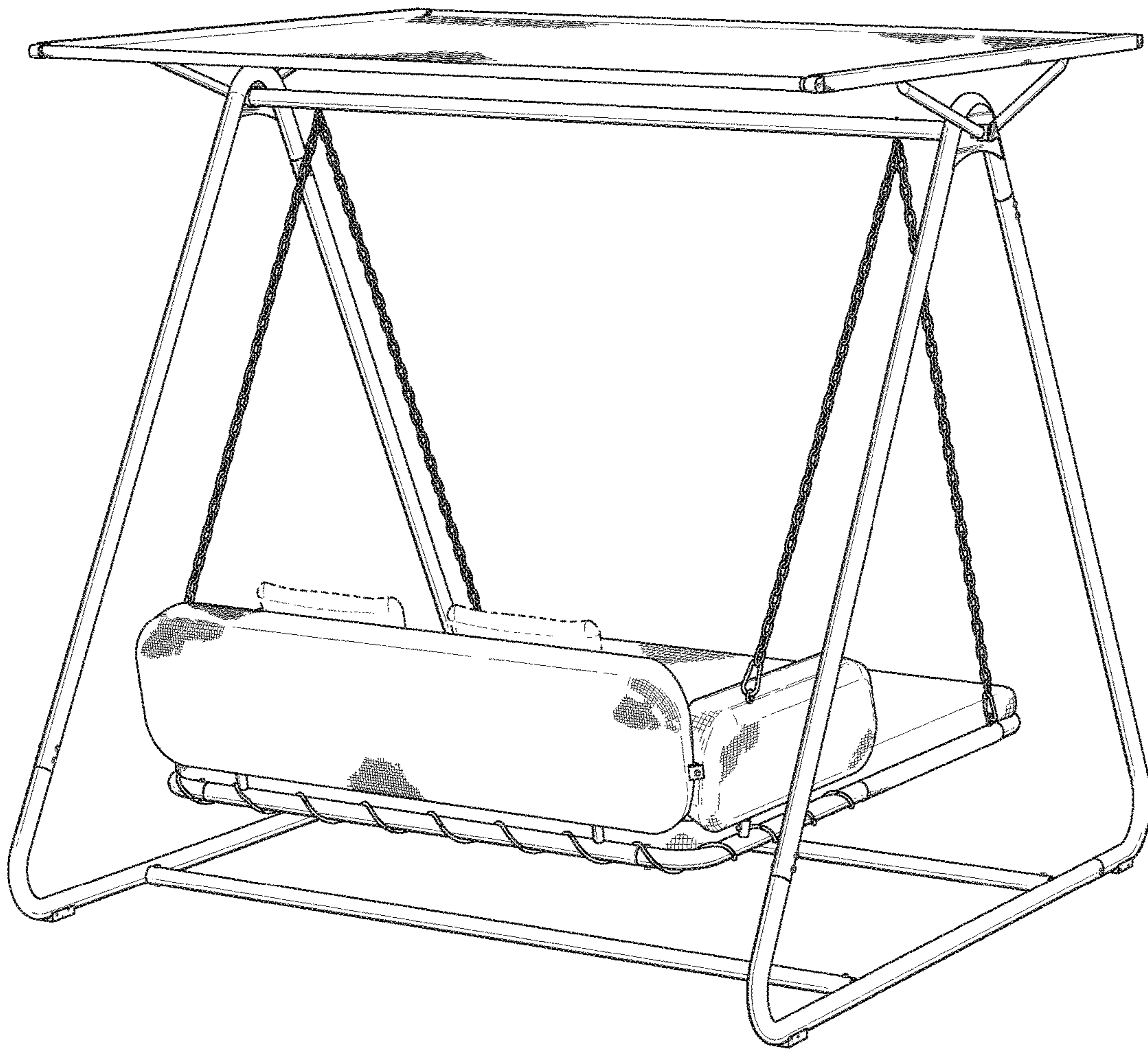


FIG. 4