



US00D812391S

(12) **United States Design Patent**
Schmitt

(10) **Patent No.:** **US D812,391 S**
(45) **Date of Patent:** **** Mar. 13, 2018**

- (54) **ARM CHAIR**
- (71) Applicant: **Jack Schmitt**, Mission Viejo, CA (US)
- (72) Inventor: **Jack Schmitt**, Mission Viejo, CA (US)
- (73) Assignee: **Amini Innovation Corporation**, Pico Rivera, CA (US)

- D233,099 S 10/1974 Onishi
 - D242,308 S 11/1976 Adkinson
 - D258,102 S 2/1981 Rocchia
 - D259,841 S 7/1981 Mioni
 - D262,167 S * 12/1981 Steinberger D6/374
 - D293,168 S 12/1987 Tarlow
 - 4,940,150 A 7/1990 Spengler
 - D327,989 S 7/1992 Hilton
 - D351,511 S 10/1994 Ferguson
- (Continued)

(**) Term: **15 Years**

(21) Appl. No.: **29/559,383**

(22) Filed: **Mar. 28, 2016**

(51) **LOC (11) Cl.** **06-01**

(52) **U.S. Cl.**
USPC **D6/379**

(58) **Field of Classification Search**
USPC D6/379, 334, 335, 336, 369, 370, 371,
D6/372, 373, 374, 375, 376, 377, 378,
D6/380, 381, 716, 716.1, 716.2, 716.3,
D6/716.4; 297/411.41, 411.42
CPC A47C 3/12; A47C 3/00; A47C 3/04; A47C
4/02; A47C 4/03; A47C 5/02; A47C 5/12;
A47C 7/54; A47C 7/16; B60N 2/686
See application file for complete search history.

(56) **References Cited**

U.S. PATENT DOCUMENTS

- D39,390 S 6/1908 Killian
- D63,704 S 1/1924 Stringe
- D66,697 S 9/1924 McCargar
- D66,698 S 2/1925 McCarger
- D84,514 S 10/1930 Brown
- D87,144 S 6/1932 Brower
- D88,663 S 12/1932 McLaurin
- D94,777 S 3/1935 Raventos
- D94,779 S 3/1935 Raventos
- D105,091 S * 6/1937 Davis D6/379
- D218,681 S 9/1970 Jakobsen
- D218,684 S 9/1970 Jakobsen
- D229,596 S 12/1973 Fisher
- D233,097 S 10/1974 Kashu

OTHER PUBLICATIONS

www.amini.com website, Glimmering Heights Arm Chair, Jul. 19, 2017, http://www.amini.com/collections_detail.asp?code=9011000&CatCode=DRS&item=9011004-111&collection=Glimmering%20Heights#.WW9BsvkrL0M.*

(Continued)

Primary Examiner — David G Muller
Assistant Examiner — Nathan M Johnston
(74) *Attorney, Agent, or Firm* — Cislo & Thomas, LLP

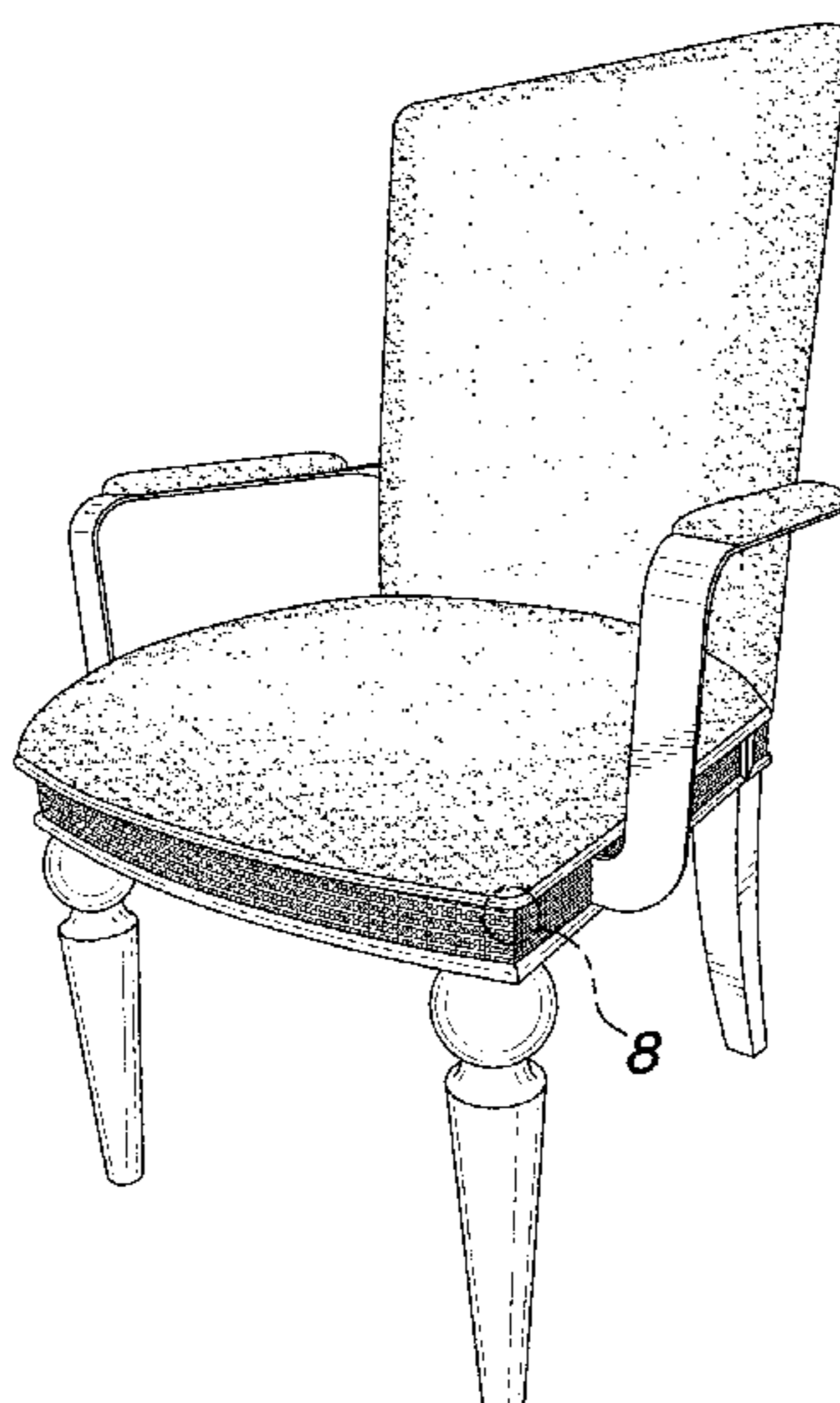
(57) **CLAIM**

I claim the ornamental design for an arm chair, as shown and described.

DESCRIPTION

FIG. 1 is a perspective view of my arm chair;
FIG. 2 is a front elevation view thereof;
FIG. 3 is a rear elevation view thereof;
FIG. 4 is a right side elevation view, the left side elevation view (not shown) is a minor image thereof;
FIG. 5 is a top plan view thereof;
FIG. 6 is a close up view of the area designated "6" in FIG. 2;
FIG. 7 is a close up view of the area designated "7" in FIG. 6; and,
FIG. 8 is a close up view of the area designated "8" in FIG. 1.

1 Claim, 7 Drawing Sheets



(56)

References Cited

U.S. PATENT DOCUMENTS

D362,558 S * 9/1995 Reinhard D6/379
 D364,046 S 11/1995 Keller
 D364,743 S 12/1995 Lewis
 D369,919 S 5/1996 Lenger
 D378,168 S 2/1997 Lewis
 D383,617 S 9/1997 Estape et al.
 D384,826 S 10/1997 Hutton
 D385,120 S 10/1997 Wistehuff, III
 D385,424 S 10/1997 Chandler
 D391,411 S 3/1998 Walters et al.
 D405,630 S 2/1999 Wohlford
 D410,803 S 6/1999 Kreiss
 6,120,101 A * 9/2000 Zimmerman A47C 4/02
 297/259.4
 D430,418 S 10/2000 O'Hare
 D432,326 S * 10/2000 Duffy D6/379
 D441,558 S 5/2001 Vaaler
 D441,975 S 5/2001 McDaniel et al.
 D445,583 S 7/2001 O'Hare et al.
 D445,584 S 7/2001 O'Hare et al.
 D446,956 S 8/2001 Black
 D448,943 S 10/2001 McDaniel et al.
 D448,944 S 10/2001 McDaniel et al.
 D451,694 S 12/2001 Vaaler
 D452,084 S 12/2001 O'Hare et al.
 D453,426 S 2/2002 Juhasz
 D455,030 S 4/2002 Harwanko
 D456,179 S 4/2002 Ferrer Beltran
 D456,640 S 5/2002 Harwanko
 D458,469 S 6/2002 Schweikarth et al.
 D459,905 S 7/2002 Stanton
 D459,906 S 7/2002 Stanton
 D463,154 S 9/2002 Vaaler
 D464,822 S 10/2002 Vaaler
 D466,320 S 12/2002 Tobin, Jr.
 D466,322 S 12/2002 Tobin, Jr.
 D466,332 S 12/2002 Tobin, Jr.
 D468,923 S 1/2003 O'Hare
 D468,925 S 1/2003 Vaaler
 D469,266 S 1/2003 Stanton
 D469,267 S 1/2003 Stanton
 D472,724 S 4/2003 Schmitt
 D473,392 S 4/2003 Vaaler
 D479,658 S 9/2003 Warren et al.
 D480,576 S 10/2003 Schmitt
 D481,881 S 11/2003 McDaniel et al.
 D483,581 S 12/2003 Chang
 D486,005 S 2/2004 Risdon
 D487,990 S 4/2004 Vaaler
 D487,991 S 4/2004 O'Hare
 D489,913 S 5/2004 Wanek et al.
 D491,386 S 6/2004 Sexton
 D491,754 S 6/2004 Harwanko
 D492,497 S 7/2004 Domack
 D492,853 S 7/2004 Schmitt
 D497,497 S 10/2004 Harwanko
 D498,093 S 11/2004 Darafeev
 D498,954 S * 11/2004 Darafeev D6/716
 D503,293 S 3/2005 Schmitt
 D505,804 S 6/2005 Chen
 D509,673 S 9/2005 Schmitt
 D511,903 S 9/2005 Schmitt
 D514,344 S 2/2006 Domack et al.
 D514,835 S * 2/2006 Grosfillex D6/368

D514,839 S 2/2006 Schmitt
 D514,851 S 2/2006 Stanton
 D516,332 S 3/2006 Schmitt
 D516,333 S 3/2006 Schmitt
 D516,334 S 3/2006 Schmitt
 D516,335 S 3/2006 Schmitt
 D518,970 S 4/2006 Domack et al.
 D519,741 S 5/2006 Katz et al.
 D520,259 S 5/2006 Schmitt
 D525,042 S 7/2006 Everson et al.
 D526,504 S 8/2006 Peterson et al.
 D527,208 S 8/2006 Malizia
 D536,183 S 2/2007 Schmitt
 D540,058 S 4/2007 Everson et al.
 D543,711 S 6/2007 O'Hare
 D545,585 S * 7/2007 Vanderminden, Sr. D6/375
 D547,561 S 7/2007 Thompson
 D554,882 S 11/2007 Donner
 D560,933 S 2/2008 Sexton
 D564,773 S 3/2008 Schmitt
 D572,028 S 7/2008 Schmitt
 D572,492 S * 7/2008 Mainville D6/334
 D574,623 S 8/2008 Bartlmae
 D574,625 S 8/2008 Schmitt
 D576,409 S 9/2008 Schmitt
 D577,218 S * 9/2008 Kreiss D6/374
 D583,162 S * 12/2008 Vallet D6/369
 D589,713 S 4/2009 Lowsky
 D590,618 S 4/2009 Hasset, Jr.
 D590,619 S 4/2009 Schmitt
 D591,523 S * 5/2009 White, III D6/370
 D592,875 S 5/2009 Schmitt
 D604,067 S * 11/2009 Gaschy D6/716
 D608,105 S 1/2010 Kubryk
 D634,560 S * 3/2011 Lewis D6/379
 D658,400 S 5/2012 Sofield
 D679,112 S * 4/2013 Asner D6/370
 D690,951 S * 10/2013 Schmitt D6/379
 D692,248 S * 10/2013 Litt D6/379
 D714,566 S * 10/2014 Schmitt D6/379

OTHER PUBLICATIONS

Smith & Watson, Chairs D-340 and D-316, The Chair Collection, p. 12.
 Ethan Allen circular, Legacy Collection, p. 5, 1996.
 Thomasville, Palais Jardin, p. 12, 2002.
 Furniture Today, p. 158, Oct. 19, 1998.
 Furniture Today AICO, p. 15, Oct. 16, 2000.
 Amini Innovation Corp. Monte Carlo Collection, #53000 Series, 2001, 1 page.
 Amini Innovation Corp. La Francaise Collection, #50000 Series, Sep. 11, 2002, 2 pages.
 Amini Innovation Corp. Villagio Chair, Oct. 16, 2002, 1 page.
 Amini Innovation Corp. Excelsior Chair, Sep. 14, 2004, 1 page.
 Amini Innovation Corp. Tuscano Chair, Sep. 14, 2004, 1 page.
 Furniture Today, Pulaski Chair, p. 33, Apr. 15, 2002.
 Amini Innovation Corp. Torino Collection, #56000 Series, Apr. 18, 2001, 1 page.
 Victorian Furniture Corporation Gentleman's Chair No. 16., Mar. 23, 1973, 1 page.
 Chair #D-248, p. 89, Smith & Watson, The Chair Collection, Edition 1, 1 page.
 Amini Innovation Corp. Trevi Collection, Sep. 20, 2004, 2 pages.

* cited by examiner

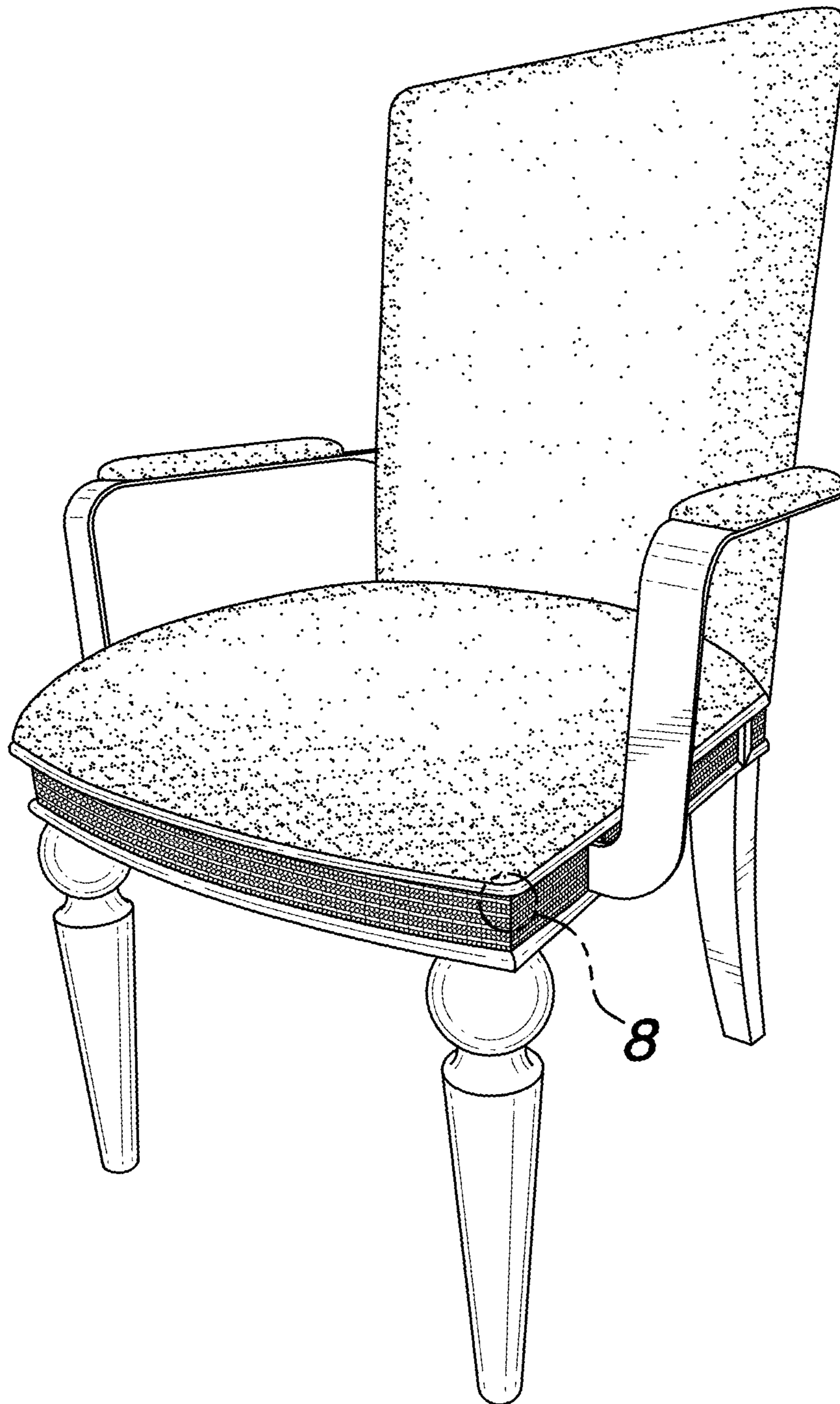


FIG. 1

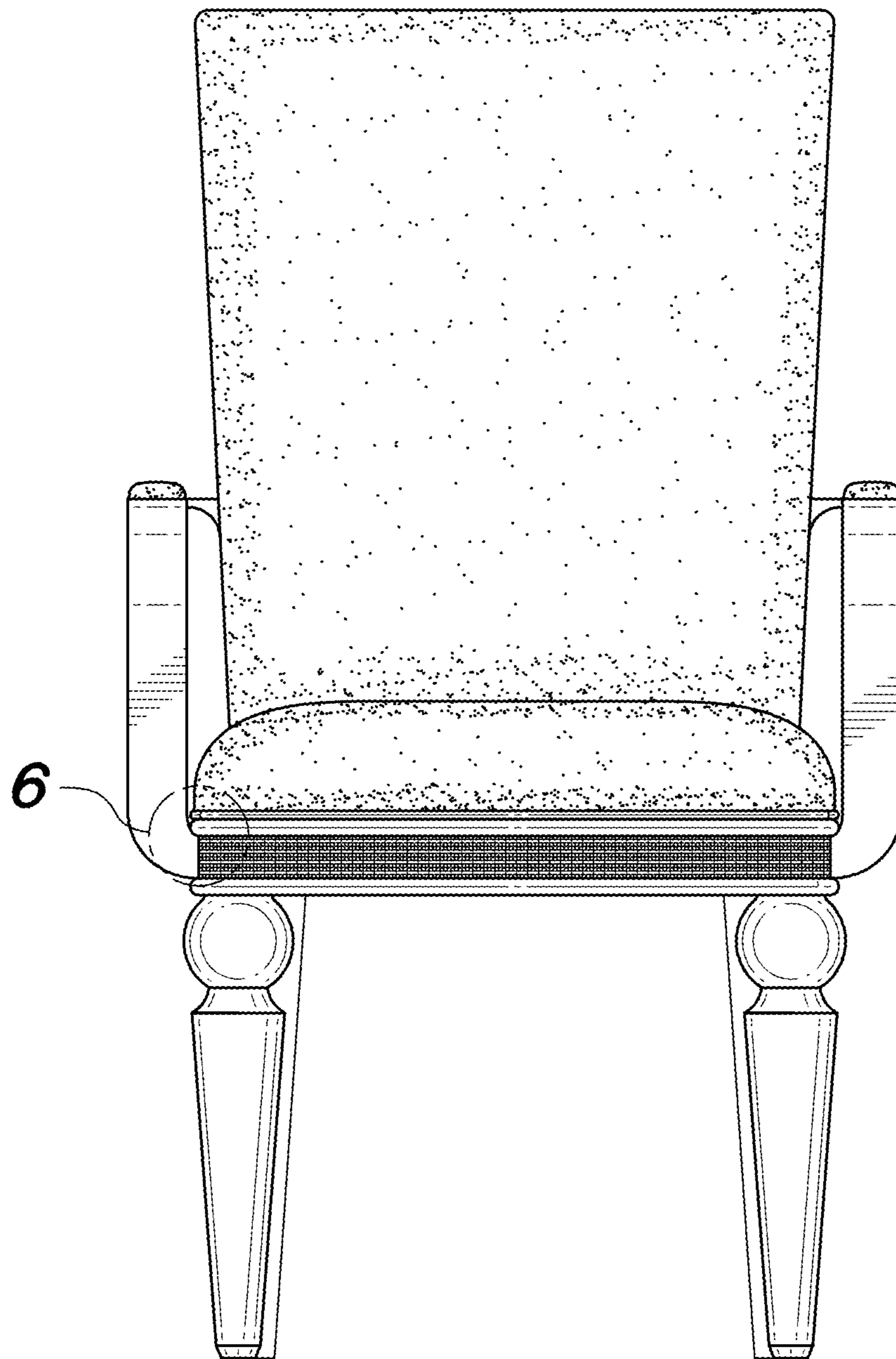


FIG. 2

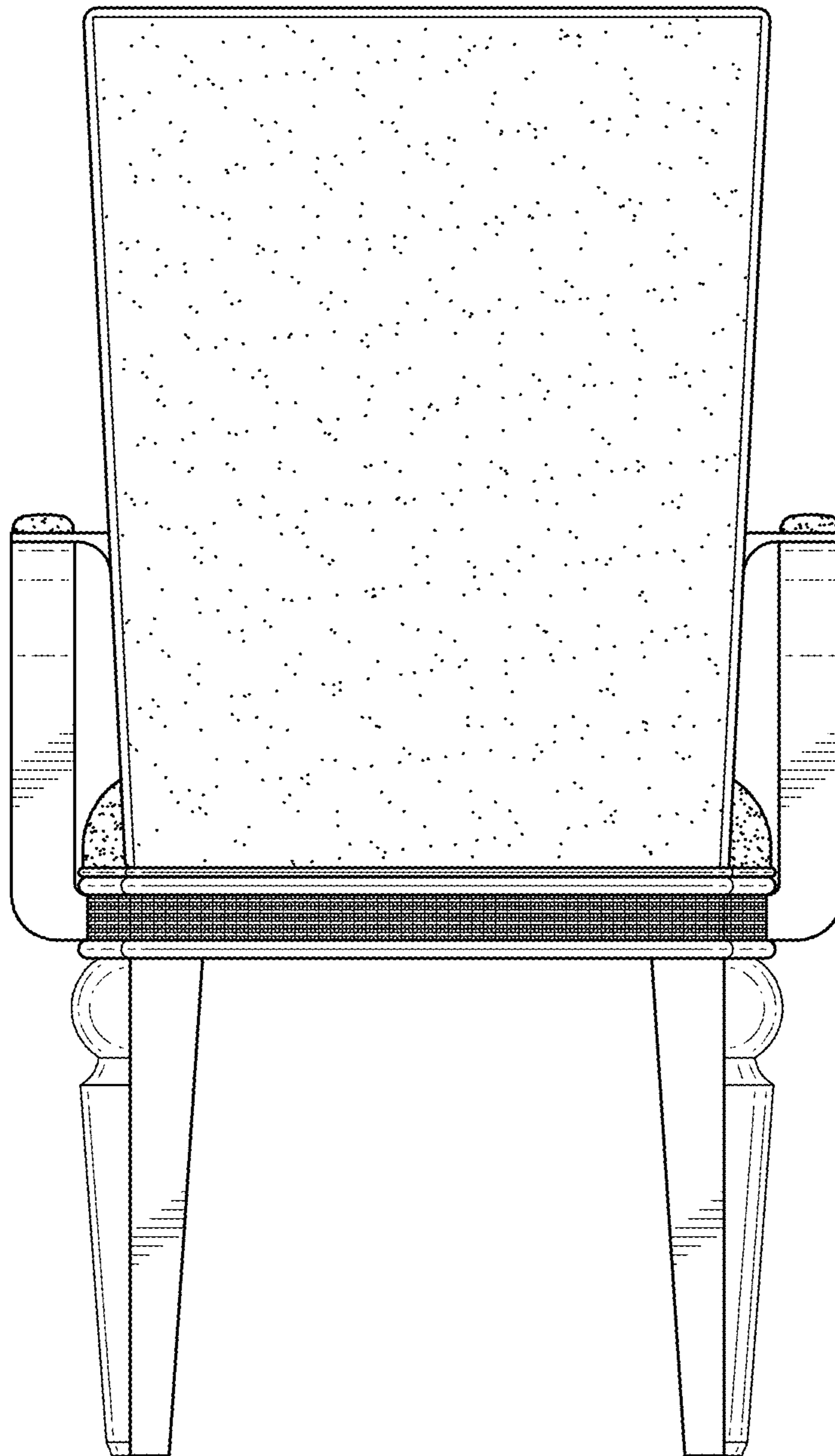


FIG. 3

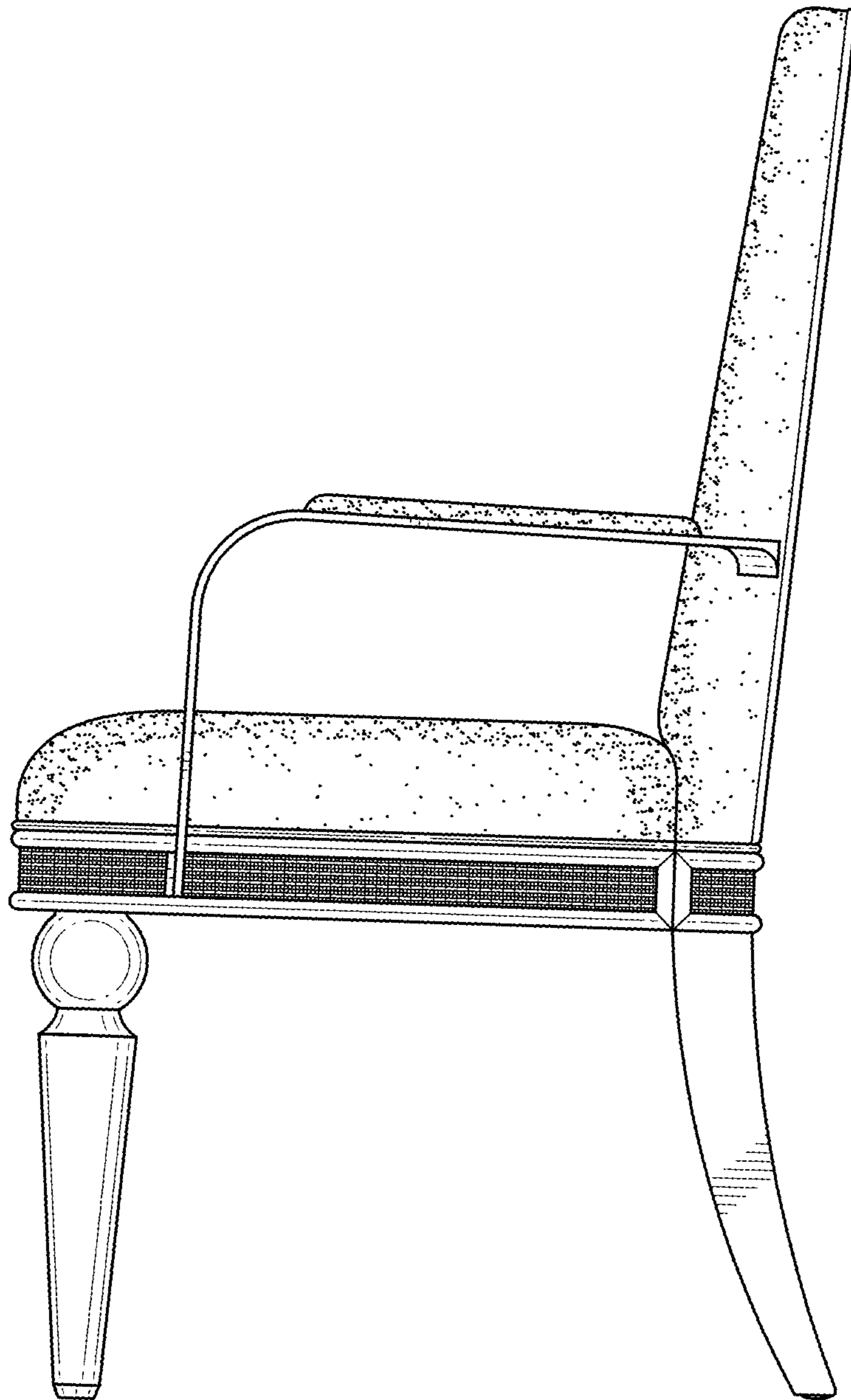


FIG. 4

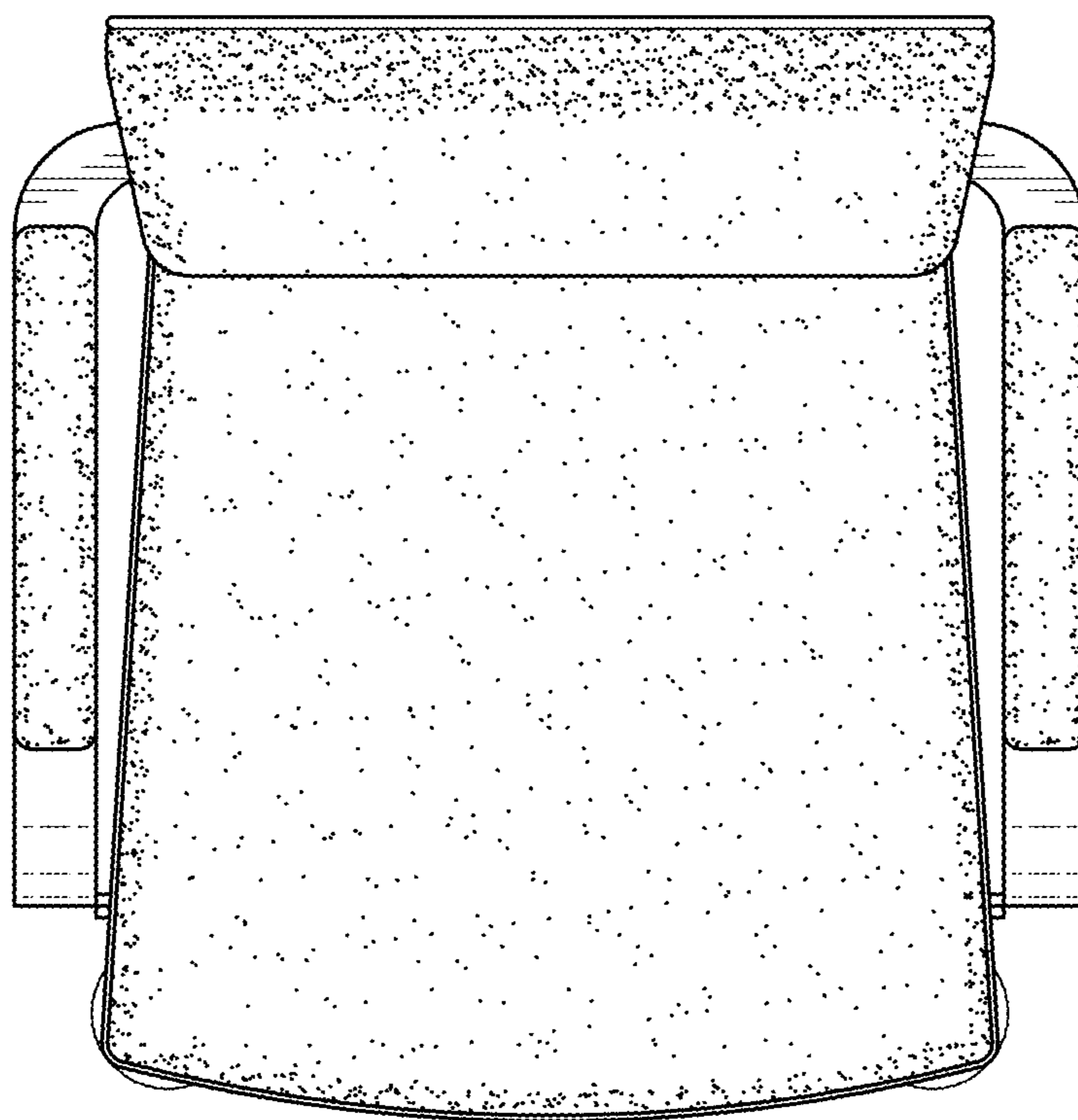


FIG. 5

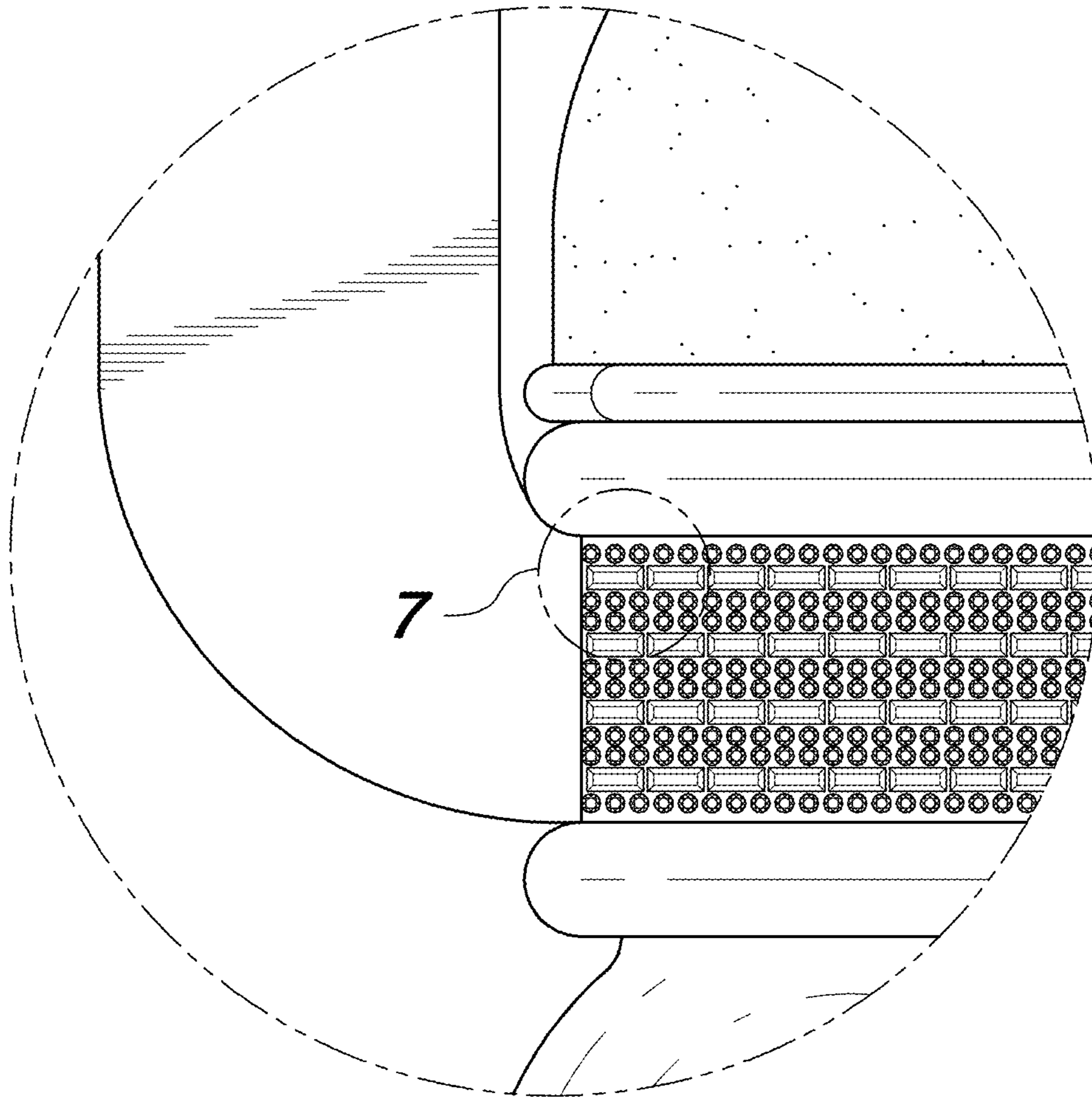


FIG. 6

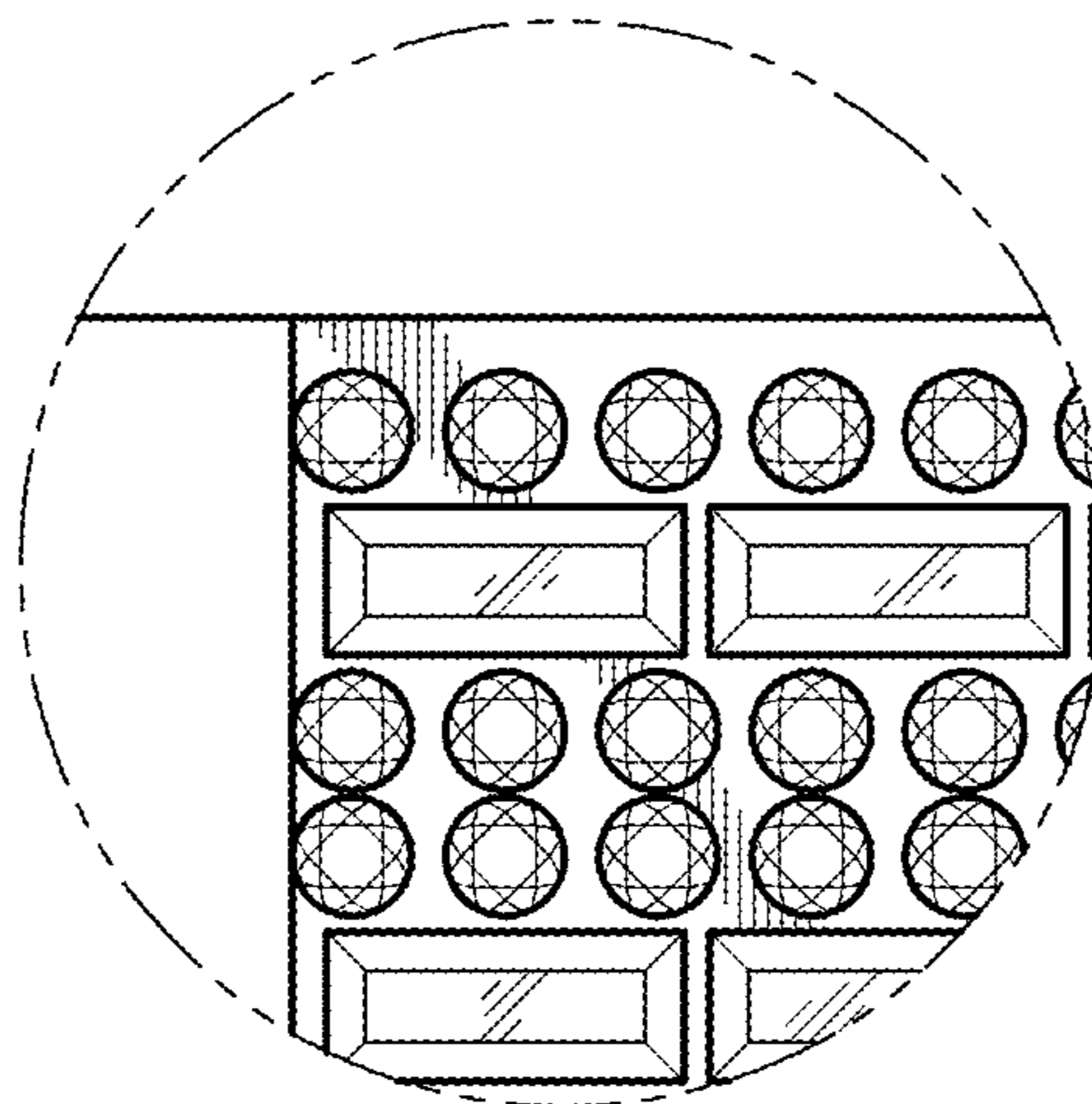


FIG. 7

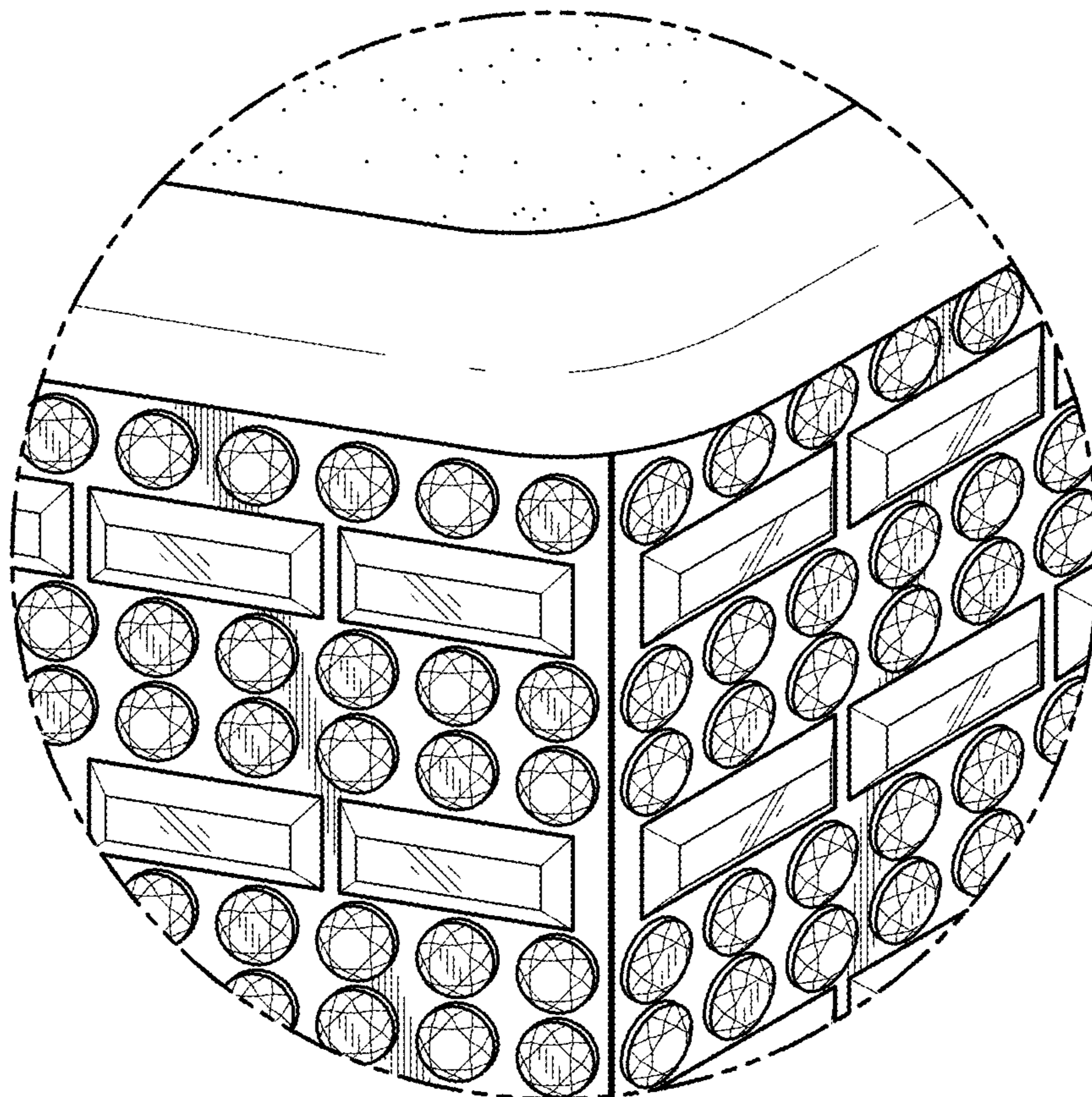


FIG. 8