



US00D812389S

(12) **United States Design Patent**  
**Pong**

(10) **Patent No.:** **US D812,389 S**  
(45) **Date of Patent:** **\*\* Mar. 13, 2018**

(54) **SHOWER CHAIR**

(71) Applicant: **Gang Laang Pong**, Taipei (TW)

(72) Inventor: **Gang Laang Pong**, Taipei (TW)

(\*\*) Term: **15 Years**

(21) Appl. No.: **29/561,683**

(22) Filed: **Apr. 19, 2016**

(51) **LOC (11) Cl.** ..... **06-01**

(52) **U.S. Cl.**  
USPC ..... **D6/374**

(58) **Field of Classification Search**  
USPC ..... D6/349-350, 364-368, 374, 375, 403,  
D6/405, 406.6, 601, 654-654.1,  
D6/678-678.2, 682.1-682.6, 684-686,  
D6/691, 691.8-691.9, 698, 699, 705,  
D6/705.5, 707.19, 708, 708.21, 716;  
297/183.9, 239, 284.4, 344.12, 440.1,  
297/440.24, 452.18, 452.24, 452.26,  
297/452.28, 452.32-33, 452.37  
CPC .... A47C 7/02; A47C 7/44; A47C 7/46; A47C  
7/48; A47C 7/54; A47C 7/386; A47C  
7/462; A47C 1/10; A47C 1/031; B60N  
2/02; B60N 2/22; B60N 2/44  
See application file for complete search history.

(56) **References Cited**

**U.S. PATENT DOCUMENTS**

3,031,227 A \* 4/1962 Van Buren, Jr. .... A47C 3/04  
297/239  
D248,810 S \* 8/1978 Day ..... D6/356  
D355,985 S \* 3/1995 Karten ..... D6/374  
D400,032 S \* 10/1998 Richter ..... D6/716.1  
5,940,905 A \* 8/1999 Cheng ..... A47K 3/122  
4/560.1  
6,089,669 A \* 7/2000 Wilcox ..... A47C 1/12  
297/378.1  
D439,429 S \* 3/2001 Higgs ..... A47K 3/122  
D6/368

D504,243 S \* 4/2005 Begin ..... D6/356  
6,957,865 B1 \* 10/2005 Adams ..... A47B 91/024  
297/344.12  
D519,291 S \* 4/2006 Higgs ..... A47K 3/282  
D6/367  
7,121,620 B1 \* 10/2006 Fang ..... A47C 3/34  
297/183.9  
D550,002 S \* 9/2007 Genord ..... D6/374  
D660,042 S \* 5/2012 Higgs ..... D6/374  
D666,435 S \* 9/2012 Meyers ..... D6/716

(Continued)

**FOREIGN PATENT DOCUMENTS**

DE 102008037439 A1 \* 4/2010 ..... A47C 4/10

**OTHER PUBLICATIONS**

Guilford medical Supply [online] found on Jul. 17, 2017 from URL  
<http://guilfordmedicalsupply.com/bathsafety.html>.\*

(Continued)

*Primary Examiner* — Vy Koenig  
*Assistant Examiner* — Keith Wilson  
(74) *Attorney, Agent, or Firm* — Rosenberg, Klein & Lee

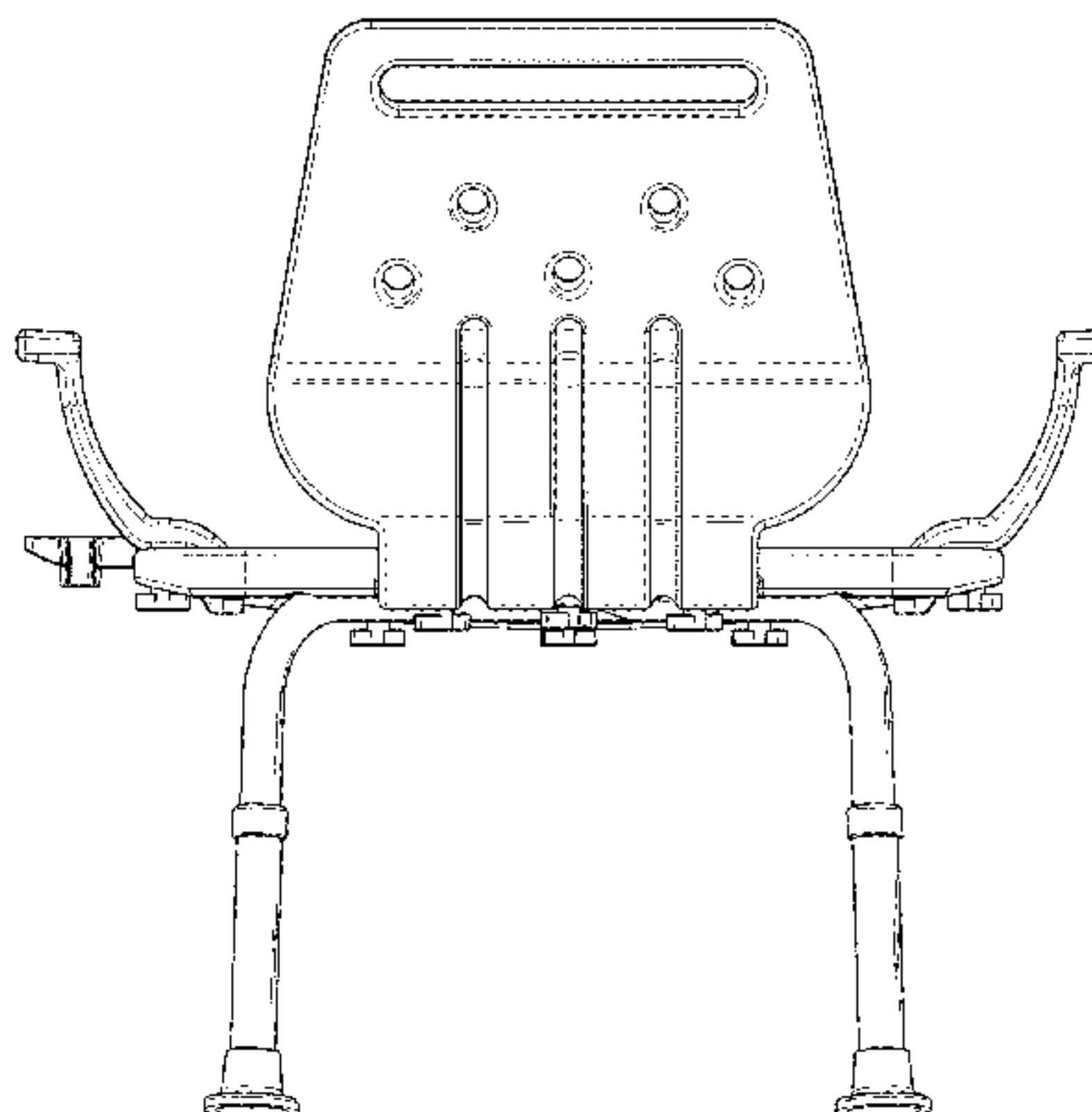
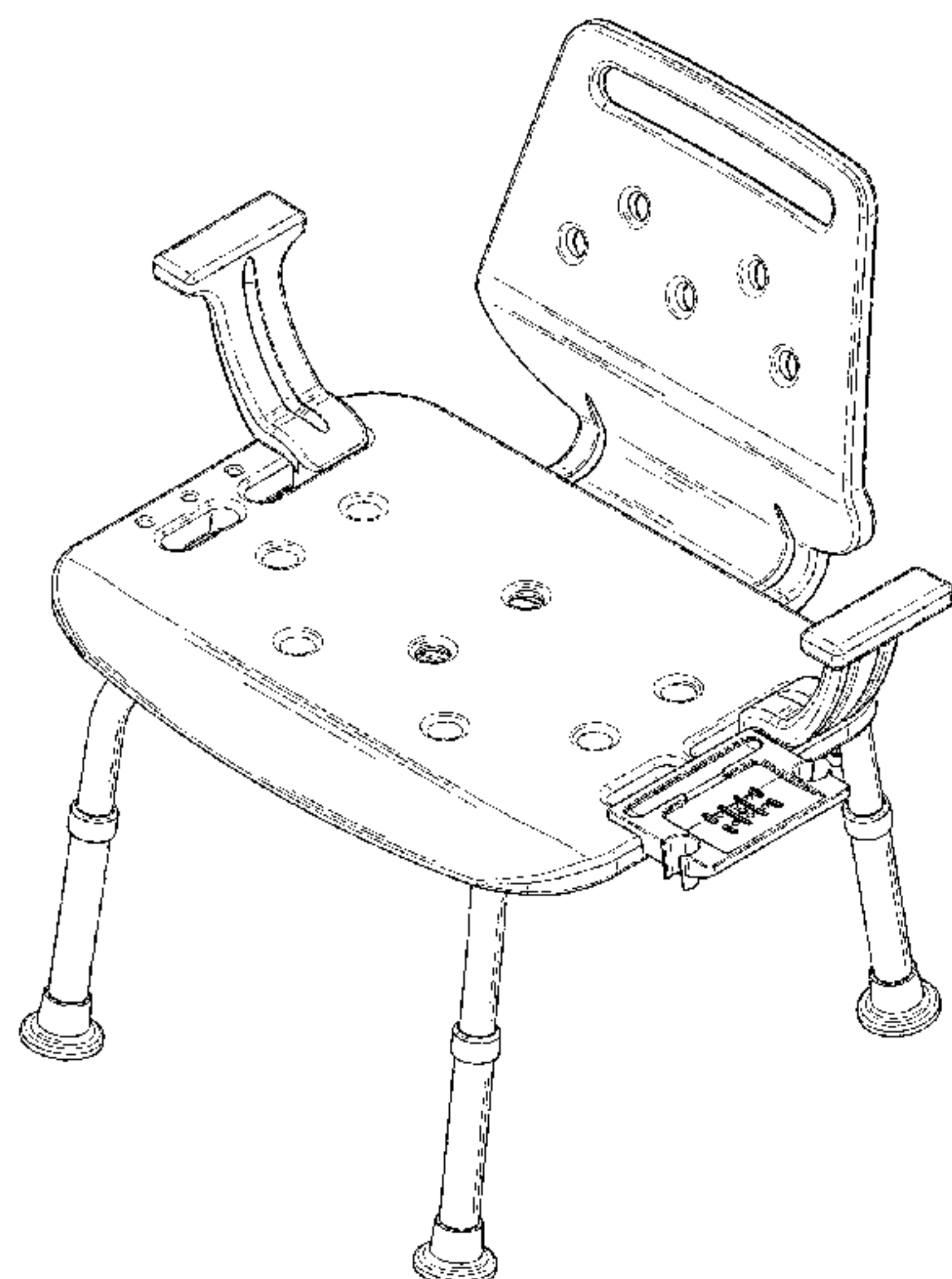
(57) **CLAIM**

The ornamental design for a shower chair, as shown and described.

**DESCRIPTION**

FIG. 1 is a perspective view of the shower chair showing my present design;  
FIG. 2 is a front view thereof;  
FIG. 3 is a rear view thereof;  
FIG. 4 is a left elevational view thereof;  
FIG. 5 is a right elevational view thereof;  
FIG. 6 is a top plan view thereof; and,  
FIG. 7 is a bottom plan view thereof.  
The broken lines depict portions of the shower chair that form no part of the claimed design.

**1 Claim, 7 Drawing Sheets**



(56)

**References Cited**

U.S. PATENT DOCUMENTS

D734,959 S \* 7/2015 Pong ..... D6/601  
D735,495 S \* 8/2015 Pong ..... D6/601  
9,149,160 B2 \* 10/2015 Liu ..... A47K 3/122  
9,662,255 B2 \* 5/2017 Wechter ..... A61G 7/1003  
2004/0051365 A1 \* 3/2004 Darst ..... A47K 3/282  
297/440.1  
2004/0070238 A1 \* 4/2004 Moser ..... A47K 11/12  
297/183.9  
2005/0179304 A1 \* 8/2005 Serhan ..... A47K 3/282  
297/440.24

OTHER PUBLICATIONS

Ucan Health [online] found on Jul. 17, 2017 <http://ucanhealth.com/snap-n-save-shower-chair-with-arms-g62231-62233-62234>.\*

\* cited by examiner

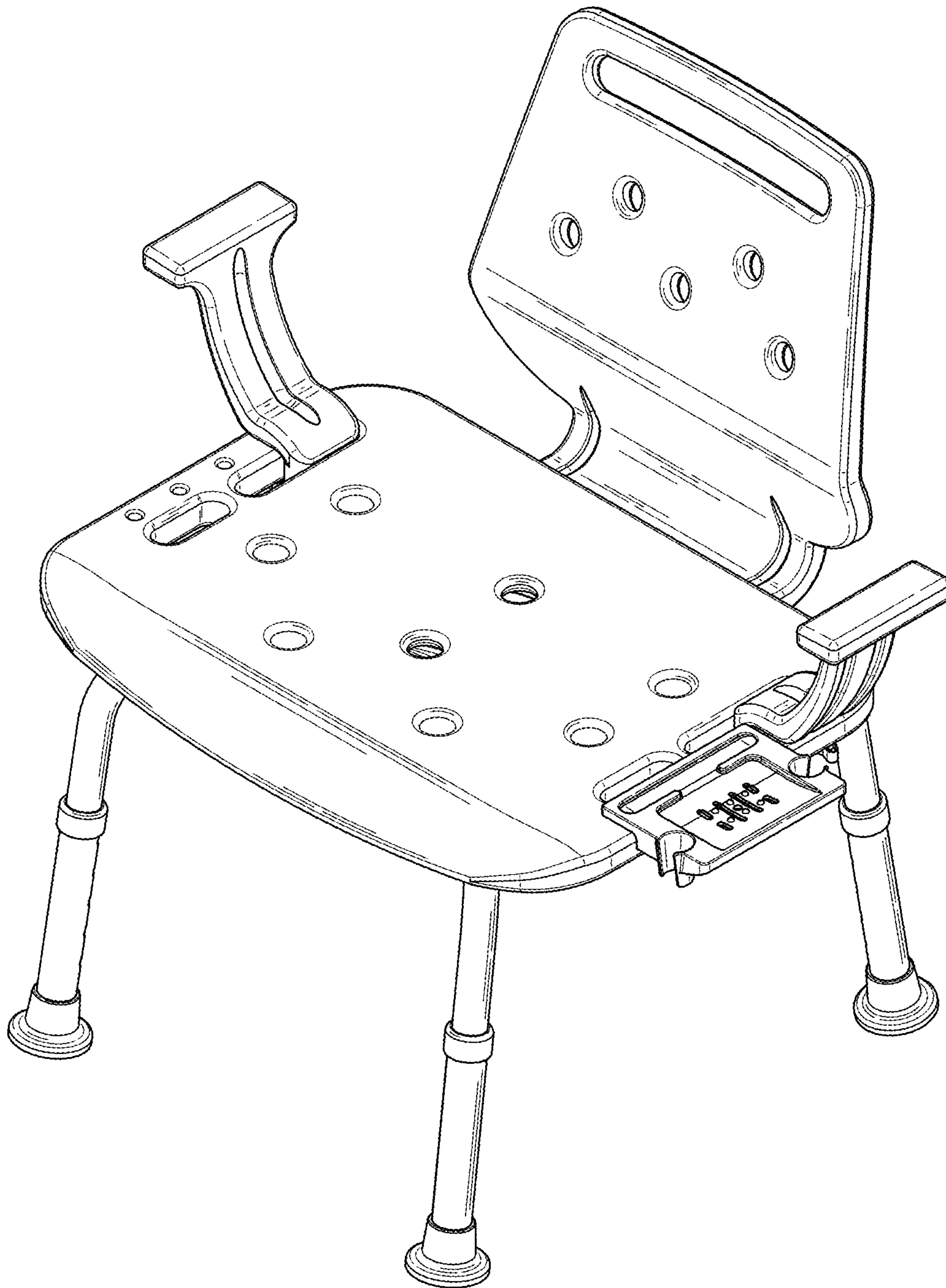


FIG.1

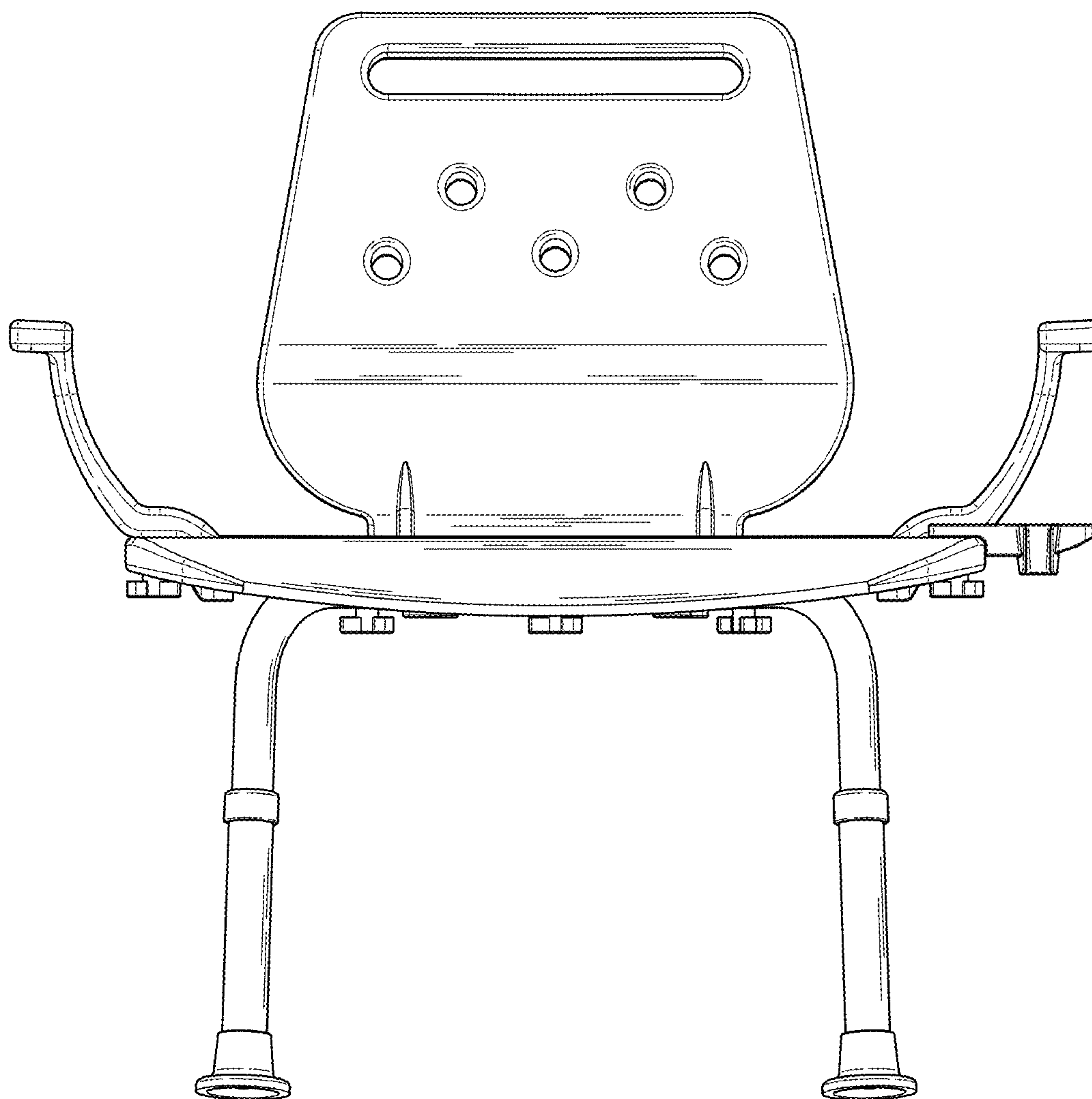


FIG.2



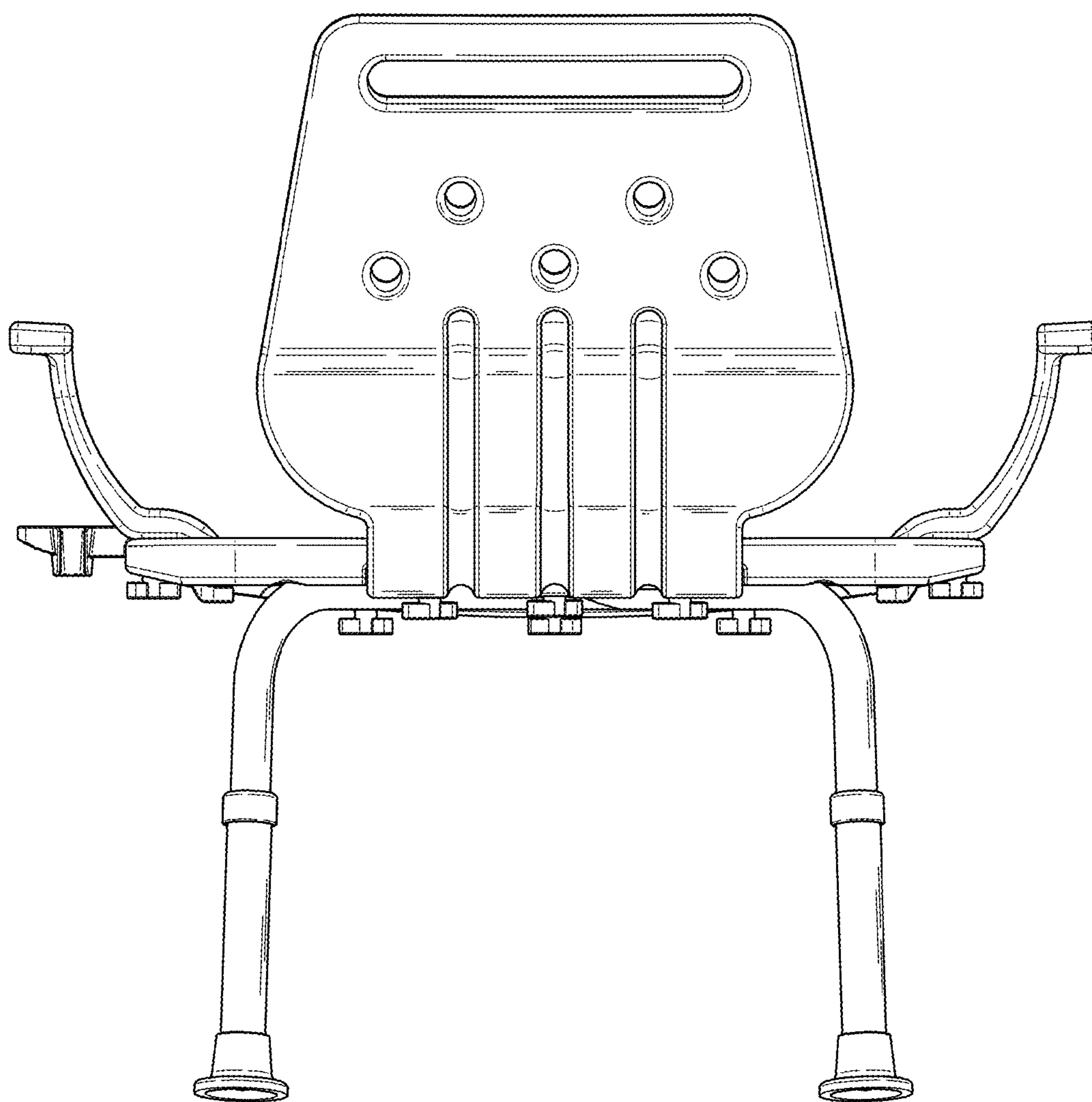


FIG.3

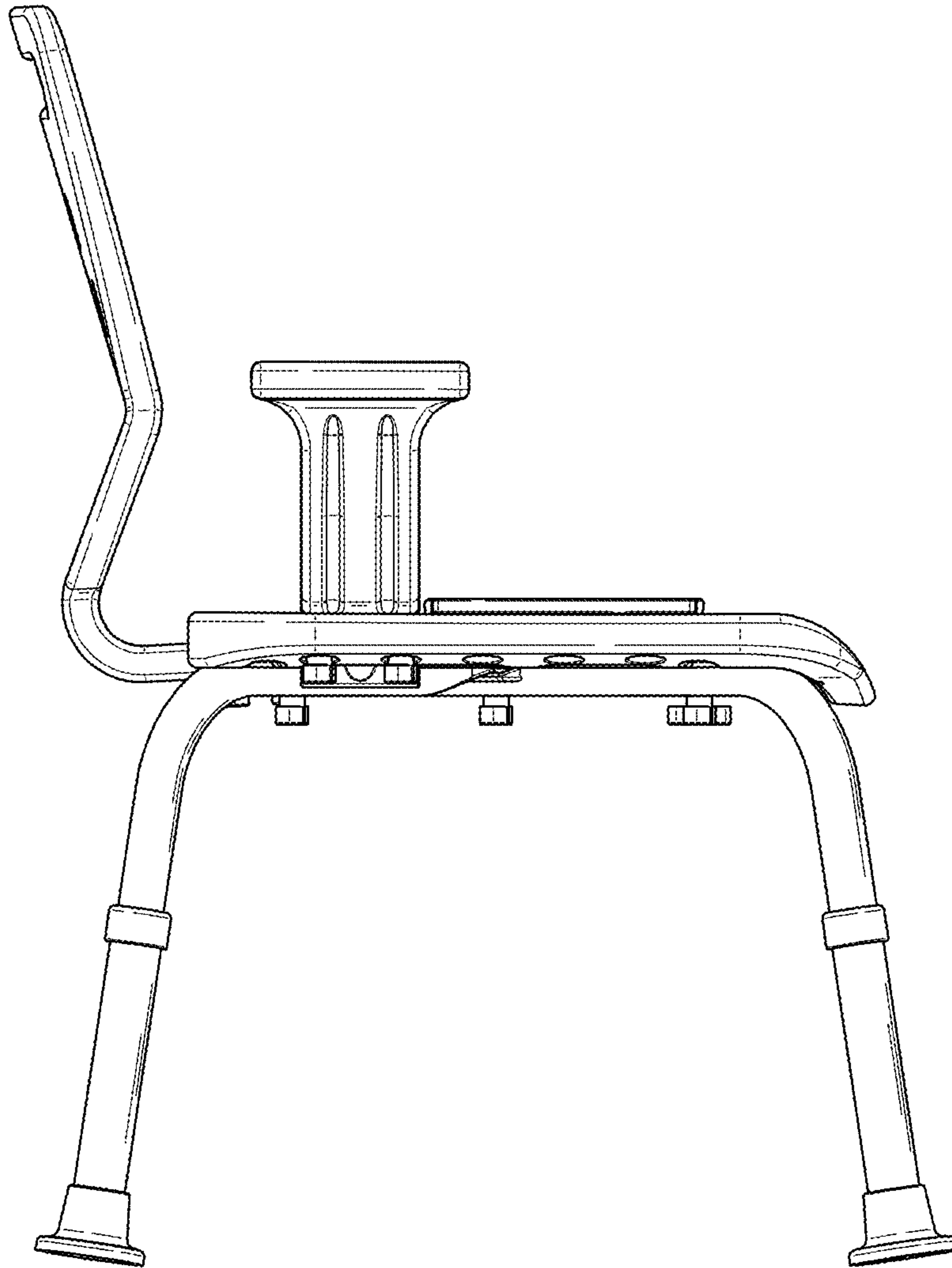


FIG.4

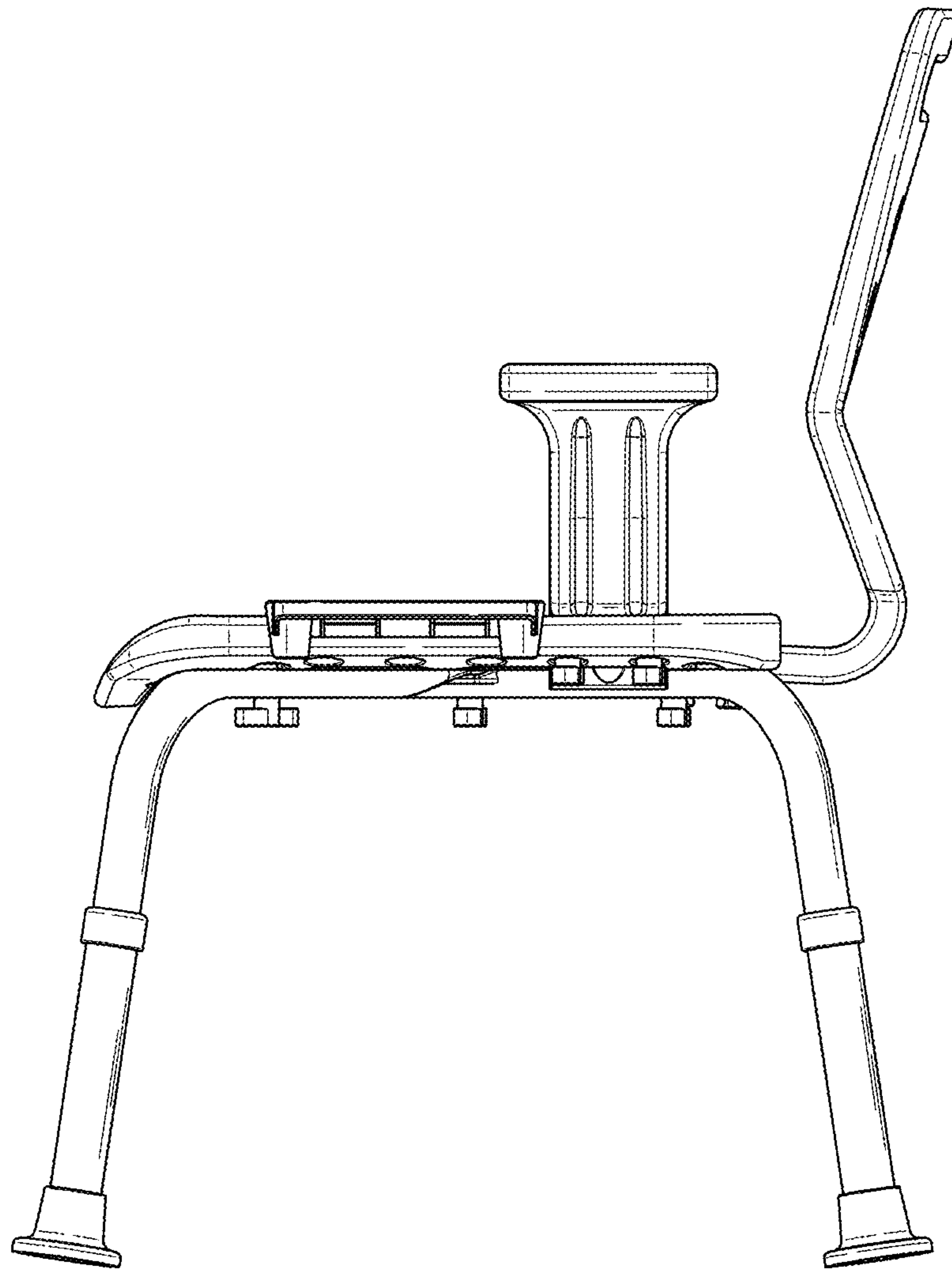


FIG.5

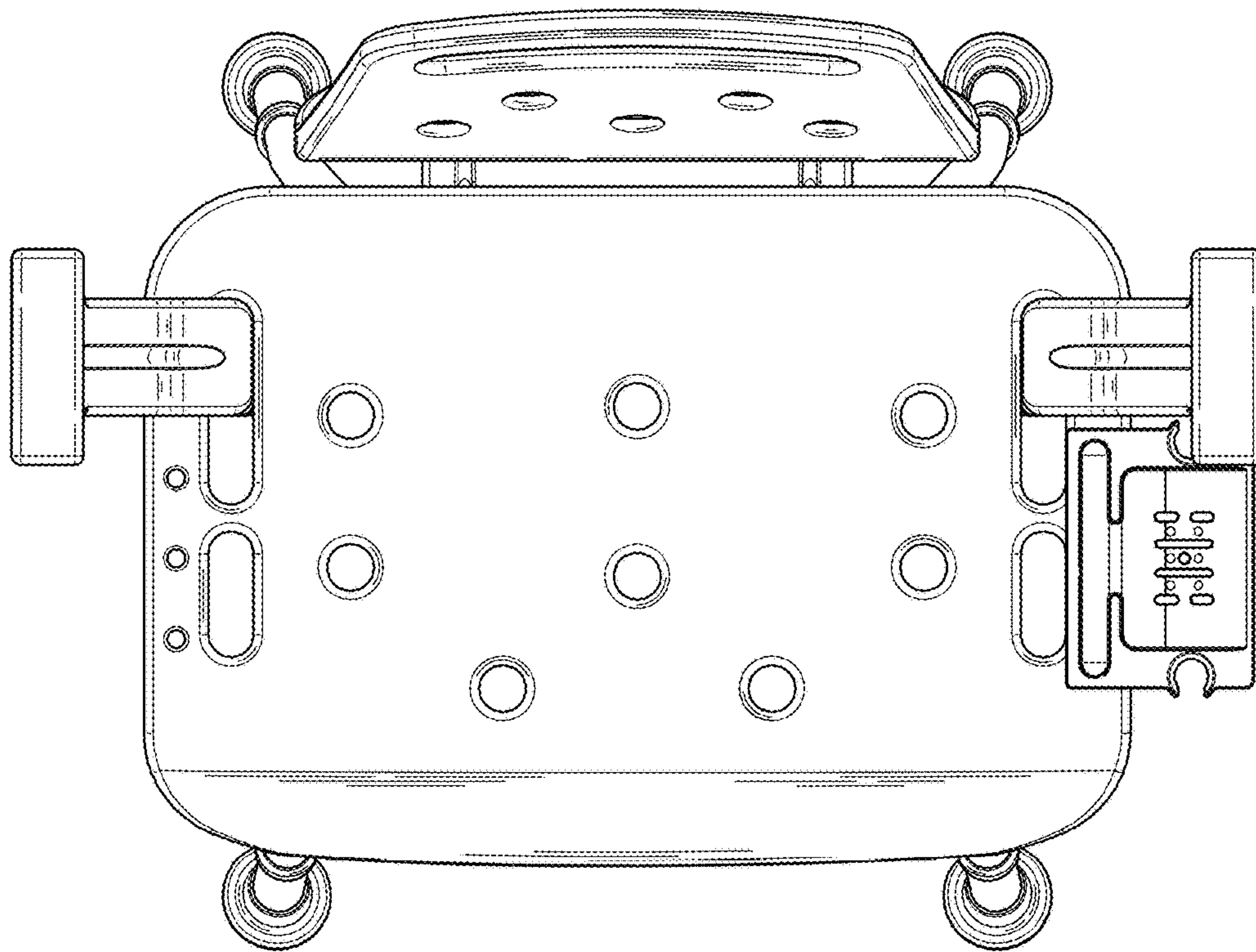


FIG.6



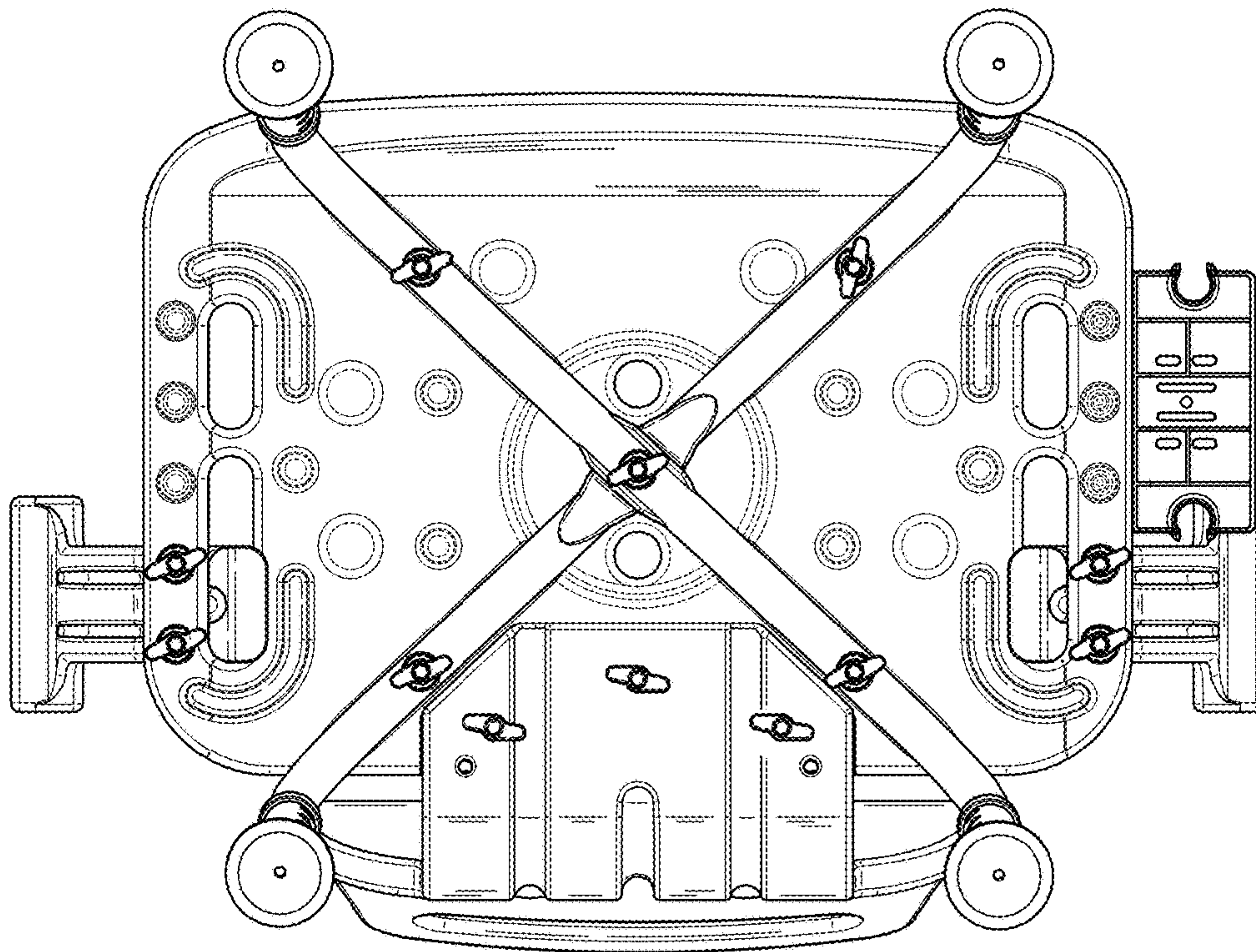


FIG.7