



US00D812387S

(12) **United States Design Patent**
Bahneman et al.

(10) **Patent No.:** **US D812,387 S**
(45) **Date of Patent:** **** Mar. 13, 2018**

(54) **SEATING DEVICE**

(71) Applicant: **SitTight, Inc.**, Newport Beach, CA
(US)

(72) Inventors: **Scott Bahneman**, Newport Beach, CA
(US); **John Brophy**, Newport Beach,
CA (US)

(73) Assignee: **SitTight, Inc.**, Newport Beach, CA
(US)

(**) Term: **15 Years**

(21) Appl. No.: **29/575,632**

(22) Filed: **Aug. 26, 2016**

(51) **LOC (11) Cl.** **06-01**

(52) **U.S. Cl.**
USPC **D6/352**

(58) **Field of Classification Search**
USPC D6/349–353, 358–360, 364–367,
D6/370–371, 374, 403–405, 601,
D6/691–691.9, 692–692.6, 703.6, 703.7,
D6/705, 716.1; D25/62–65
CPC A47C 9/00–9/105; A47C 7/00–7/02; A47C
16/00–16/04; A47B 7/00–7/02; A47B
3/00; A47B 3/02; A47B 3/04; A47B 3/12
See application file for complete search history.

(56) **References Cited**

U.S. PATENT DOCUMENTS

D109,674 S *	5/1938	Ranko	D6/352
D283,856 S *	5/1986	Elmaleh	D6/349
D292,147 S *	10/1987	Lomedico	D6/349
D313,896 S *	1/1991	Kaye	D6/360
D428,721 S *	8/2000	Jenkins	D6/364
D458,765 S *	6/2002	Barbieri	D6/349
D523,251 S *	6/2006	Parpala	D6/352
D581,705 S *	12/2008	Li	D6/692.3

D595,969 S *	7/2009	Hanusiak	D6/349
D651,422 S *	1/2012	Unterrainer	D6/349
D668,464 S *	10/2012	Du	D6/353
D671,772 S *	12/2012	Lee	D6/692.3
D683,975 S *	6/2013	Starck	D6/349
D686,829 S *	7/2013	Elmaleh	D6/352
D721,526 S *	1/2015	Bosman	D6/692.3
D741,073 S *	10/2015	Keen	D6/349
D745,287 S *	12/2015	Chadwick	D6/352
D746,073 S *	12/2015	Elmaleh	D6/349

(Continued)

OTHER PUBLICATIONS

SitTight. [online] Retrieved Jul. 7, 2017 from URL: <https://sittight.com/>.*

(Continued)

Primary Examiner — Vy N Koenig

(74) *Attorney, Agent, or Firm* — Smyrski Law Group, A P.C.

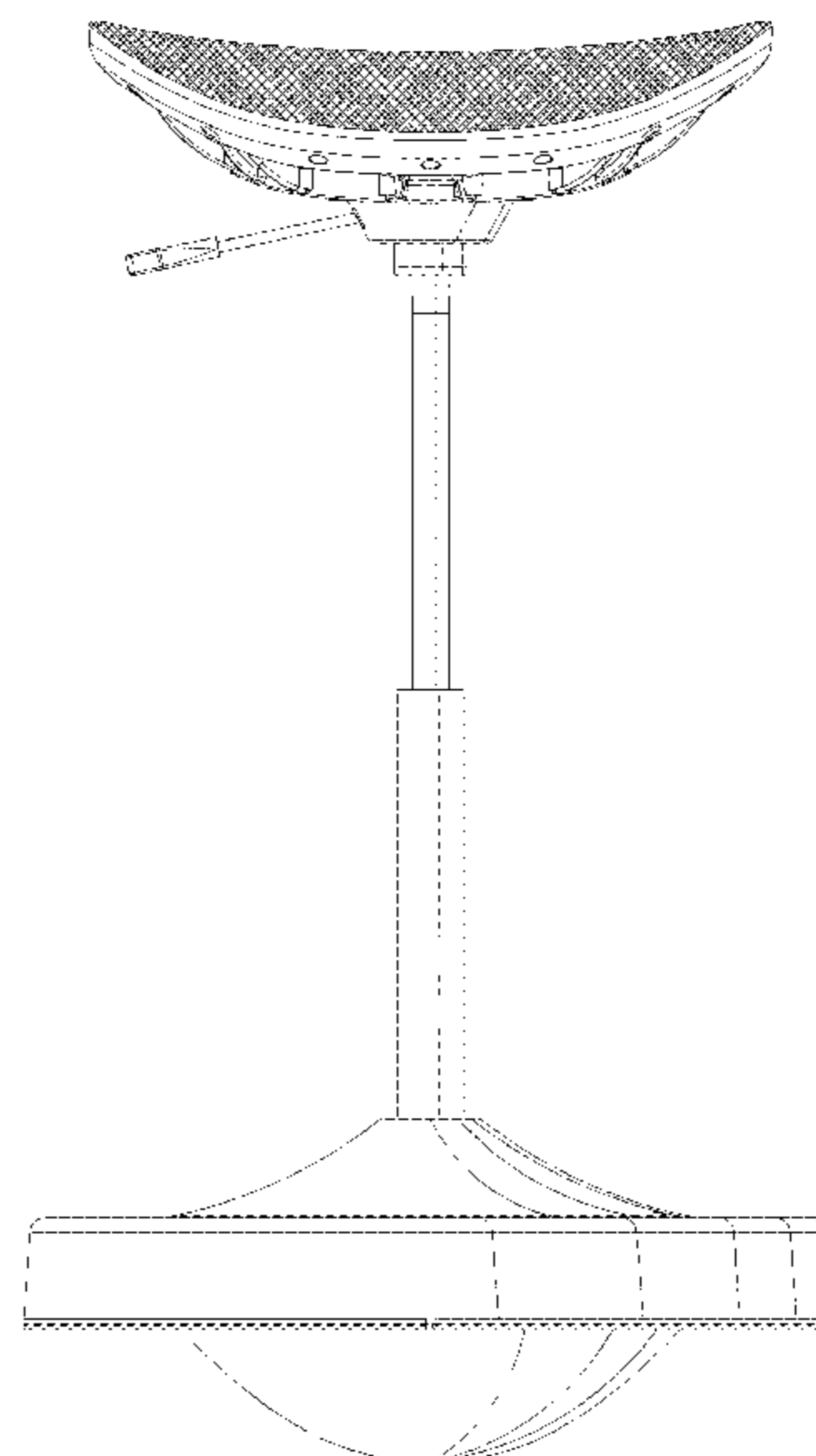
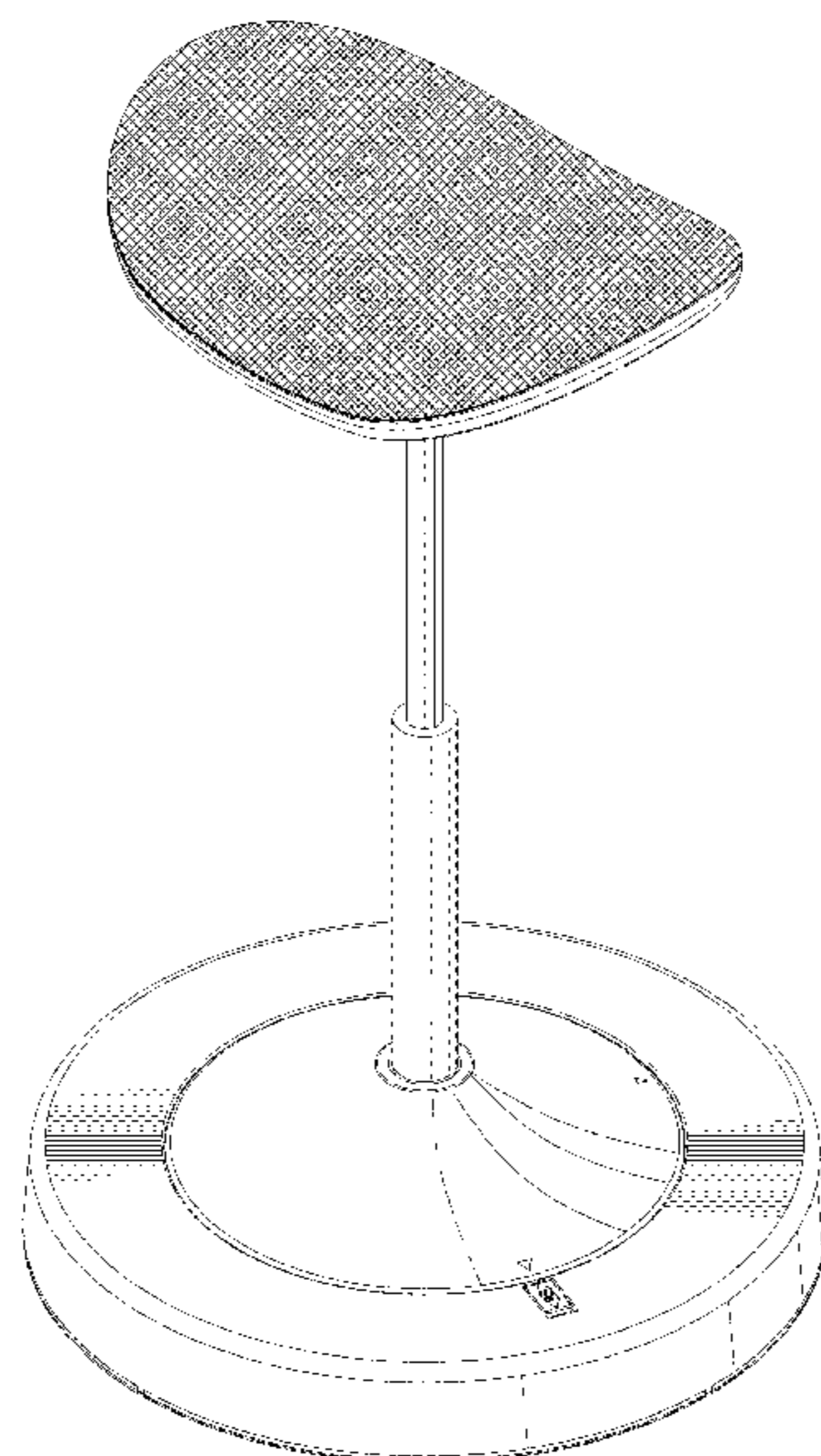
(57) **CLAIM**

The ornamental design for a seating device, as shown and described.

DESCRIPTION

FIG. 1 is a top perspective view showing the top, front, and right sides of a seating device;
FIG. 2 is a bottom perspective view showing the bottom, rear, and left sides of the seating device;
FIG. 3 is a front elevation view of the seating device;
FIG. 4 is a rear elevation view of the seating device;
FIG. 5 is a right side elevation view of the seating device;
FIG. 6 is a left side elevation view of the seating device;
FIG. 7 is a top plan view of the seating device; and,
FIG. 8 is a bottom plan view of the seating device.
The broken lines in the drawings depict portions of the seating device that form no part of the claimed design.

1 Claim, 7 Drawing Sheets



(56)

References Cited

U.S. PATENT DOCUMENTS

D748,924 S * 2/2016 Walser D6/352
D764,200 S * 8/2016 Elmaleh D6/349

OTHER PUBLICATIONS

Kontorstol Back App 2. [online] Published on Feb. 18, 2016.
Retrieved Jul. 6, 2017 from URL: <https://www.daaarbak.dk/kontorstol-back-app-20-soelvgraa-stel-roed-kugle-66405.aspx>.
Varier Move Ergonomic Stool Office Chairs USA. [online]
Retrieved Jul. 6, 2017 from URL: https://officechairsusa.com/varier-move-ergonomic-stool-quickship/?gclid=CKDI3PTS9NQCFUHWdQod_1sOdA#sthash.R4uteSsQ.dpbs.

* cited by examiner

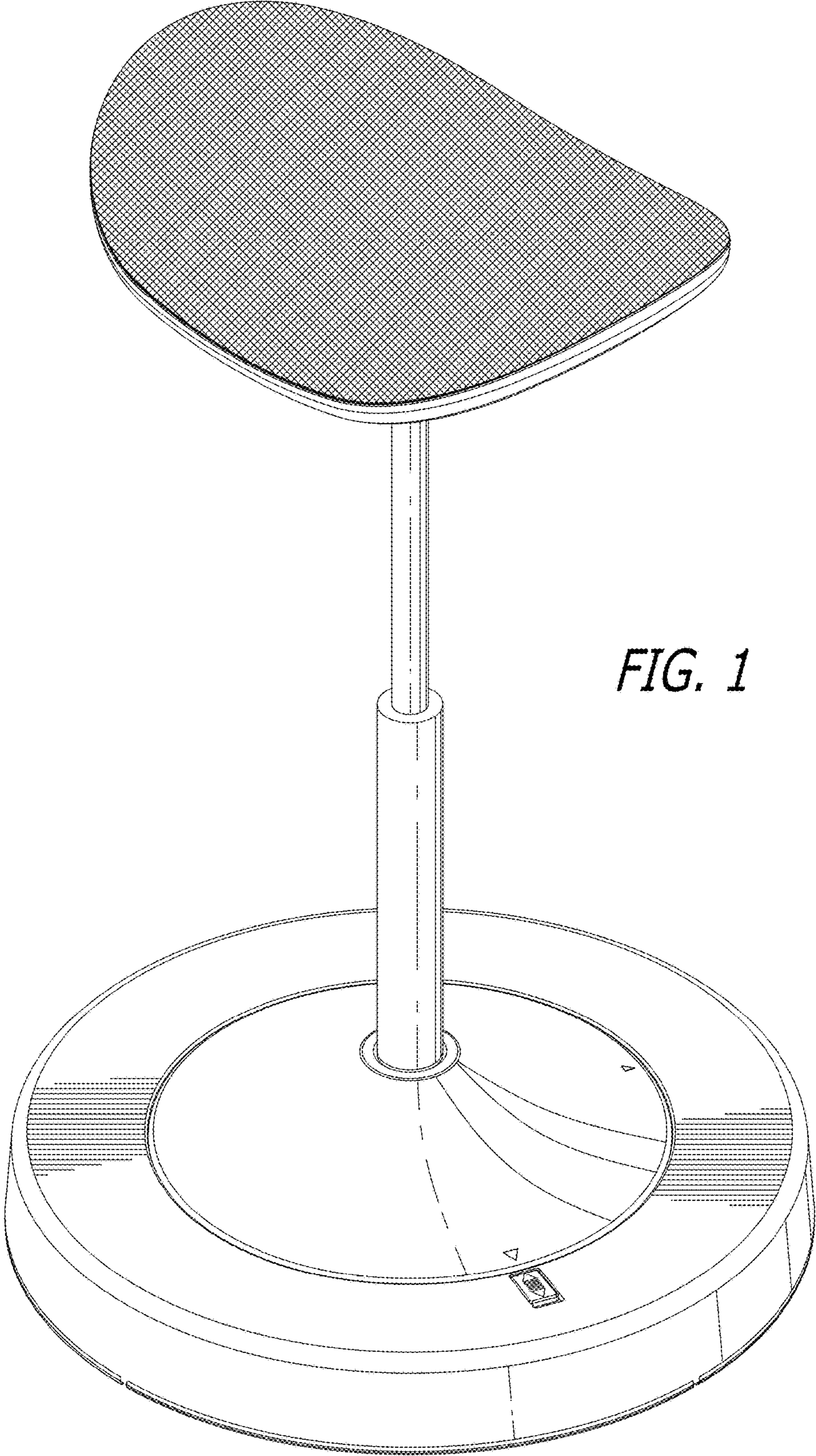
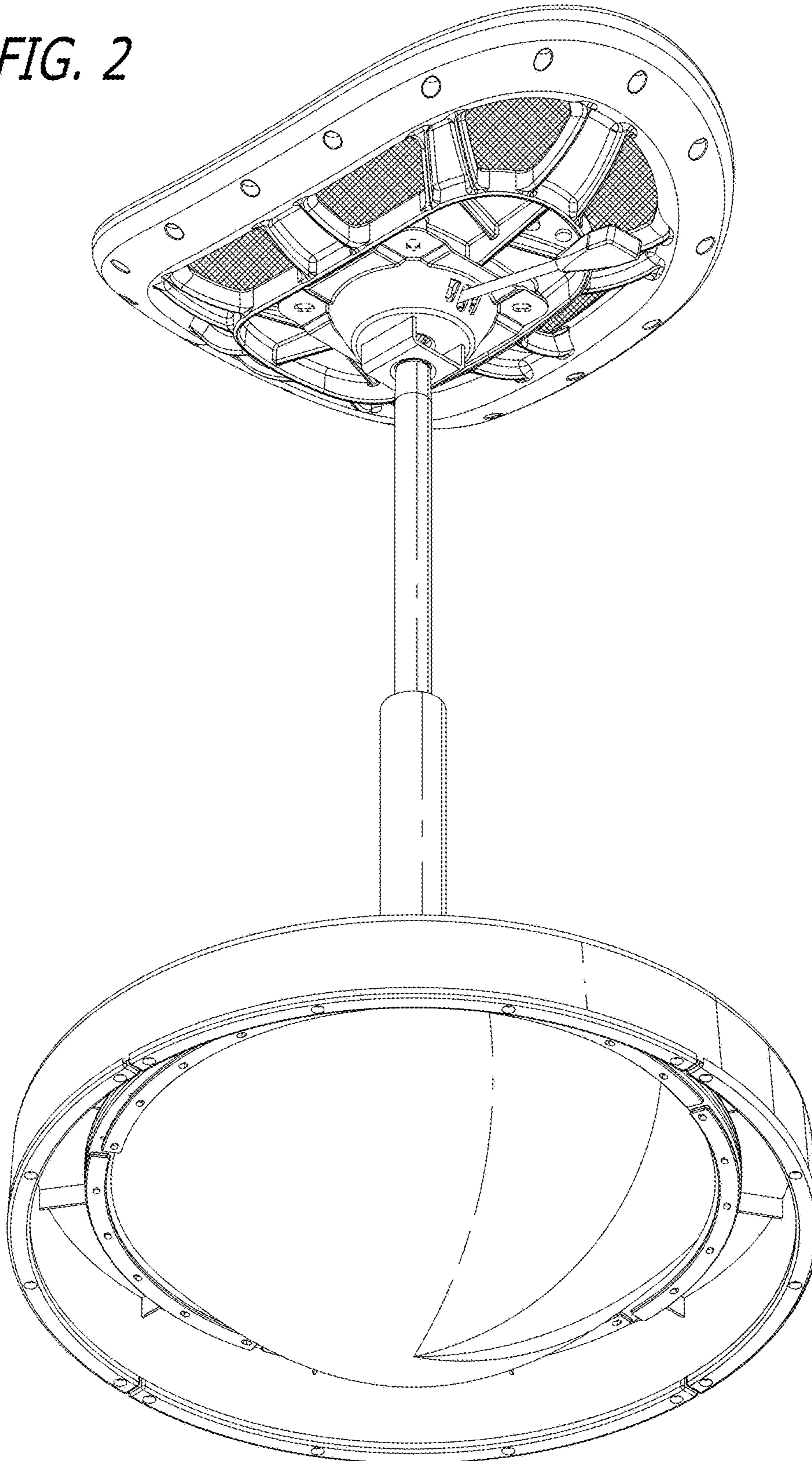


FIG. 1

FIG. 2



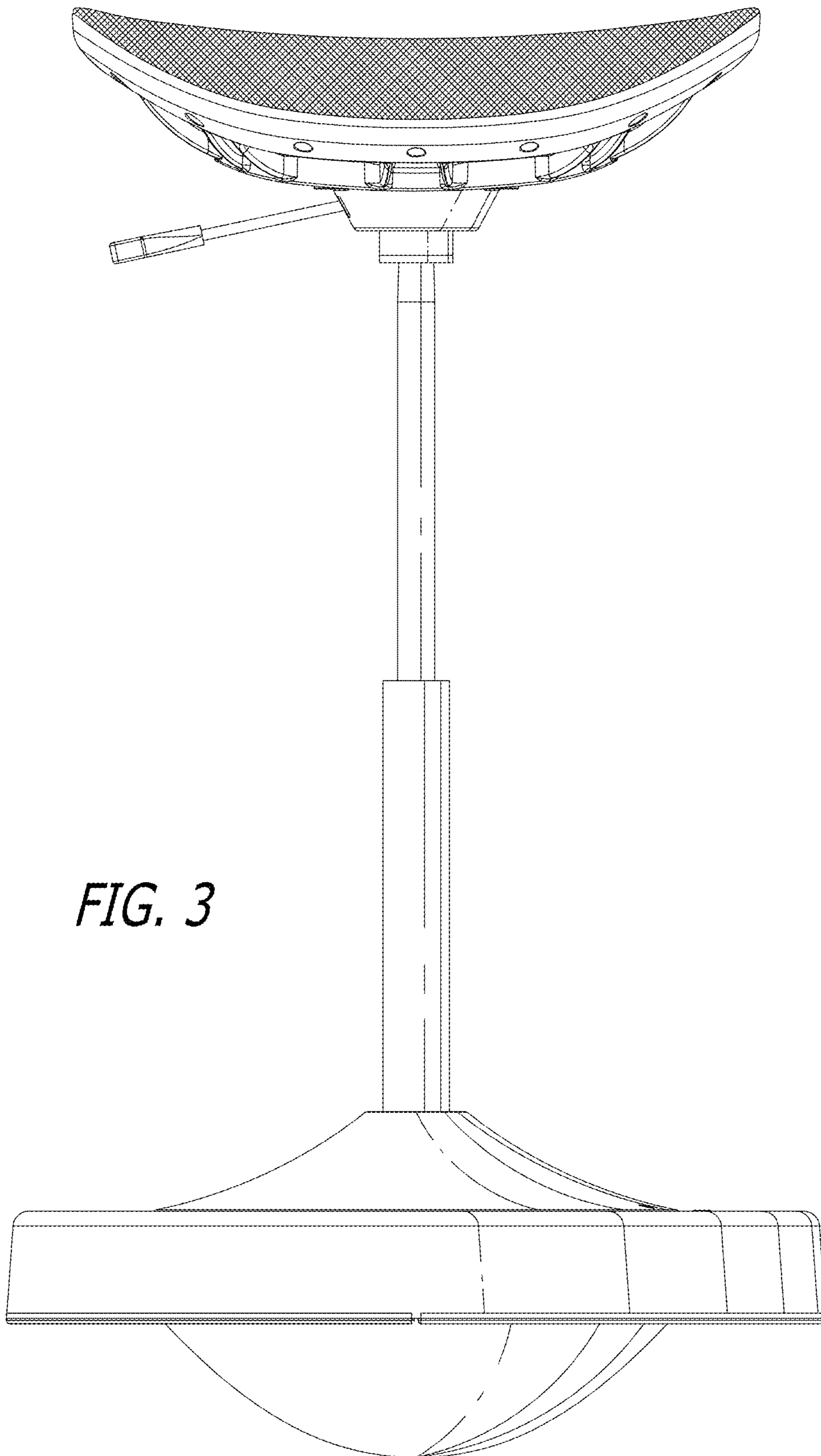


FIG. 3

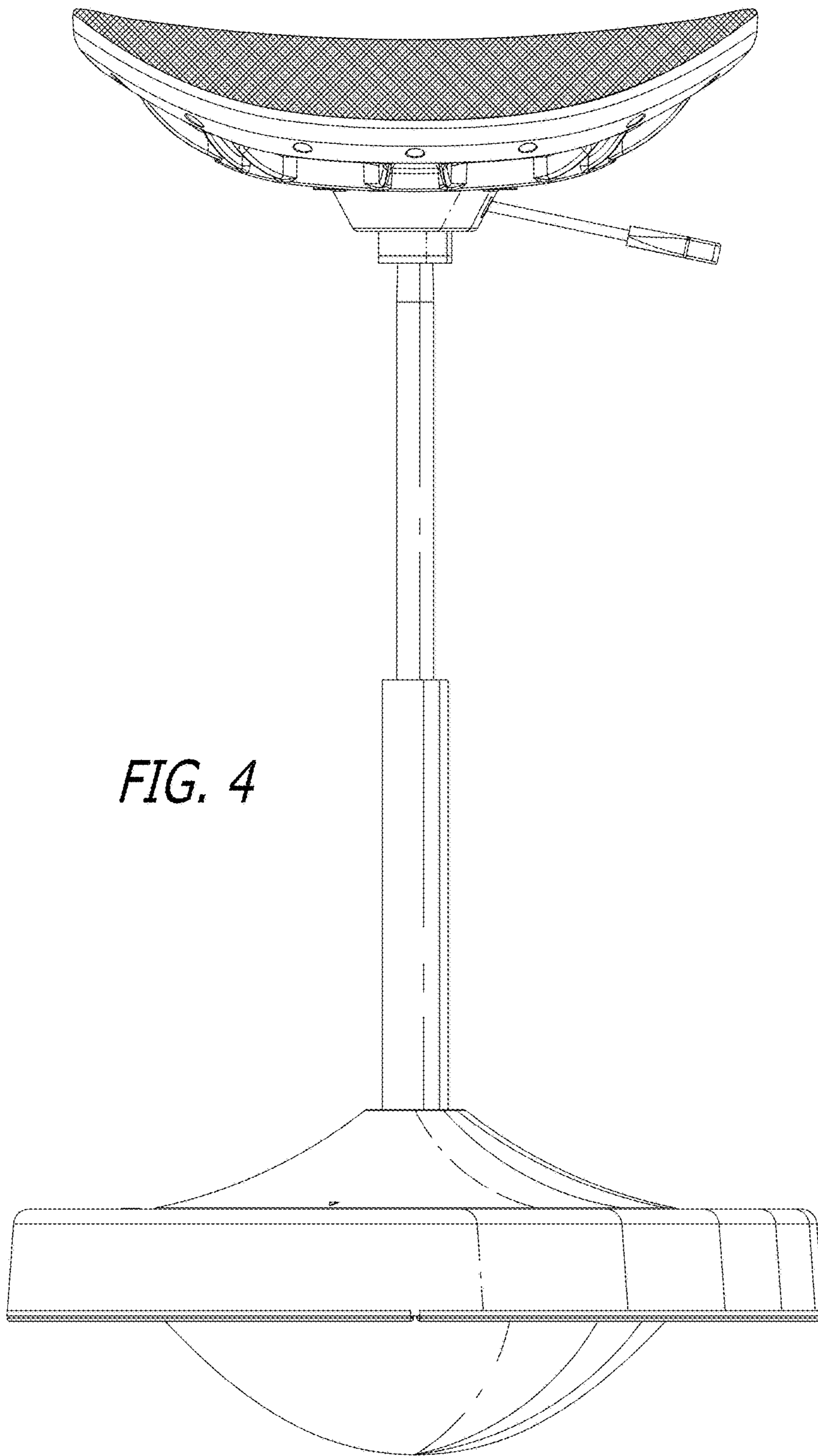


FIG. 4

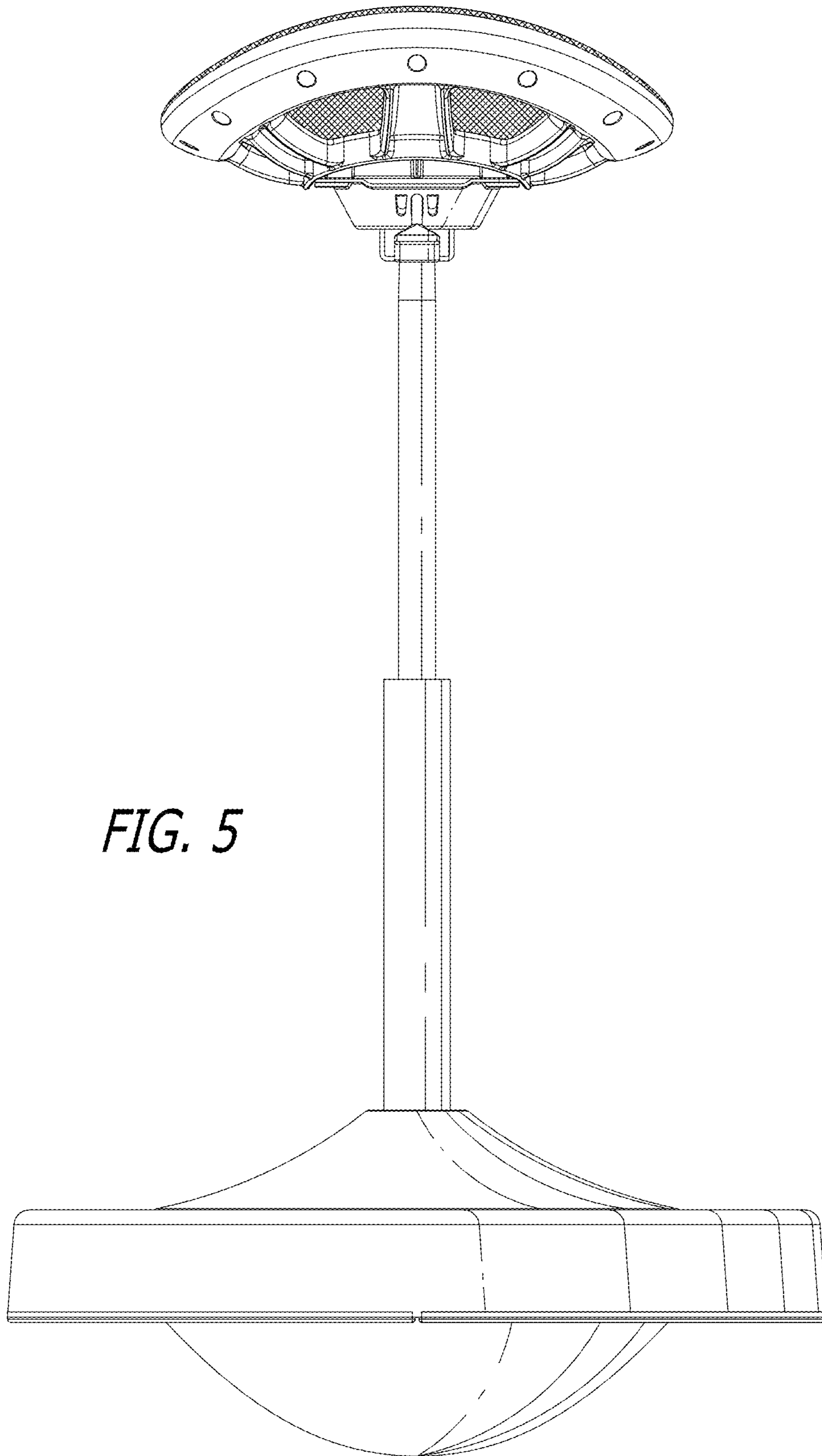


FIG. 5

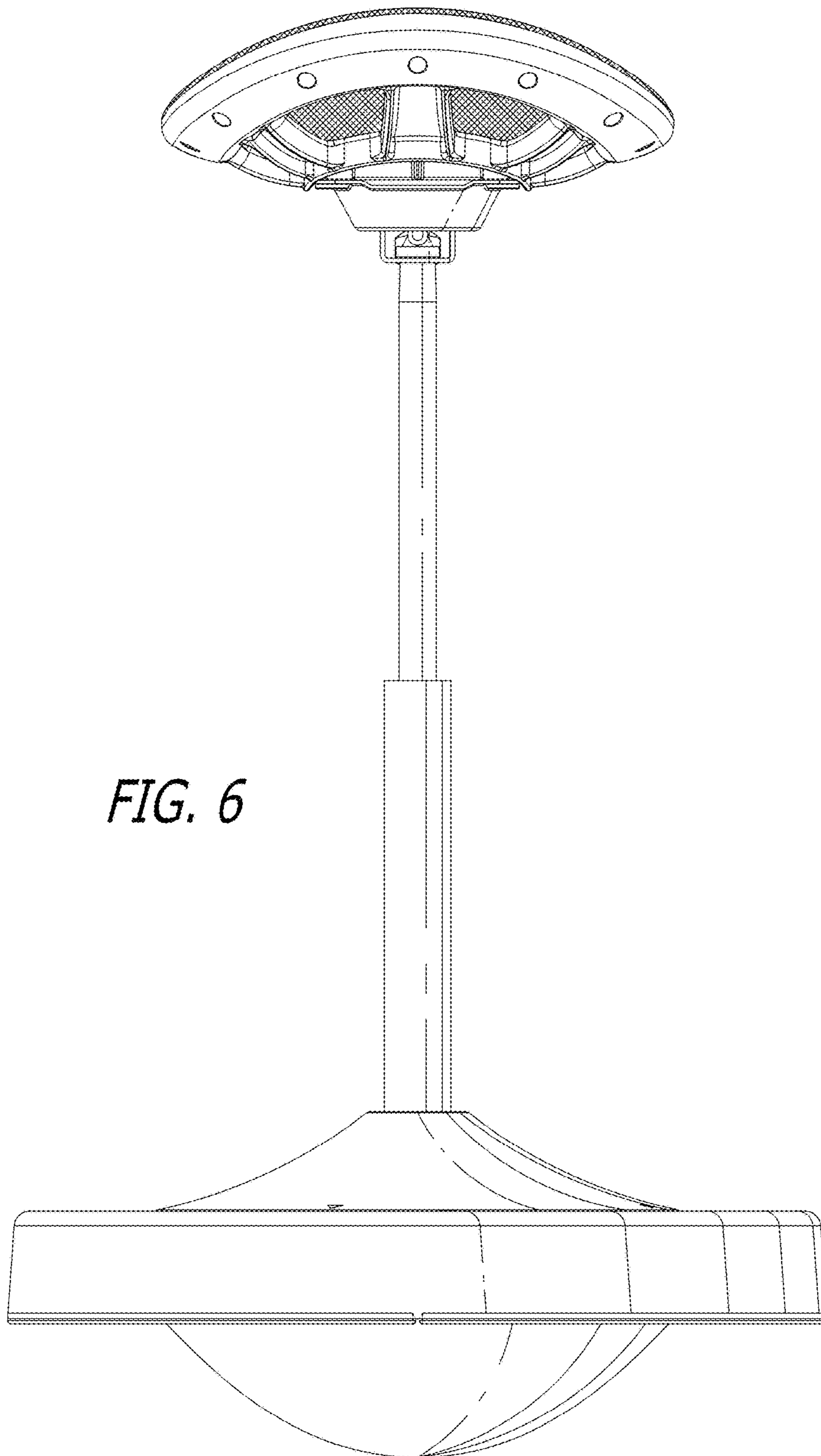


FIG. 6

FIG. 7

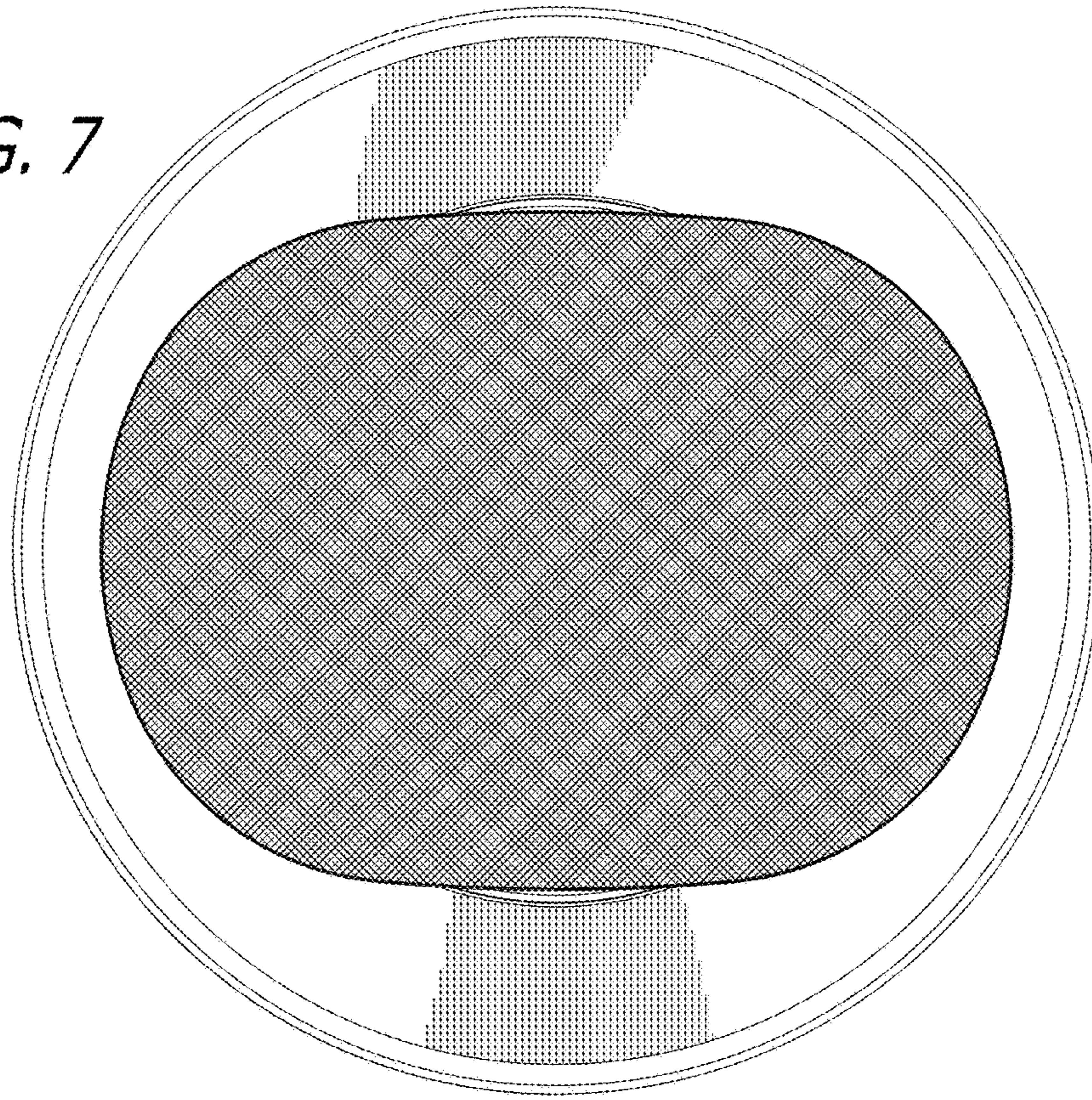


FIG. 8

