



US00D812386S

(12) **United States Design Patent**
Asner

(10) **Patent No.:** **US D812,386 S**
(45) **Date of Patent:** **** Mar. 13, 2018**

- (54) **PICNIC TABLE**
- (71) Applicant: **COUNTRY CASUAL TEAK, INC.**,
Gaithersburg, MD (US)
- (72) Inventor: **Kimberly E. Asner**, Baltimore, MD
(US)
- (73) Assignee: **Country Casual Teak, Inc.**,
Gaithersburg, MD (US)
- (**) Term: **15 Years**
- (21) Appl. No.: **29/595,687**
- (22) Filed: **Mar. 1, 2017**
- (51) **LOC (11) Cl.** **06-01**
- (52) **U.S. Cl.**
USPC **D6/337**
- (58) **Field of Classification Search**
USPC D6/334-337, 349, 357, 370, 381, 642,
D6/644
CPC A47B 3/14; A47B 83/02; A47B 37/04
See application file for complete search history.

D241,692 S *	10/1976	Gerber	D6/337
D248,903 S *	8/1978	O'Connor	D6/337
D266,376 S *	10/1982	Musgrove	D6/337
D327,778 S *	7/1992	Crawford	D6/337
D416,693 S *	11/1999	Kovalchek	D6/337
D429,903 S *	8/2000	Iannaccone	D6/337
D435,736 S *	1/2001	Chrisco	D6/336
D439,422 S *	3/2001	Hecht	D6/336
D481,210 S *	10/2003	Chipman	D6/349
D490,992 S *	6/2004	Thomas	D6/337
D493,291 S *	7/2004	Thomas	D6/337
D714,565 S *	10/2014	Davis	D6/370
D718,541 S *	12/2014	Pedersen	D6/337
D724,341 S *	3/2015	Mila Valcarcel	D6/370
D796,859 S *	9/2017	Asner	D6/370
D798,073 S *	9/2017	Asner	D6/349
D798,076 S *	9/2017	Asner	D6/370

* cited by examiner

Primary Examiner — Deanna L Pratt

(74) *Attorney, Agent, or Firm* — Rosenberg, Klein & Lee

(57) **CLAIM**

The ornamental design for a picnic table, as shown and described.

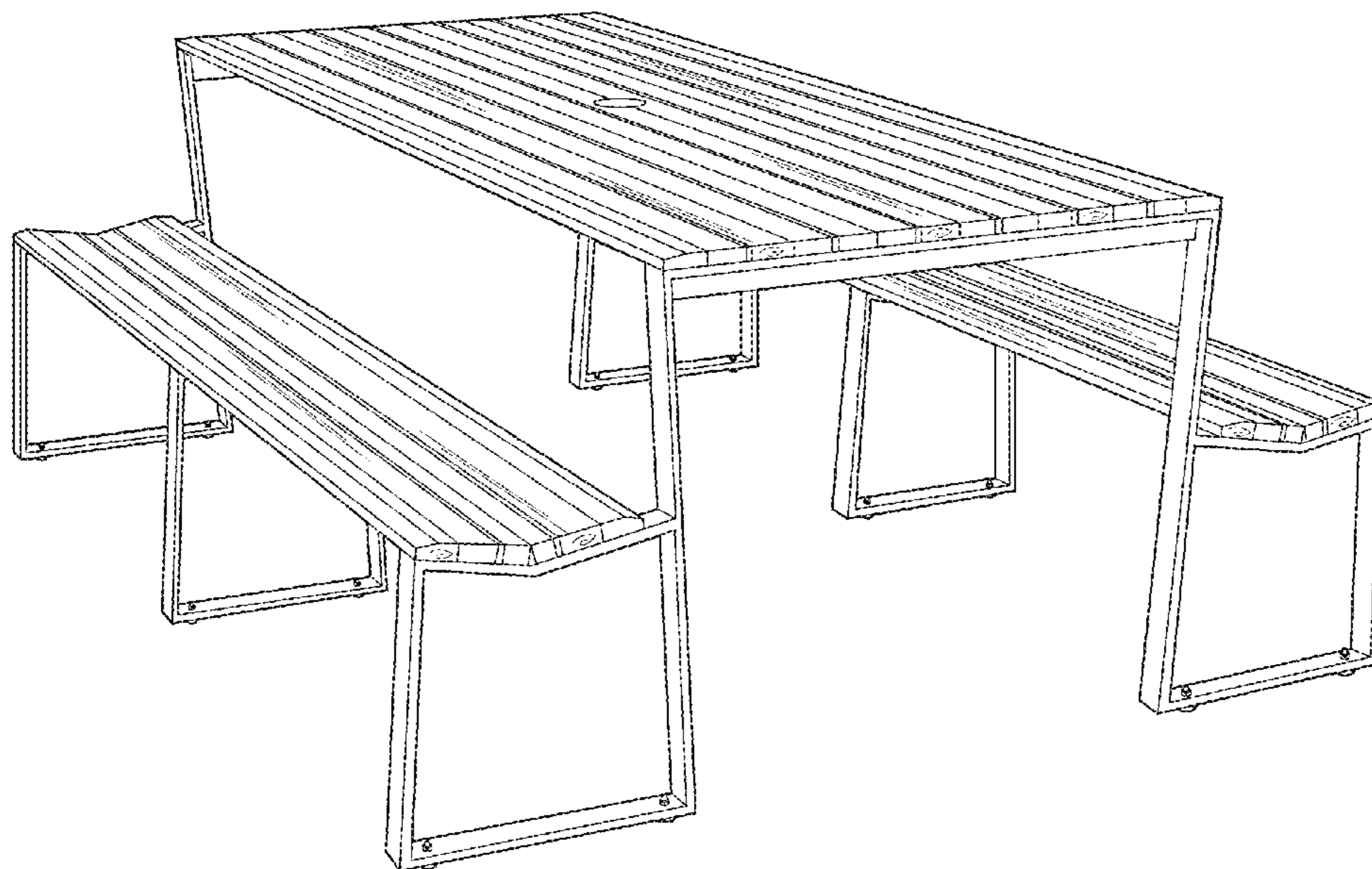
DESCRIPTION

FIG. 1 is a front perspective view of a picnic table, showing my new design;
 FIG. 2 is a right elevational view thereof, the left elevational view being a mirror image of the right elevational view thereof;
 FIG. 3 is a front elevational view thereof, the rear elevational view being a mirror image of the front elevational view thereof;
 FIG. 4 is a bottom plan view thereof; and,
 FIG. 5 is a top plan view thereof.

1 Claim, 5 Drawing Sheets

(56) **References Cited**
U.S. PATENT DOCUMENTS

D166,725 S *	5/1952	Watson	D6/337
2,722,971 A *	11/1955	Gallagher	A47B 3/14 297/158.5
2,746,525 A *	5/1956	Cooper	A47B 3/14 297/158.5
3,262,734 A *	7/1966	Kuks	A47B 83/02 108/144.11
D215,430 S *	9/1969	Suzuki	D6/349
D235,394 S *	6/1975	Ruth	297/157.1
D237,434 S *	11/1975	Le May, Jr.	D6/370



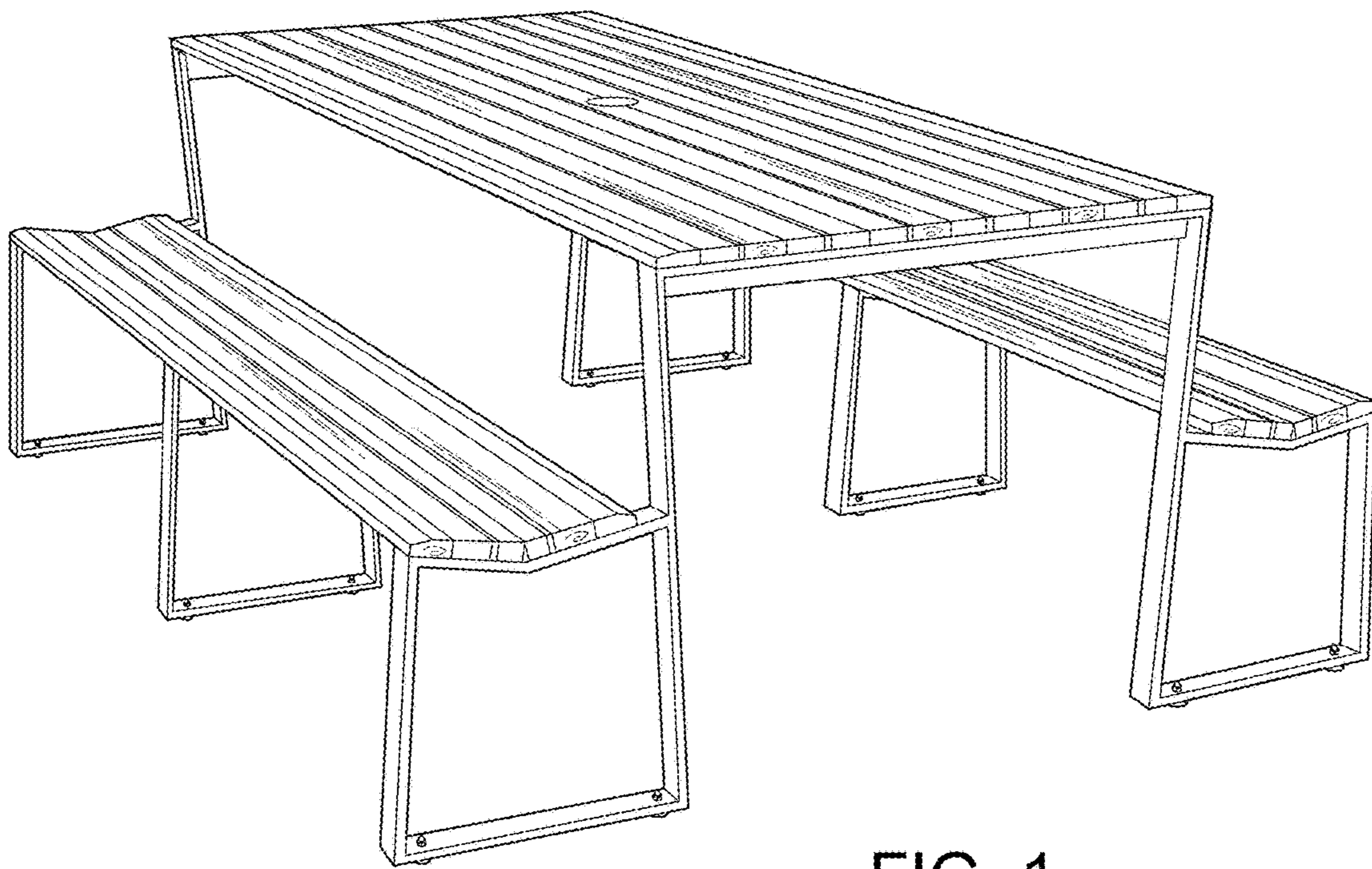


FIG. 1

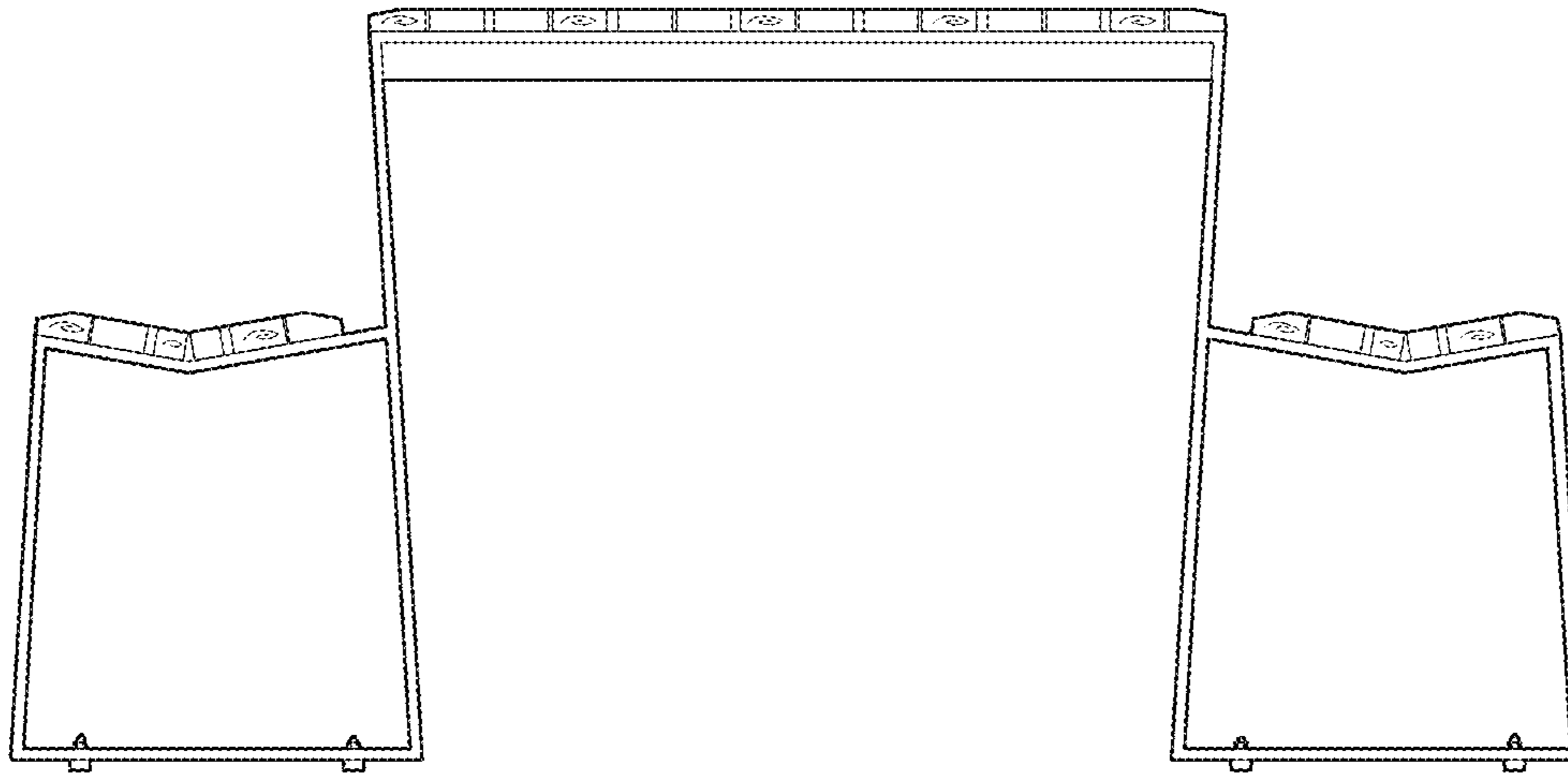


FIG. 2

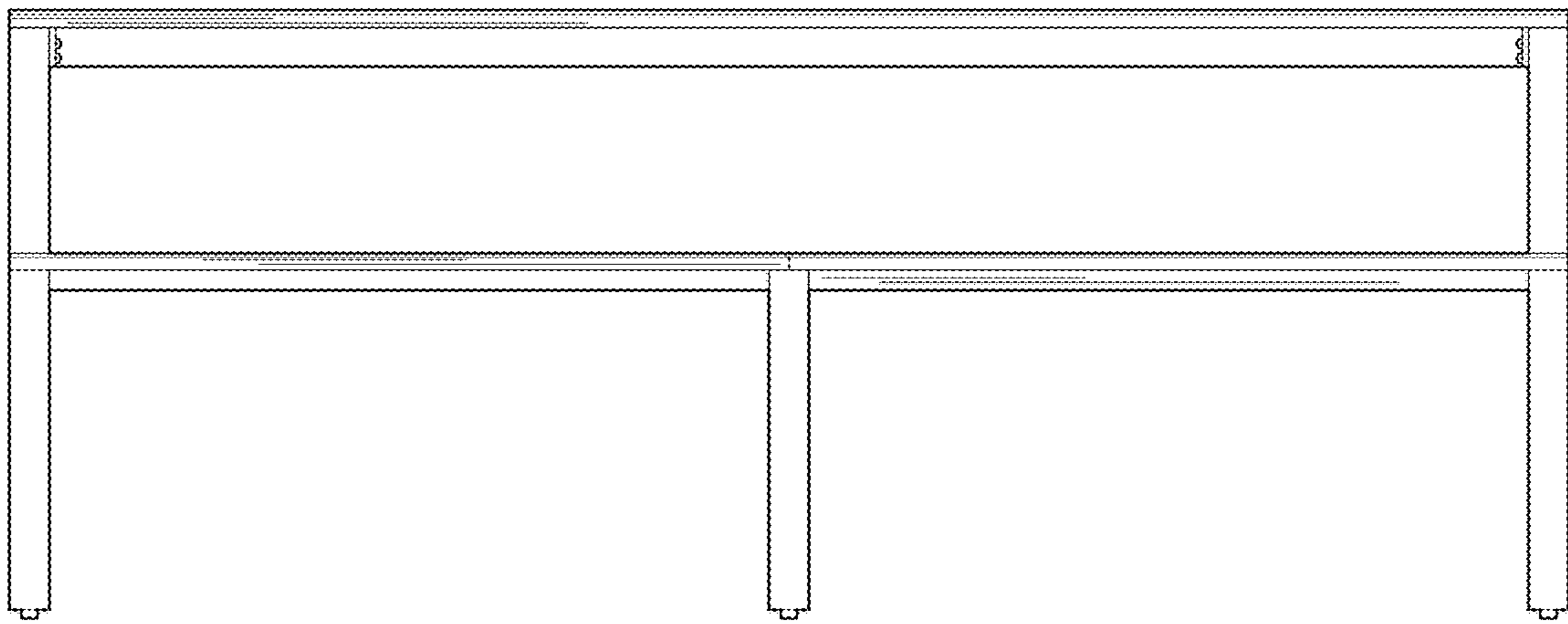


FIG. 3

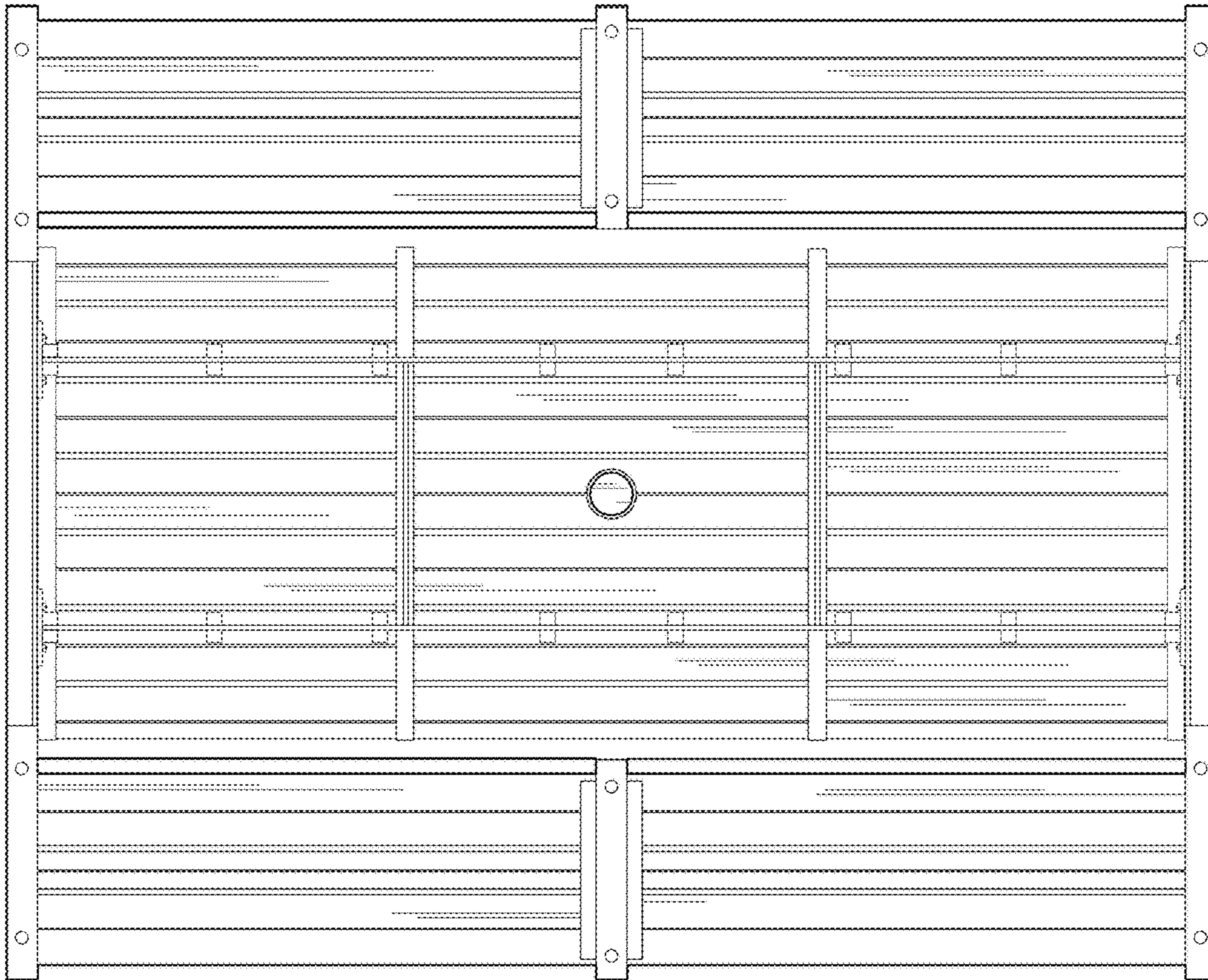


FIG. 4

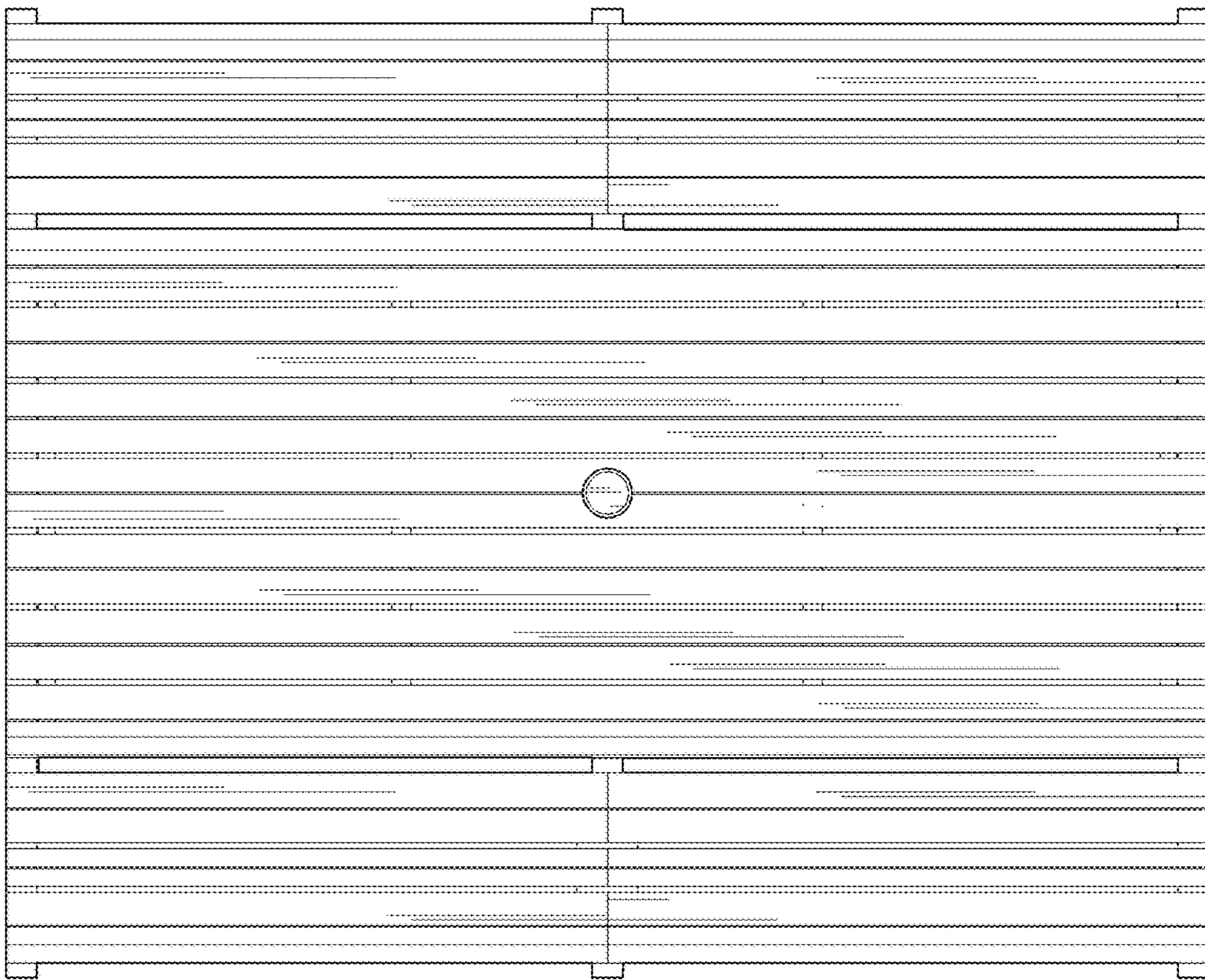


FIG. 5