



US00D812384S

(12) **United States Design Patent**
Zhu

(10) **Patent No.:** **US D812,384 S**
(45) **Date of Patent:** **** Mar. 13, 2018**

- (54) **MAKEUP MIRROR**
- (71) Applicant: **Shenzhen Smile Technology Co., Ltd**,
Shenzhen, Guangdong (CN)
- (72) Inventor: **Cailin Zhu**, Guangdong (CN)
- (73) Assignee: **SHENZHEN SMILE TECHNOLOGY CO., LTD**, Shenzhen,
Guangdong (CN)

(**) Term: **15 Years**

(21) Appl. No.: **29/594,571**

(22) Filed: **Feb. 21, 2017**

(51) **LOC (11) Cl.** **06-07**

(52) **U.S. Cl.**
USPC **D6/311**

(58) **Field of Classification Search**
USPC D6/300-314
CPC ... A47G 1/00; A47G 1/02; A47G 1/06; A47G
1/0616; A47G 1/14; A47G 1/141; A45D
42/00; A45D 42/08; A45D 42/14; A45D
42/16; A45D 42/10
See application file for complete search history.

(56) **References Cited**

U.S. PATENT DOCUMENTS

D229,791 S *	1/1974	Fano et al.	D6/308
D309,679 S *	8/1990	Ackeret	D6/300
D392,111 S *	3/1998	Tsui	D6/300
D425,314 S *	5/2000	Au-Yeung	D6/300
D426,962 S *	6/2000	Au-Yeung	D6/300
D462,843 S *	9/2002	Chan	D6/310
D560,371 S *	1/2008	Liu	D6/300

D602,259 S *	10/2009	Finnegan	D14/371
D612,617 S *	3/2010	Chen	D6/308
D613,510 S *	4/2010	Tzeng	D14/371
D695,027 S *	12/2013	Zadro	D6/300
8,746,901 B1 *	6/2014	Zadro	A45D 42/14 359/512
D743,704 S *	11/2015	Kaiser	D6/300
D749,329 S *	2/2016	Kaiser	D6/300
D776,944 S *	1/2017	Tang	D14/138 C
D805,309 S *	12/2017	Moyer	D6/308
2013/0027913 A1 *	1/2013	Frisch	A45D 42/10 362/141

* cited by examiner

Primary Examiner — Deanna L Pratt

(74) *Attorney, Agent, or Firm* — Ladas & Parry LLP

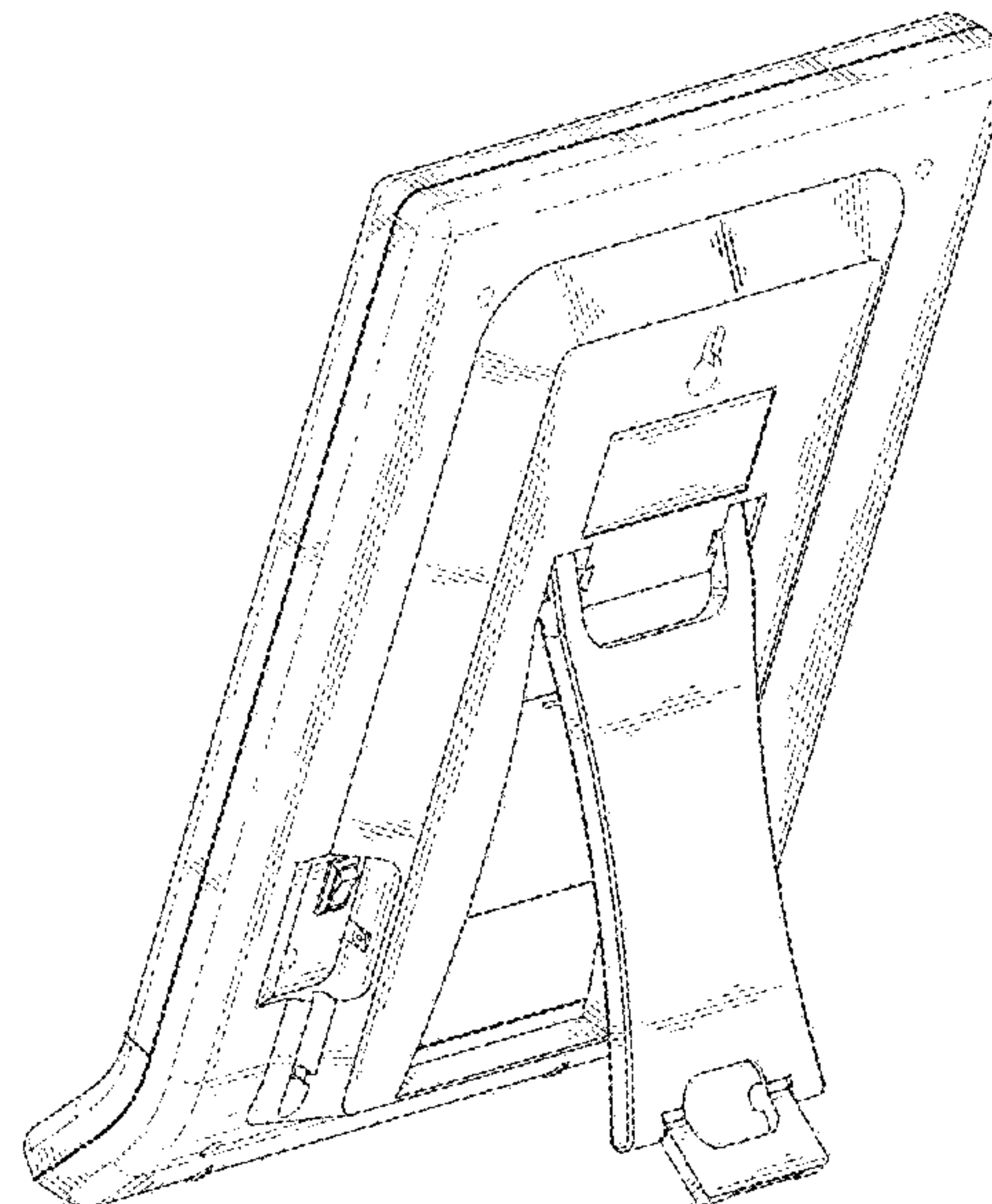
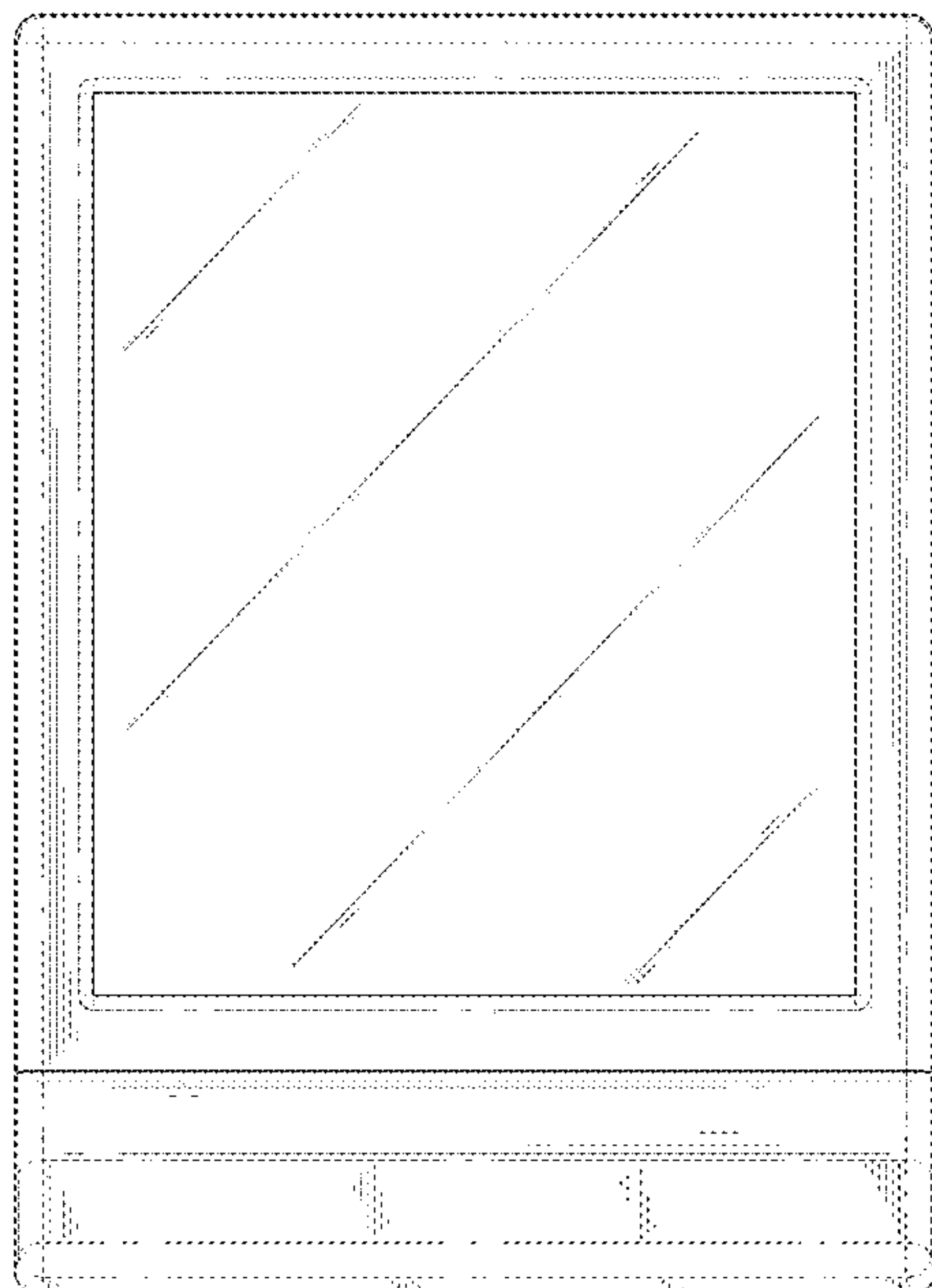
(57) **CLAIM**

The ornamental design for a makeup mirror, as shown and described.

DESCRIPTION

FIG. 1 is a front elevational view of a makeup mirror showing my new design;
 FIG. 2 is a rear elevational view thereof;
 FIG. 3 is a left side elevational view thereof;
 FIG. 4 is a right side elevational view thereof;
 FIG. 5 is a top plan view thereof;
 FIG. 6 is a bottom plan view thereof;
 FIG. 7 is a perspective view thereof; and,
 FIG. 8 is another perspective view thereof shown in an alternative position.
 The broken lines in the drawings illustrate portions of the makeup mirror that form no part of the claimed design.

1 Claim, 7 Drawing Sheets



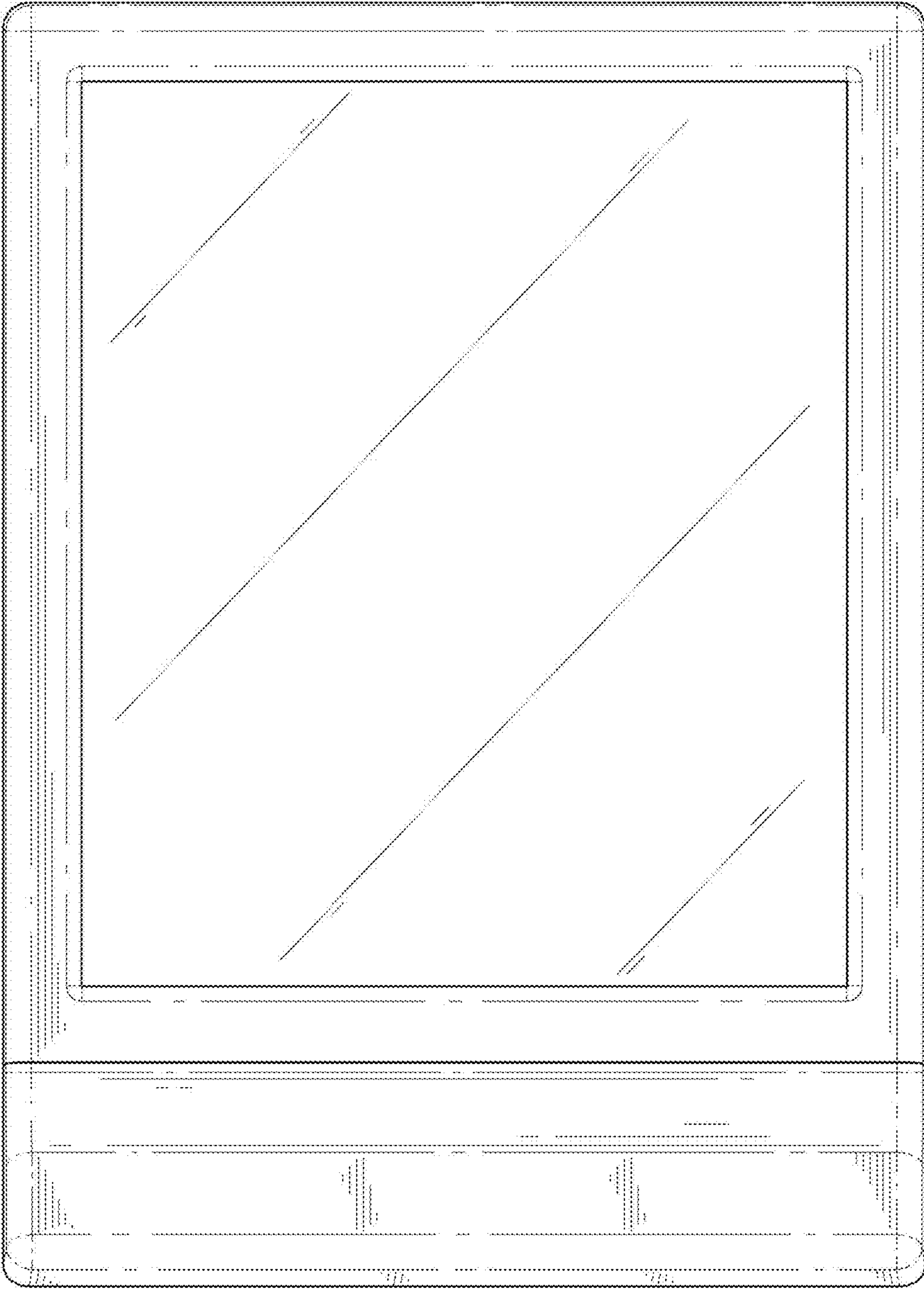


FIG. 1

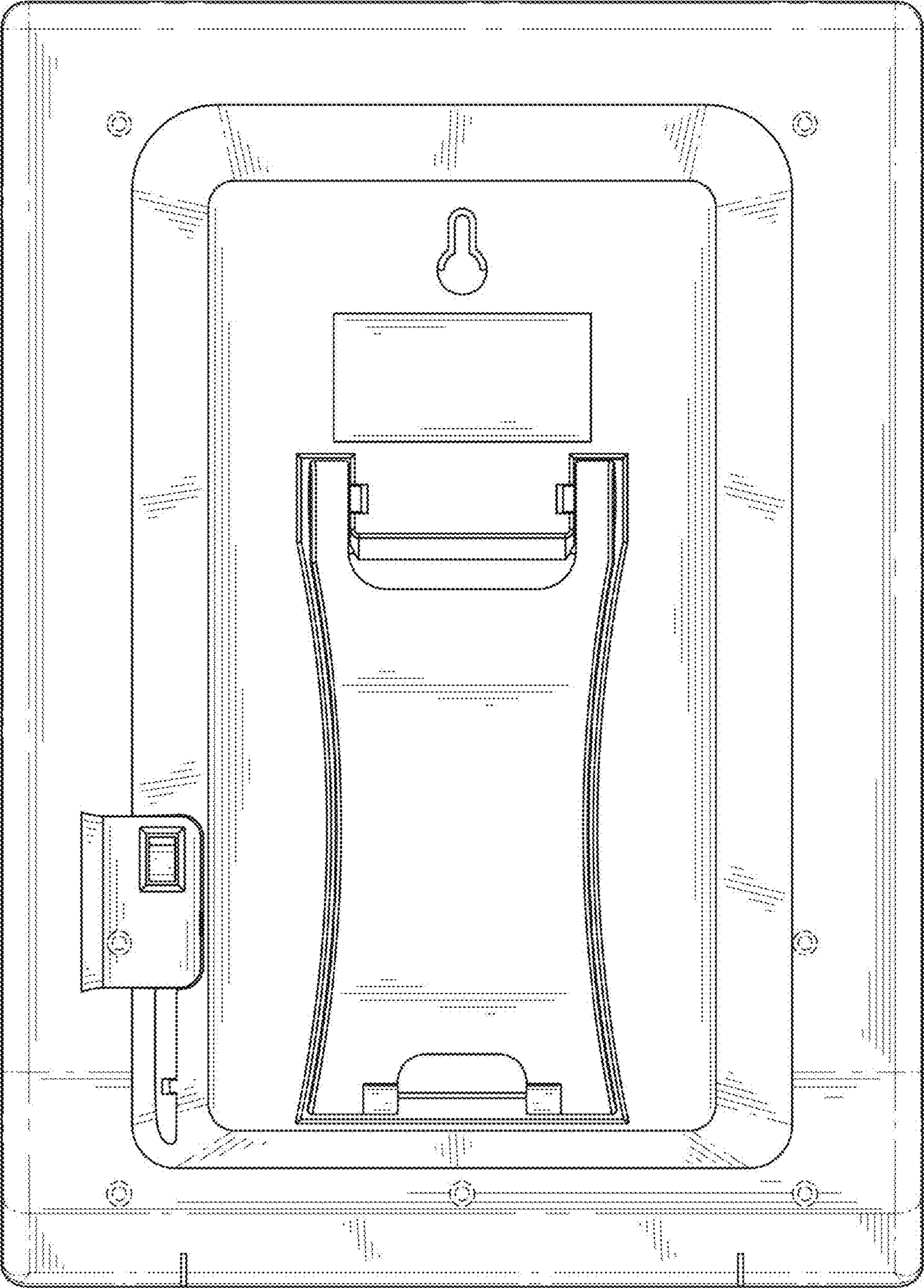


FIG. 2

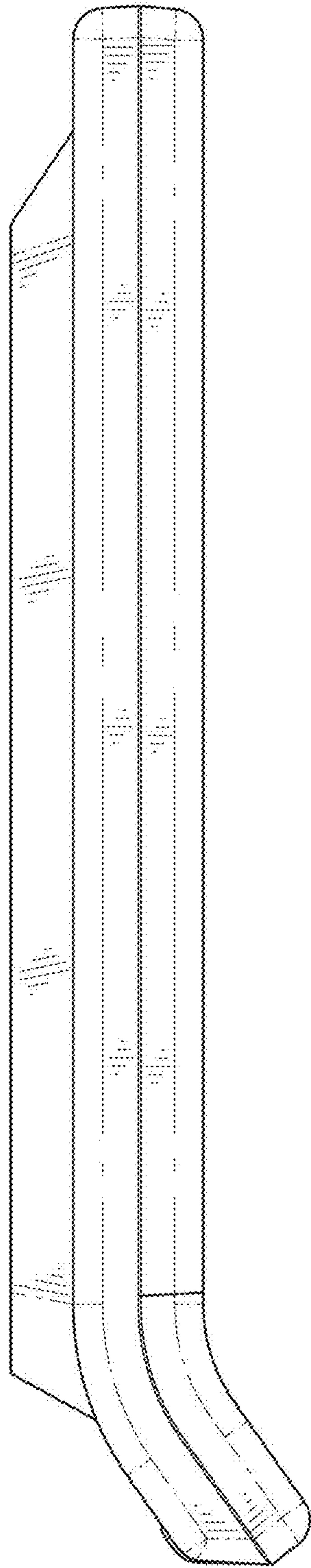


FIG. 3

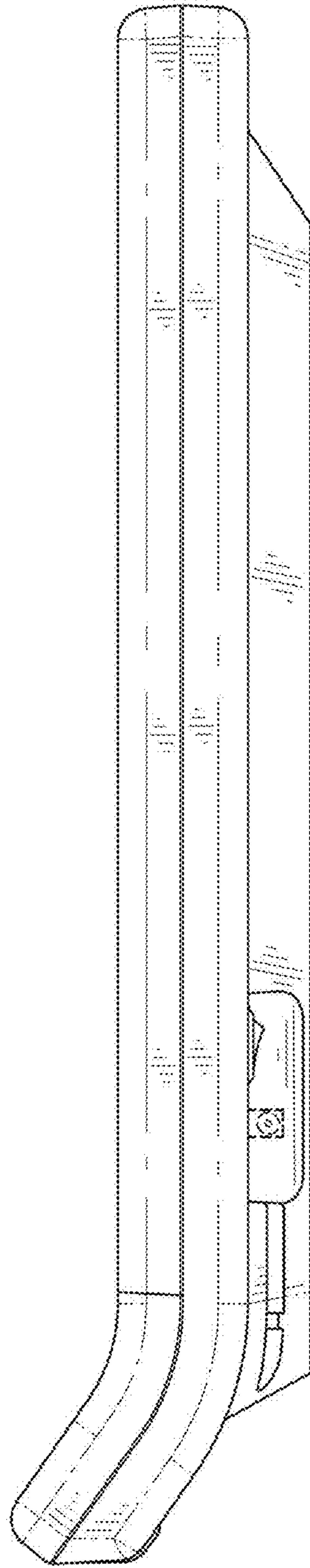


FIG. 4

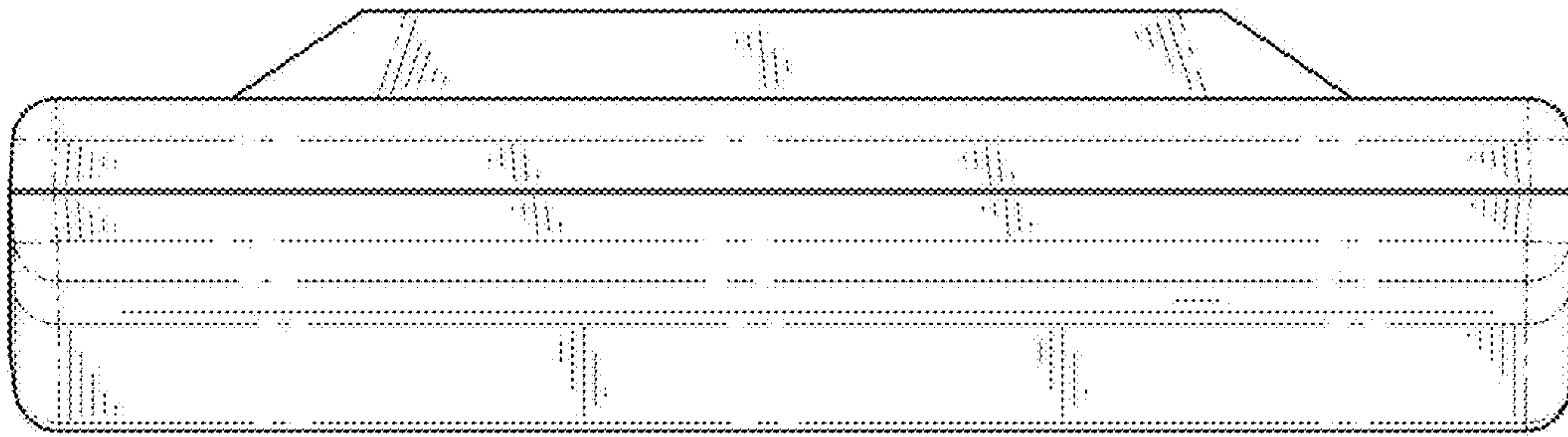


FIG. 5

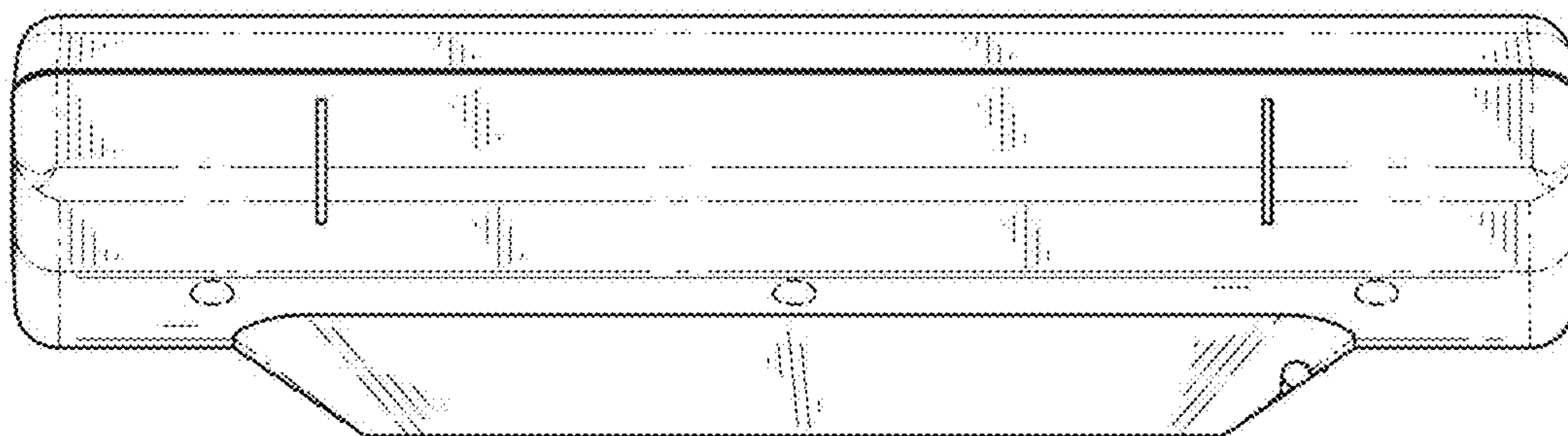


FIG. 6

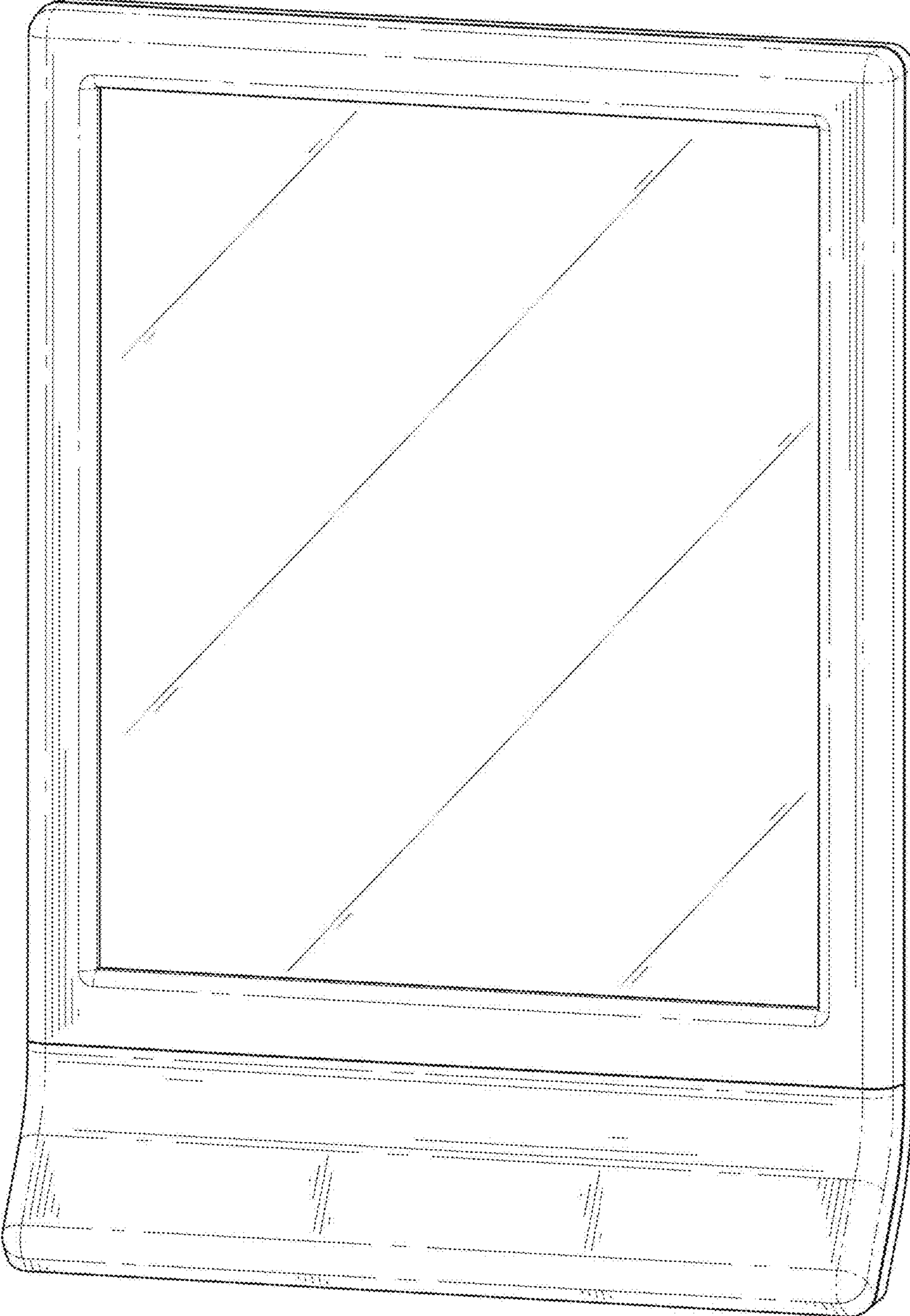


FIG.7

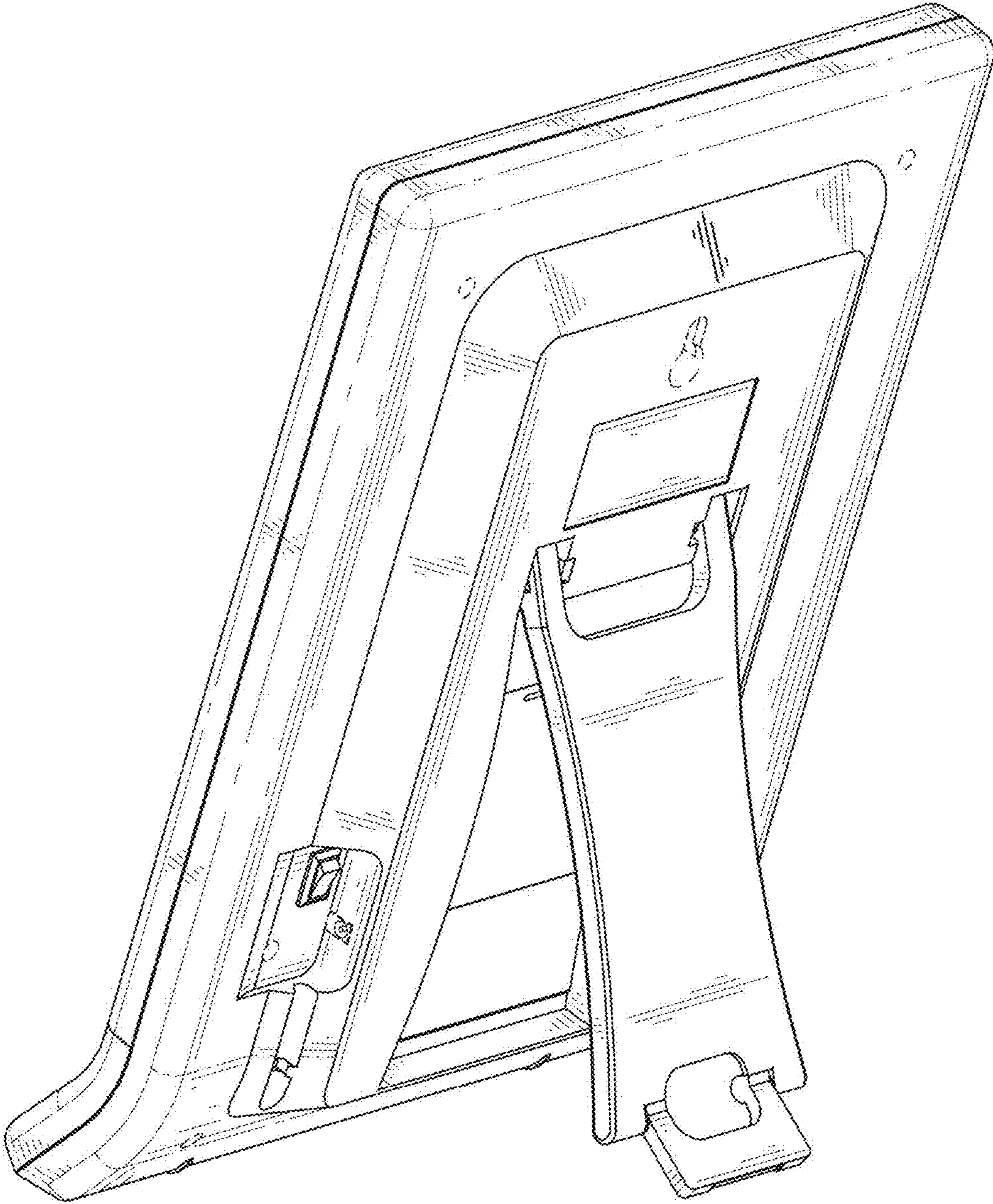


FIG. 8