



US00D812383S

(12) **United States Design Patent**
Kwiatkowski et al.

(10) **Patent No.:** **US D812,383 S**
(45) **Date of Patent:** **** Mar. 13, 2018**

- (54) **SUCTION MIRROR**
- (71) Applicants: **Neil Kwiatkowski**, Queens, NY (US);
Linden Evans, Brooklyn, NY (US);
Daniel Huang, Taipei (TW)
- (72) Inventors: **Neil Kwiatkowski**, Queens, NY (US);
Linden Evans, Brooklyn, NY (US);
Daniel Huang, Taipei (TW)
- (73) Assignee: **HELEN OF TROY LIMITED**, St.
Michael (BB)
- (**) Term: **15 Years**
- (21) Appl. No.: **29/590,148**
- (22) Filed: **Jan. 7, 2017**
- (51) **LOC (11) Cl.** **06-07**
- (52) **U.S. Cl.**
USPC **D6/300**
- (58) **Field of Classification Search**
USPC **D6/300-314**
CPC ... **A47G 1/00; A47G 1/02; A47G 1/06; A47G**
1/0616; A47G 1/14; A47G 1/141; A45D
42/00; A45D 42/08; A45D 42/14; A45D
42/16; A45D 42/10
See application file for complete search history.

- 6,619,805 B1 * 9/2003 Roth G02B 7/181
132/291
- D505,555 S * 5/2005 Snell D6/309
- D506,877 S * 7/2005 Snell D6/300
- D532,207 S * 11/2006 Snell D6/300
- D646,493 S * 10/2011 Yang D6/300
- D653,041 S * 1/2012 Henry D6/300
- D680,755 S * 4/2013 Gilboe D6/309
- D688,883 S * 9/2013 Gilboe D6/309
- D749,329 S * 2/2016 Kaiser D6/300
- D776,944 S * 1/2017 Tang D14/138 C

* cited by examiner

Primary Examiner — Deanna L Pratt

(57) **CLAIM**

The ornamental design for a suction mirror, as shown, and described.

DESCRIPTION

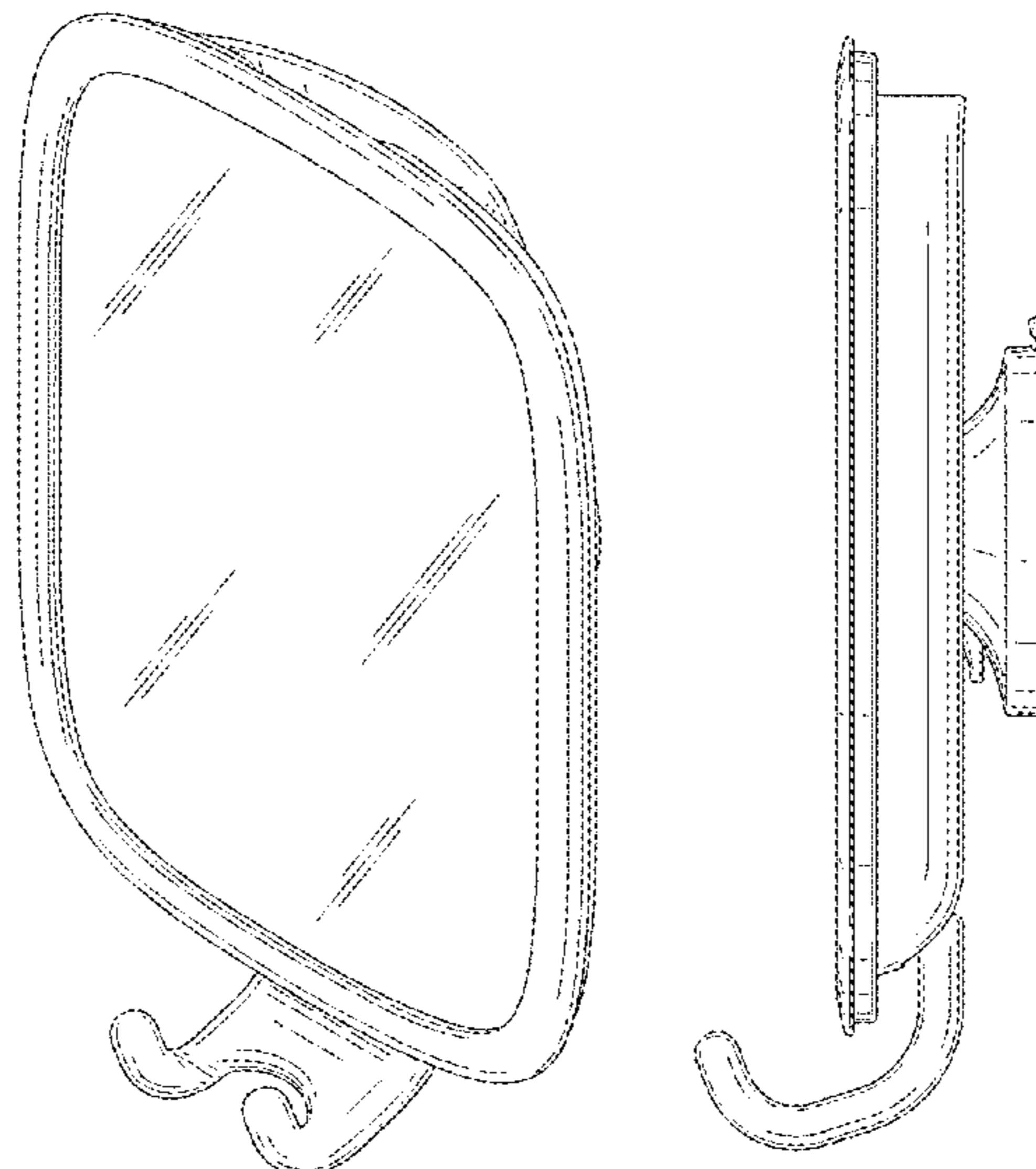
FIG. 1 is a perspective front view of the suction mirror, shown with a round suction cup cover;
 FIG. 2 is a front view of the suction mirror;
 FIG. 3 is a rear view of the suction mirror;
 FIG. 4 is a left side view of the suction mirror;
 FIG. 5 is a right side view of the suction mirror;
 FIG. 6 is a top view of the suction mirror;
 FIG. 7 is a bottom view of the suction mirror;
 FIG. 8 is a perspective rear view of the suction mirror;
 FIG. 9 is a perspective front view of the suction mirror, shown with a square suction cup cover;
 FIG. 10 is a front view of the suction mirror;
 FIG. 11 is a rear view of the suction mirror;
 FIG. 12 is a left side view of the suction mirror;
 FIG. 13 is a right side view of the suction mirror;
 FIG. 14 is a top view of the suction mirror;
 FIG. 15 is a bottom view of the suction mirror; and,
 FIG. 16 is a perspective rear view of the suction mirror.
 The broken lines depict environment and form no part of the claimed design.

(56) **References Cited**

U.S. PATENT DOCUMENTS

- D258,475 S * 3/1981 Edstrom D6/526
- D283,998 S * 5/1986 Tanaka D12/187
- D303,179 S * 9/1989 Evenson D6/301
- D324,463 S * 3/1992 Young D6/300
- D341,721 S * 11/1993 Wenkman D6/300
- D358,715 S * 5/1995 Young D6/300
- D370,354 S * 6/1996 Deakyne D6/300
- D372,591 S * 8/1996 Brunner D6/300
- D377,421 S * 1/1997 Young D6/300
- D413,293 S * 8/1999 Haas D12/191

1 Claim, 16 Drawing Sheets



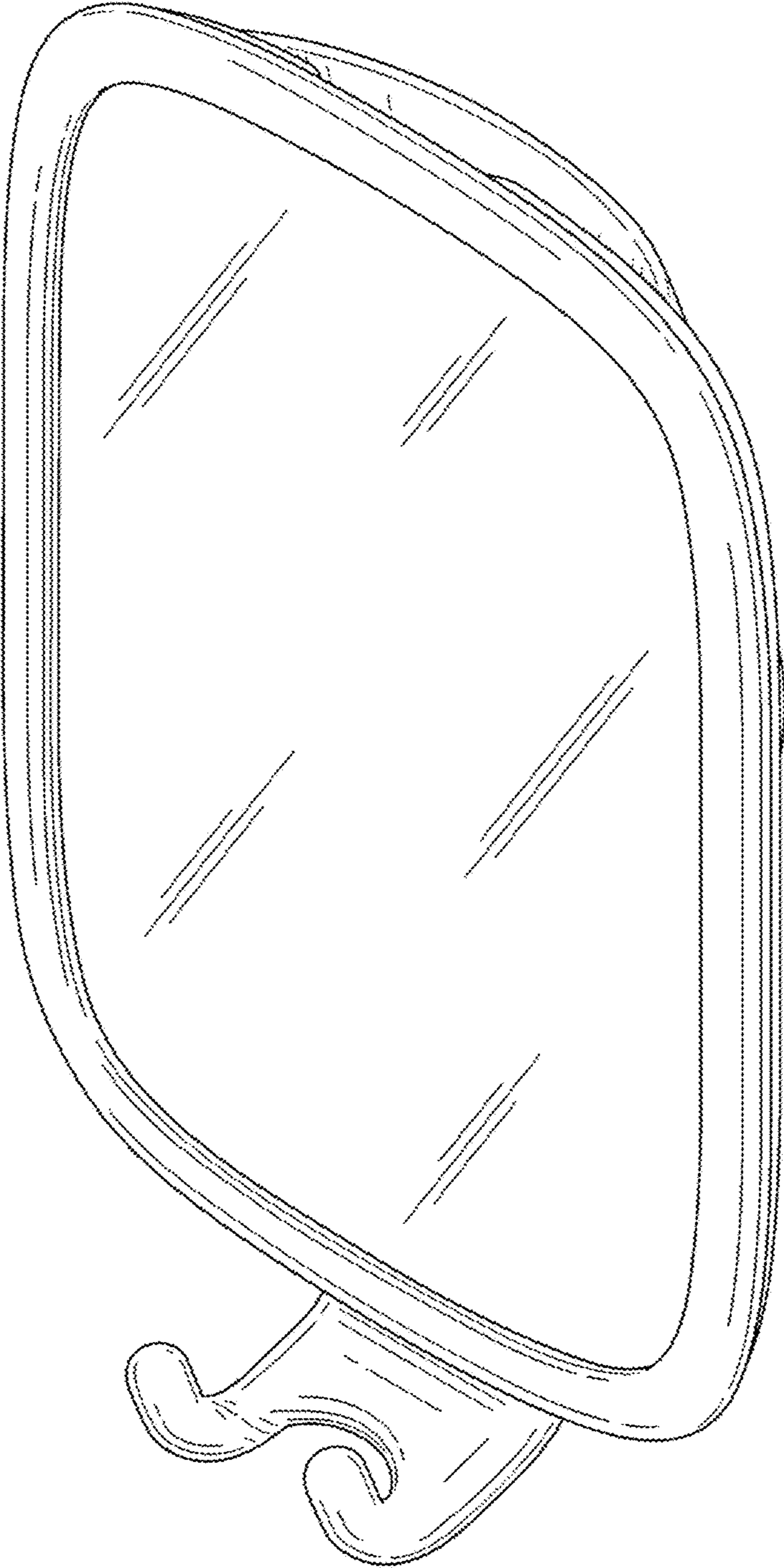


FIG. 1

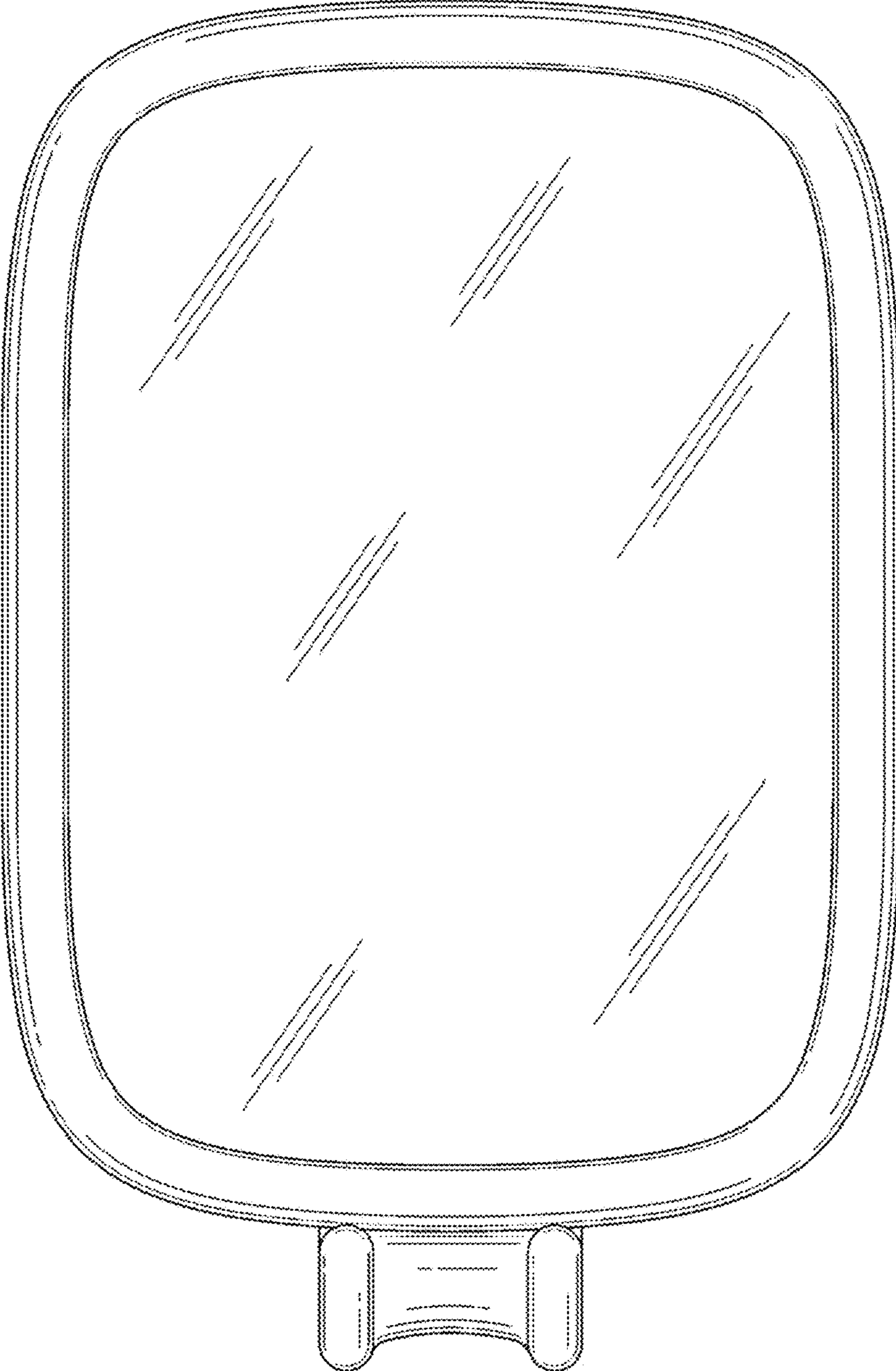


FIG. 2

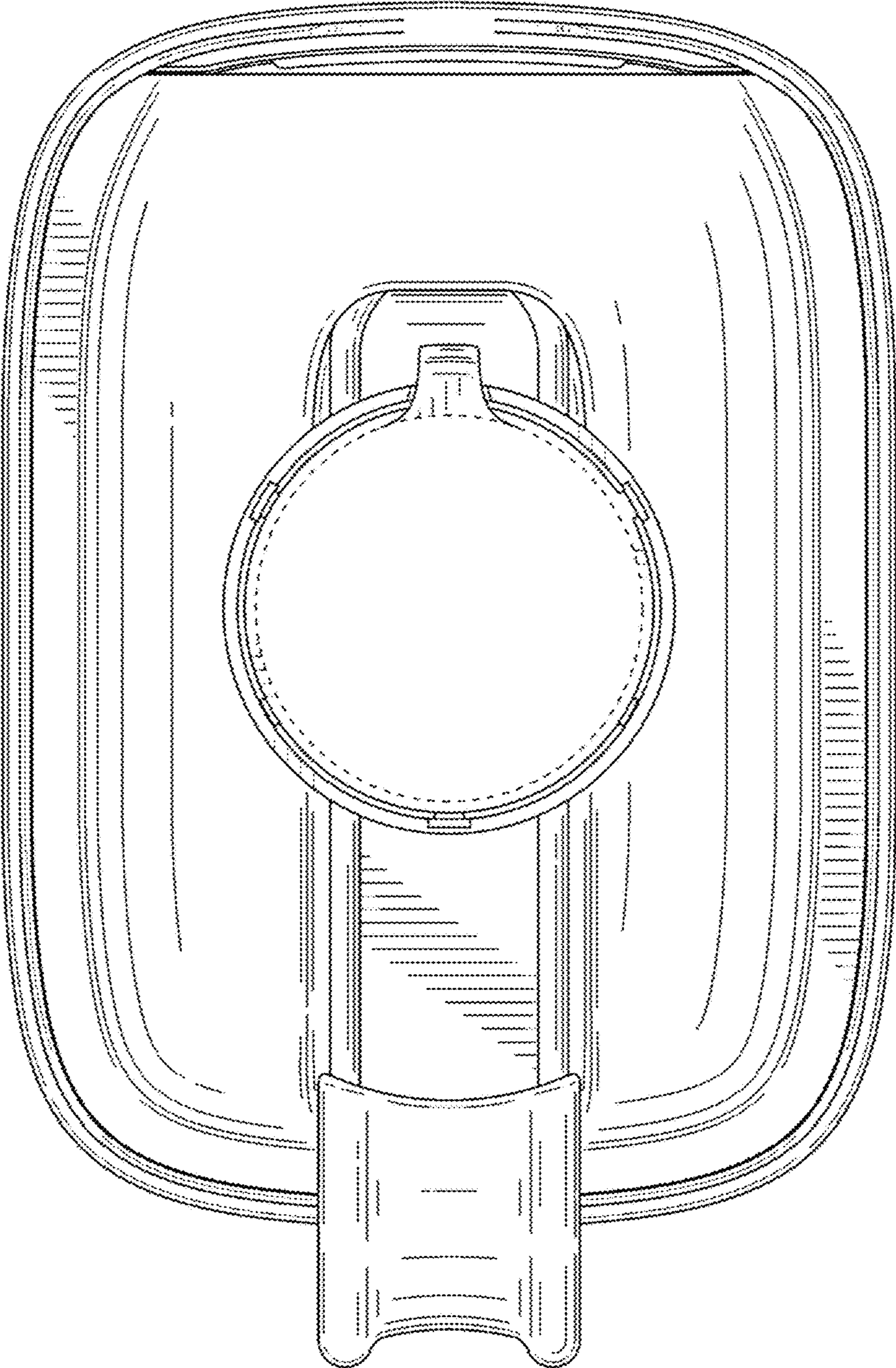


FIG. 3

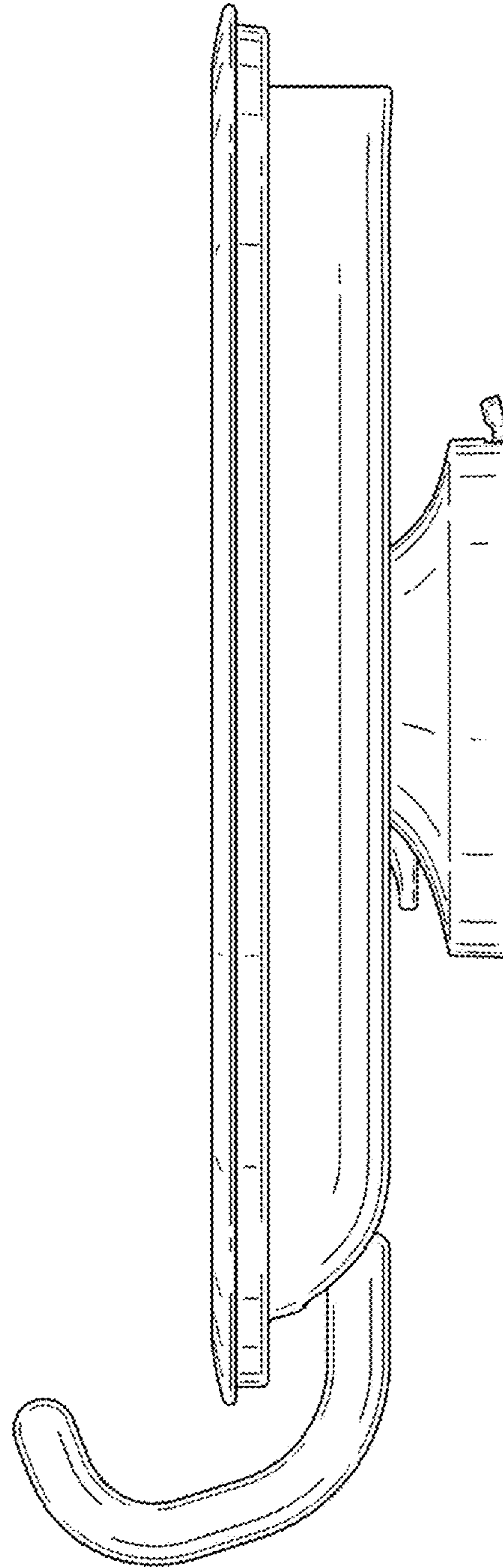


FIG. 4

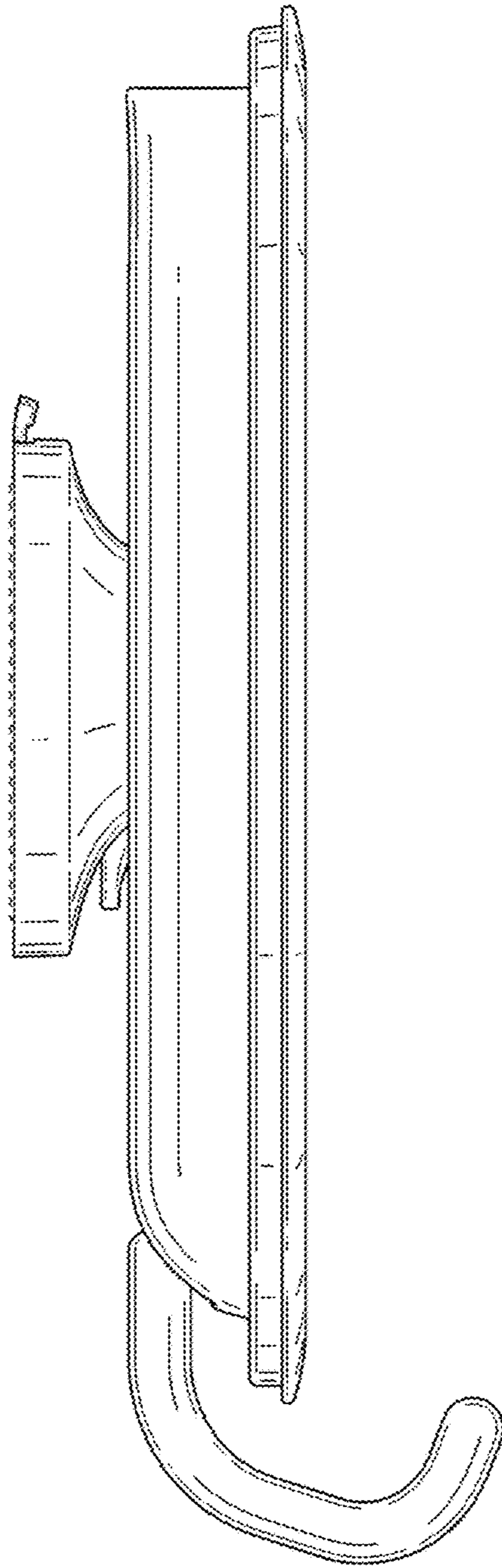


FIG. 5

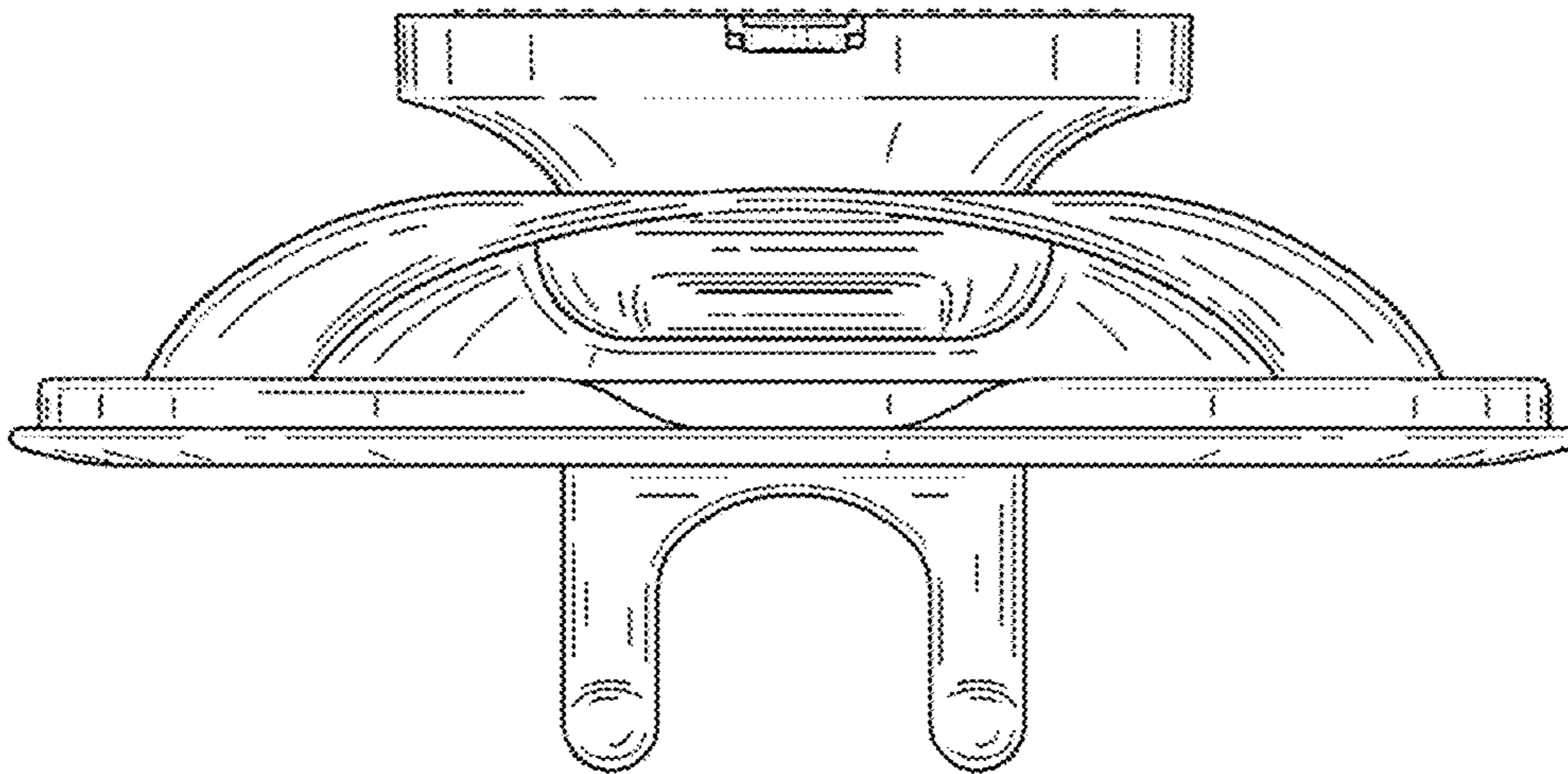


FIG. 6

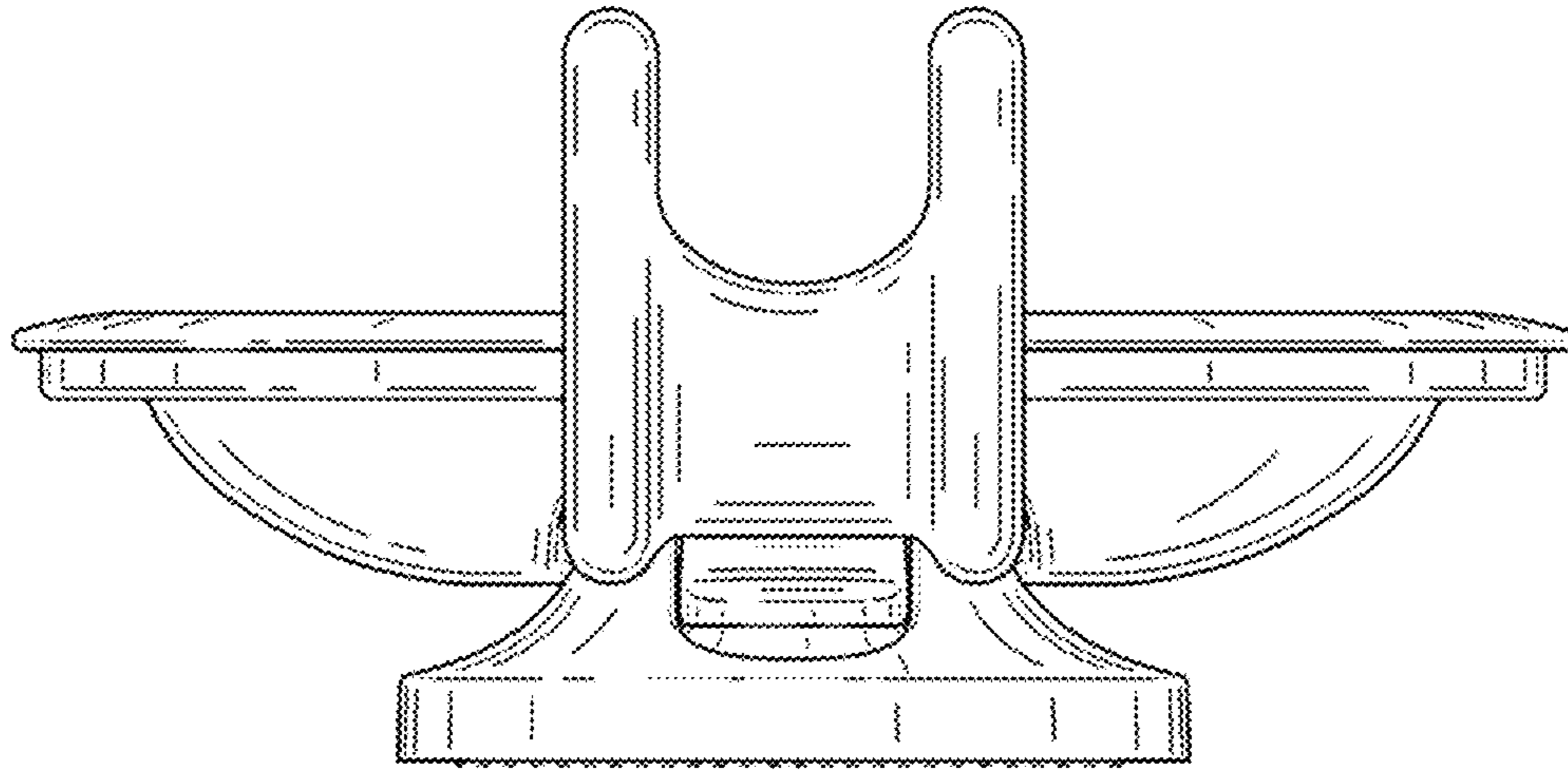


FIG. 7

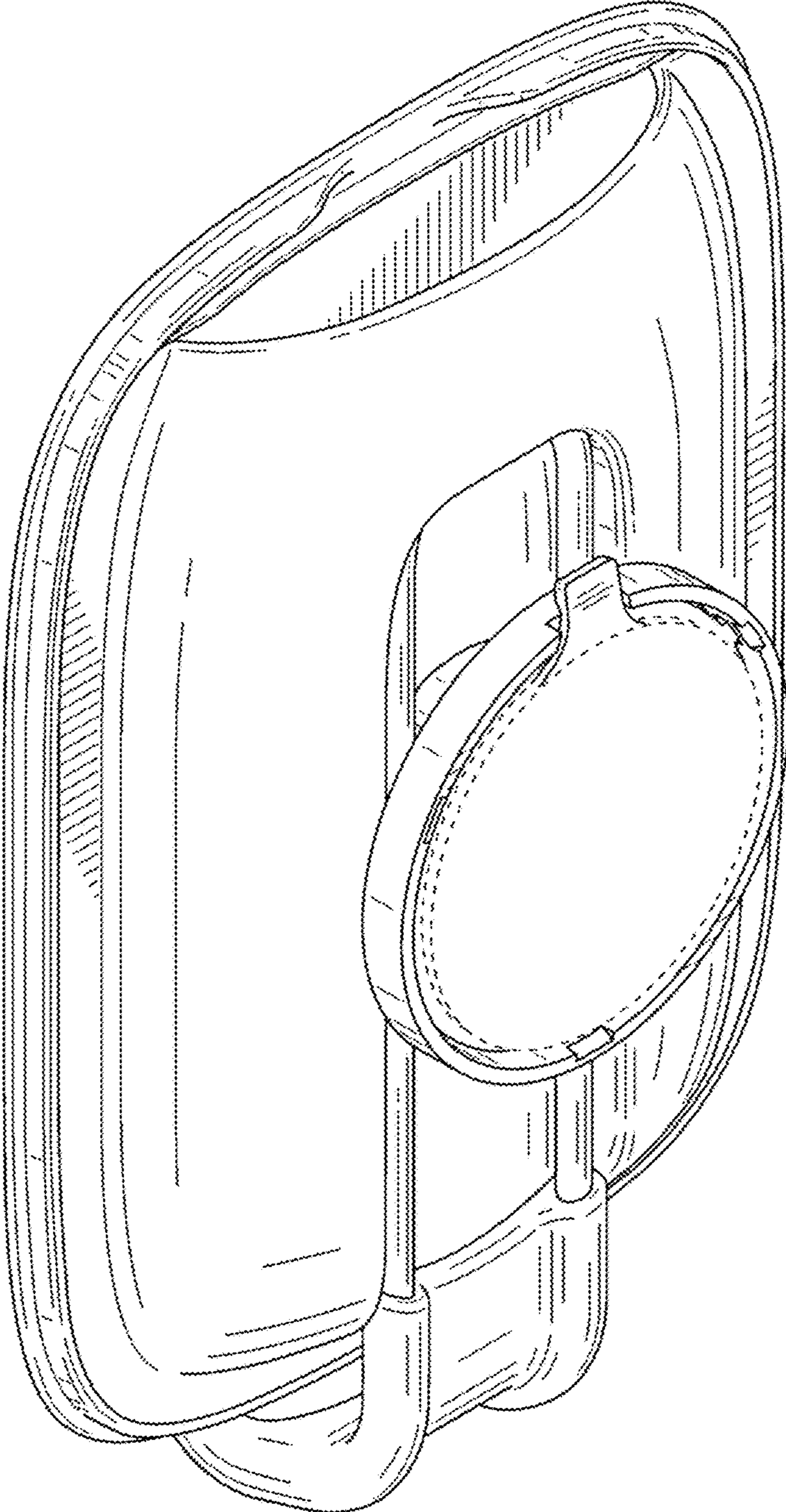


FIG. 8

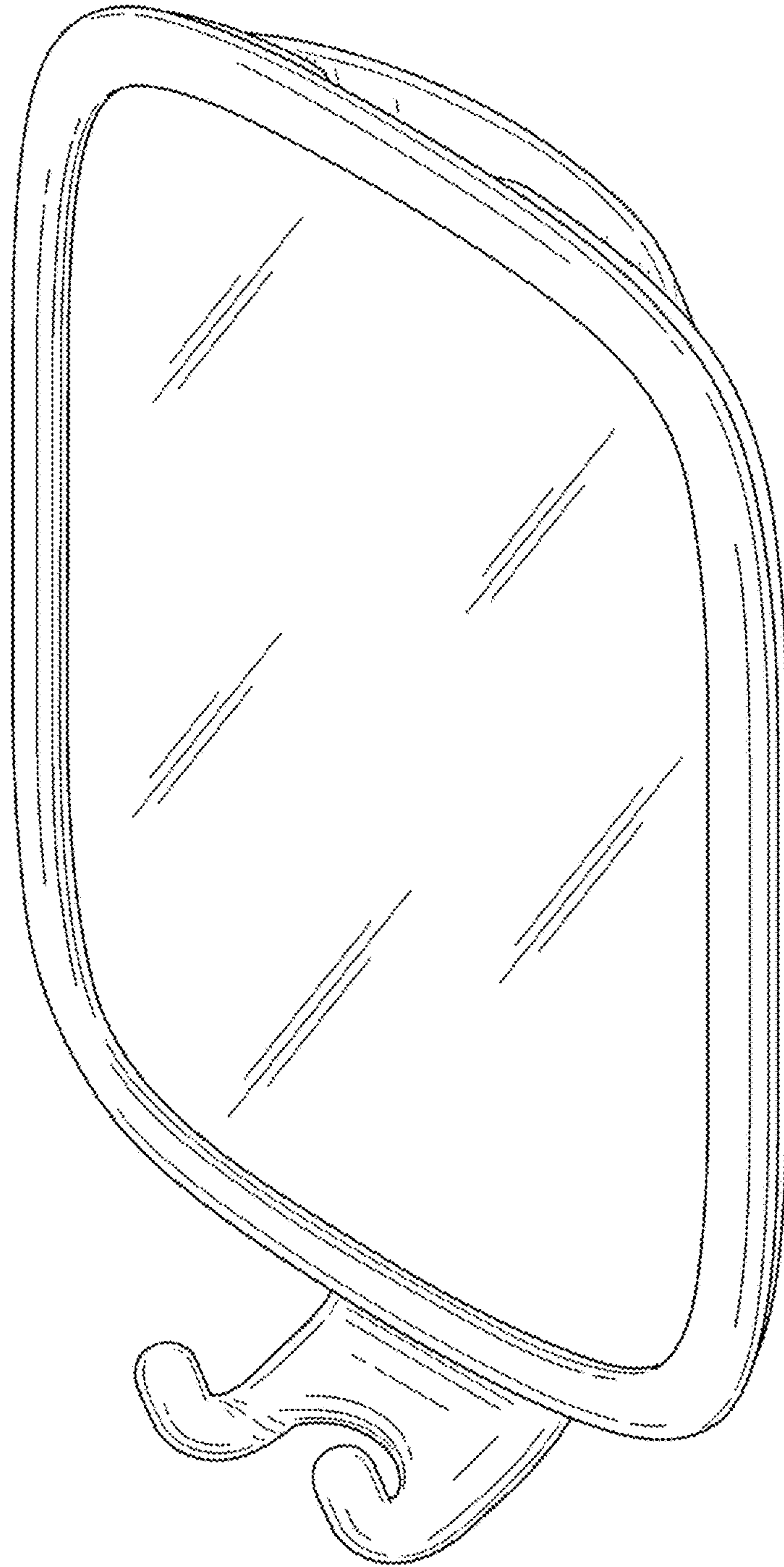


FIG. 9

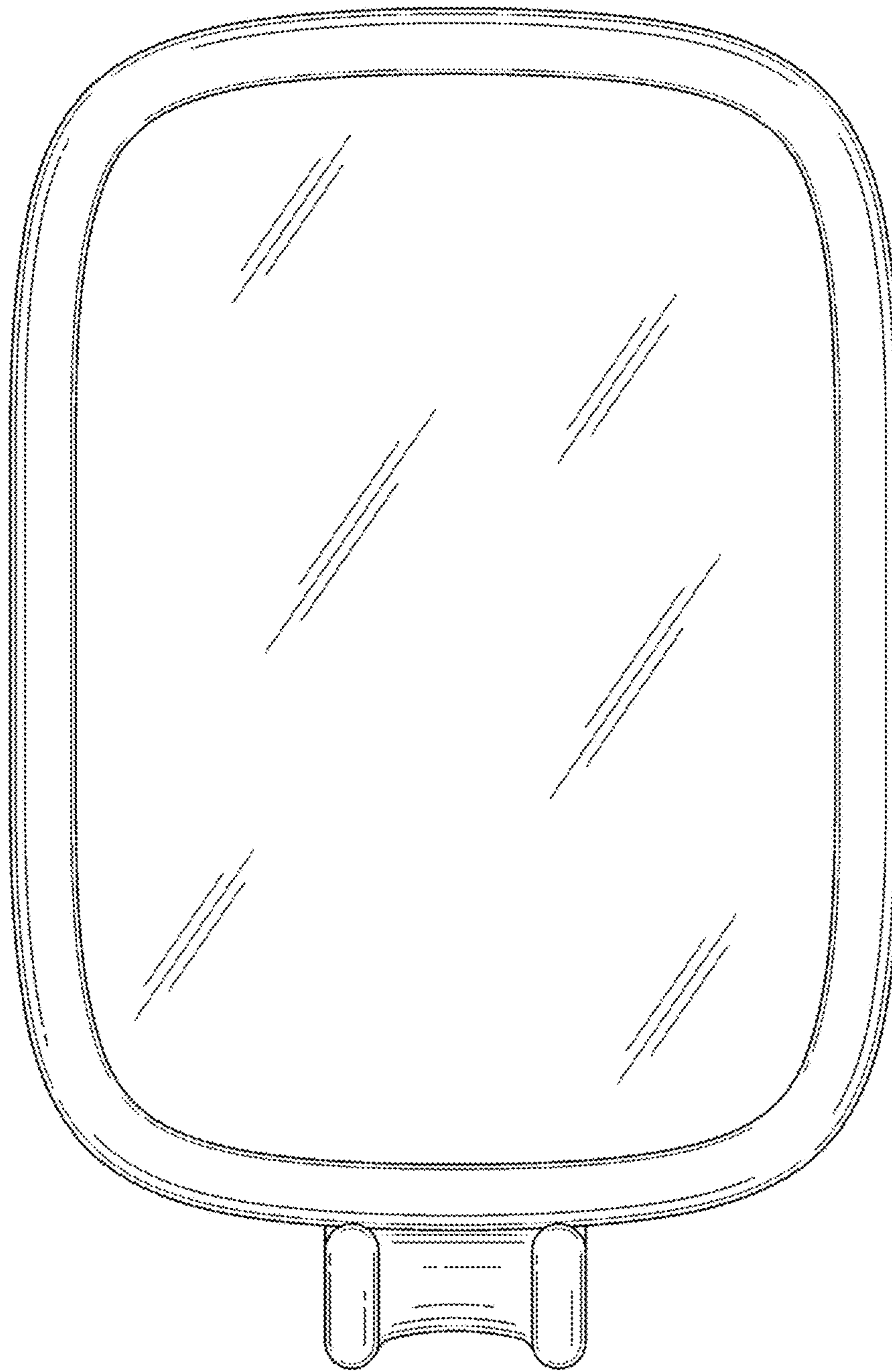


FIG. 10

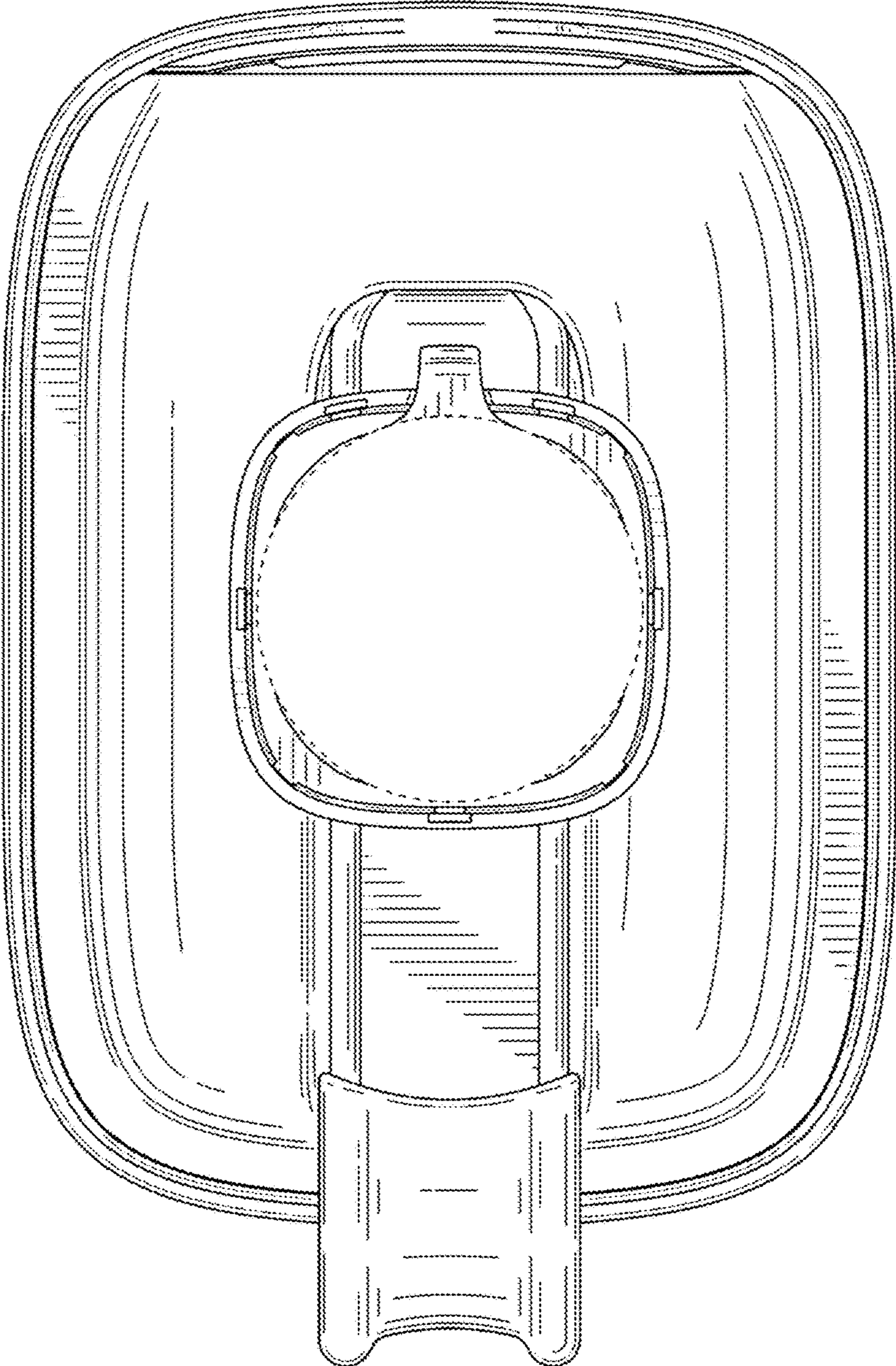


FIG. 11

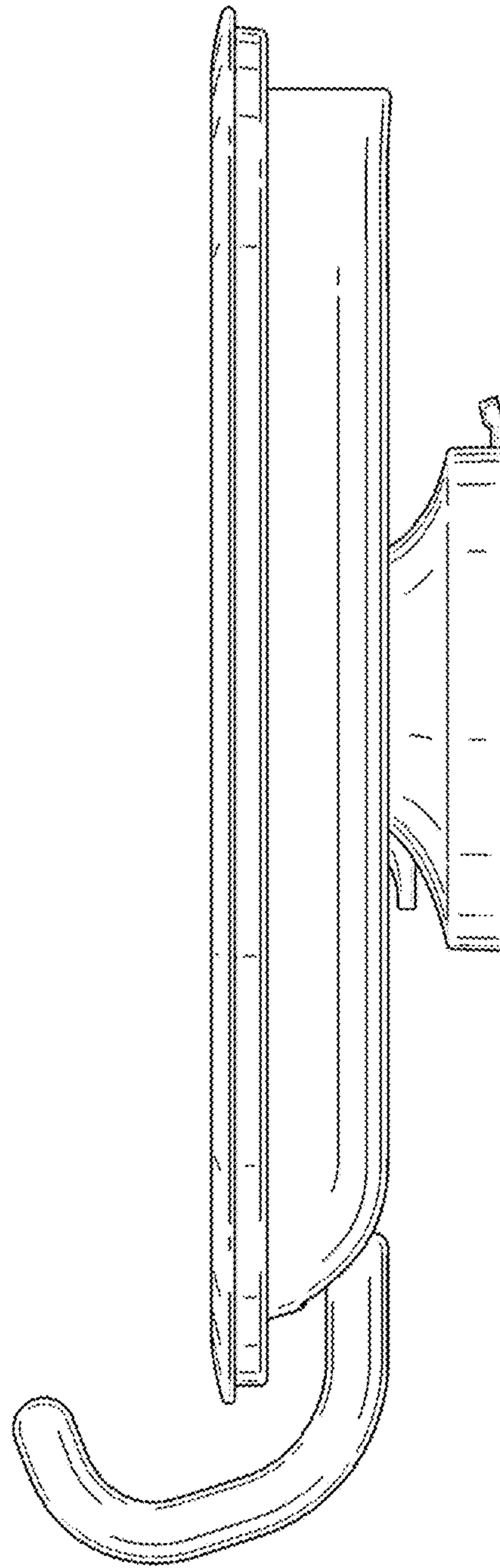


FIG. 12

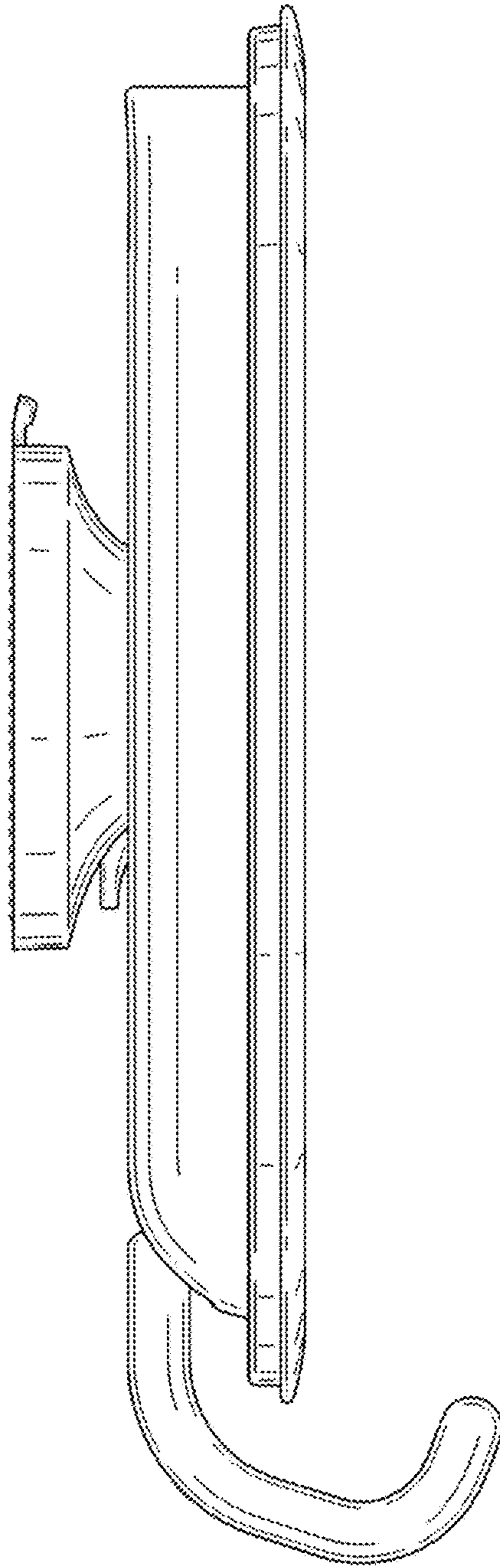


FIG. 13

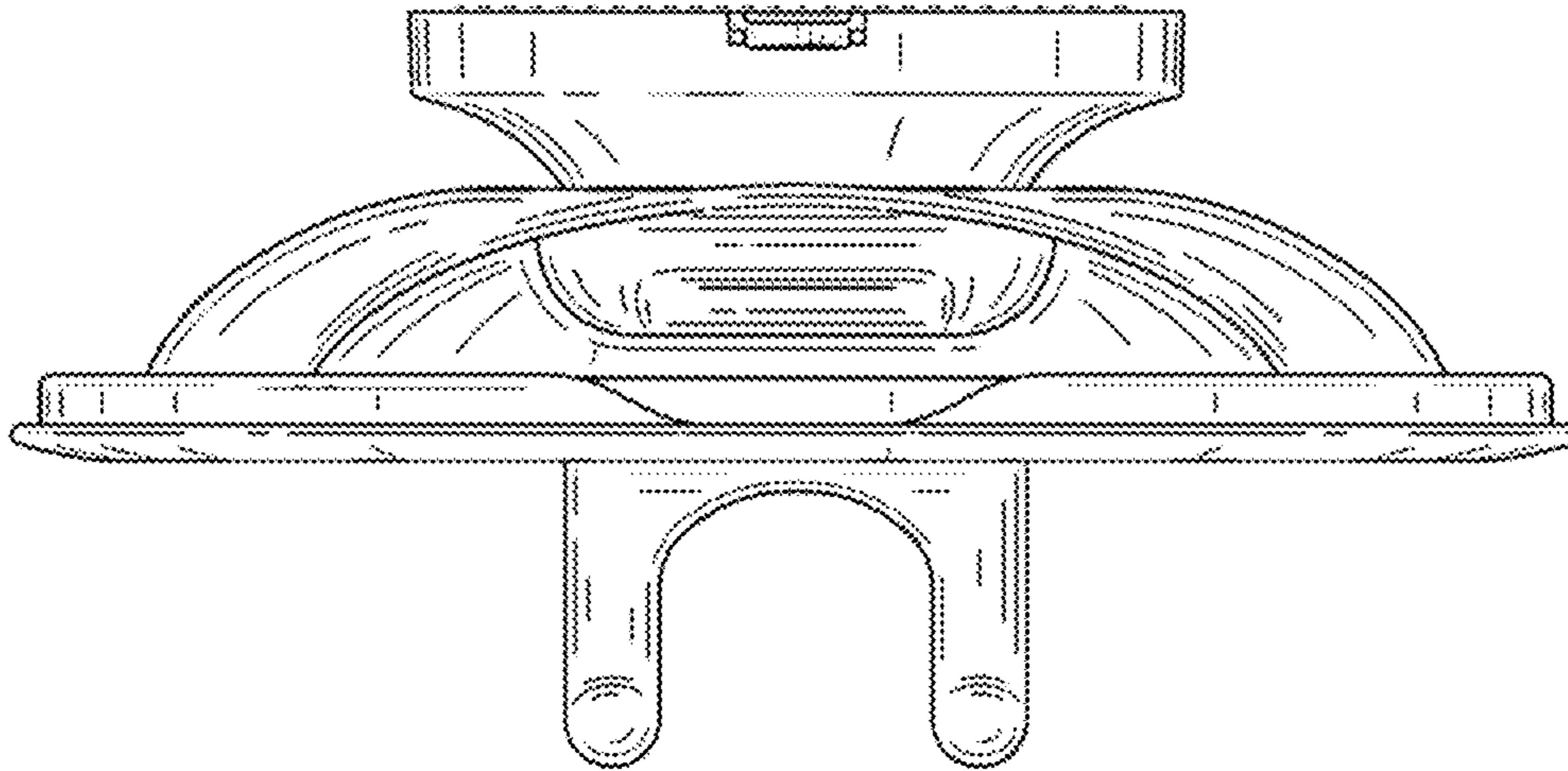


FIG. 14

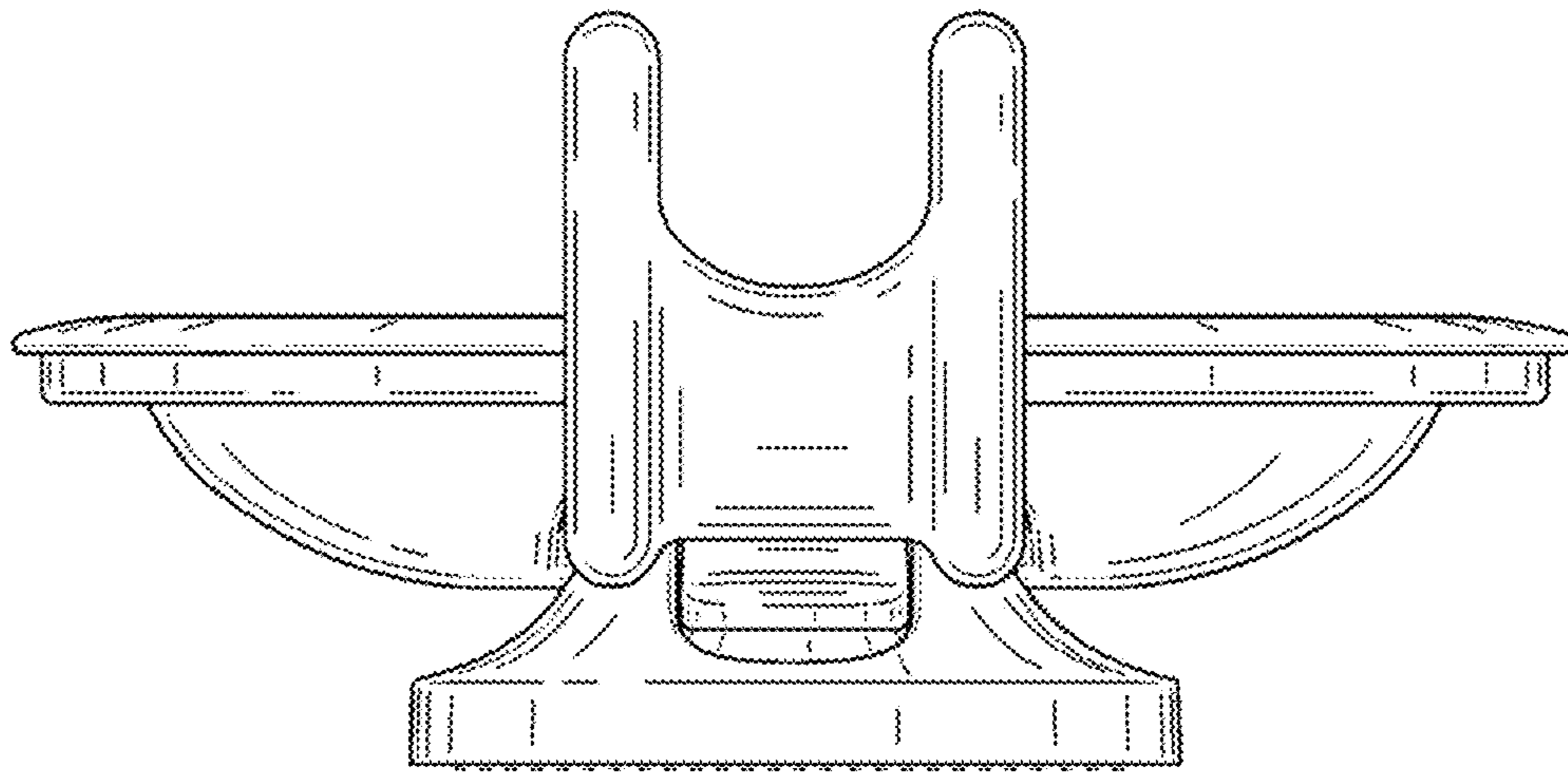


FIG. 15

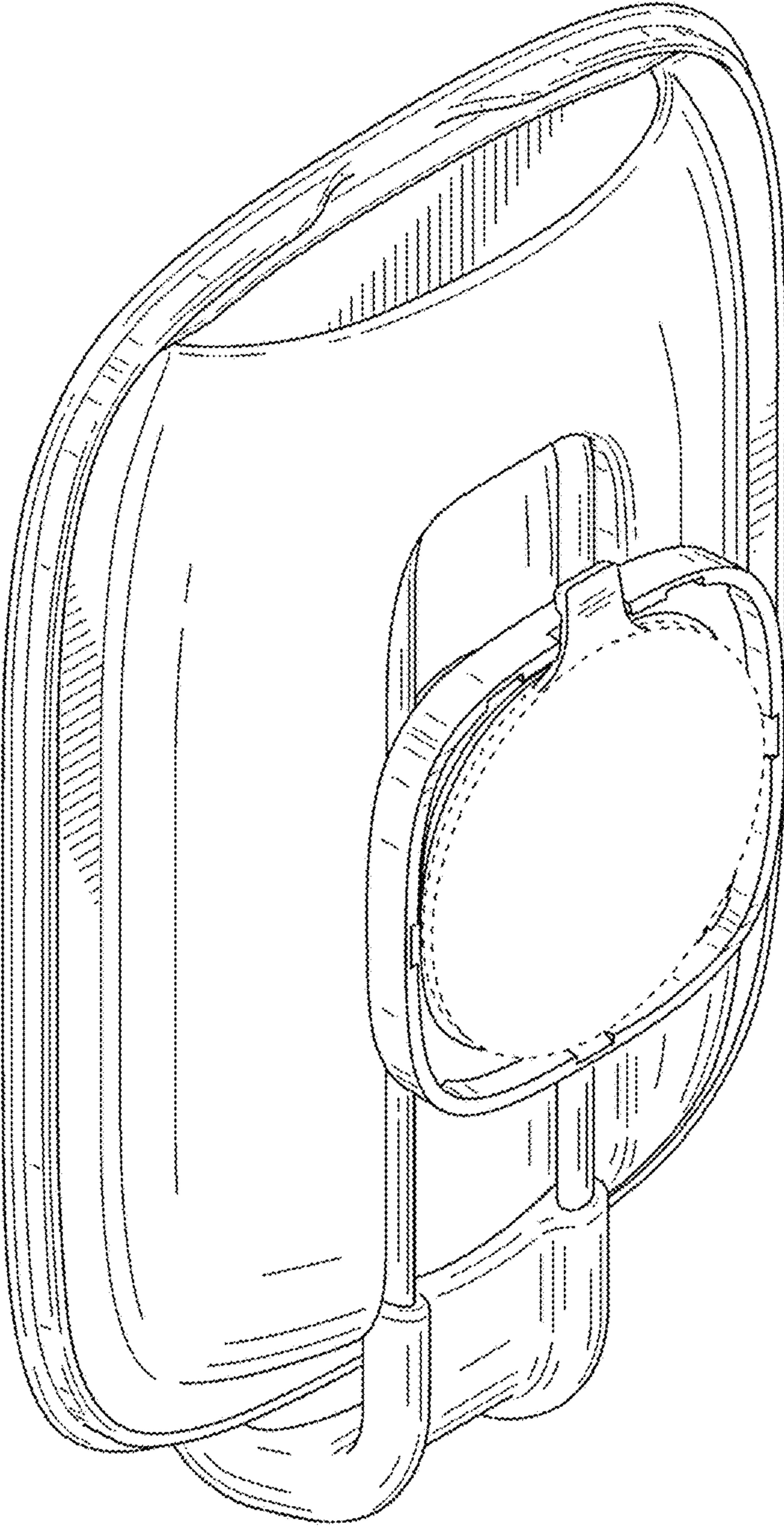


FIG. 16