

US00D812381S

(12) **United States Design Patent**
Walls

(10) **Patent No.:** **US D812,381 S**
(45) **Date of Patent:** **** Mar. 13, 2018**

(54) **PROTECTIVE PAINT BRUSH COVER**

(71) Applicant: **Alfonso Walls**, Greensboro, NC (US)

(72) Inventor: **Alfonso Walls**, Greensboro, NC (US)

(**) Term: **15 Years**

(21) Appl. No.: **29/580,570**

(22) Filed: **Oct. 11, 2016**

(51) **LOC (11) Cl.** **04-99**

(52) **U.S. Cl.**
USPC **D4/199**

(58) **Field of Classification Search**
USPC D3/228, 269, 300; D4/199; D9/702,
D9/711, 712; 15/246, 247; 150/161;
206/15.3, 284, 361, 362.2, 362.3, 362.4;
428/34.3

CPC .. A46B 17/04; A46B 2200/202; B65D 25/105
See application file for complete search history.

(56) **References Cited**

U.S. PATENT DOCUMENTS

- 4,423,811 A * 1/1984 Knapp B65D 43/162
206/15.3
- 4,606,456 A 8/1986 Kaminski
- D329,144 S * 9/1992 Kurtz D4/199
- 5,191,973 A * 3/1993 Shteynberg B65D 73/0071
206/15.2
- D350,234 S * 9/1994 Losole D4/199
- 5,363,959 A 11/1994 Crosby
- 5,645,167 A * 7/1997 Conrad B44D 3/125
206/1.5
- D393,545 S * 4/1998 Fernandes D4/199
- D401,765 S * 12/1998 Soutullo D4/199
- D436,450 S * 1/2001 Wilson D4/199
- D457,732 S * 5/2002 Ray D4/199
- 6,575,295 B2 6/2003 Mayfield
- D510,813 S * 10/2005 Gilman D3/228
- D511,412 S * 11/2005 Madrid D3/228

- D558,983 S * 1/2008 Phillips D4/199
- D560,366 S * 1/2008 Phillips D4/199
- D572,907 S * 7/2008 Byrne D4/199
- D595,510 S * 7/2009 Choi D4/199
- D623,862 S * 9/2010 Nitzsche D4/199
- D657,650 S * 4/2012 Rubin D26/38
- D661,907 S * 6/2012 Birkland D4/199
- D727,034 S * 4/2015 Lewis D4/199
- D735,382 S * 7/2015 Blanchette D26/38
- 9,084,474 B2 * 7/2015 DePaola, Jr. B44D 3/125
- D768,999 S * 10/2016 Schlegel D4/199
- D782,204 S * 3/2017 Stein D4/199
- D784,029 S * 4/2017 Hammond D4/199
- 2003/0062280 A1 * 4/2003 Davis A46B 17/04
206/362.4
- 2004/0050732 A1 3/2004 Baker
- 2006/0000730 A1 * 1/2006 Llano B65D 5/008
206/362.4

(Continued)

FOREIGN PATENT DOCUMENTS

WO 2013163392 A 10/2013

Primary Examiner — Austin Murphy

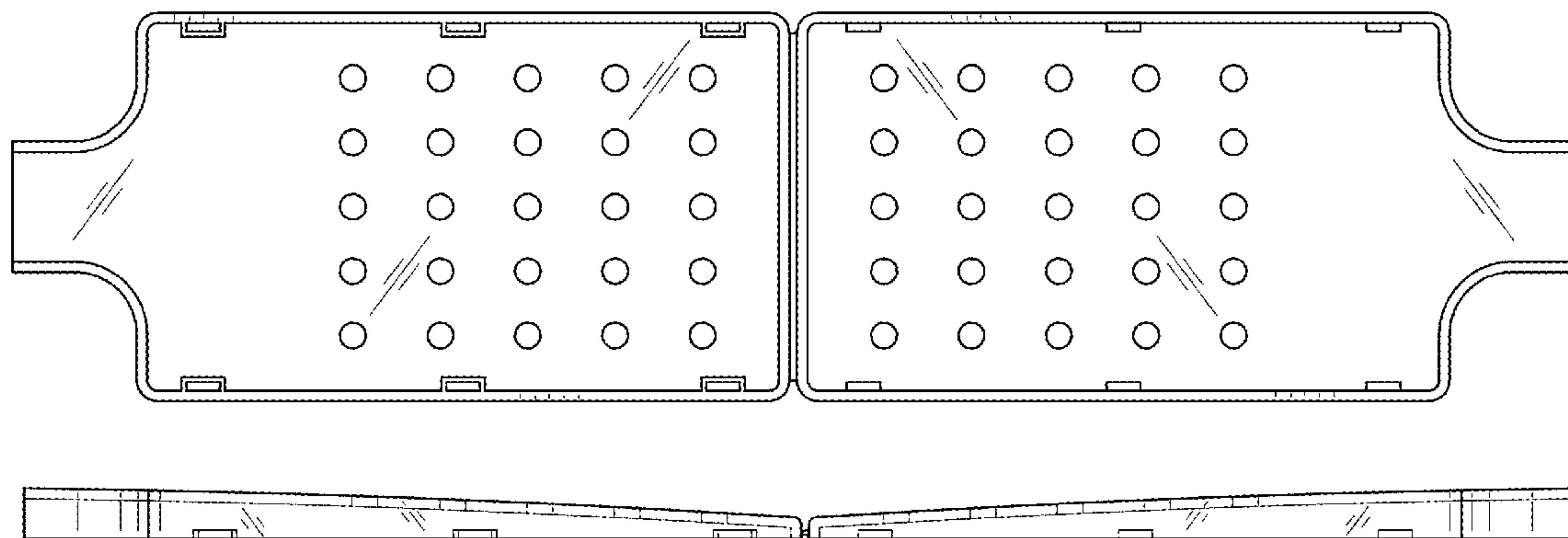
(57) **CLAIM**

I claim the ornamental design for a protective paint brush cover, as shown and described.

DESCRIPTION

FIG. 1 is a front view of the protective paint brush cover. FIG. 2 is a back view of the claimed design. FIG. 3 is a top view of the claimed design. FIG. 4 is a side view of the claimed design. FIG. 5 is a perspective view of the claimed design; and, FIG. 6 is a perspective view of the claimed design in use with a paintbrush. The broken lines appearing on FIG. 6 of a paintbrush are environmental matter forming no part of the claimed design.

1 Claim, 4 Drawing Sheets



(56)

References Cited

U.S. PATENT DOCUMENTS

2007/0062829 A1 3/2007 Crocker
2012/0294470 A1* 11/2012 Saltalamacchia A46B 5/02
381/334

* cited by examiner

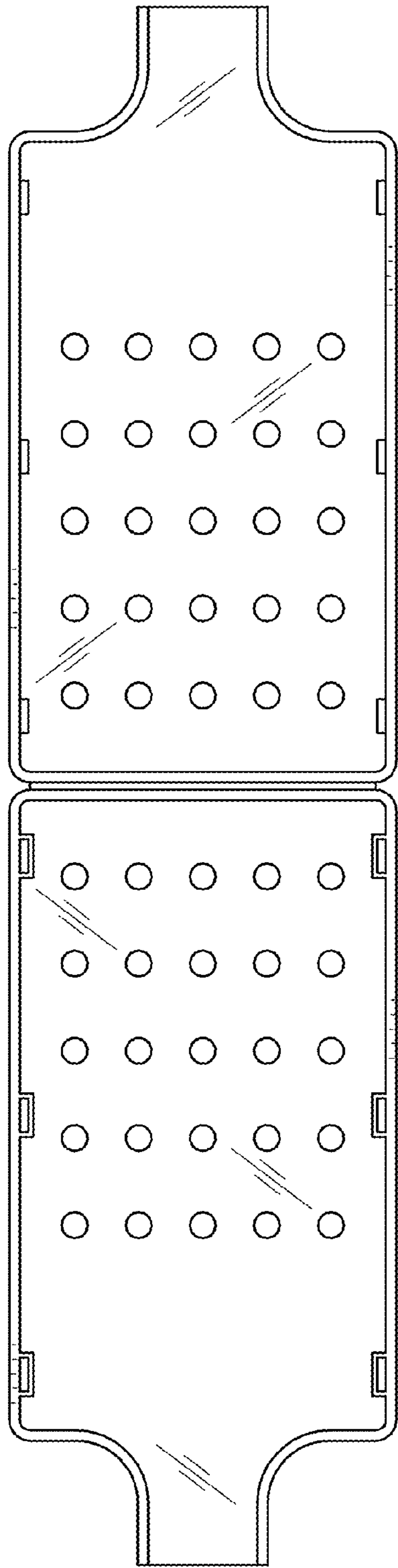


FIG. 1

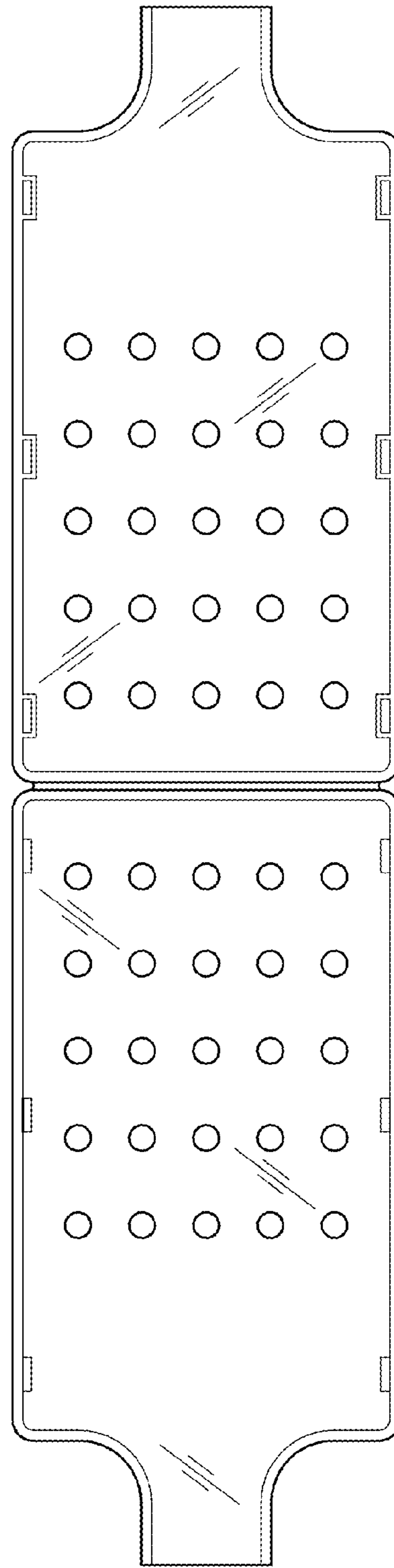


FIG. 2

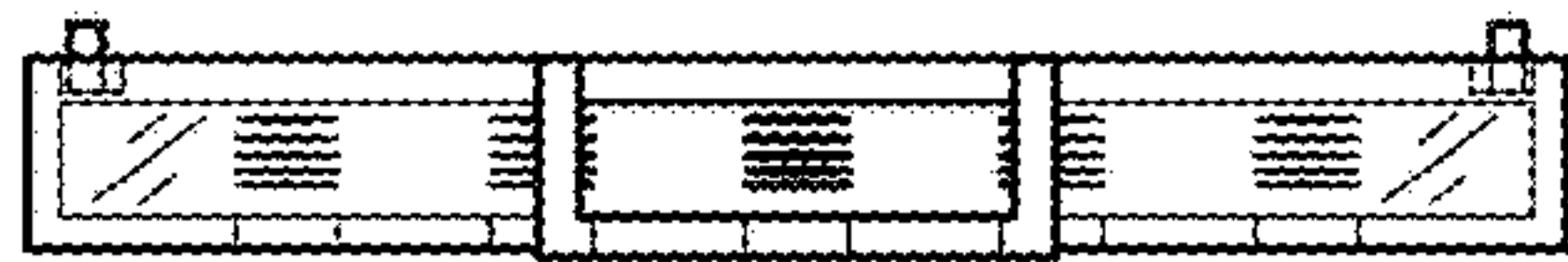


FIG. 3

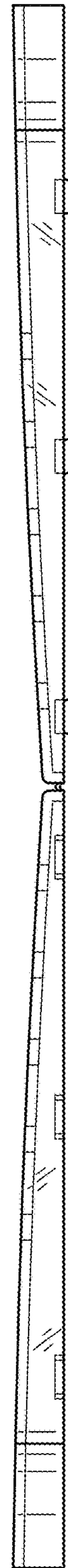


FIG. 4

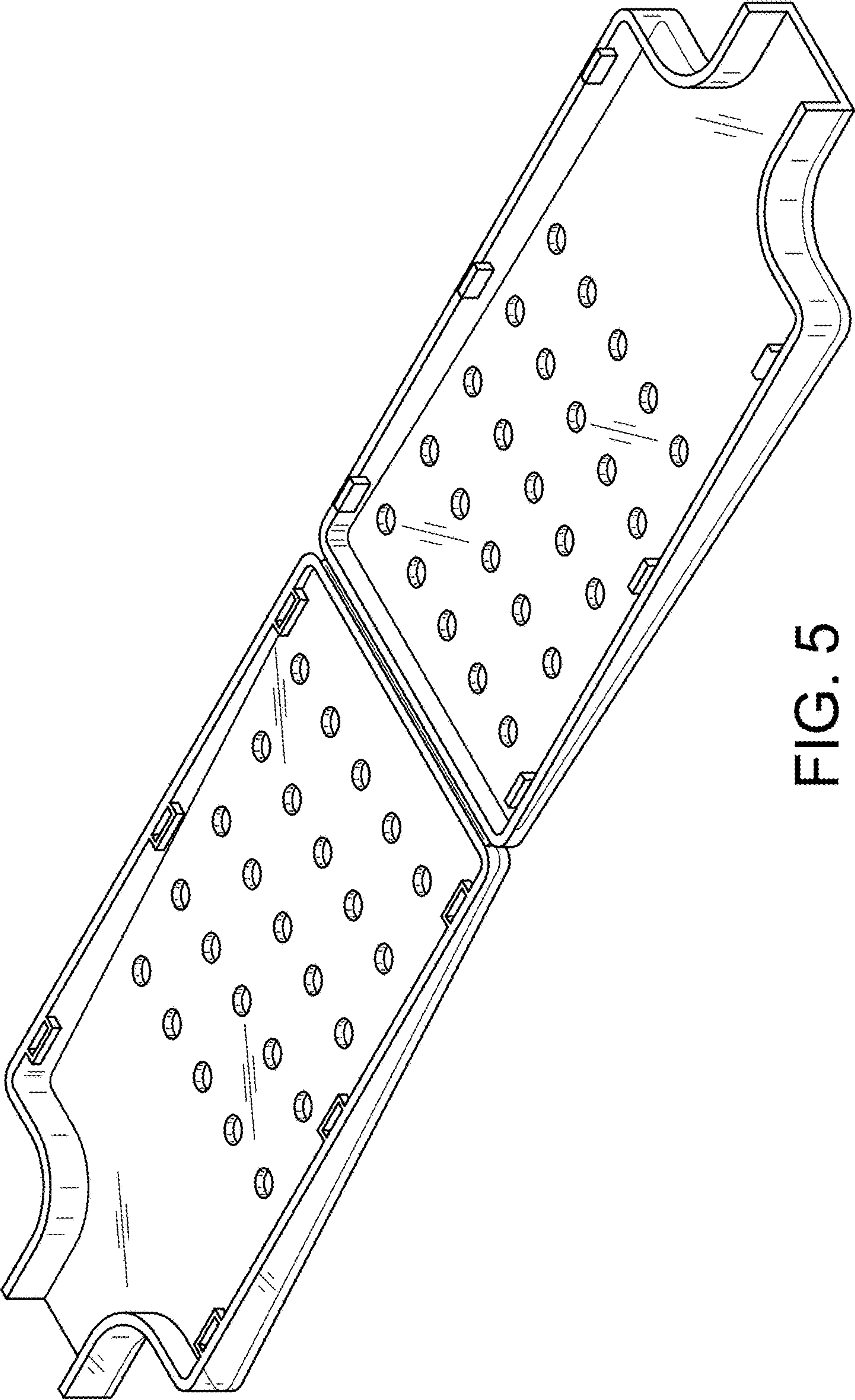


FIG. 5

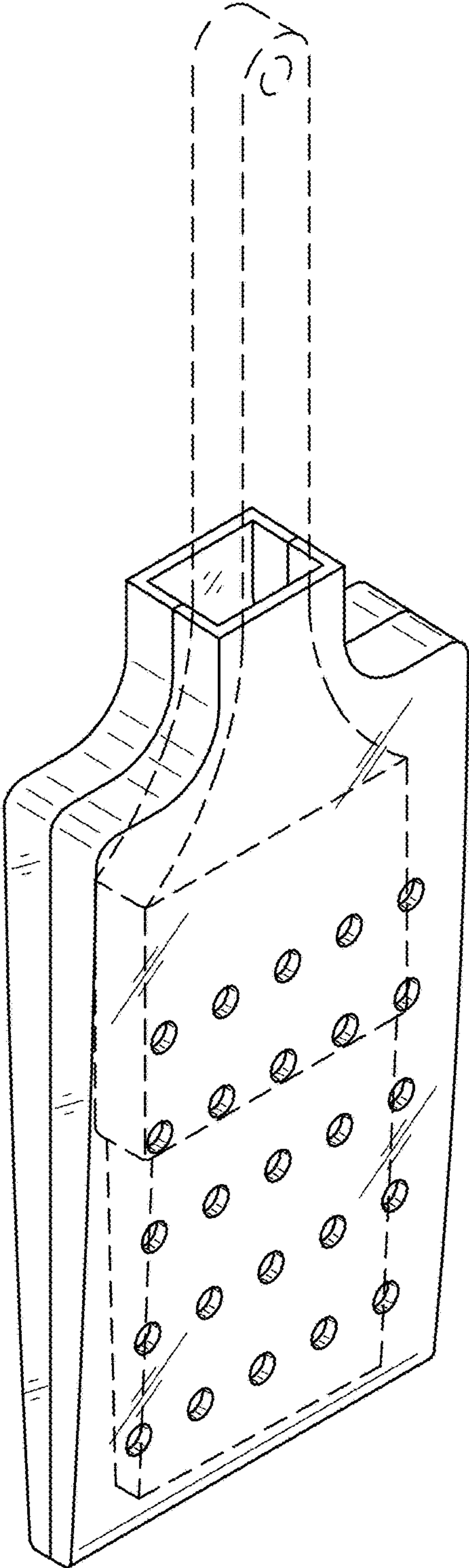


FIG. 6