



US00D812377S

(12) **United States Design Patent**
Shpitzer et al.

(10) **Patent No.:** **US D812,377 S**
(45) **Date of Patent:** **** Mar. 13, 2018**

- (54) **OPEN TOP STORAGE** 4,720,020 A * 1/1988 Su B65D 19/42
220/1.5
- (71) Applicant: **The Stanley Works Israel Ltd., Rosh** D358,484 S * 5/1995 Cautereels D3/310
Ha' Ayin (IL) D395,362 S * 6/1998 Fink D3/307
D395,756 S * 7/1998 Tanji D3/304
- (72) Inventors: **Yaron Shpitzer, Rishon Le Tsiyon (IL);** D397,250 S * 8/1998 Fink D3/309
Danny Baruch, Lapid (IL) D448,567 S * 10/2001 Buss D3/304
D635,769 S * 4/2011 Sosnovsky D3/304
D743,171 S * 11/2015 Reinhart D3/279
D778,611 S * 2/2017 Shpitzer D3/304
- (73) Assignee: **THE STANLEY WORKS ISRAEL LTD (IL)**

* cited by examiner

(**) Term: **15 Years**

Primary Examiner — Kelley Donnelly

(21) Appl. No.: **29/579,999**

(74) *Attorney, Agent, or Firm* — Carl E. Myers

(22) Filed: **Oct. 5, 2016**

(57) **CLAIM**

(51) **LOC (11) Cl.** **03-01**

The ornamental design for an open top storage, as shown and described.

(52) **U.S. Cl.**
USPC **D3/304**

DESCRIPTION

(58) **Field of Classification Search**
USPC D6/672, 675; D7/601–602; D3/272,
D3/304, 307, 308, 309, 312, 314, 315,
D3/905
CPC B65D 11/00; B65D 11/14; B65D 11/20;
B65D 71/0003; B65D 1/243
See application file for complete search history.

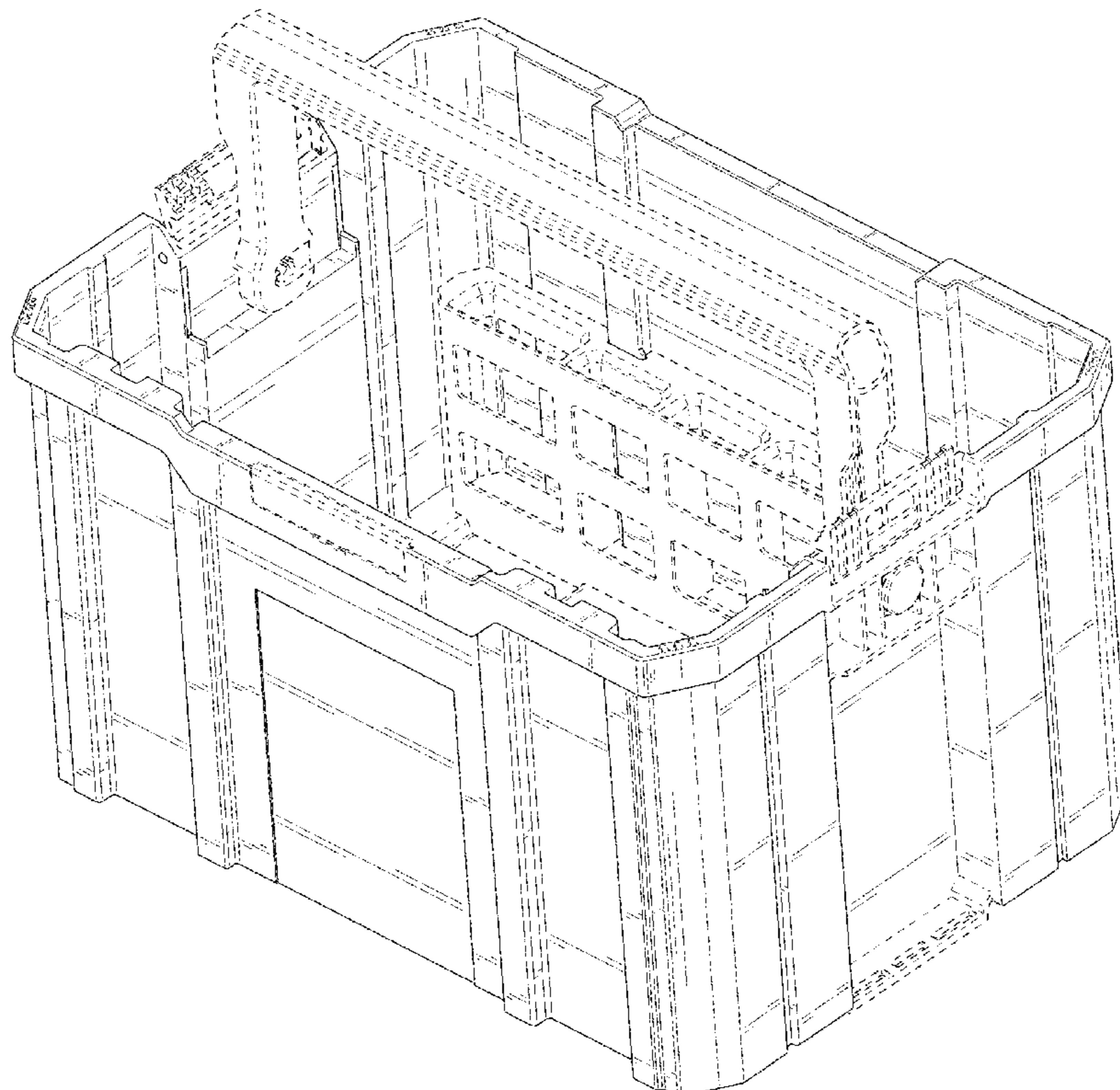
FIG. 1 is a perspective view of our new design.
FIG. 2 is a front view thereof.
FIG. 3 is a back view thereof.
FIG. 4 is a top view thereof.
FIG. 5 is a bottom view thereof.
FIG. 6 is a right side view thereof; and,
FIG. 7 is a left side view thereof.
The broken lines shown are for the purposes of illustrating the environment of the article only and form no part of the claimed design.

(56) **References Cited**

U.S. PATENT DOCUMENTS

- D141,398 S * 5/1945 Livesay D3/309
- D155,392 S * 10/1949 Danielson D3/309

1 Claim, 7 Drawing Sheets



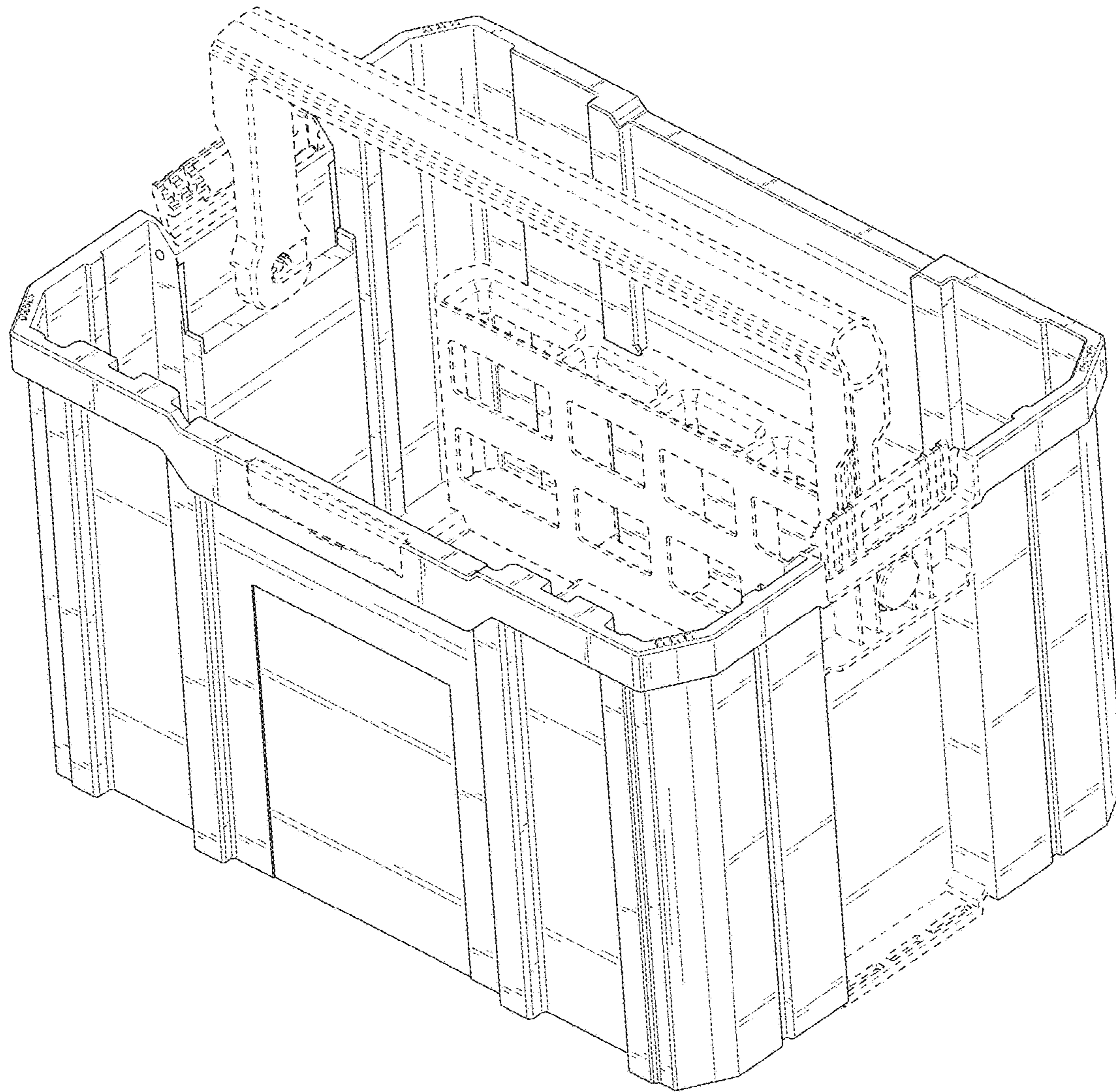


FIG. 1

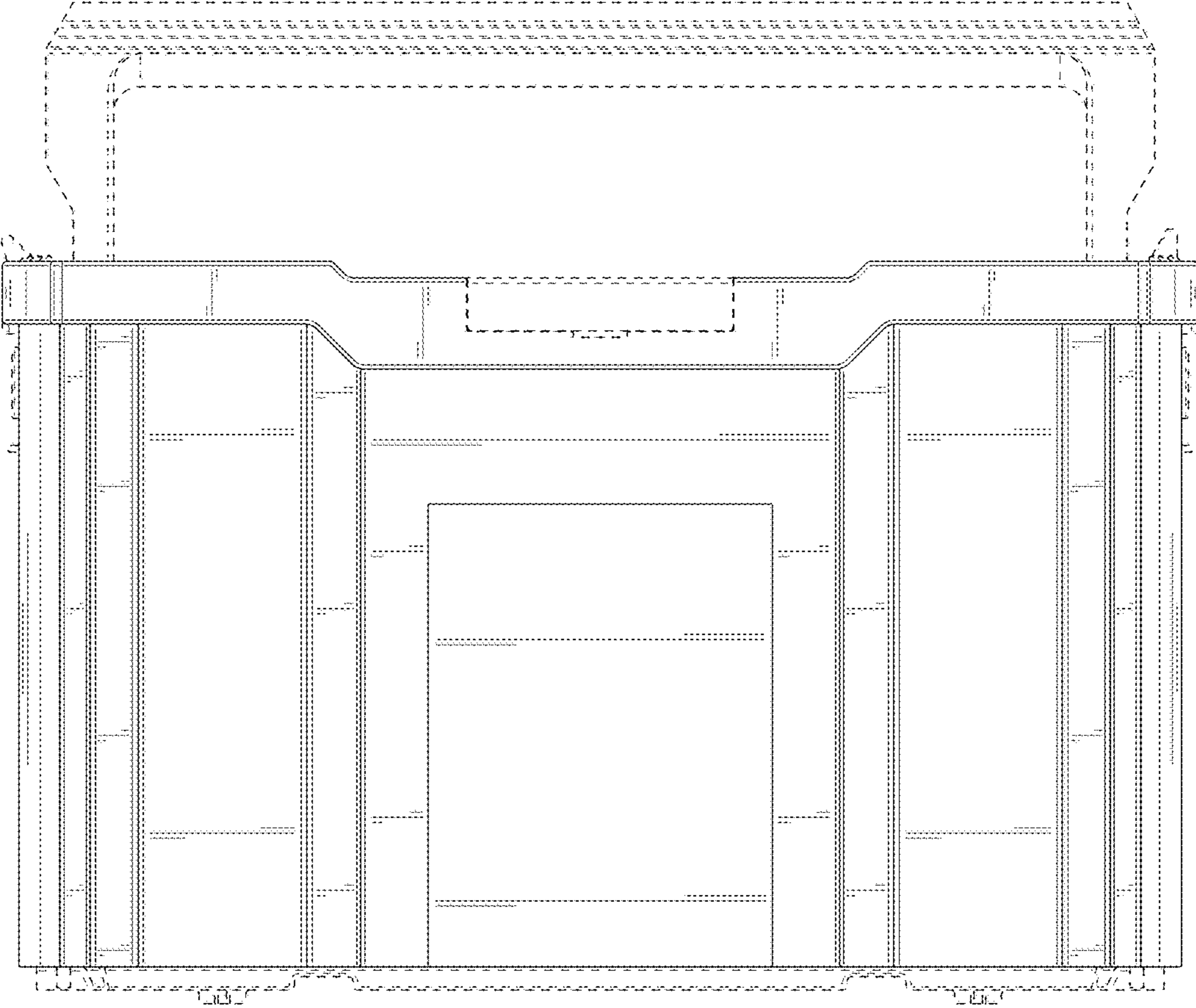


FIG. 2

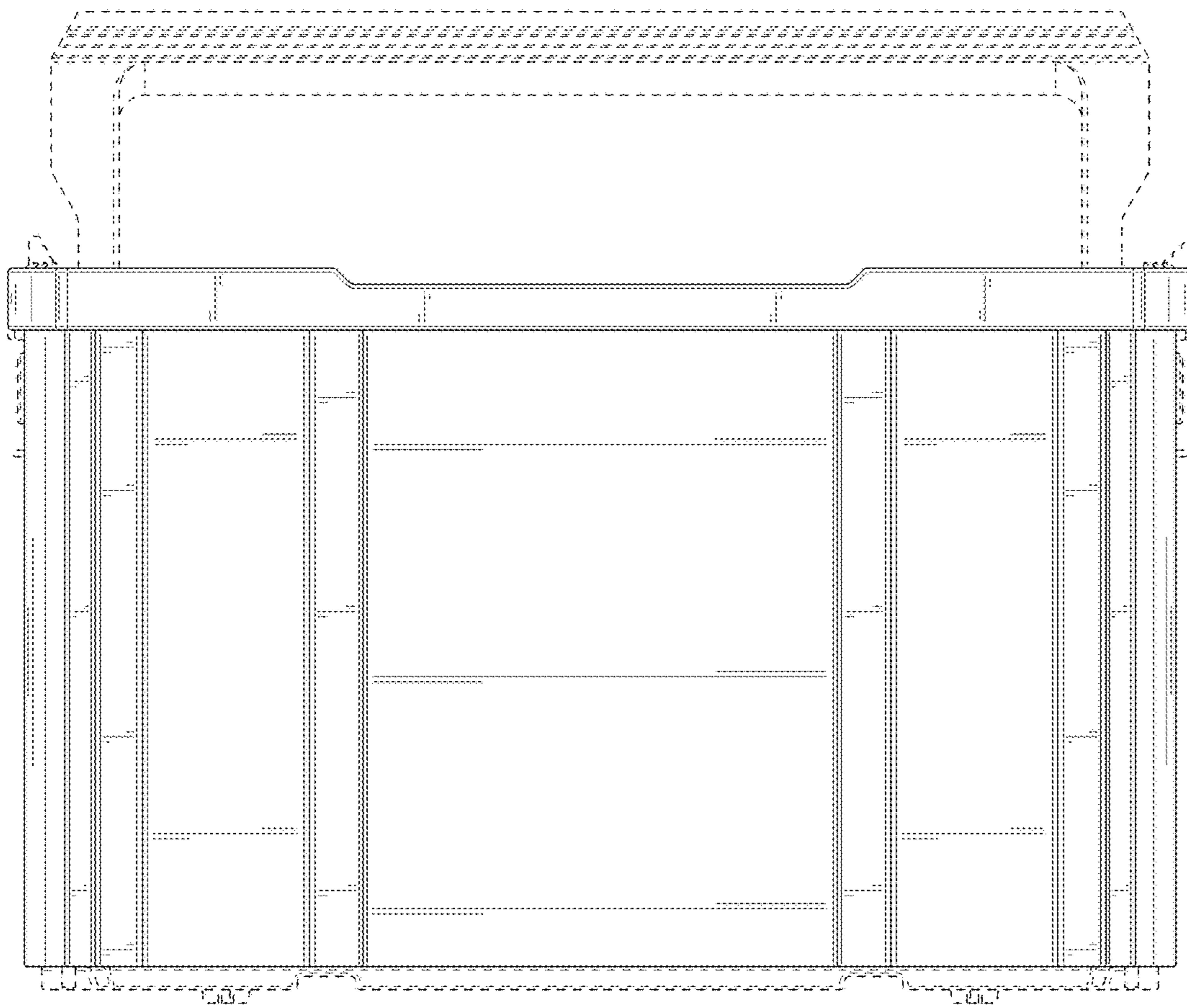


FIG. 3

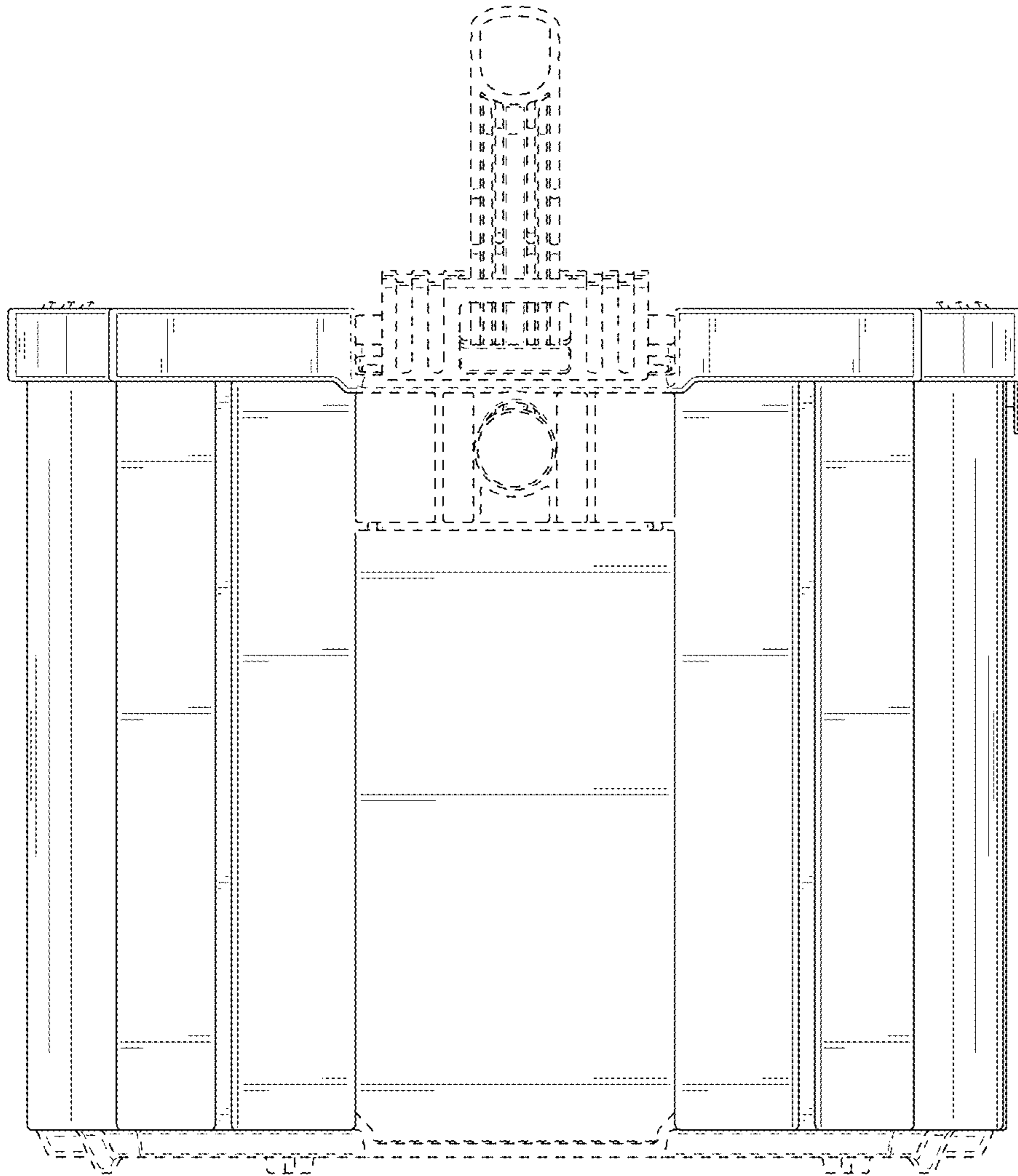


FIG. 4

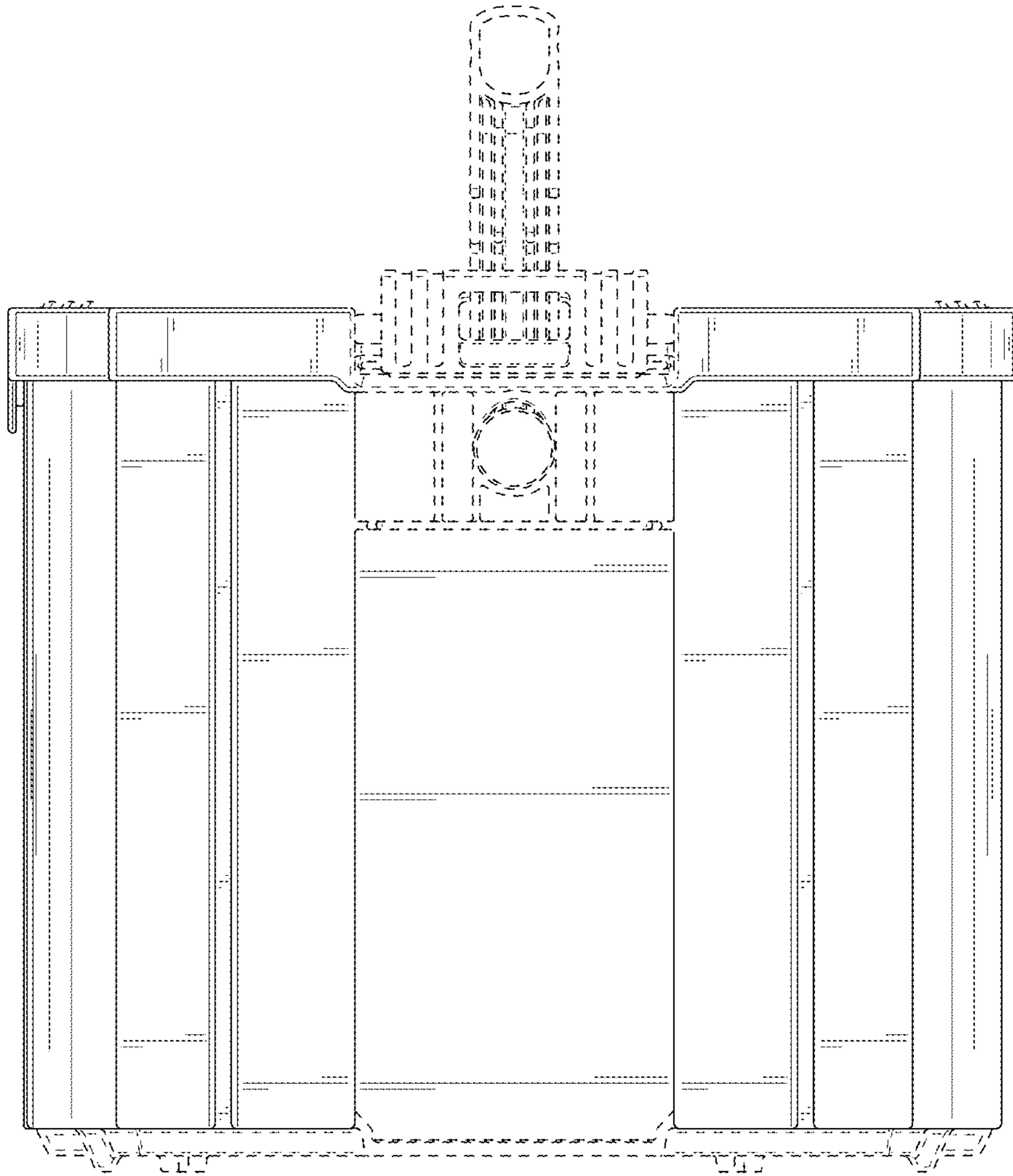


FIG. 5

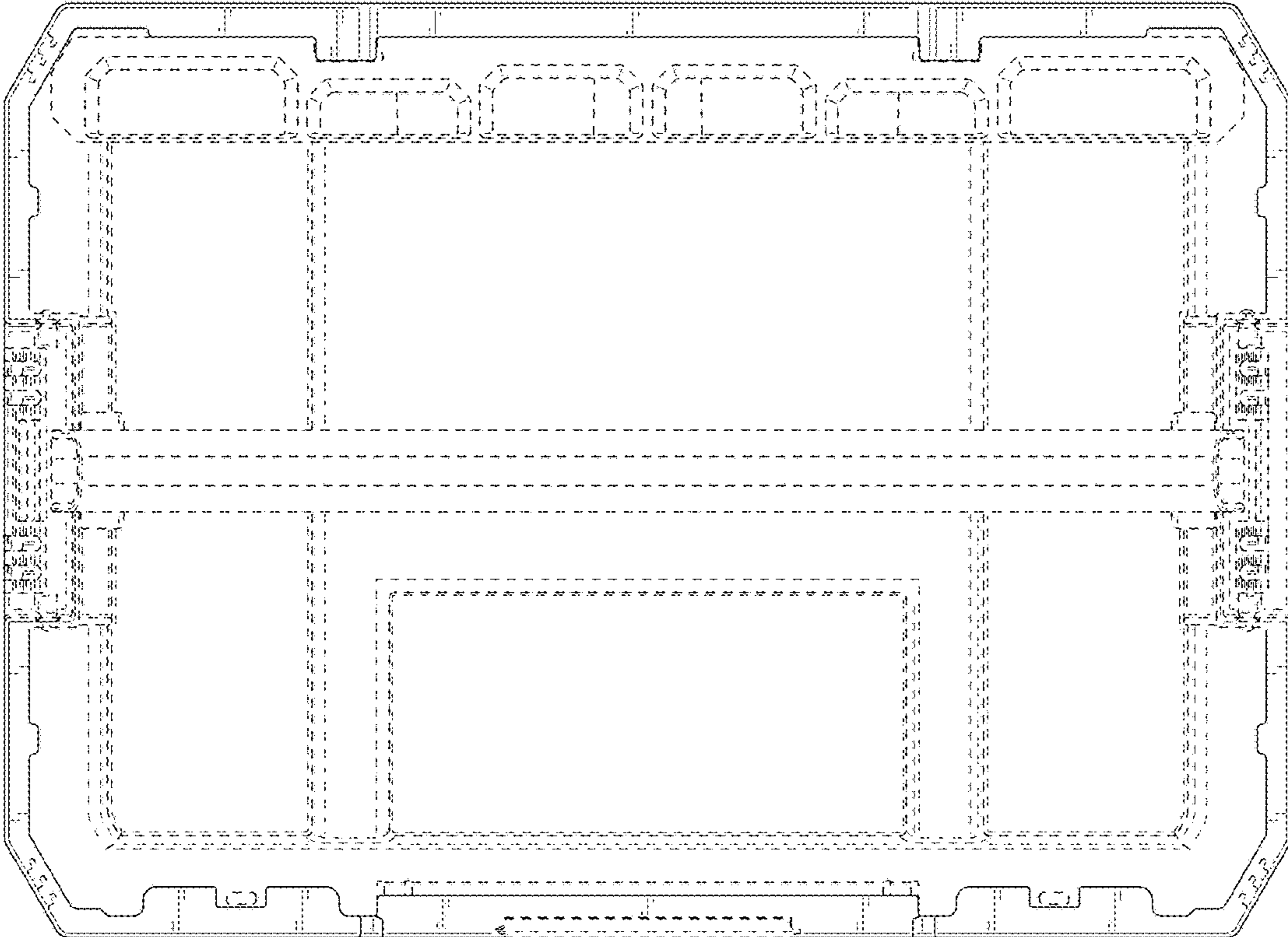


FIG. 6

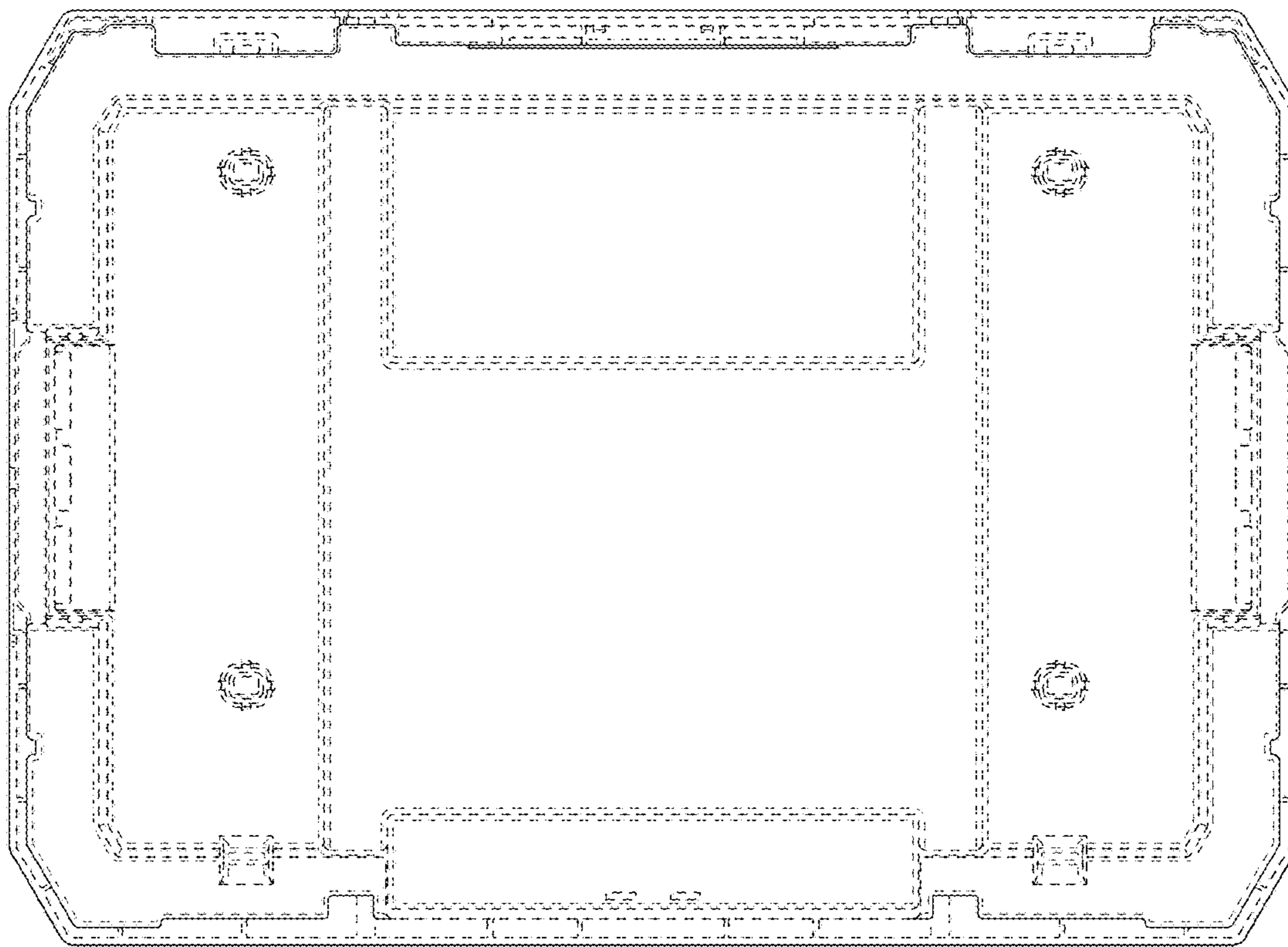


FIG. 7