



US00D812374S

(12) **United States Design Patent**  
**Tilk et al.**

(10) **Patent No.:** **US D812,374 S**  
(45) **Date of Patent:** **\*\* Mar. 13, 2018**

(54) **TOOLBOX**

(71) Applicant: **Matco Tools Corporation**, Stow, OH  
(US)

(72) Inventors: **Jason Tilk**, Cleveland, OH (US); **Bill Rabbitt**, Cleveland, OH (US); **Alex Lei Velet**, Cleveland, OH (US); **Maynard Payumo**, Cleveland, OH (US); **Danwei Ye**, Cleveland, OH (US)

(73) Assignee: **Matco Tools Corporation**, Stow, OH  
(US)

(\*\*) Term: **15 Years**

(21) Appl. No.: **29/543,675**

(22) Filed: **Oct. 27, 2015**

(51) **LOC (11) Cl.** ..... **03-01**

(52) **U.S. Cl.**  
USPC ..... **D3/273; D3/905**

(58) **Field of Classification Search**  
USPC ..... D3/273, 276, 279, 281, 282, 283, 284,  
D3/291, 294, 295, 296, 297, 905, 900;  
D6/671.2, 670, 702  
CPC ..... B25H 3/00; B25H 3/003; B25H 3/02  
See application file for complete search history.

(56) **References Cited**

U.S. PATENT DOCUMENTS

2,981,549 A	1/1959	Hotton	
D205,522 S *	8/1966	Doman	D3/297
D205,523 S	8/1966	Doman	
D212,661 S *	11/1968	Gigliuto	D28/9
D218,080 S *	7/1970	Sierzega	D3/297
4,120,549 A *	10/1978	Bureau	B25H 3/00 280/47.35
D258,175 S *	2/1981	Hazeltine	D3/284
D263,896 S *	4/1982	Glasgow	D3/275
D272,111 S	1/1984	Anzalone	
D273,906 S	5/1984	Norlin	
D283,263 S *	4/1986	Richey	D34/19

D307,977 S \* 5/1990 Egly ..... D6/407  
D316,493 S \* 4/1991 Martino ..... D3/905  
D326,198 S \* 5/1992 Pacetti ..... D34/19  
D333,568 S \* 3/1993 Dickinson ..... D3/286  
5,221,132 A 6/1993 Combs et al.  
(Continued)

OTHER PUBLICATIONS

Image file from pinterist.com, Accessed Feb. 15, 2017, dated Aug. 1, 2010. (<https://s-media-cache-ak0.pinimg.com/736x/bd/a4/00/bda400d0d7618ef4bea7bef0201c3e87.jpg>).

*Primary Examiner* — Jennifer Rivard

*Assistant Examiner* — April Rivas

(74) *Attorney, Agent, or Firm* — Hahn Loeser & Parks  
LLP

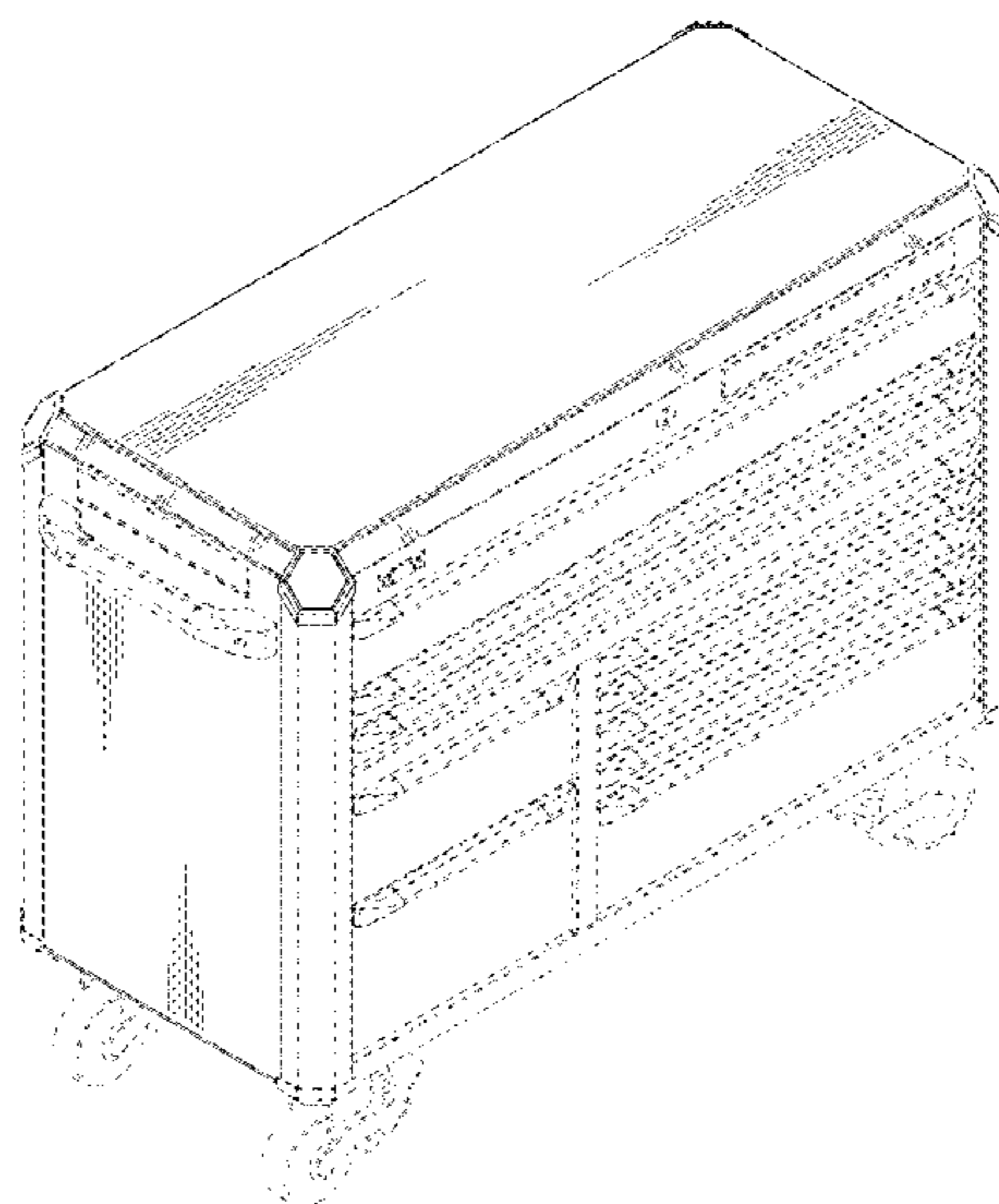
(57) **CLAIM**

The ornamental design for a toolbox, as shown and described.

**DESCRIPTION**

FIG. 1 is a top left front perspective view of a toolbox, according to the inventor;  
FIG. 2 is a top left rear perspective view of the toolbox illustrated in FIG. 1;  
FIG. 3 is a bottom left front perspective view of the toolbox illustrated in FIG. 1;  
FIG. 4 is a top view of the toolbox illustrated in FIG. 1;  
FIG. 5 is a bottom view of the toolbox illustrated in FIG. 1;  
FIG. 6 is a left side view of the toolbox illustrated in FIG. 1;  
FIG. 7 is a right side view of the toolbox illustrated in FIG. 1;  
FIG. 8 is a front view of the toolbox illustrated in FIG. 1; and,  
FIG. 9 is a rear view of the toolbox illustrated in FIG. 1.  
The broken lines shown in the drawings illustrate portions of the toolbox and form no part of the claimed design.

**1 Claim, 7 Drawing Sheets**



(56)

References Cited

U.S. PATENT DOCUMENTS

D341,253 S *	11/1993	Ballman	.....	D3/297	D608,109 S	1/2010	Hand	
5,308,156 A *	5/1994	Gutierrez	.....	F25D 19/00 312/236	D610,830 S *	3/2010	Hand	..... D3/297
D353,046 S *	12/1994	Whitaker	.....	D12/414.1	D610,831 S	3/2010	Hand	
5,482,162 A	1/1996	Dickinson			D611,273 S *	3/2010	Kohagen	..... D3/297
5,720,535 A	2/1998	Mehman			D613,972 S	4/2010	Hand	
5,857,757 A *	1/1999	Bieker	.....	A47B 67/04 206/373	7,784,887 B2	8/2010	Grela et al.	
D423,817 S	5/2000	Holcomb et al.			D636,615 S	4/2011	Grela	
D423,818 S	5/2000	Holcomb et al.			D642,404 S	8/2011	Koehn	
D427,807 S	7/2000	Holcomb et al.			D644,037 S	8/2011	Koehn	
D430,426 S *	9/2000	Bieker	.....	D3/905	D651,022 S *	12/2011	Koehn	..... D6/702
D477,724 S	7/2003	Bishop			D664,790 S	8/2012	Christopher	
6,719,384 B1 *	4/2004	Parise	.....	B25H 3/00 312/249.9	D665,597 S	8/2012	Dufoure et al.	
D505,261 S *	5/2005	Richardson	.....	D3/273	D666,817 S *	9/2012	Koehn	..... D3/284
D514,854 S	2/2006	Schmidt et al.			8,613,456 B2	12/2013	Grela et al.	
D517,805 S *	3/2006	Hosking	.....	D3/291	8,851,585 B2	10/2014	Chang	
D521,730 S *	5/2006	Lang	.....	D3/273	D723,841 S	3/2015	Troyner et al.	
7,338,354 B2	3/2008	Liu			D742,639 S *	11/2015	Suggs	..... D3/279
D574,628 S	8/2008	Grela			2005/0077805 A1	4/2005	Dalebout et al.	
D584,903 S	1/2009	Hand			2006/0103278 A1	5/2006	Bousquet	
D586,163 S	2/2009	Hand			2009/0102337 A1	4/2009	Grela	
D587,014 S *	2/2009	Hand	.....	D3/318	2010/0046791 A1 *	2/2010	Glickman	..... G06K 9/209 382/100
D587,048 S	2/2009	Hand			2010/0282629 A1	11/2010	Grela	
D588,849 S	3/2009	Kalkwarf			2012/0176008 A1	7/2012	Grela et al.	
D592,424 S	5/2009	Hand			2013/0221820 A1 *	8/2013	Chang	..... B25H 3/02 312/330.1
D599,579 S	9/2009	Hand			2014/0097731 A1 *	4/2014	Grela	..... B25H 3/00 312/237
D605,436 S *	12/2009	Malley	.....	D3/297	2015/0328768 A1 *	11/2015	Martin	..... A47B 81/00 312/237
					2016/0128471 A1 *	5/2016	Chang	..... A47B 88/047 312/249.11

\* cited by examiner

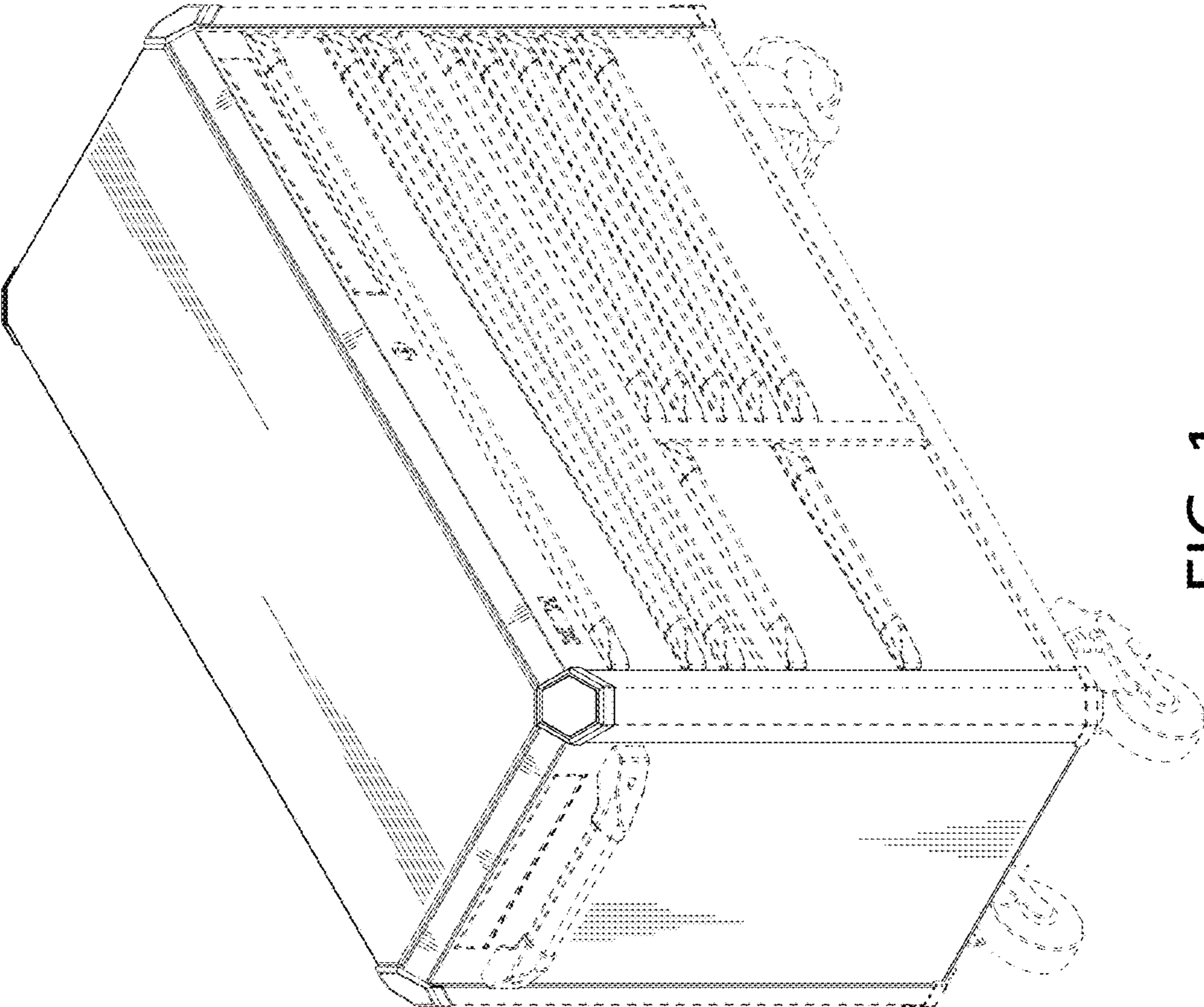


FIG. 1

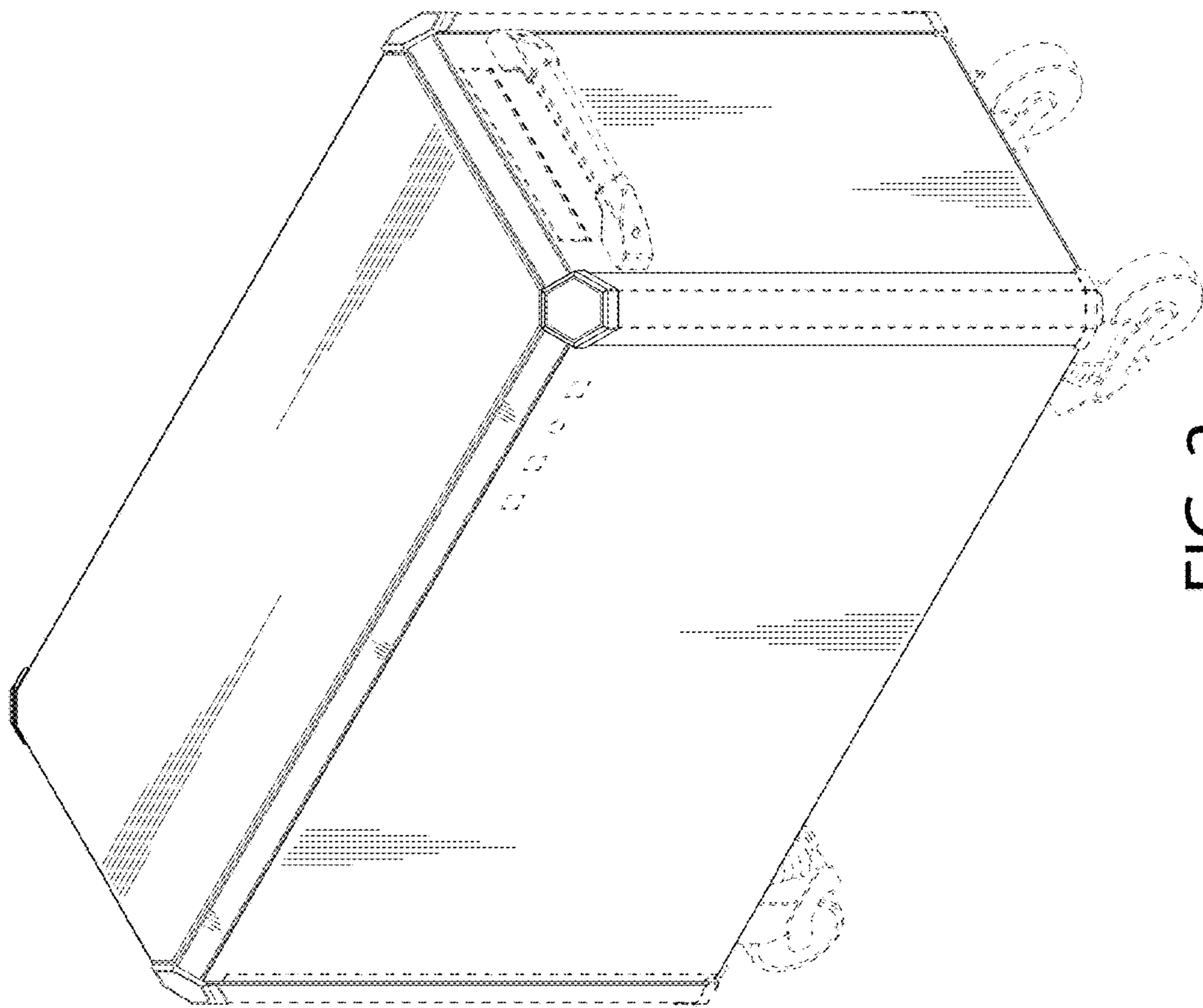


FIG. 2

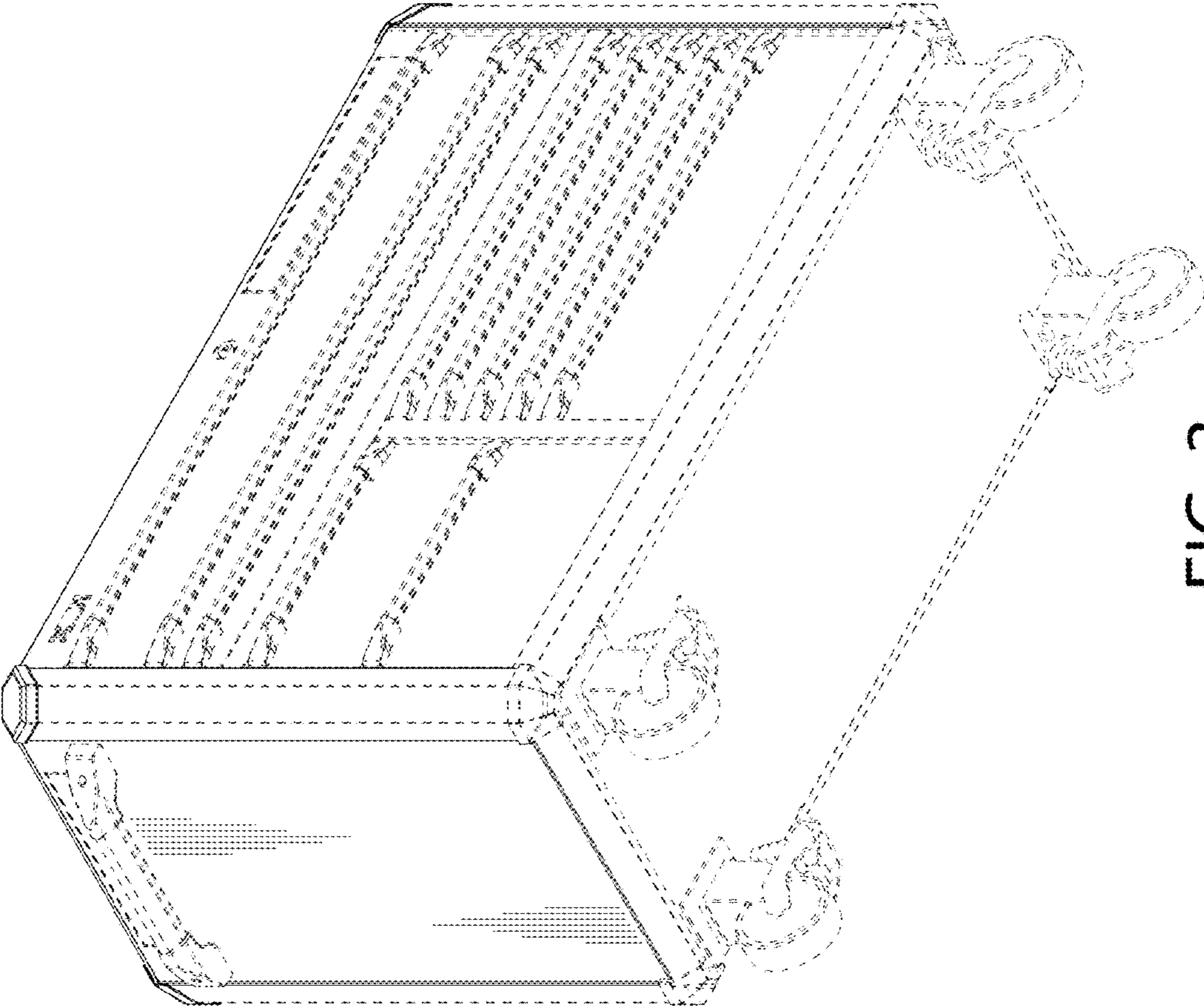


FIG. 3

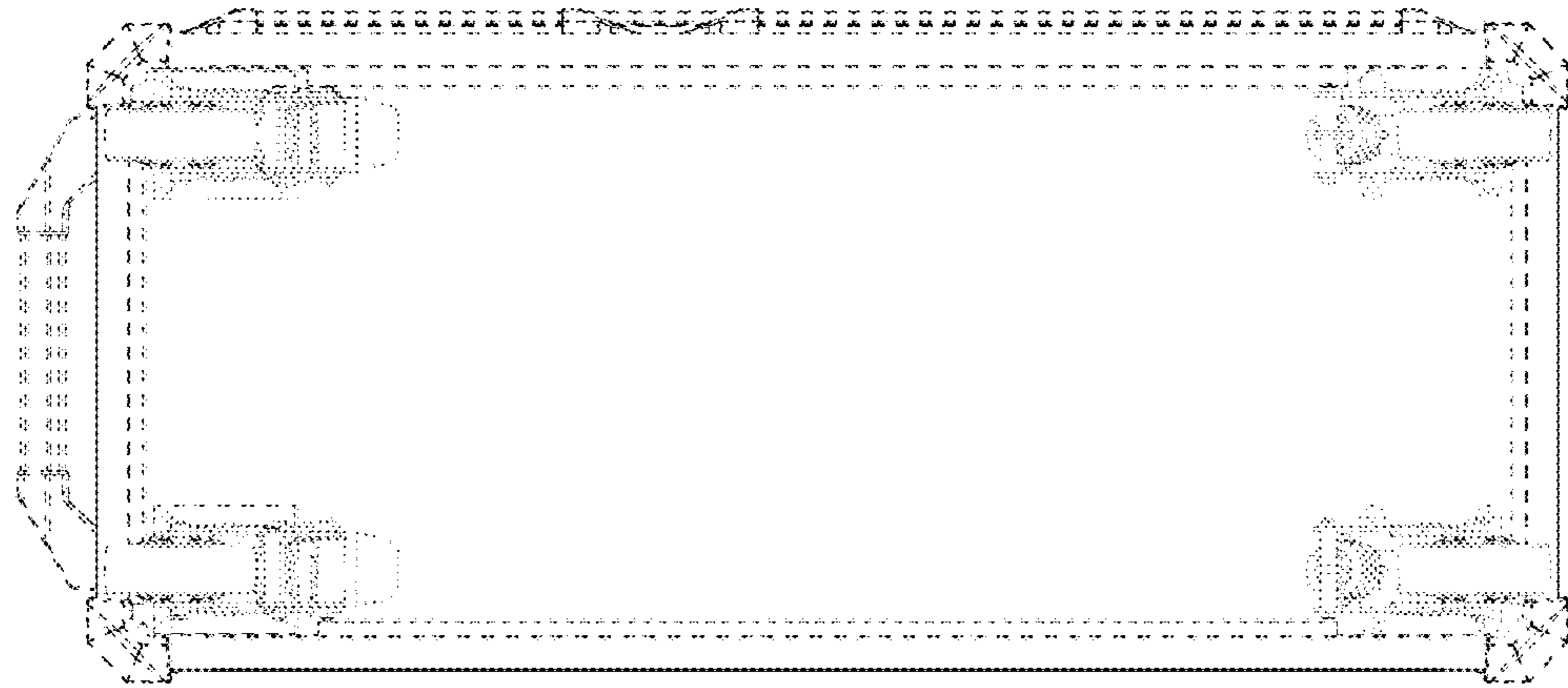


FIG. 5

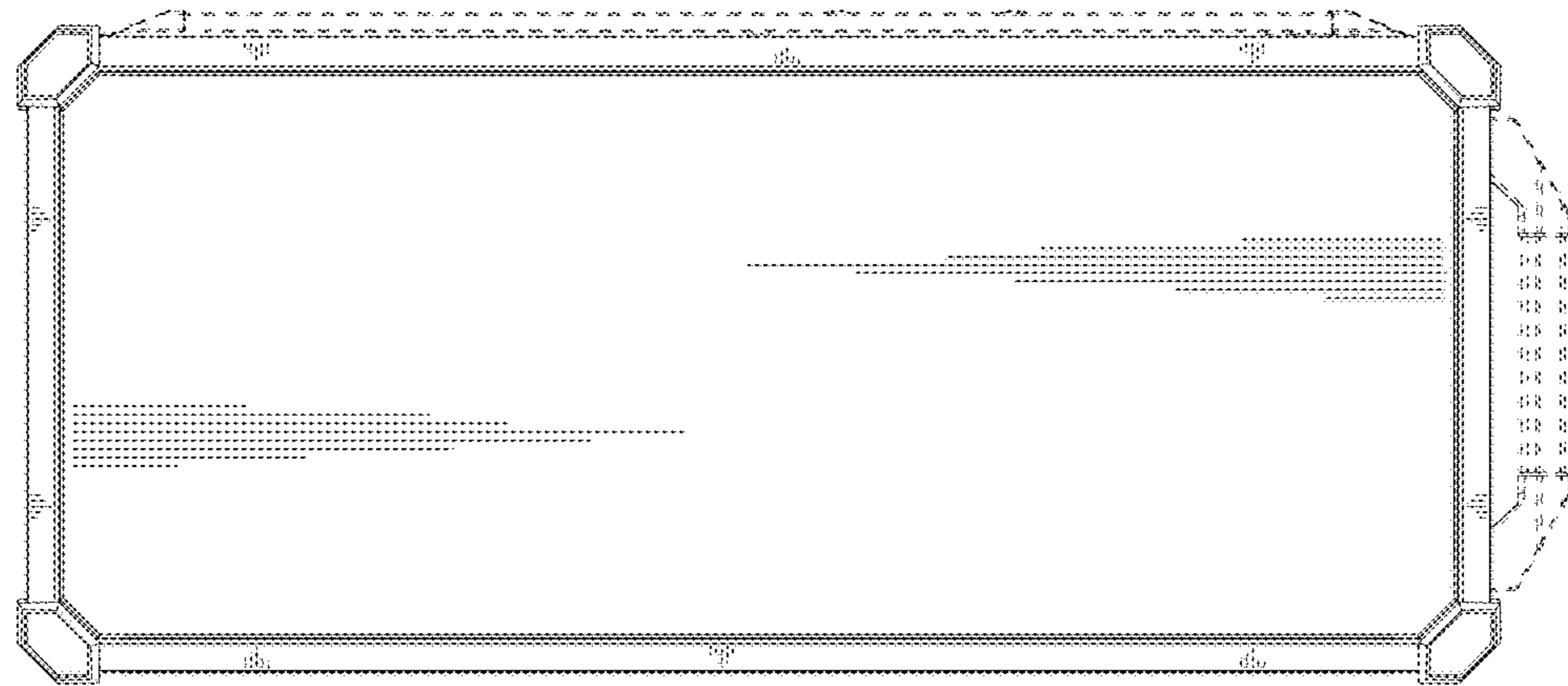


FIG. 4

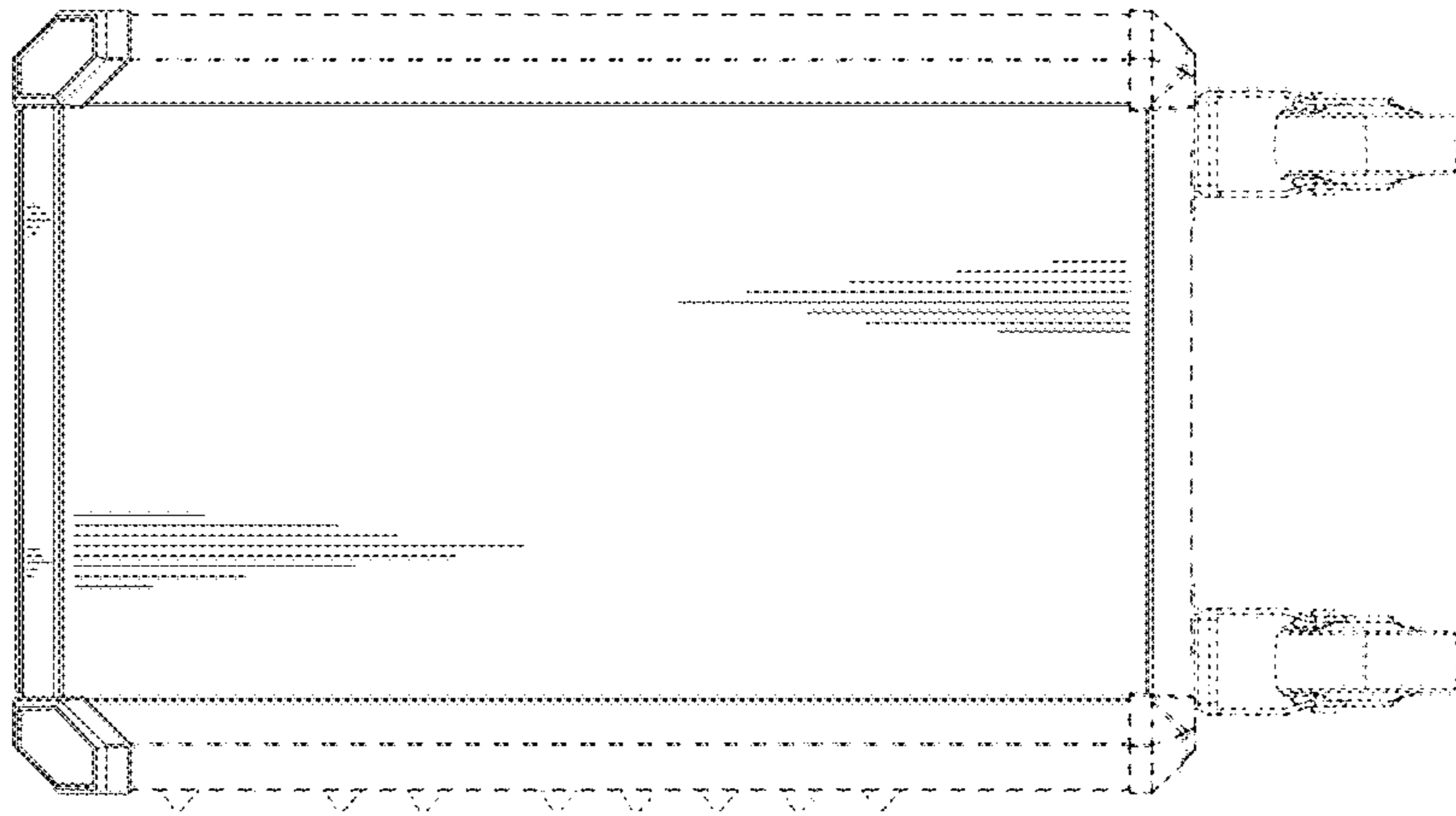


FIG. 6

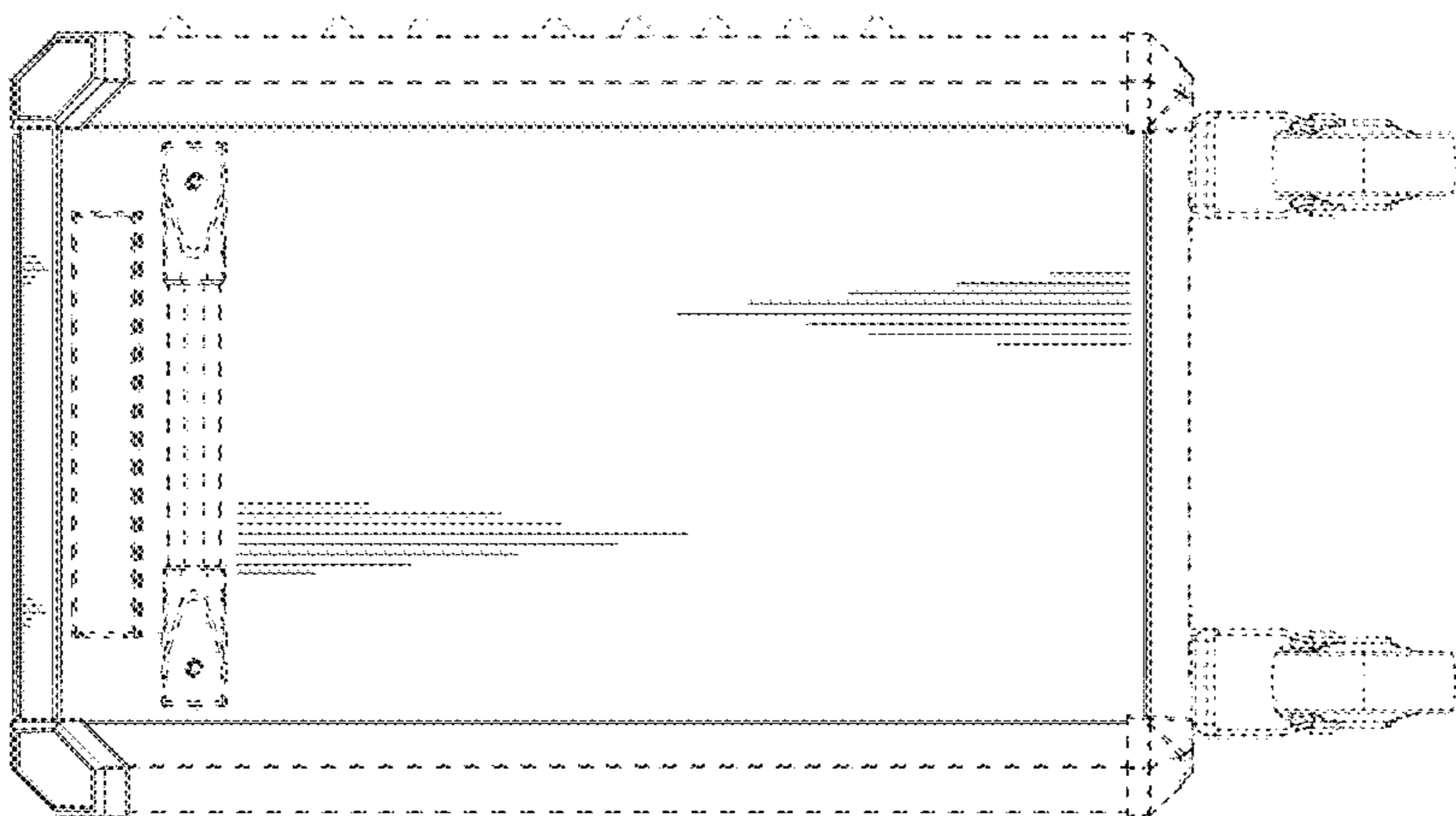


FIG. 7

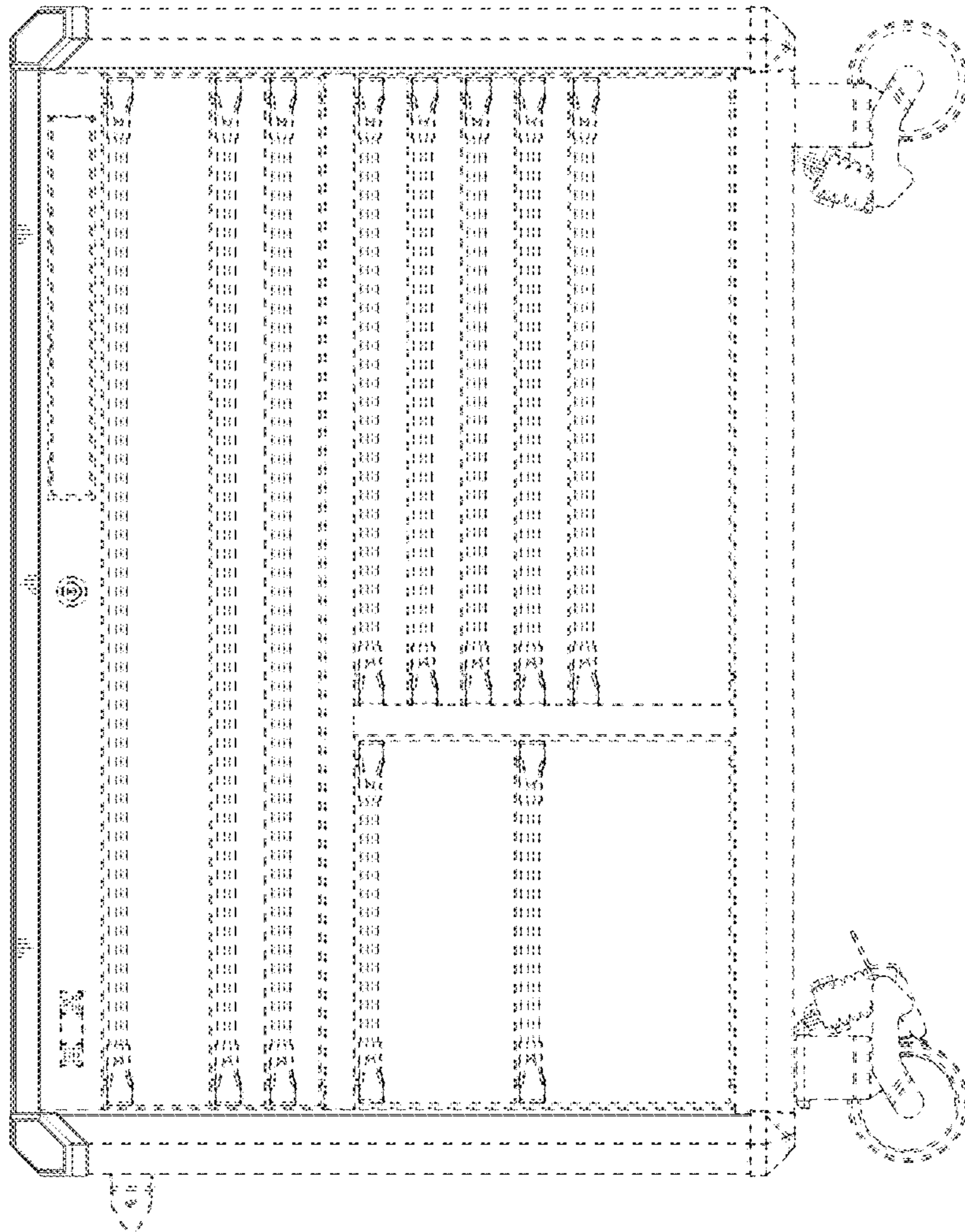


FIG. 8



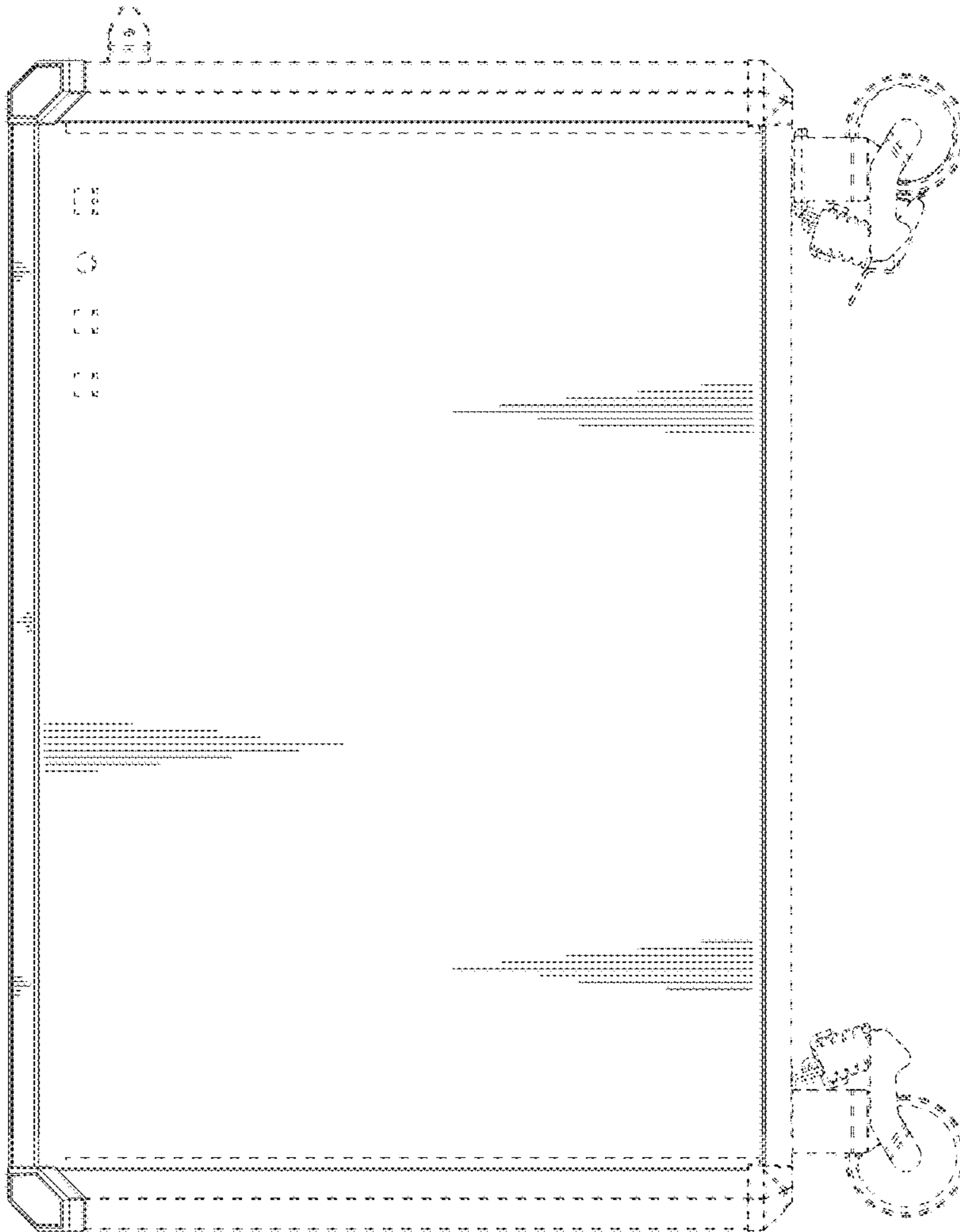


FIG. 9