



US00D812371S

(12) **United States Design Patent**
Horne

(10) **Patent No.:** **US D812,371 S**

(45) **Date of Patent:** **** *Mar. 13, 2018**

(54) **GOLF BAG ACCESSORY HANGER**

(71) Applicant: **Patrick M Horne**, Waverly, GA (US)

(72) Inventor: **Patrick M Horne**, Waverly, GA (US)

(*) Notice: This patent is subject to a terminal disclaimer.

(**) Term: **15 Years**

(21) Appl. No.: **29/548,690**

(22) Filed: **Dec. 16, 2015**

(51) **LOC (11) Cl.** **03-01**

(52) **U.S. Cl.**
USPC **D3/221**; D21/796

(58) **Field of Classification Search**
USPC D3/221, 229, 232-246, 254, 255, 273,
D3/281, 294, 300, 315, 318, 319, 320,
D3/321, 322, 323, 324, 327, 328, 328.1,
D3/329, 902-905; D6/300, 323, 327,
D6/328, 553, 527; D8/316, 318, 356,
D8/367, 370, 372, 373; D13/155, 157;
D21/319, 358, 759, 789, 796
CPC ... A63B 47/001; A63B 57/0037; A63B 57/20;
A63B 57/203

See application file for complete search history.

(56) **References Cited**

U.S. PATENT DOCUMENTS

D248,341 S *	7/1978	Gillenwater	D3/221
D252,422 S *	7/1979	Gillenwater	D3/221
D299,423 S *	1/1989	Davis	D6/539
D306,056 S *	2/1990	Tucker	D21/796
5,226,647 A *	7/1993	Notarmuzi	A24F 13/22 15/236.08
D338,048 S *	8/1993	Finley	D21/796
D338,254 S *	8/1993	Ribbeck	D21/796
D348,712 S *	7/1994	Parker, Jr.	D3/221
5,332,090 A *	7/1994	Tucker	A63B 55/408 206/315.3
D364,912 S *	12/1995	Sowers	D21/796

D395,480 S *	6/1998	Chou	D21/759
6,287,219 B1 *	9/2001	Addington	A63B 57/0037 473/386
D456,869 S *	5/2002	Carroll, Jr.	D21/759
D476,569 S *	7/2003	Simkins	D9/455
D498,958 S *	11/2004	Henry	D6/534

(Continued)

OTHER PUBLICATIONS

Horne old Putter Clip-Holder, posted at Amazon.com, date of first customer review: Mar. 22, 2015, [online], [site visited Oct. 22, 2016]. Available from Internet, <URL: <https://www.amazon.com/HorneGolfPutterClipHolder/dp/B00RJJ5154>>.*

(Continued)

Primary Examiner — Susan E Krakower
Assistant Examiner — Lisa A Grabenstetter
(74) *Attorney, Agent, or Firm* — Jonathan R. Smith;
Jonathan Rigdon Smith, J.D., PC

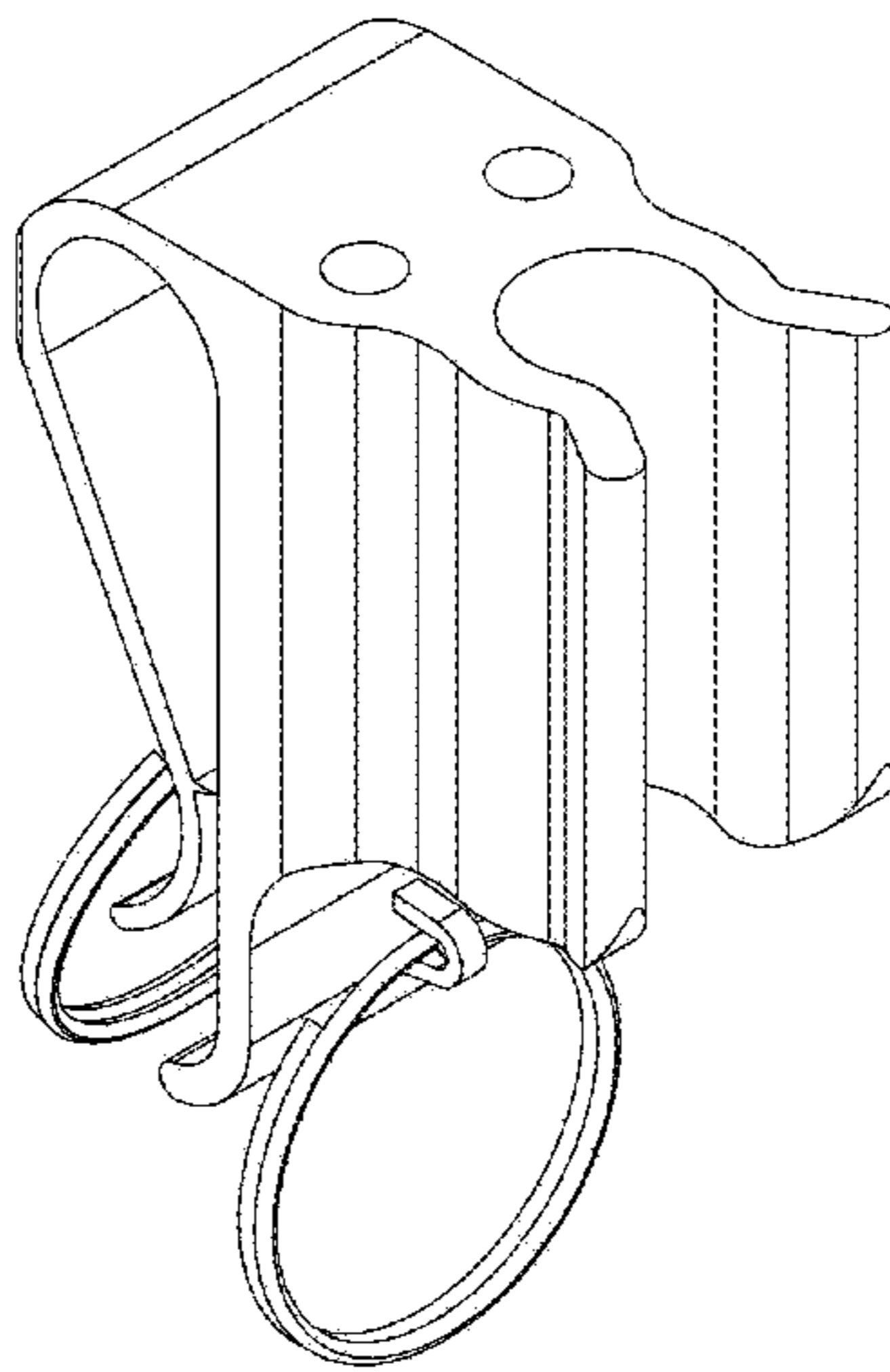
(57) **CLAIM**

I claim the ornamental design for a golf bag accessory hanger, as shown and described.

DESCRIPTION

FIG. 1 is a top, left, and front isometric view of a golf bag accessory hanger, showing my new design.
FIG. 2 is a left side view of the golf bag accessory hanger of FIG. 1.
FIG. 3 is a right side view of the golf bag accessory hanger of FIG. 1.
FIG. 4 is a rear view of the golf bag accessory hanger of FIG. 1.
FIG. 5 is a front view of the golf bag accessory hanger of FIG. 1.
FIG. 6 is a top view of the golf bag accessory hanger of FIG. 1; and,
FIG. 7 is a bottom view of the golf bag accessory hanger of FIG. 1.

1 Claim, 7 Drawing Sheets



(56)

References Cited

U.S. PATENT DOCUMENTS

D508,200 S * 8/2005 Cagle D9/434
D523,512 S * 6/2006 Rydzynski D21/796
D527,616 S * 9/2006 Hajianpour D8/373
8,439,768 B1 * 5/2013 Shah A24F 13/22
131/257
D711,213 S * 8/2014 Schorn D8/373
D733,539 S * 7/2015 Wu D23/304
D736,071 S * 8/2015 Wu D8/373
2014/0331457 A1 * 11/2014 Perreault A45F 5/02
24/3.12

OTHER PUBLICATIONS

Halo Golf Ball Pickup/Putter Holder Combo, posted at Amazon.com, date of first customer review: Nov. 14, 2012, [online], [site visited Oct. 22, 2016]. Available from Internet, <URL: <https://www.amazon.com/GolfPickupPutterHolderCombo/dp/B00908JMTI>>.*

* cited by examiner

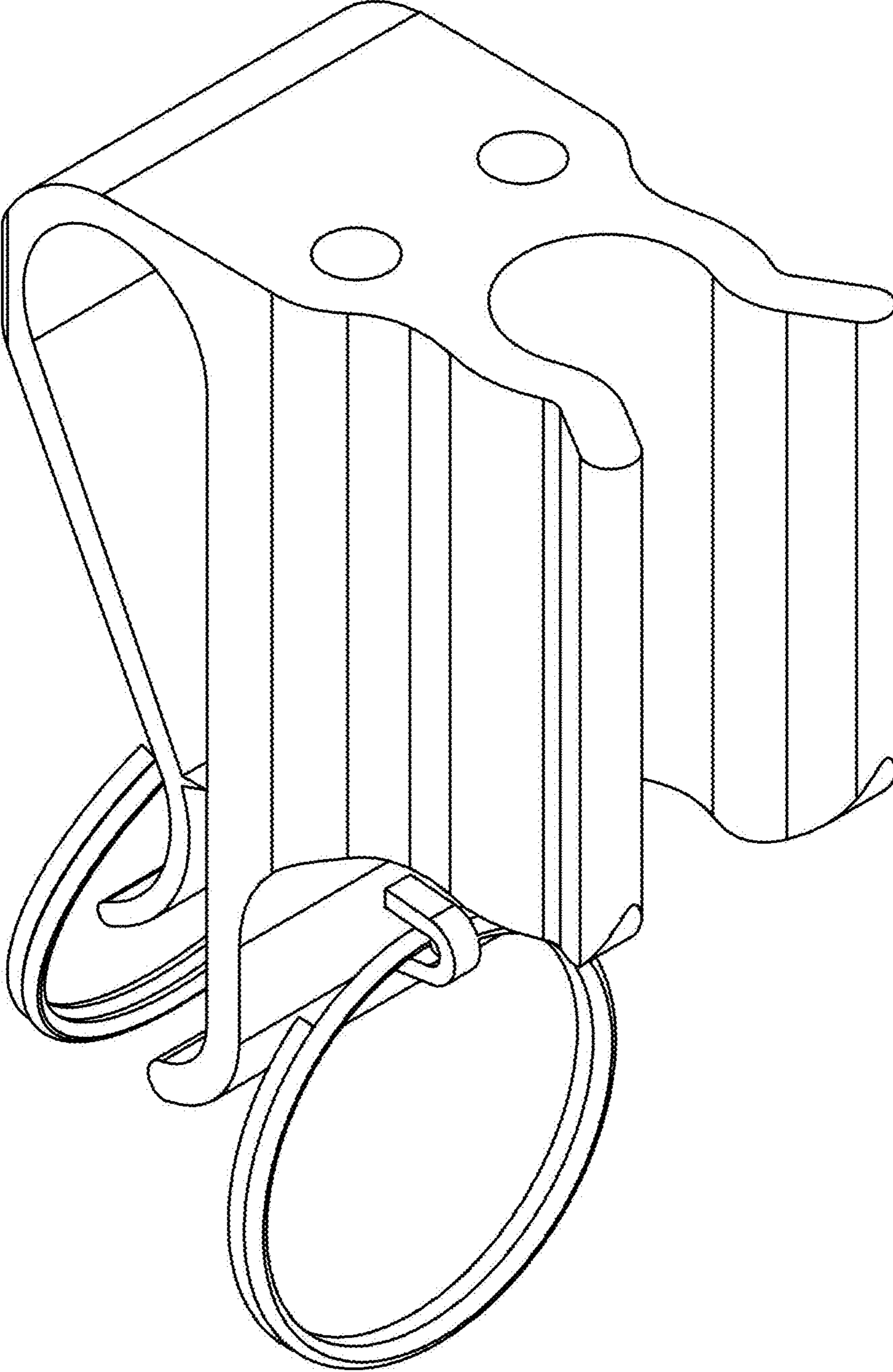


FIG. 1

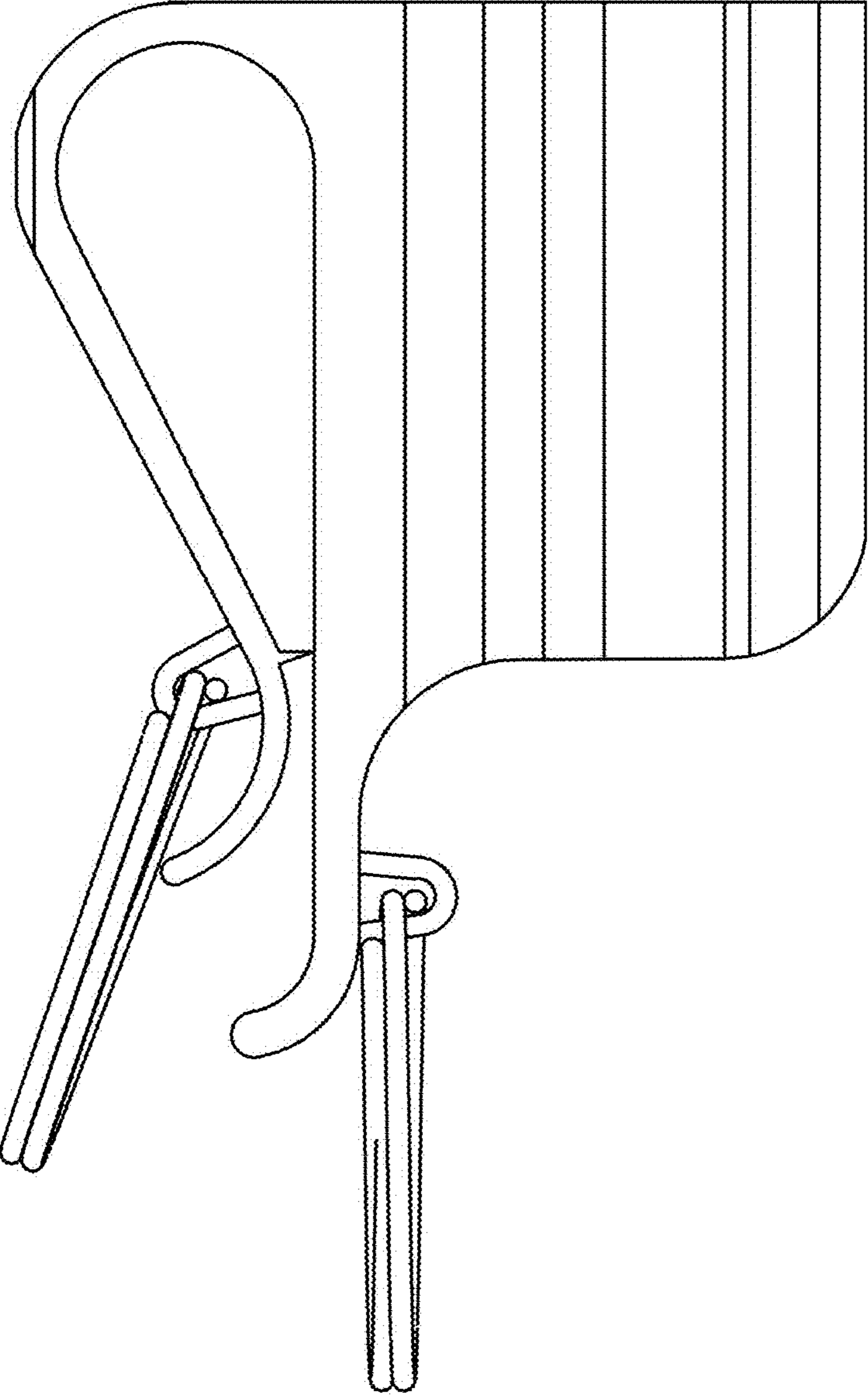


FIG. 2

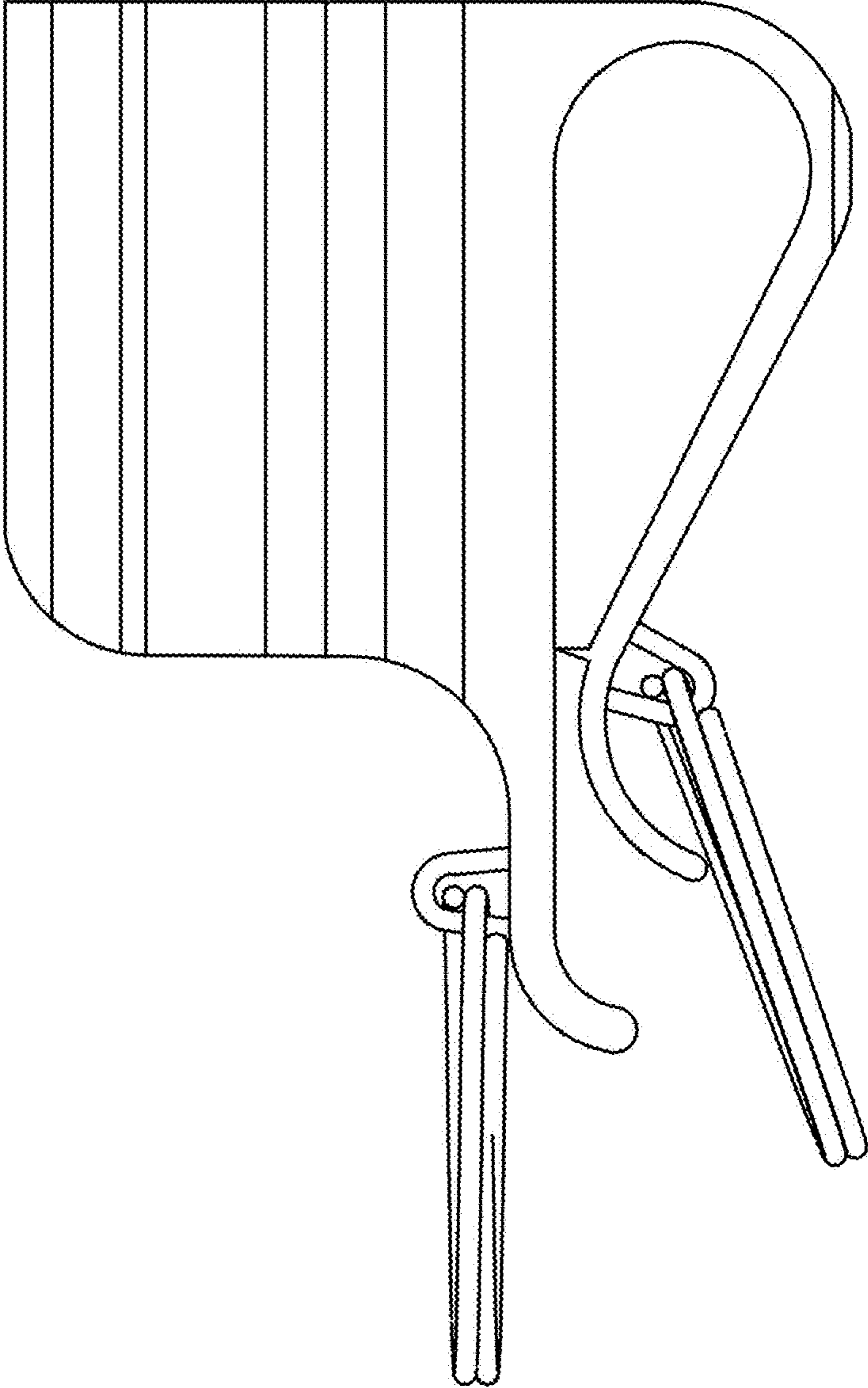


FIG. 3

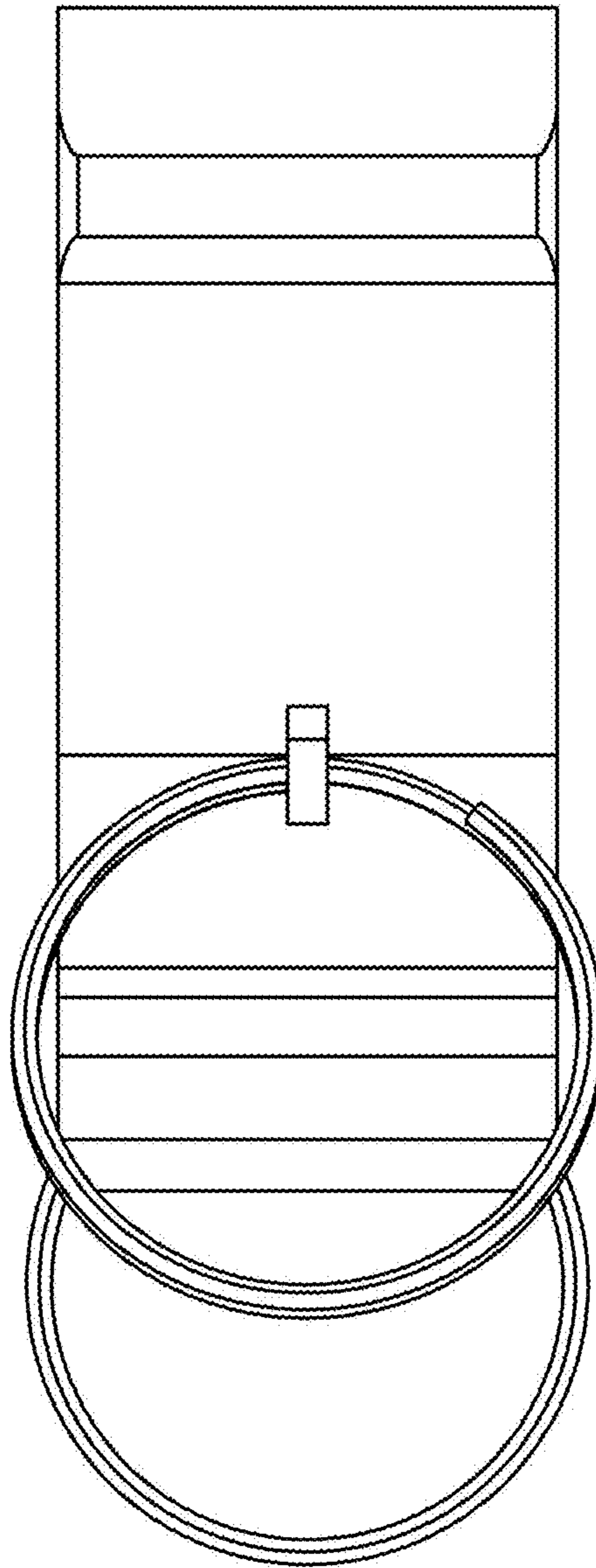


FIG. 4

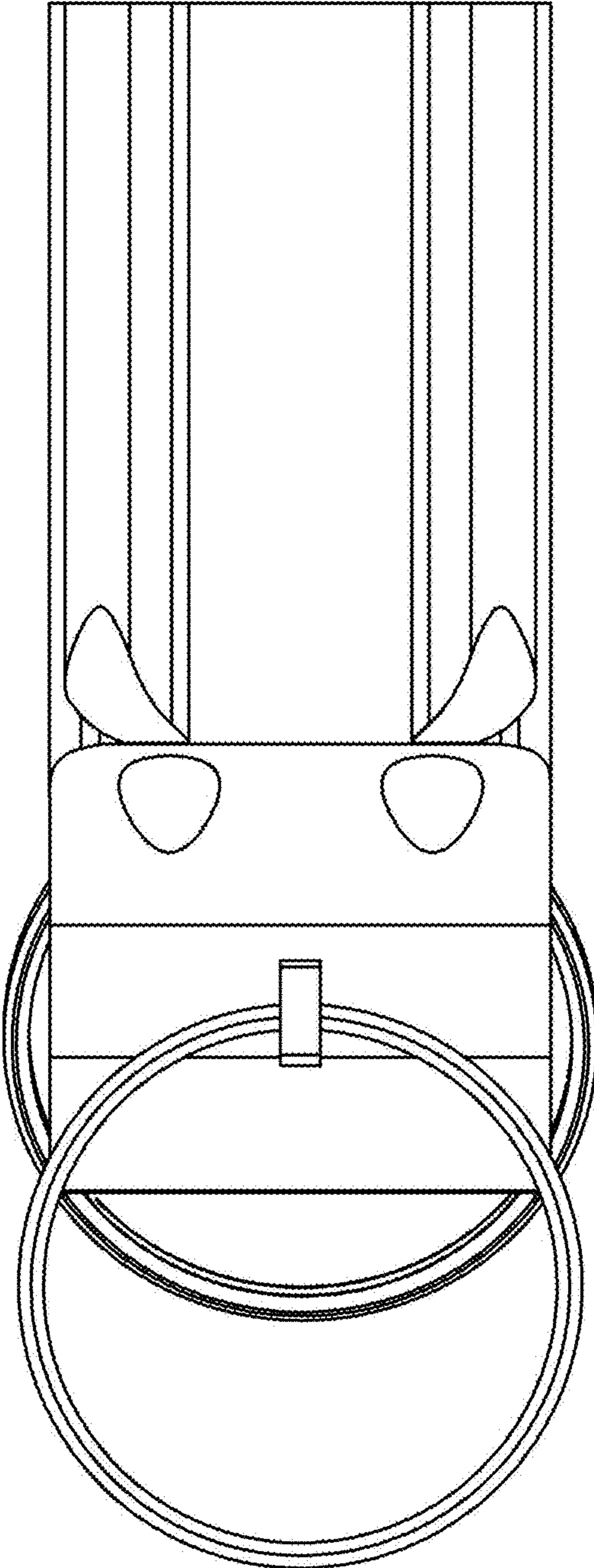


FIG. 5

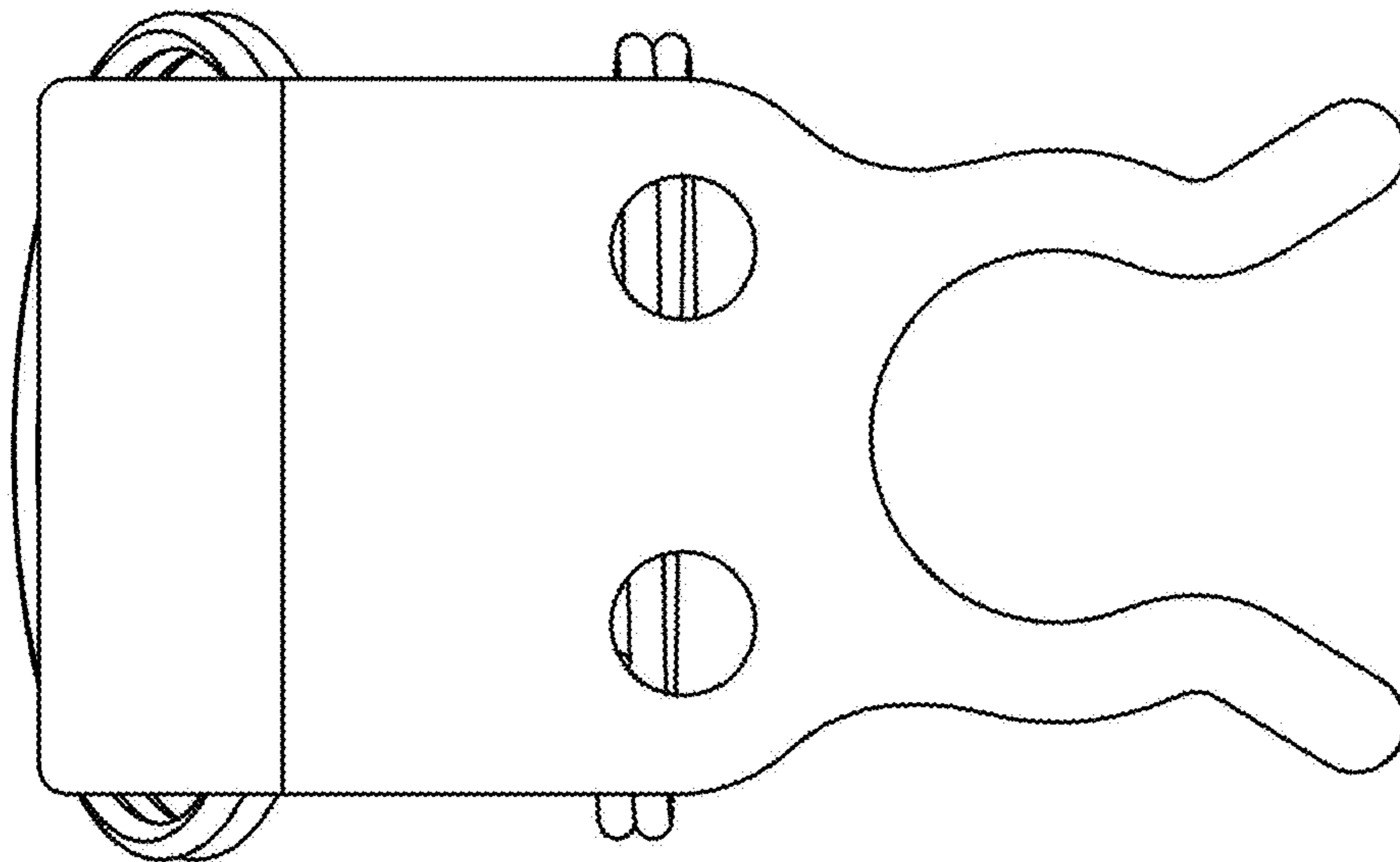


FIG. 6

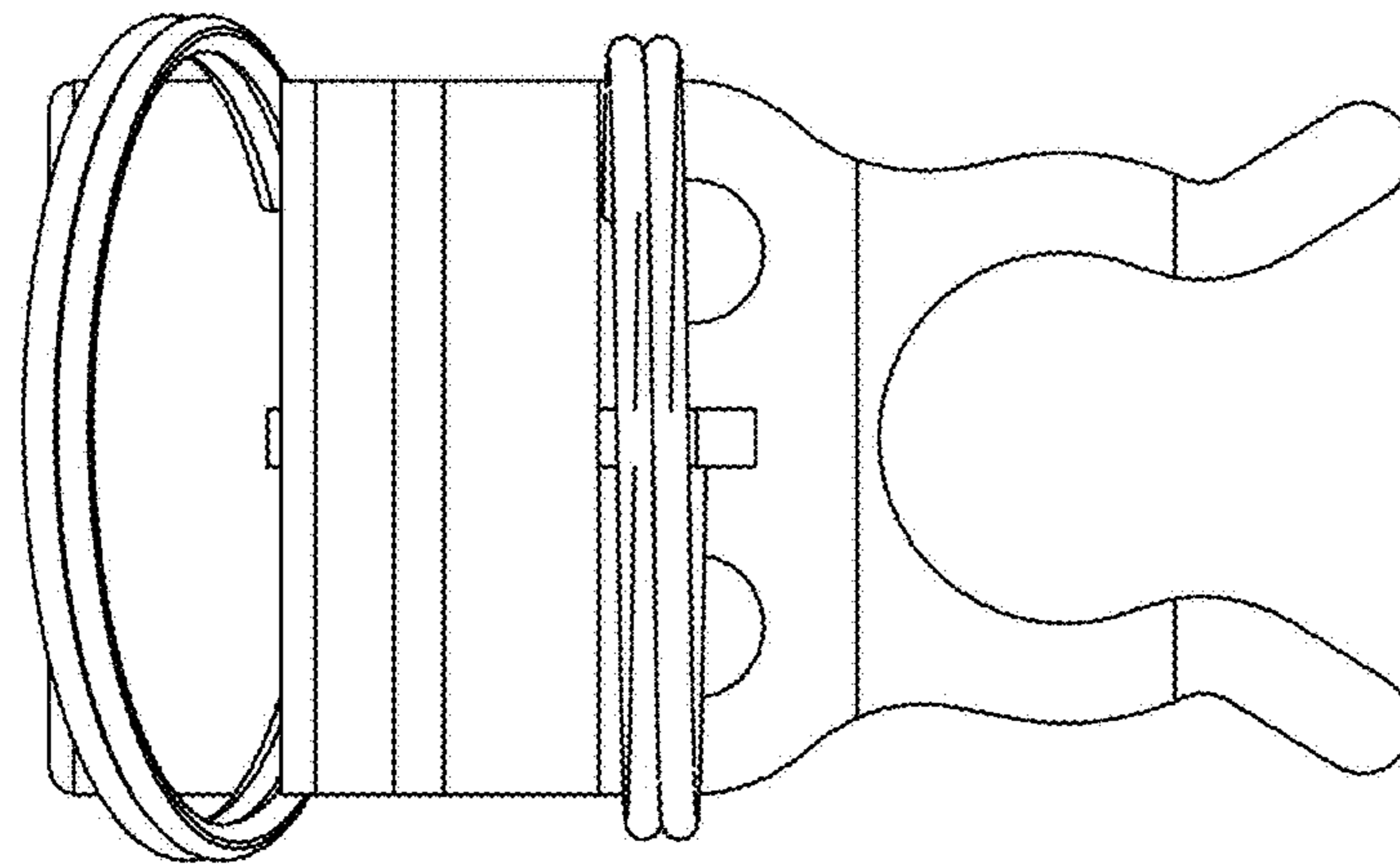


FIG. 7