



US00D812370S

(12) **United States Design Patent**  
**Brennan, Jr.**

(10) **Patent No.:** **US D812,370 S**  
(45) **Date of Patent:** **\*\* Mar. 13, 2018**

(54) **HANDSET CLIP**

(71) Applicant: **SpectraLink Corporation**, Boulder,  
CO (US)

(72) Inventor: **William R. Brennan, Jr.**, Longmont,  
CO (US)

(73) Assignee: **SpectraLink Corporation**, Boulder,  
CO (US)

(\*\*) Term: **15 Years**

(21) Appl. No.: **29/550,109**

(22) Filed: **Dec. 30, 2015**

(51) **LOC (11) Cl.** ..... **03-01**

(52) **U.S. Cl.**  
USPC ..... **D3/218**

(58) **Field of Classification Search**  
USPC ..... D3/218, 215, 219, 201, 269;  
224/196-197, 269, 666, 668-669, 930;  
379/445, 455; 248/442.2, 205.2, 918;  
40/725, 776; 24/3.1, 3.12, 517  
CPC .... A45F 5/00; A45F 5/02; A45F 5/021; A45F  
2200/05; A45F 2200/0508; A45F  
2200/0516

See application file for complete search history.

(56) **References Cited**

**U.S. PATENT DOCUMENTS**

D548,960 S \* 8/2007 Tages ..... D3/218  
D594,225 S \* 6/2009 Leung ..... D3/218

D606,739 S \* 12/2009 Fahrendorff ..... D3/218  
D609,460 S \* 2/2010 Riccardi ..... D3/218  
D613,498 S \* 4/2010 Tsai ..... D3/218  
D644,428 S \* 9/2011 Feng ..... D3/218  
8,333,310 B2 \* 12/2012 Tages ..... A45F 5/02  
224/197

\* cited by examiner

*Primary Examiner* — Catherine R Oliver-Garcia  
(74) *Attorney, Agent, or Firm* — Honigman Miller  
Schwartz and Cohn LLP

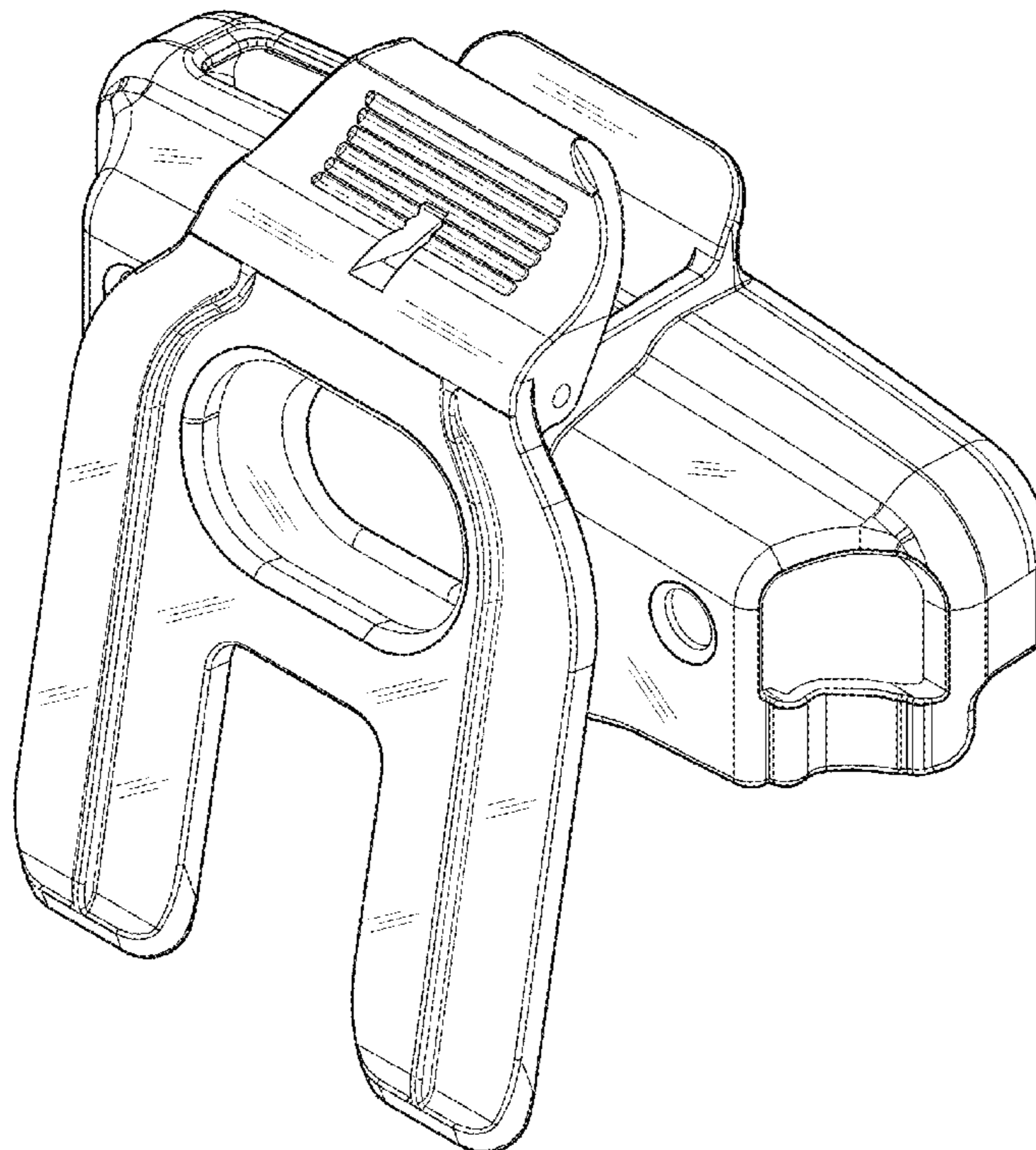
(57) **CLAIM**

The ornamental design for a handset clip, as shown and described.

**DESCRIPTION**

FIG. 1 is a perspective view of a handset clip, showing my new design;  
FIG. 2 is a front view thereof;  
FIG. 3 is a rear view thereof;  
FIG. 4 is a top plan view thereof;  
FIG. 5 is a bottom plan view thereof;  
FIG. 6 is a right side view thereof;  
FIG. 7 is a left side view thereof; and,  
FIG. 8 is an exploded view thereof.

**1 Claim, 8 Drawing Sheets**



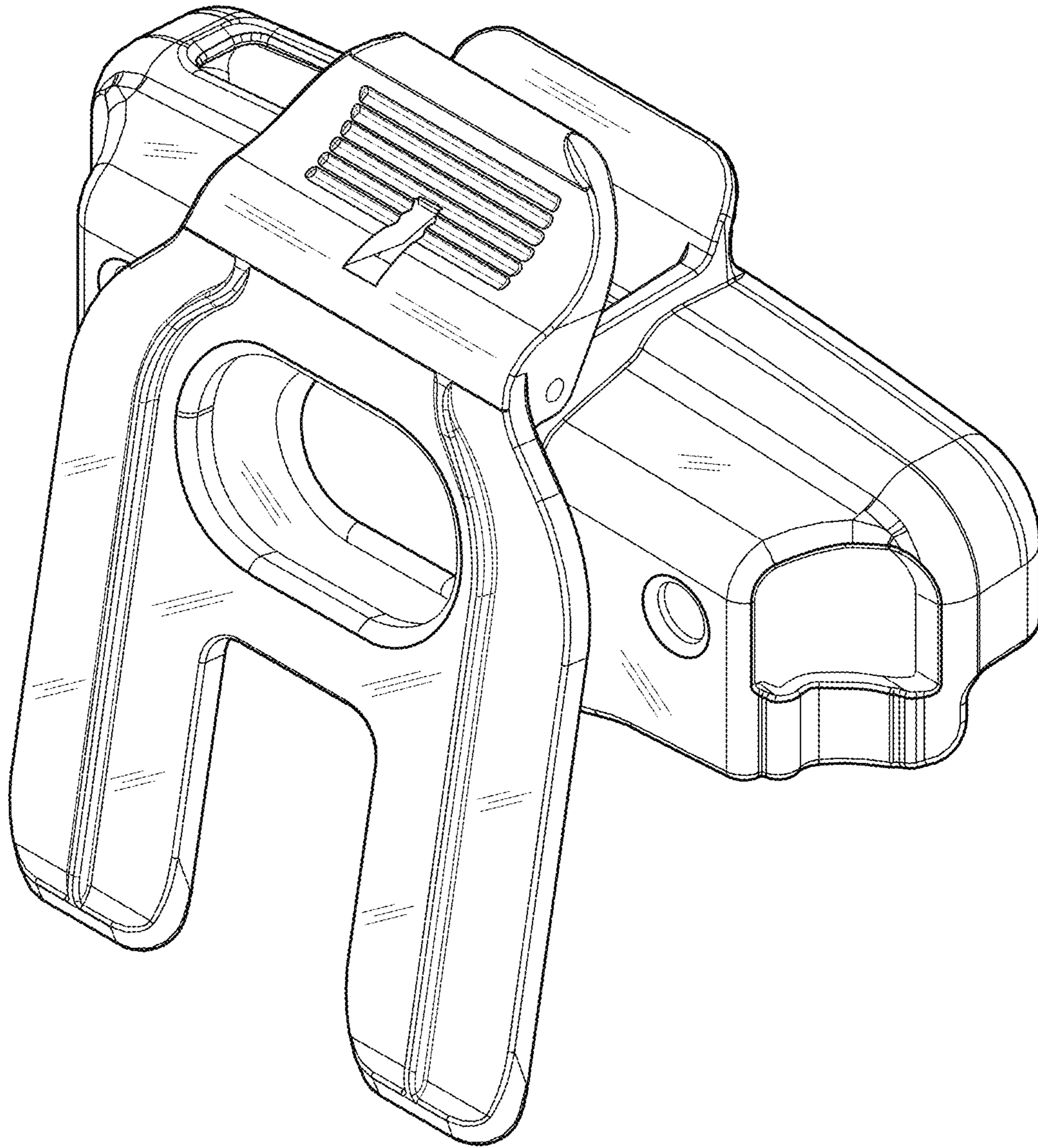


FIG. 1

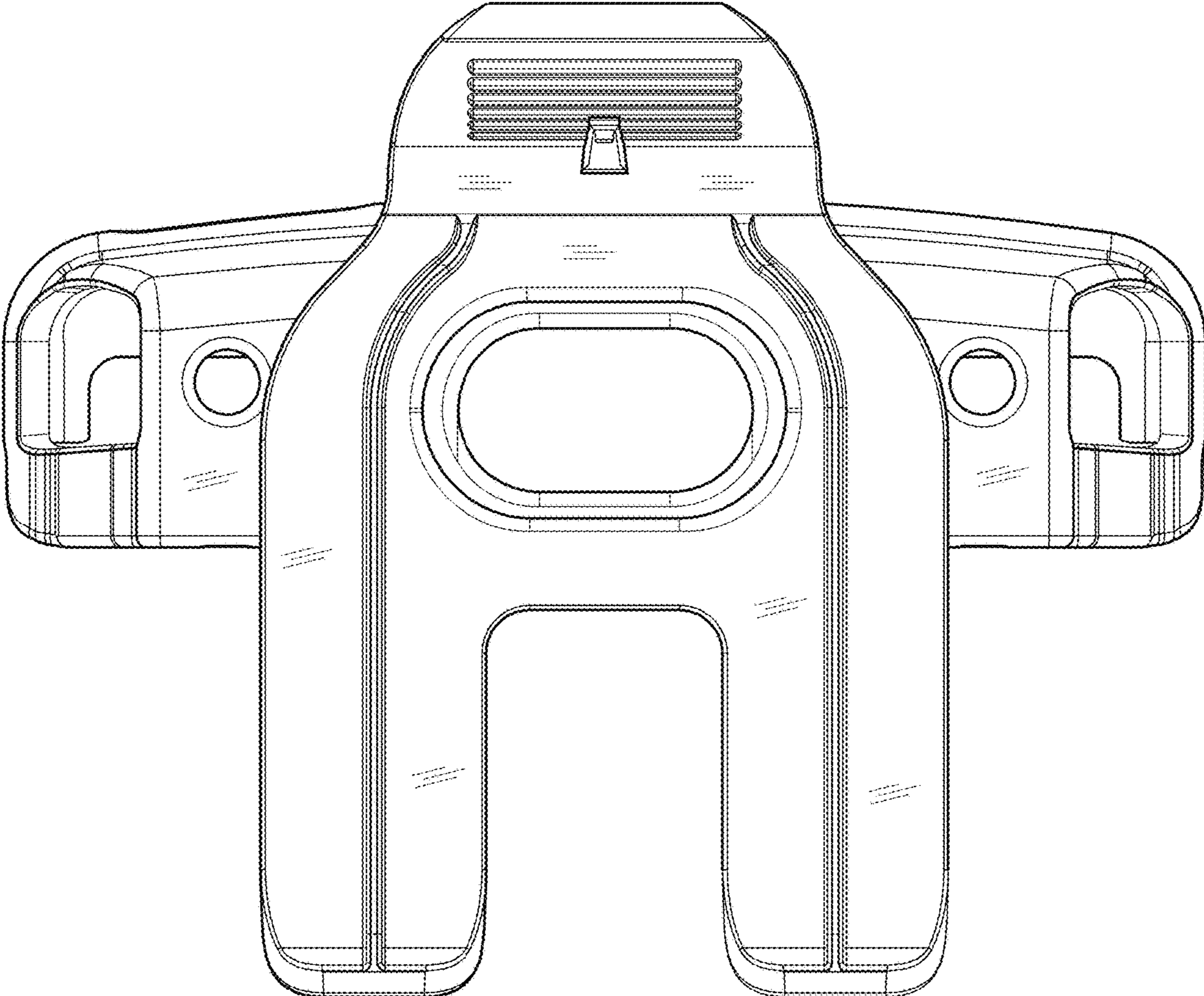


FIG. 2

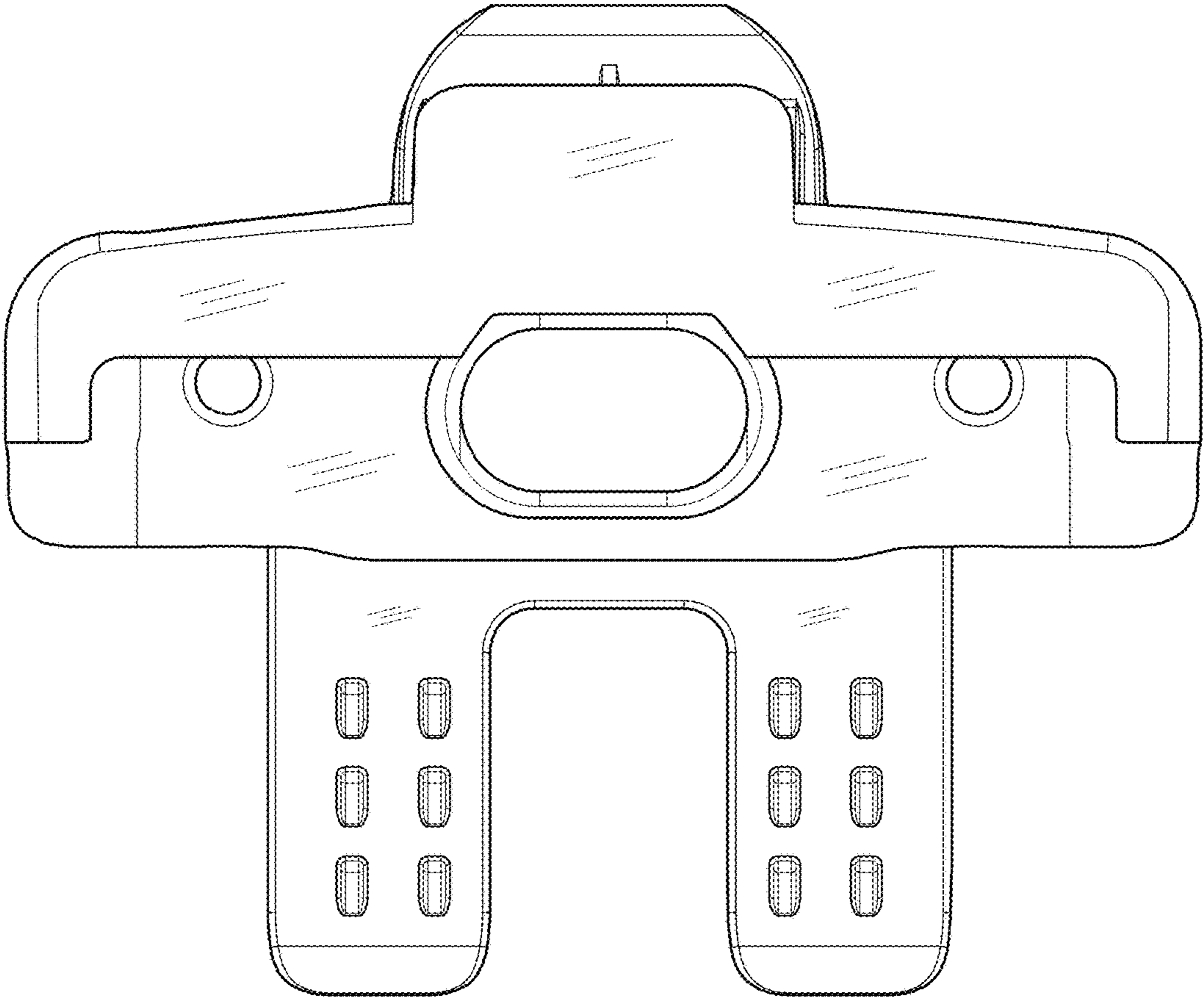


FIG. 3

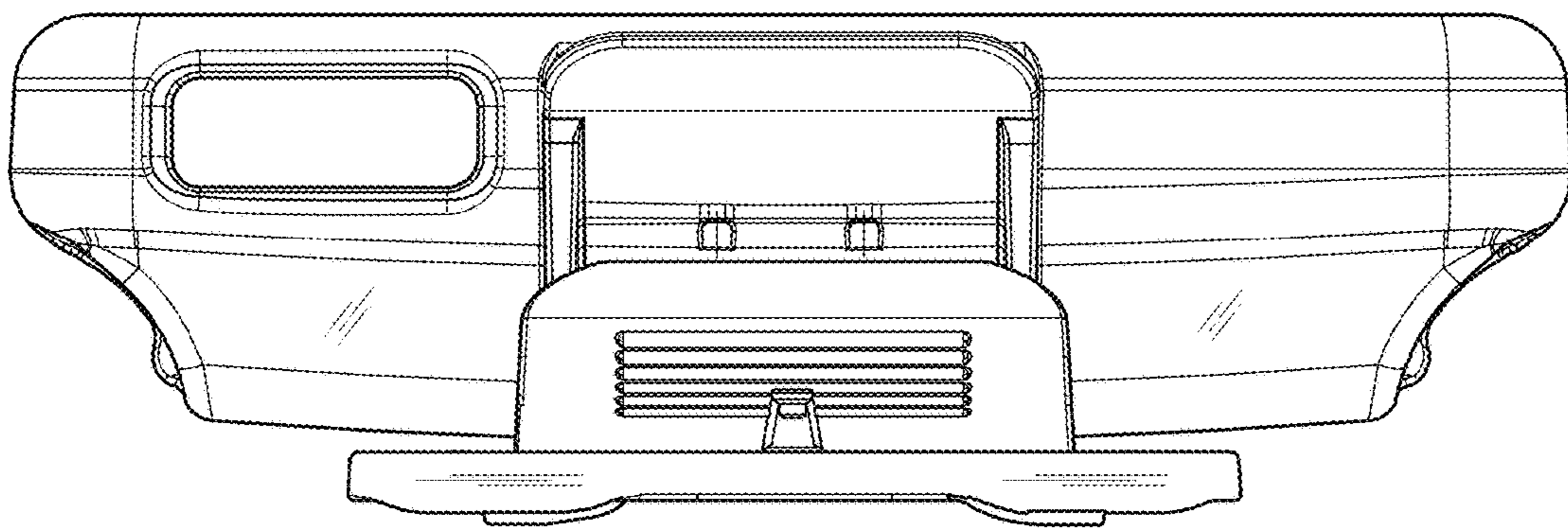


FIG. 4

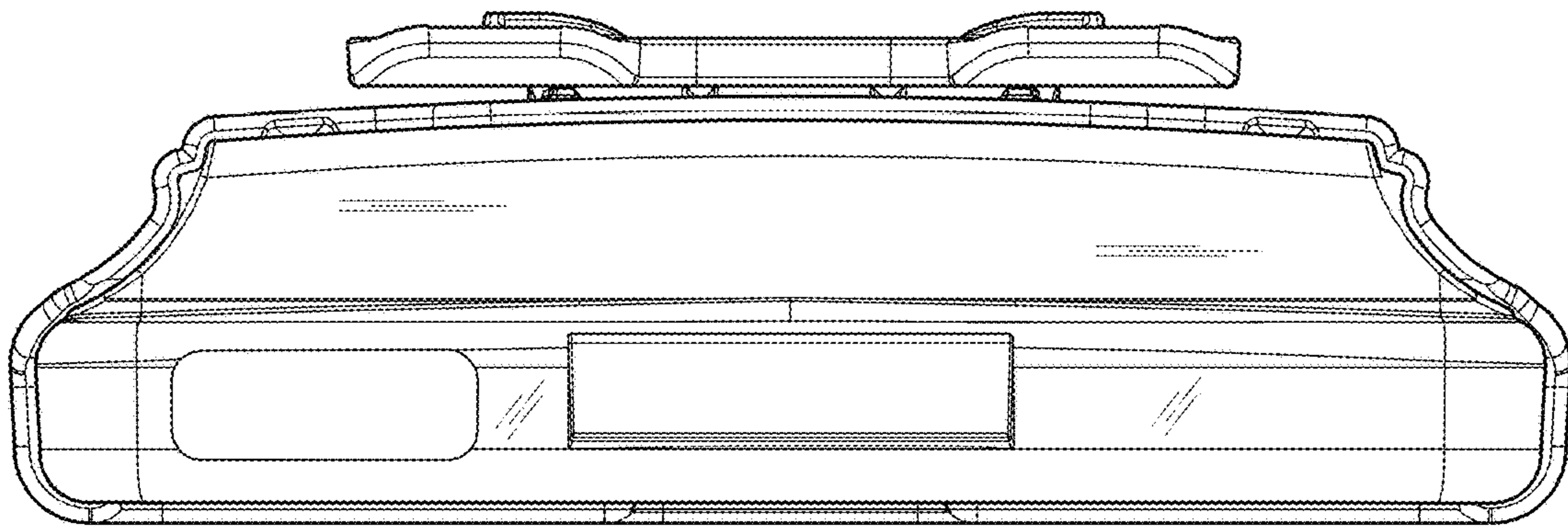


FIG. 5

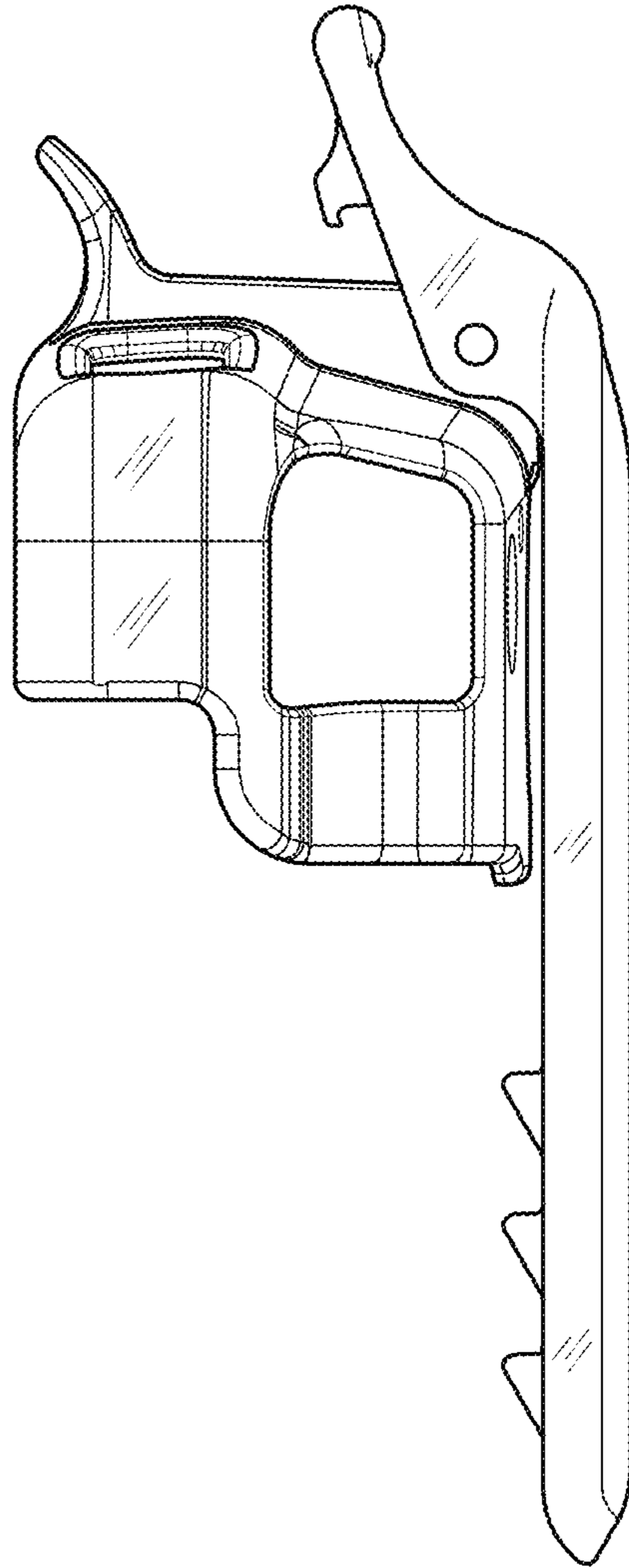


FIG. 6

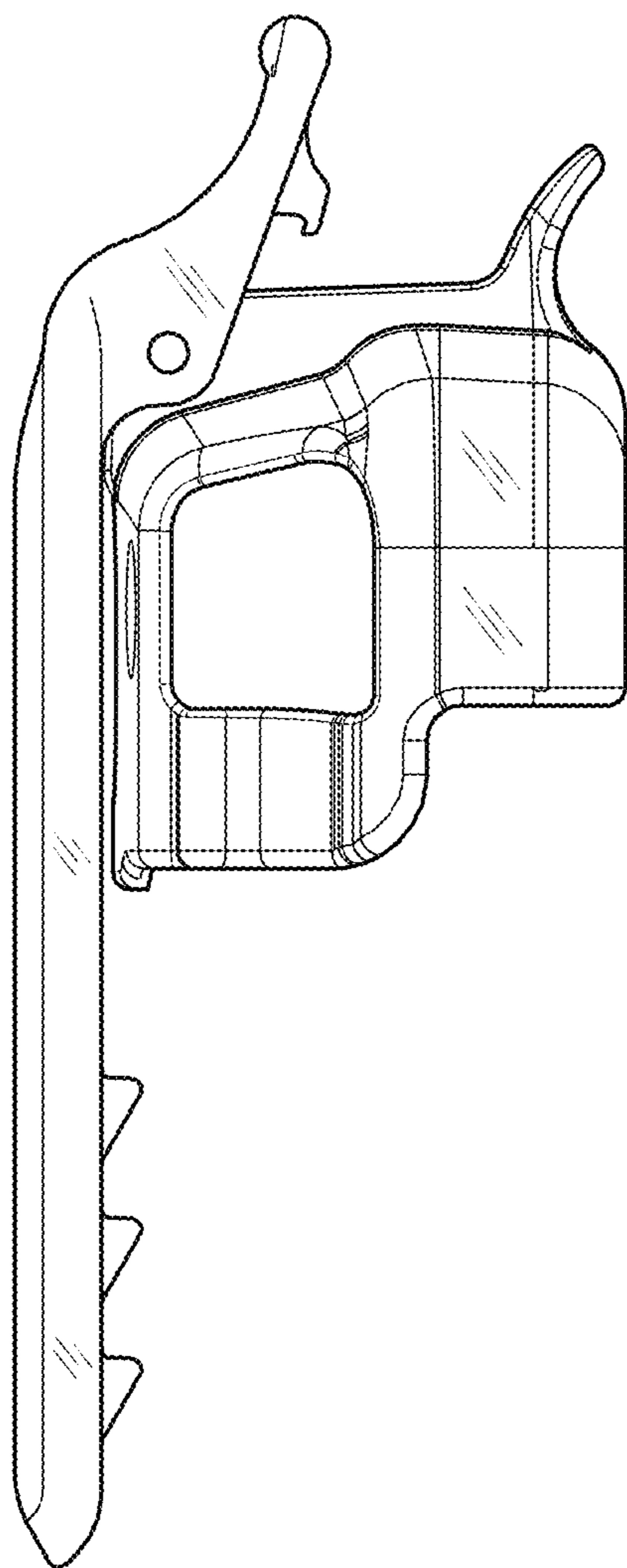


FIG. 7



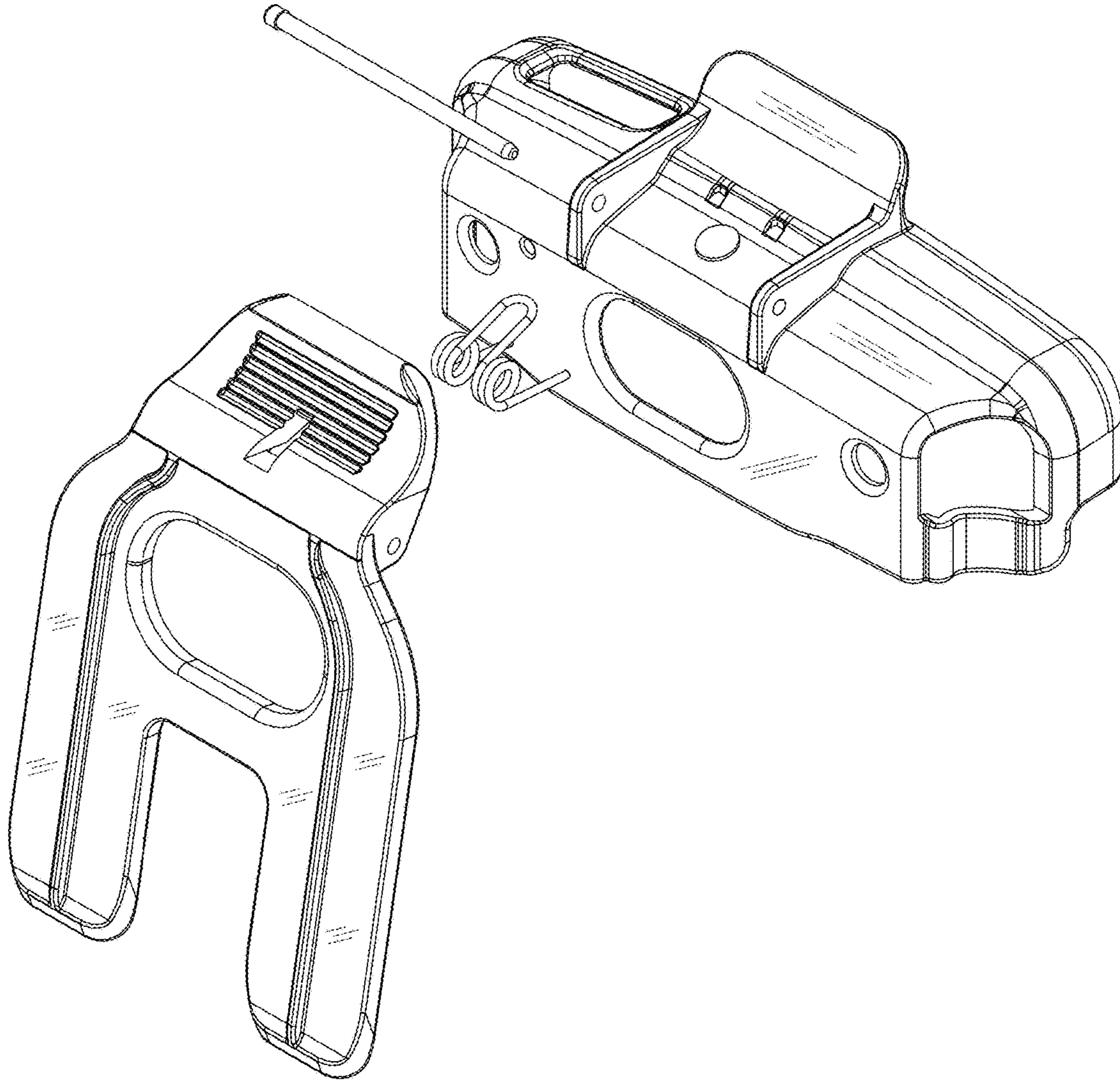


FIG. 8