



US00D812367S

(12) **United States Design Patent**
Cummins

(10) **Patent No.:** **US D812,367 S**
(45) **Date of Patent:** **** Mar. 13, 2018**

(54) **DECORATIVE SHOE FOR A WALKING AID**

(71) Applicant: **Scott Cummins**, San Antonio, TX (US)

(72) Inventor: **Scott Cummins**, San Antonio, TX (US)

(**) Term: **15 Years**

(21) Appl. No.: **29/572,403**

(22) Filed: **Jul. 27, 2016**

(51) **LOC (11) Cl.** **03-03**

(52) **U.S. Cl.**
USPC **D3/10**

(58) **Field of Classification Search**
USPC ... D3/5, 7, 8, 10, 11, 13, 14, 15, 16, 17, 18,
D3/28; D2/896, 902, 900; D10/71;
D14/416

CPC A45D 42/00; A45D 42/18; A61B 1/24;
D04B 3/02; G05G 9/04788

See application file for complete search history.

(56) **References Cited**

U.S. PATENT DOCUMENTS

2,373,045	A *	4/1945	Osborn	A61H 3/02	135/69
2,388,778	A *	11/1945	Wheeler	A61H 3/02	135/68
D285,715	S *	9/1986	Brantingham	D21/422	
D378,551	S *	3/1997	Shelnutt	D2/902	
D449,426	S *	10/2001	Pollastrelli	D2/902	
D512,558	S *	12/2005	Martinez	D3/7	
D516,799	S *	3/2006	Gordon	D3/6	
D568,585	S *	5/2008	Dolce	D2/902	
7,686,025	B1 *	3/2010	Dowling	A45B 9/04	135/66
D615,734	S *	5/2010	Di Nucci	D2/902	
D620,689	S *	8/2010	Weber	D2/902	
D634,104	S *	3/2011	Gwon	D2/896	

D649,774	S *	12/2011	Mahoney	D3/7
D652,616	S *	1/2012	Browne, Jr.	D3/10
D665,562	S *	8/2012	Di Nucci	D2/902
D719,725	S *	12/2014	Katz	D2/902
D772,541	S *	11/2016	Sassi	D2/902
2007/0277863	A1 *	12/2007	Gordon	A45B 3/04
					135/66

* cited by examiner

Primary Examiner — John Windmuller

Assistant Examiner — Benjamin Weeks

(74) *Attorney, Agent, or Firm* — Wayne J. Colton, Inc.

(57) **CLAIM**

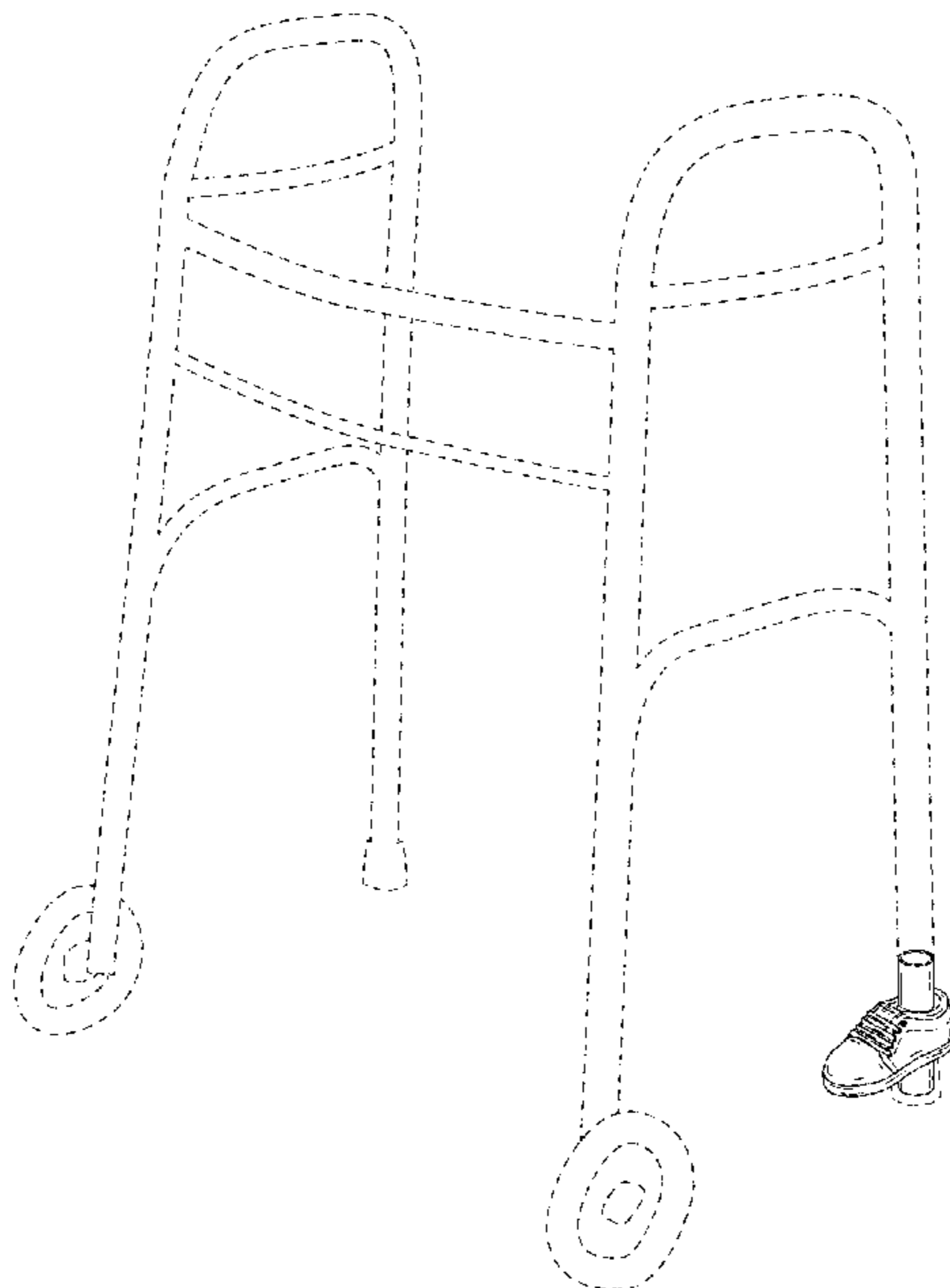
The ornamental design for a decorative shoe for a walking aid, as shown and described.

DESCRIPTION

FIG. 1 is a front perspective view of decorative shoe for a walking aid, showing my new design;
 FIG. 2 is a detailed front perspective view thereof;
 FIG. 3 is a rear perspective view of a decorative shoe for a walking aid, also showing my new design;
 FIG. 4 is a detailed rear perspective view thereof;
 FIG. 5 is a top plan view thereof;
 FIG. 6 is a bottom plan view thereof;
 FIG. 7 is a left side elevational view thereof;
 FIG. 8 is a right side elevational view thereof;
 FIG. 9 is a front end elevational view thereof;
 FIG. 10 is a rear end elevational view thereof; and,
 FIG. 11 is a cross sectional view thereof, taken through cut line 11-11 of FIG. 5.

The broken line showing in the figures is for illustrative purposes only and forms no part of the claimed design.

1 Claim, 8 Drawing Sheets



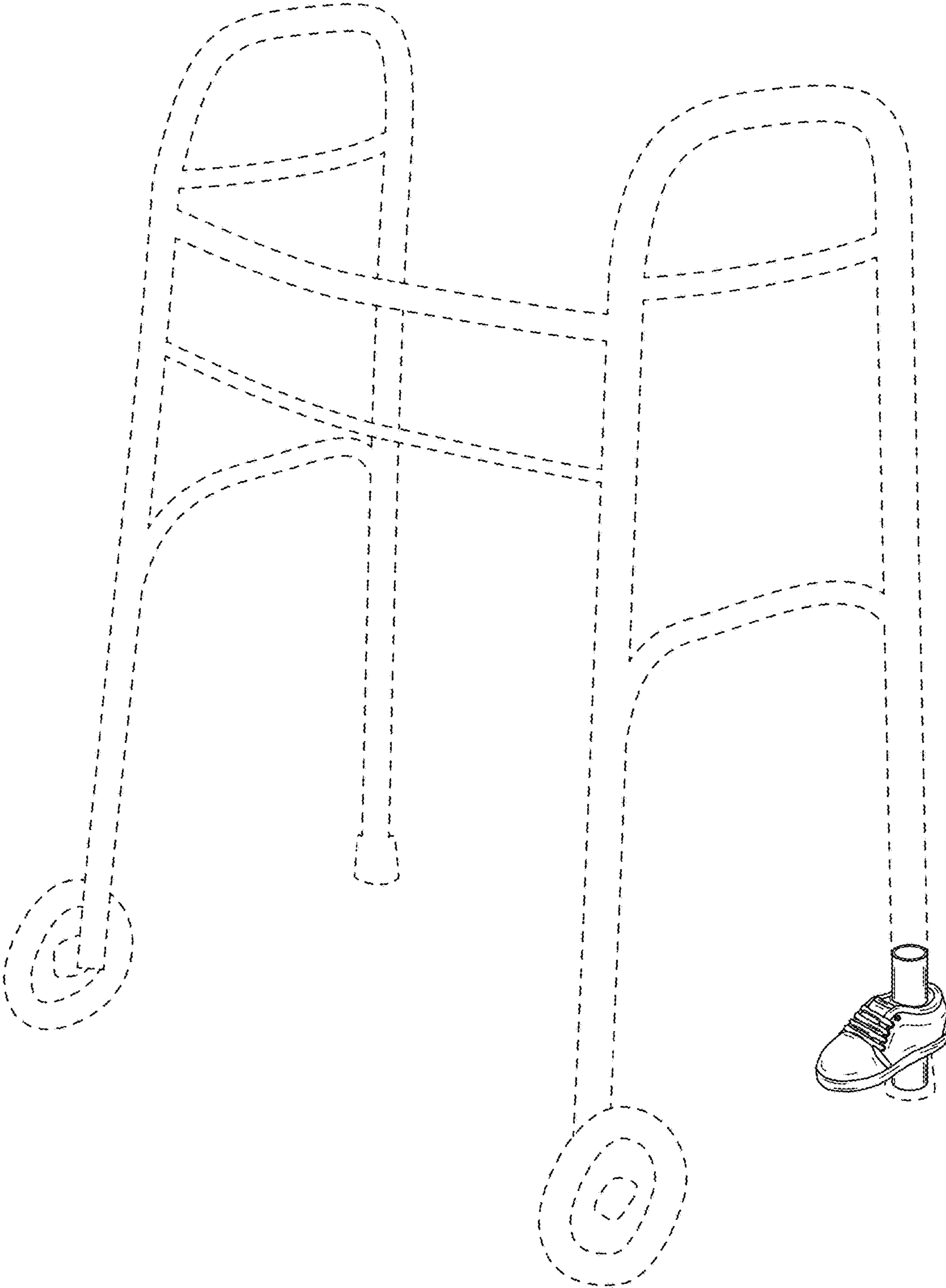


Figure 1

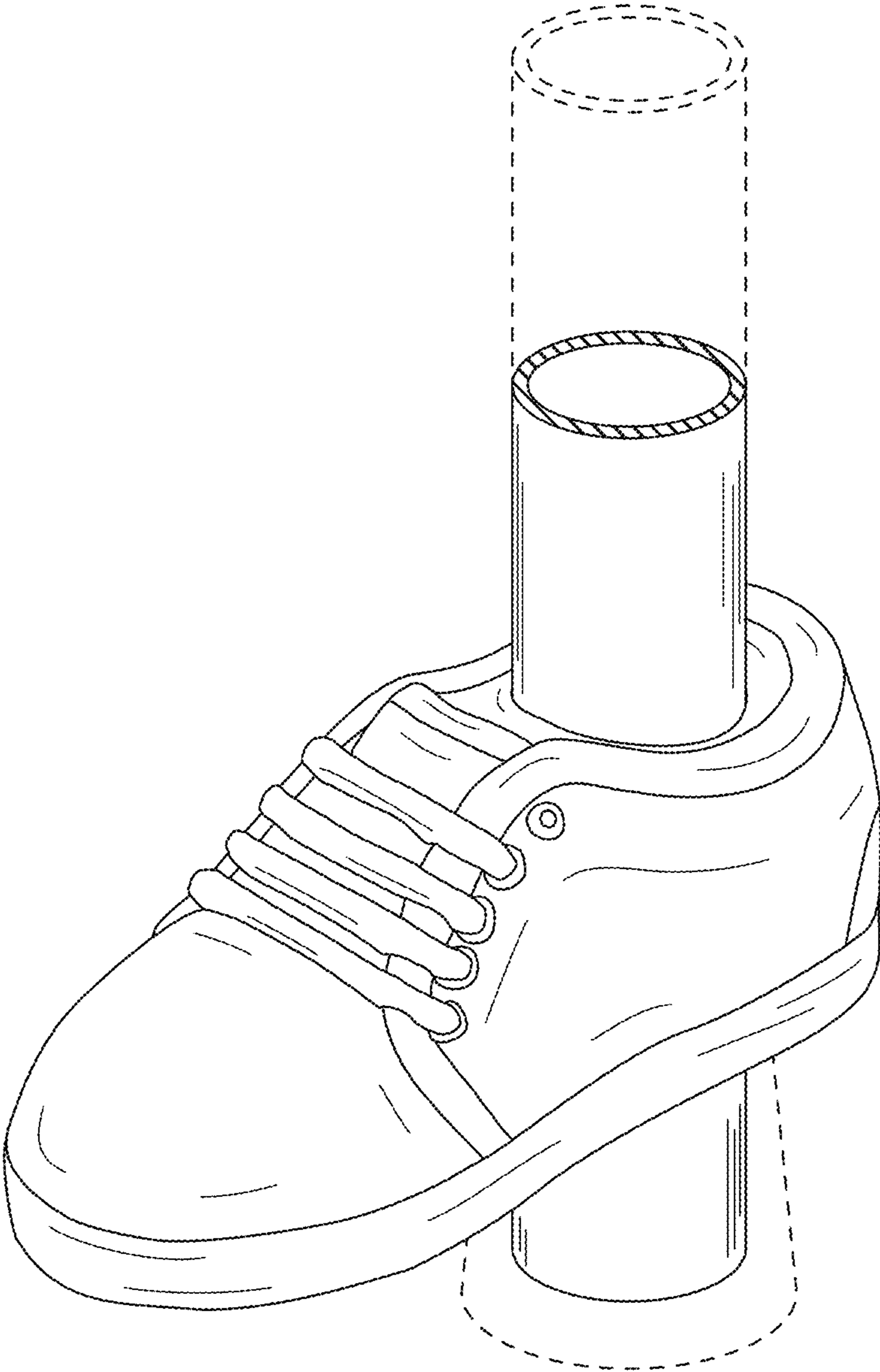


Figure 2

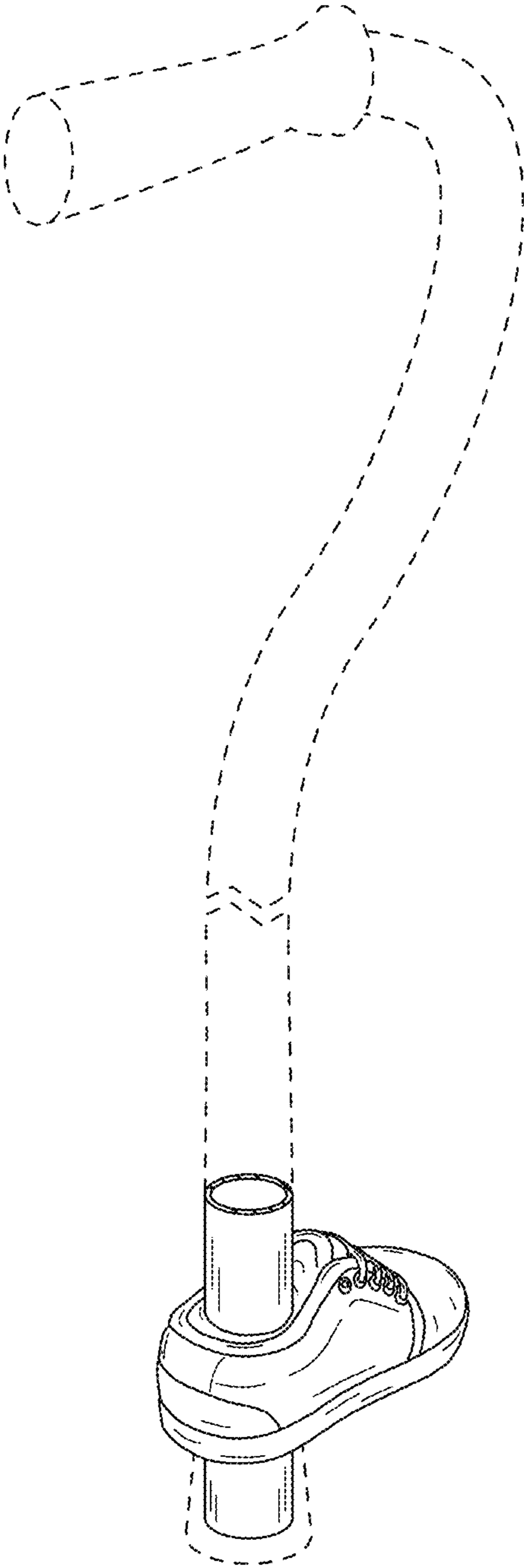


Figure 3

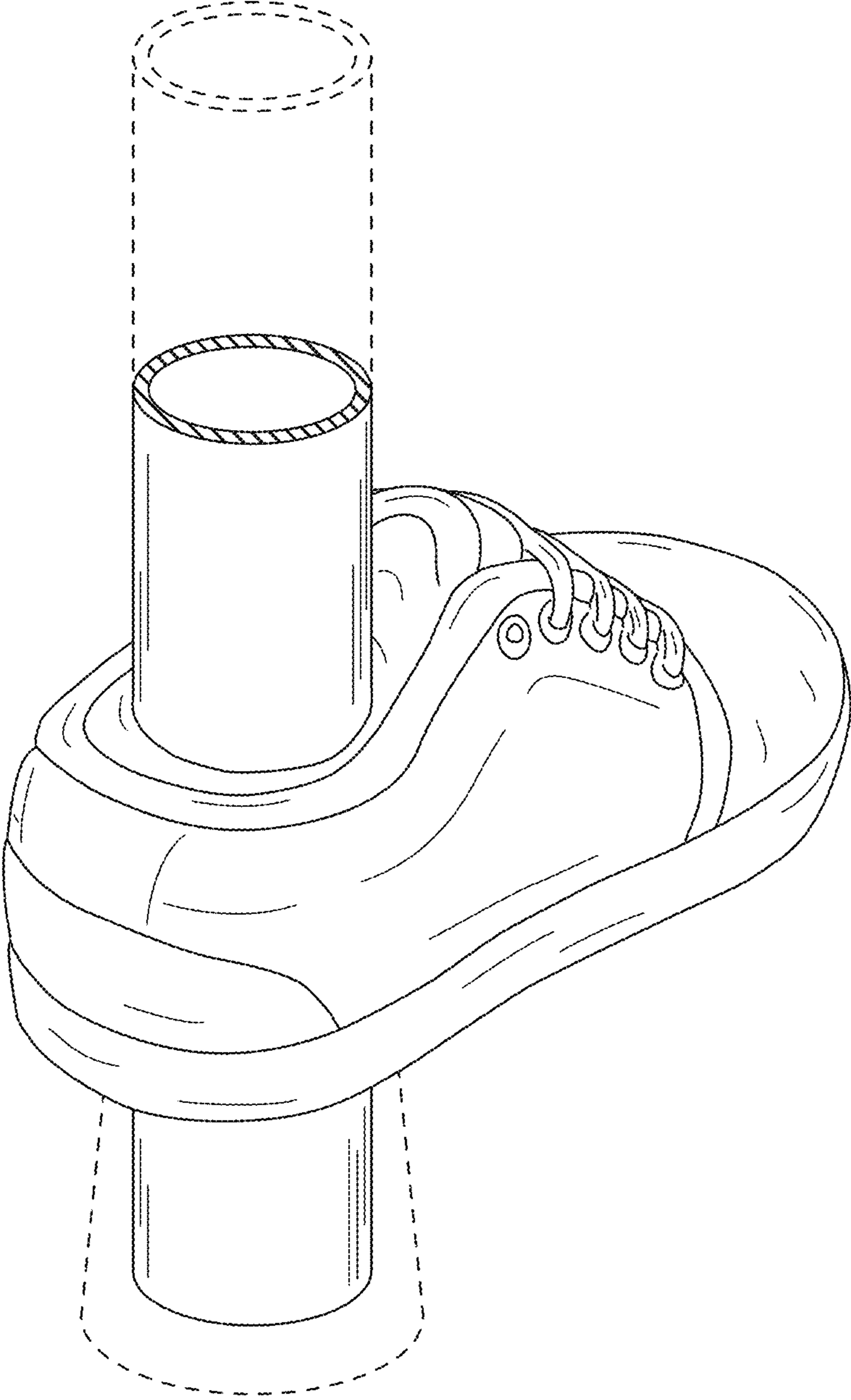


Figure 4

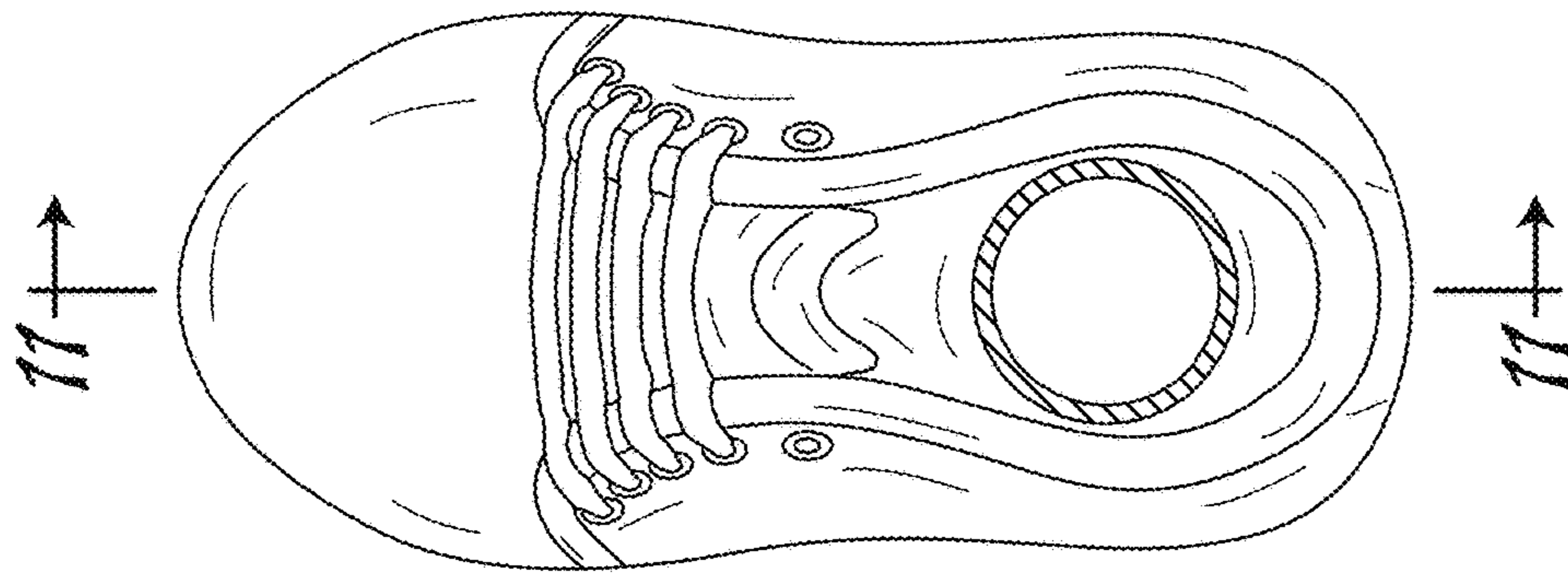


Figure 5

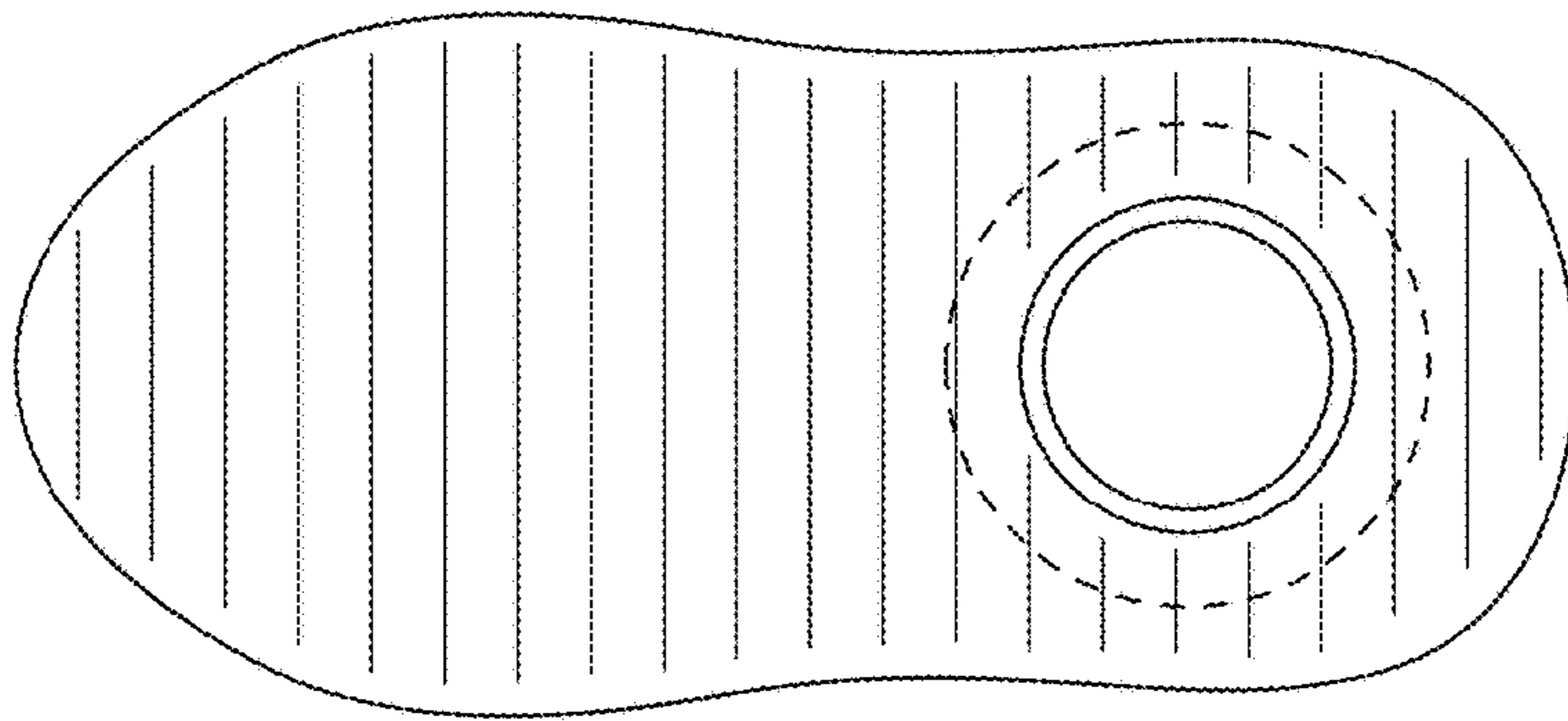


Figure 6

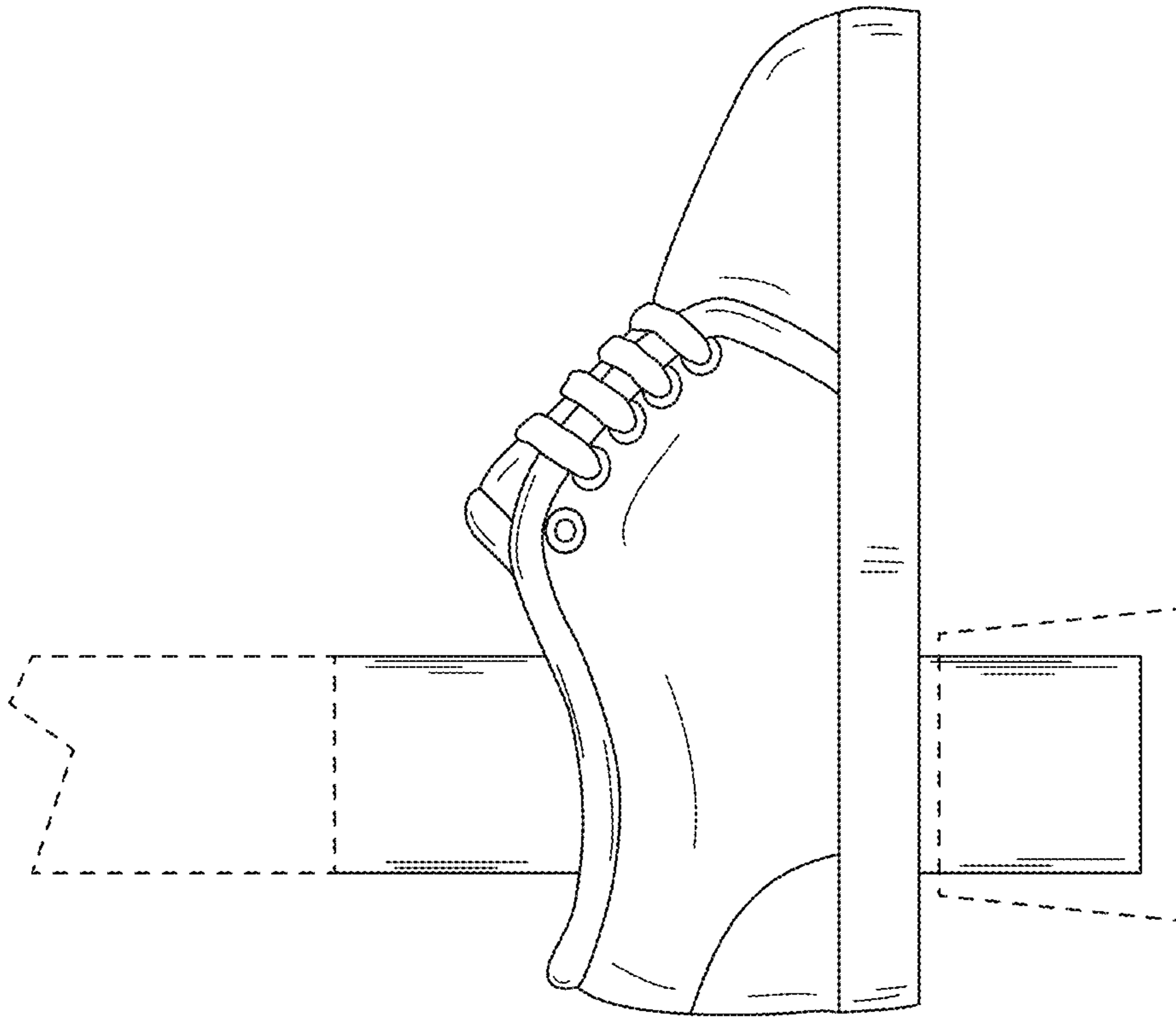


Figure 8

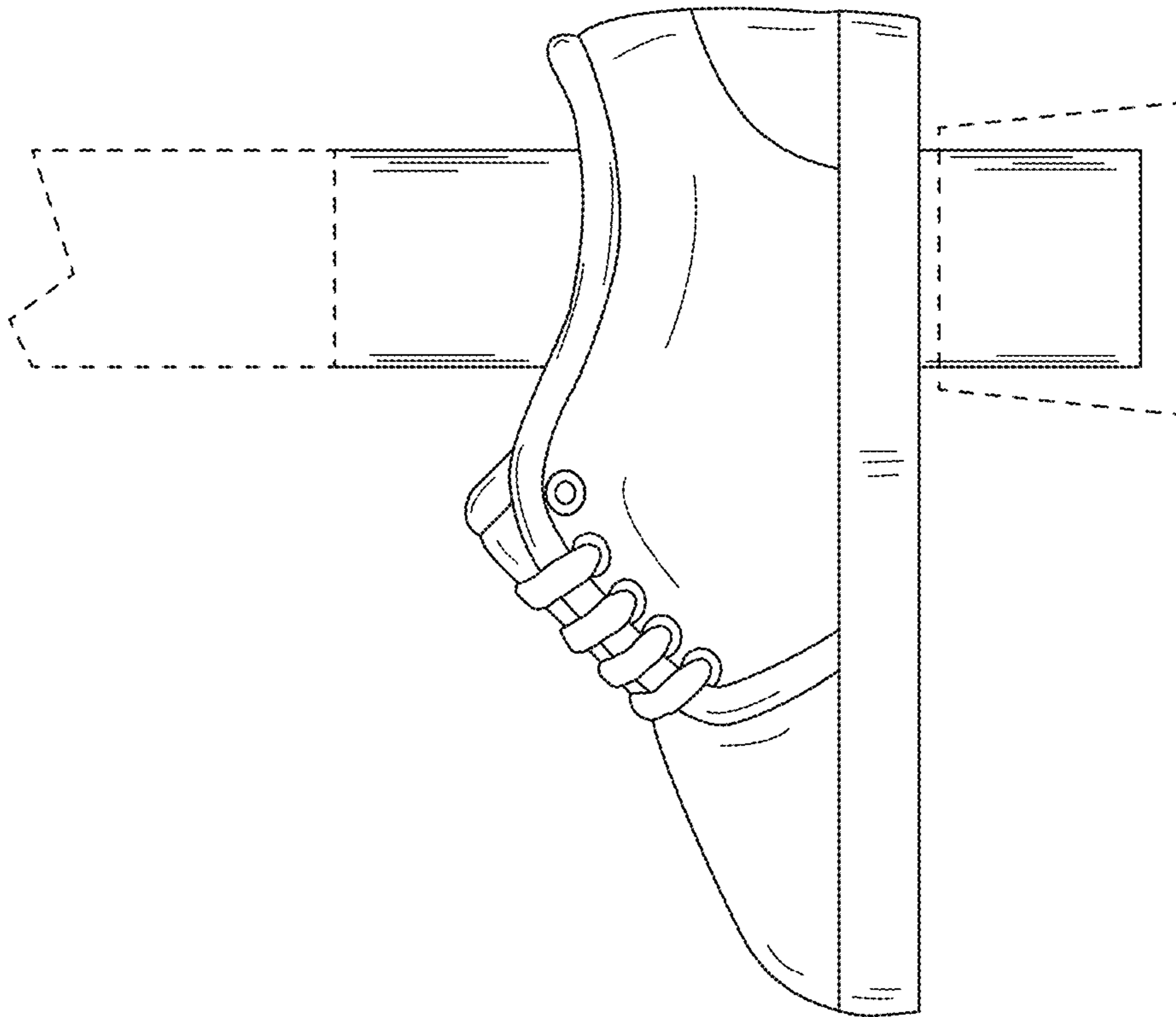


Figure 7

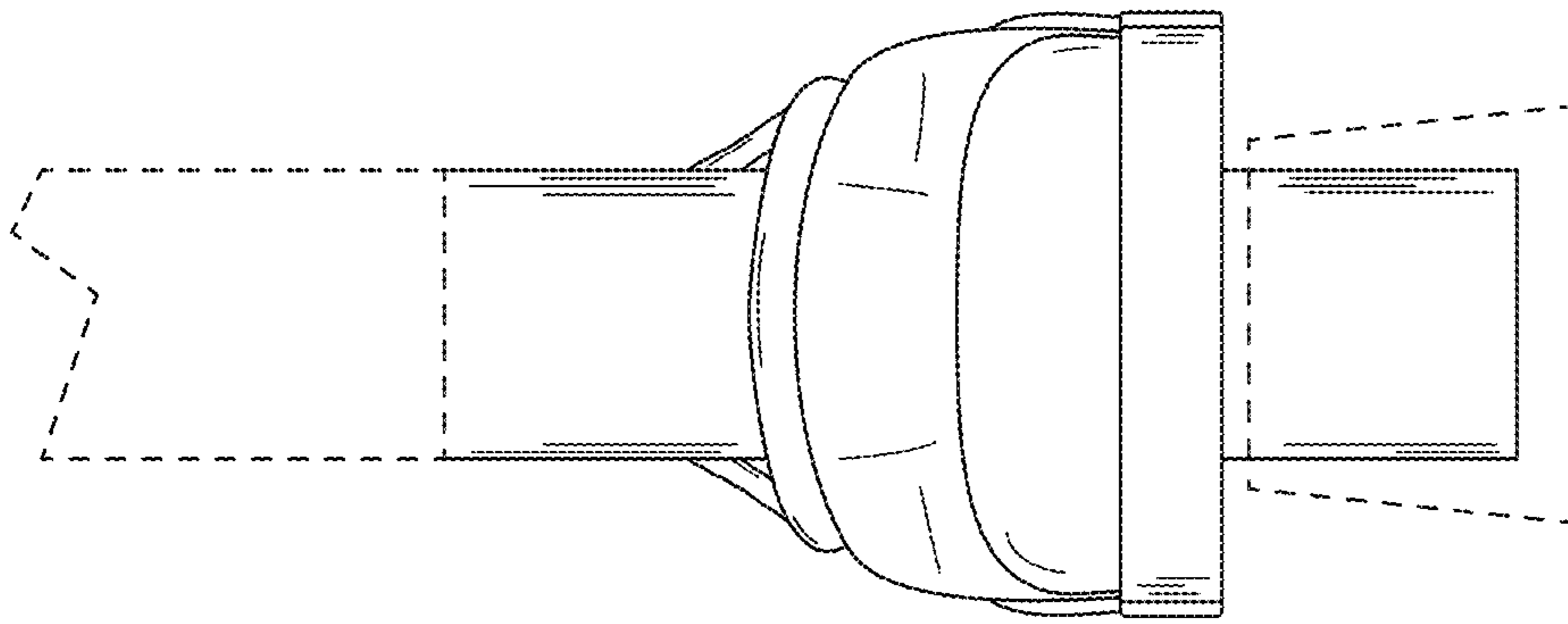


Figure 10

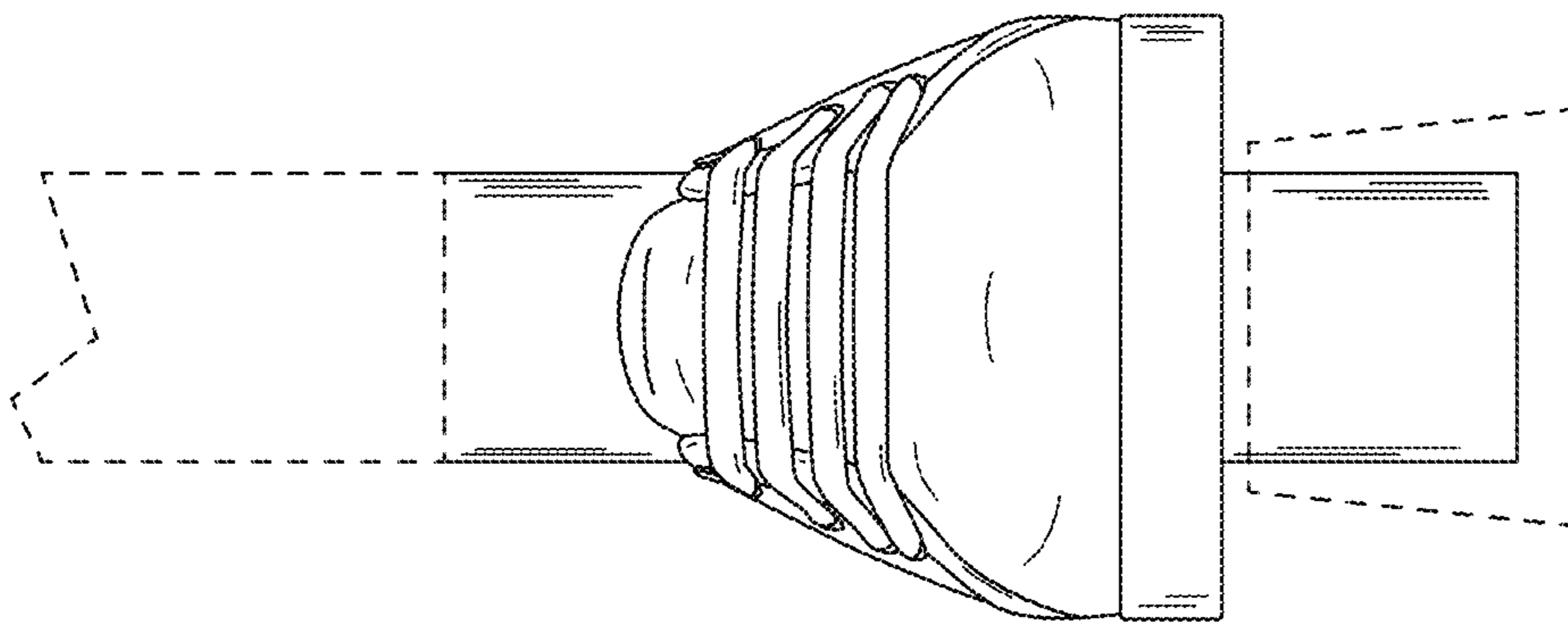


Figure 9

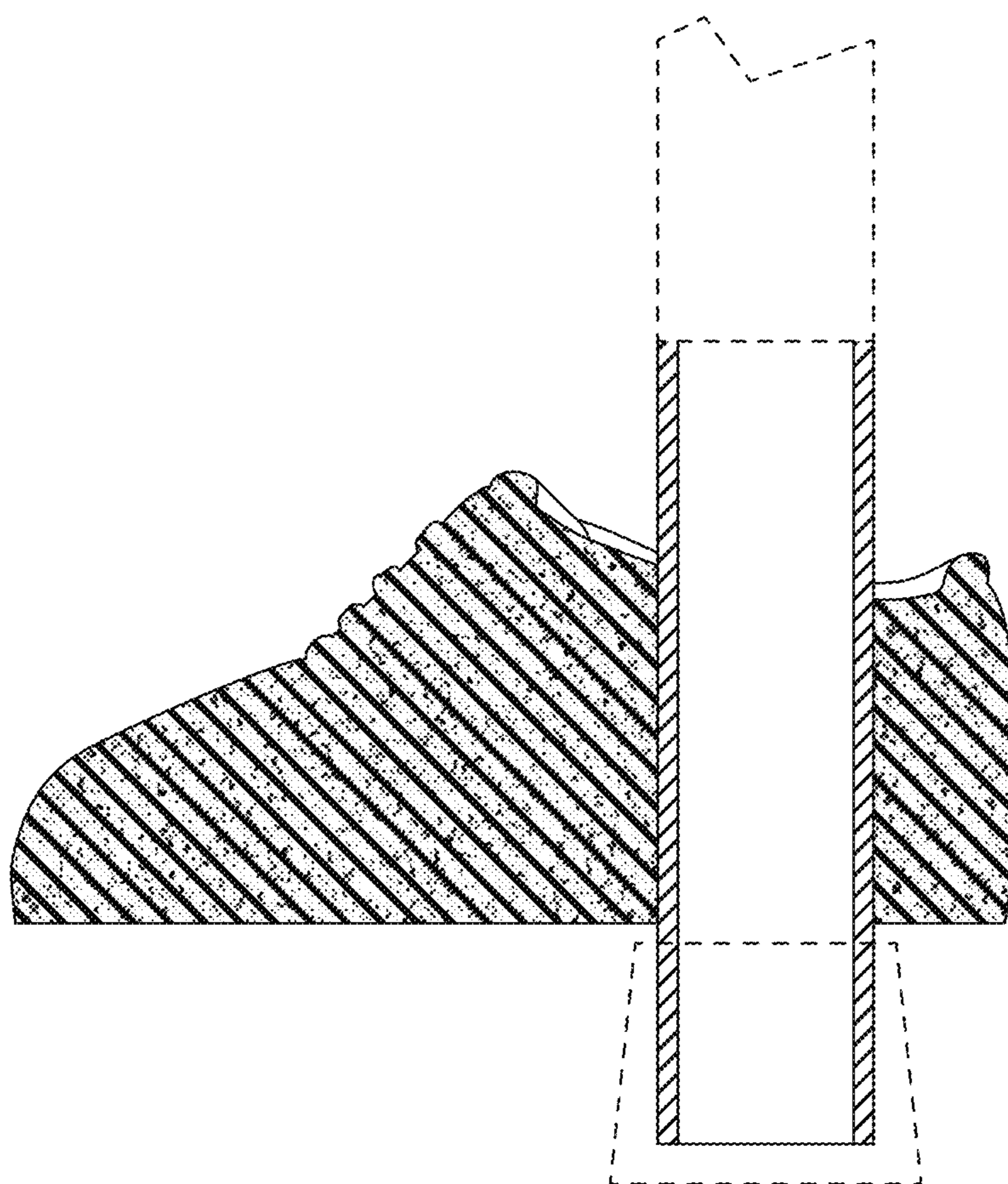


Figure 11