



US00D812354S

(12) **United States Design Patent** (10) **Patent No.:** **US D812,354 S**  
**Sassi** (45) **Date of Patent:** **\*\* \*Mar. 13, 2018**

(54) **SHOE** 1,977,995 A \* 10/1934 Morali ..... A43B 3/0078  
12/142 R  
(71) Applicant: **VALENTINO S.p.A.**, Milan (IT) D95,664 S 5/1935 Carrier  
D95,690 S 5/1935 Koomruian  
(72) Inventor: **Stefano Sassi**, Milan (IT) D99,016 S \* 3/1936 Gleason ..... D2/916  
D100,286 S 7/1936 Rauh  
D102,342 S 12/1936 Stein  
D102,344 S 12/1936 Stein  
D102,345 S 12/1936 Stein  
D102,346 S 12/1936 Stein  
(\* ) Notice: This patent is subject to a terminal disclaimer. D103,413 S 3/1937 Sholtz  
D112,600 S \* 12/1938 Delman ..... D2/927  
D129,703 S \* 9/1941 Grossman ..... D2/932  
(\*\*) Term: **15 Years** (Continued)

(21) Appl. No.: **29/560,148**

(22) Filed: **Apr. 4, 2016**

(30) **Foreign Application Priority Data**  
Oct. 5, 2015 (IT) ..... 402015000058193

(51) **LOC (11) Cl.** ..... **02-04**

(52) **U.S. Cl.**  
USPC ..... **D2/939**

(58) **Field of Classification Search**  
USPC ..... D2/916-945, 627-640  
CPC ..... A43B 21/00; A43B 21/02; A43B 21/06;  
A43B 9/14; A43B 1/0045; A43B 1/0036;  
A43B 13/10; A43B 13/12; A43B 23/06;  
A43B 23/07; A43B 5/12  
See application file for complete search history.

(56) **References Cited**  
**U.S. PATENT DOCUMENTS**  
D37,359 S 2/1905 Borchardt  
D70,267 S \* 6/1926 Davis ..... D2/931  
D84,626 S \* 7/1931 Craighead ..... D2/632  
D88,777 S \* 12/1932 Graves ..... D2/918  
D91,531 S \* 2/1934 Morali ..... D2/930  
D91,534 S \* 2/1934 Morali ..... D2/930  
D91,535 S \* 2/1934 Morali ..... D2/932  
D93,057 S 8/1934 Troy

**OTHER PUBLICATIONS**

Daily crave: Valentino Winter 2010 studded shoes, posted at heycrazy.wordpress.com, earliest date available Sep. 3, 2010, [online], acquired on Apr. 3, 2017. Available from Internet, <URL: https://heycrazy.wordpress.com/2010/09/03/daily-crave-valentino-winter-2010-studded-shoes/>.\*

(Continued)

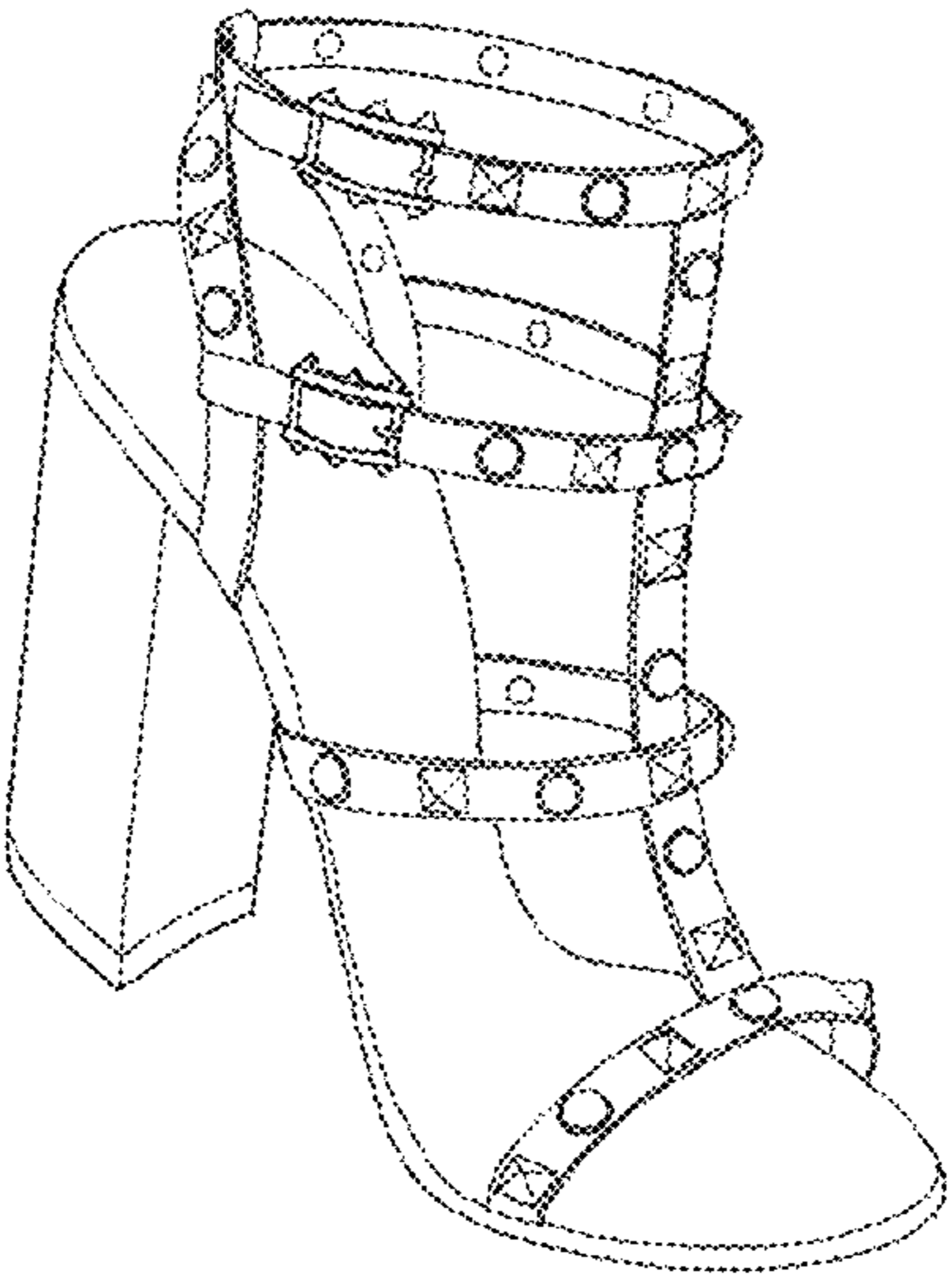
*Primary Examiner* — Cathron C Brooks  
*Assistant Examiner* — Aula Soroush  
(74) *Attorney, Agent, or Firm* — Thomas | Horstemeyer, LLP

(57) **CLAIM**  
The ornamental design for a shoe, as shown and described.

**DESCRIPTION**

FIG. 1 is a perspective view of my new design;  
FIG. 2 is a front view thereof;  
FIG. 3 is a rear view thereof opposite that of FIG. 2;  
FIG. 4 is a side view thereof;  
FIG. 5 is a side view thereof, from a side opposite that of FIG. 4;  
FIG. 6 is a top view thereof; and,  
FIG. 7 is a bottom view thereof.

**1 Claim, 7 Drawing Sheets**



(56)

## References Cited

## U.S. PATENT DOCUMENTS

D129,706	S	*	9/1941	Grossman	.....	D2/932
D131,119	S	*	1/1942	Hirshorn	.....	D2/922
D131,170	S	*	1/1942	Wolock	.....	D2/932
D131,545	S		3/1942	Vivier		
D132,292	S		5/1942	Benton		
D149,695	S		5/1948	Sandler		
D158,331	S		4/1950	Sandler		
D158,395	S		5/1950	Liberty		
D161,097	S	*	12/1950	Frankel	.....	D2/920
D162,168	S	*	2/1951	Ish-Shalom	.....	D2/918
D162,185	S	*	2/1951	Lacek	.....	D2/927
D162,186	S	*	2/1951	Lacek	.....	D2/932
3,093,916	A	*	6/1963	Hiestand	.....	A43B 3/106 36/9 R
D279,326	S		6/1985	Foldes		
D344,624	S	*	3/1994	Schnel	.....	D2/629
D486,296	S	*	2/2004	Morrison	.....	D2/917
D525,415	S	*	7/2006	Kelsey	.....	D2/925
D552,841	S	*	10/2007	Choi	.....	D2/971
D583,538	S	*	12/2008	Choi	.....	D2/925
D628,787	S	*	12/2010	Guers-Neyraud	.....	D2/929
D632,061	S	*	2/2011	Hardy	.....	D2/929
D632,470	S	*	2/2011	Guers-Neyraud	.....	D2/929
D730,030	S	*	5/2015	Della Valle	.....	D2/939
D735,981	S	*	8/2015	Louboutin	.....	D2/939
D738,598	S	*	9/2015	Sassi	.....	D2/929
D738,599	S	*	9/2015	Sassi	.....	D2/929
D740,000	S	*	10/2015	Sassi	.....	D2/929
D764,775	S	*	8/2016	Sassi	.....	D2/929
D764,776	S	*	8/2016	Sassi	.....	D2/929
D765,954	S	*	9/2016	Sassi	.....	D2/929
D766,557	S	*	9/2016	Sassi	.....	D2/929
D769,589	S	*	10/2016	Sassi	.....	D2/931
D774,737	S	*	12/2016	Sassi	.....	D2/929
D775,797	S	*	1/2017	Sassi	.....	D2/929
D779,796	S	*	2/2017	Sassi	.....	D2/929

## OTHER PUBLICATIONS

5 Bambole , posted at amazon.co.jp, earliest date available Apr. 4, 2010, [online], acquired on Apr. 13, 2017. Available from Internet, <URL: <https://www.amazon.co.jp/5-Bambole-Luna-DAgosto-Analog/dp/B00GMC8TO4>>.\*

Marc by Marc Jacobs Women's Mouse Ballerina Flat, posted at amazon.com, earliest date available Jun. 11, 2013, [online], acquired on Apr. 14, 2017. Available from Internet, <URL: <https://www.amazon.com/Marc-Jacobs-Womens-Mouse-Ballerina/dp/B00BLZA7AG>>.\*

Saint Laurent: Star-Studded Leather Fringe Sandal, posted at modesens.com, first seen Dec. 2015, [online], acquired on Apr. 14, 2017. Available from Internet, <URL: <https://modesens.com/product/SAINT-LAURENT-Star-Studded-Leather-Fringe-Sandal-Black-271581/>>.\*

Valentino Rockstud Flat, posted at nordstrom.com, earliest date reviewed Jun. 26, 2013, [online], acquired Apr. 13, 2017. Available from internet, <URL: <http://shop.nordstrom.com/s/valentino-rockstud-flat/3477176?origin=keywordsearch-personalizedsort&fashioncolor=Black%20LEATHER>>.

Valentino Rockstud Pointy Toe Pump, posted at nordstrom.com, earliest date reviewed Jan. 19, 2011, [online], acquired on Apr. 13, 2017. Available from Internet, <URL: <http://shop.nordstrom.com/s/valentino-rockstud-pointy-toe-pump-women/3139048>>.

Valentino Rockstud T-Strap Pump, posted at nordstrom.com, earliest date reviewed Dec. 10, 2012, [online], acquired on Apr. 13, 2017. Available from Internet, <URL: <http://shop.nordstrom.com/s/valentino-rockstud-t-strap-pump-women/3171736>>.

Valentino Rockstud 100mm Light Pink Patent Leather Slingback Pump, posted at valentino-outlet.cc, earliest date reviewed Jul. 27, 2014, [online], acquired on Apr. 13, 2017. Available from Internet, <URL: [http://www.valentino-outlet.cc/valentino-rockstud-100mm-light-pink-patent-leather-slingback-pum-p-16.html?page=2&number\\_of\\_uploads=0](http://www.valentino-outlet.cc/valentino-rockstud-100mm-light-pink-patent-leather-slingback-pum-p-16.html?page=2&number_of_uploads=0)>.

\* cited by examiner



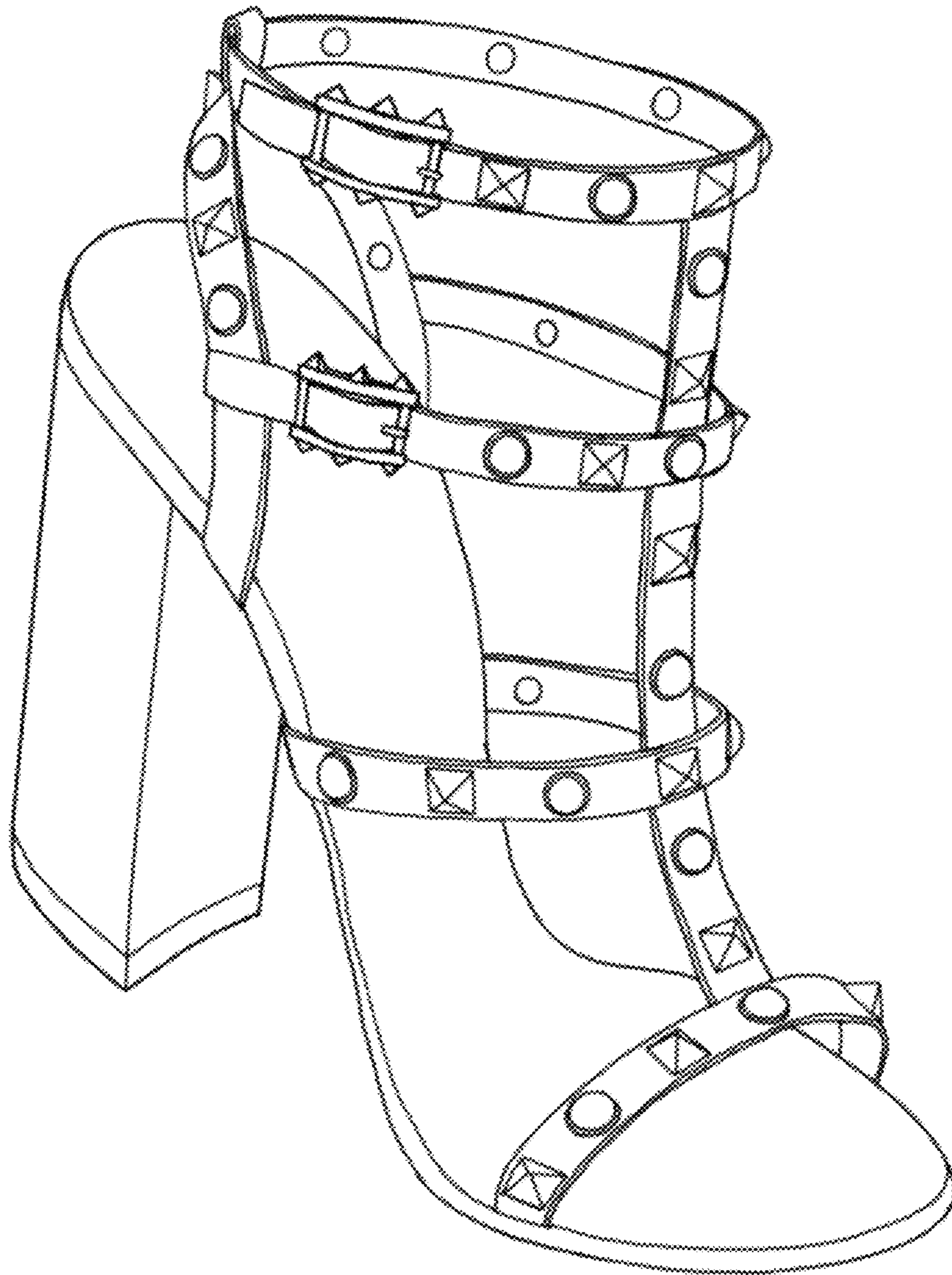


FIG. 1

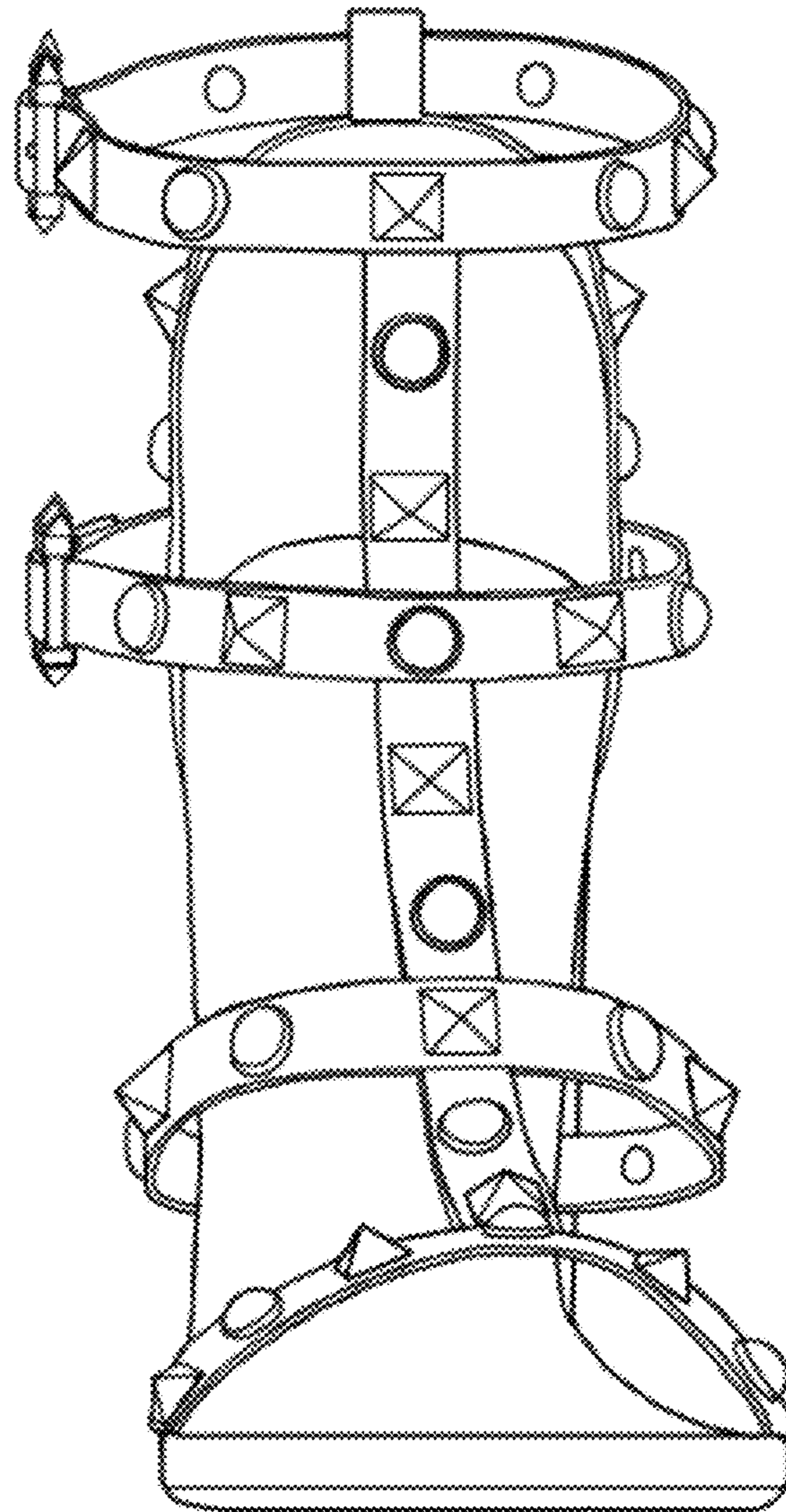


FIG. 2

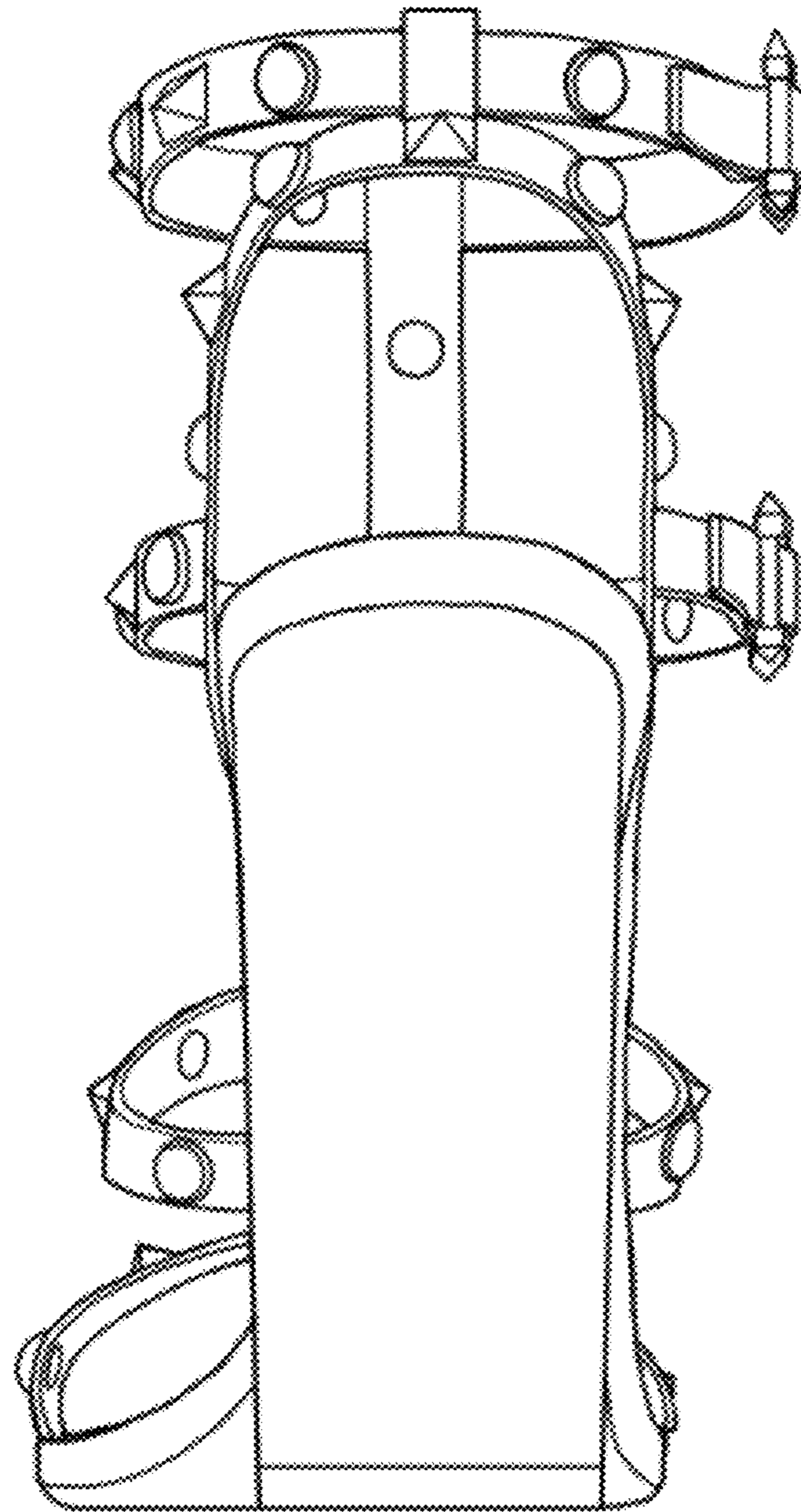


FIG. 3

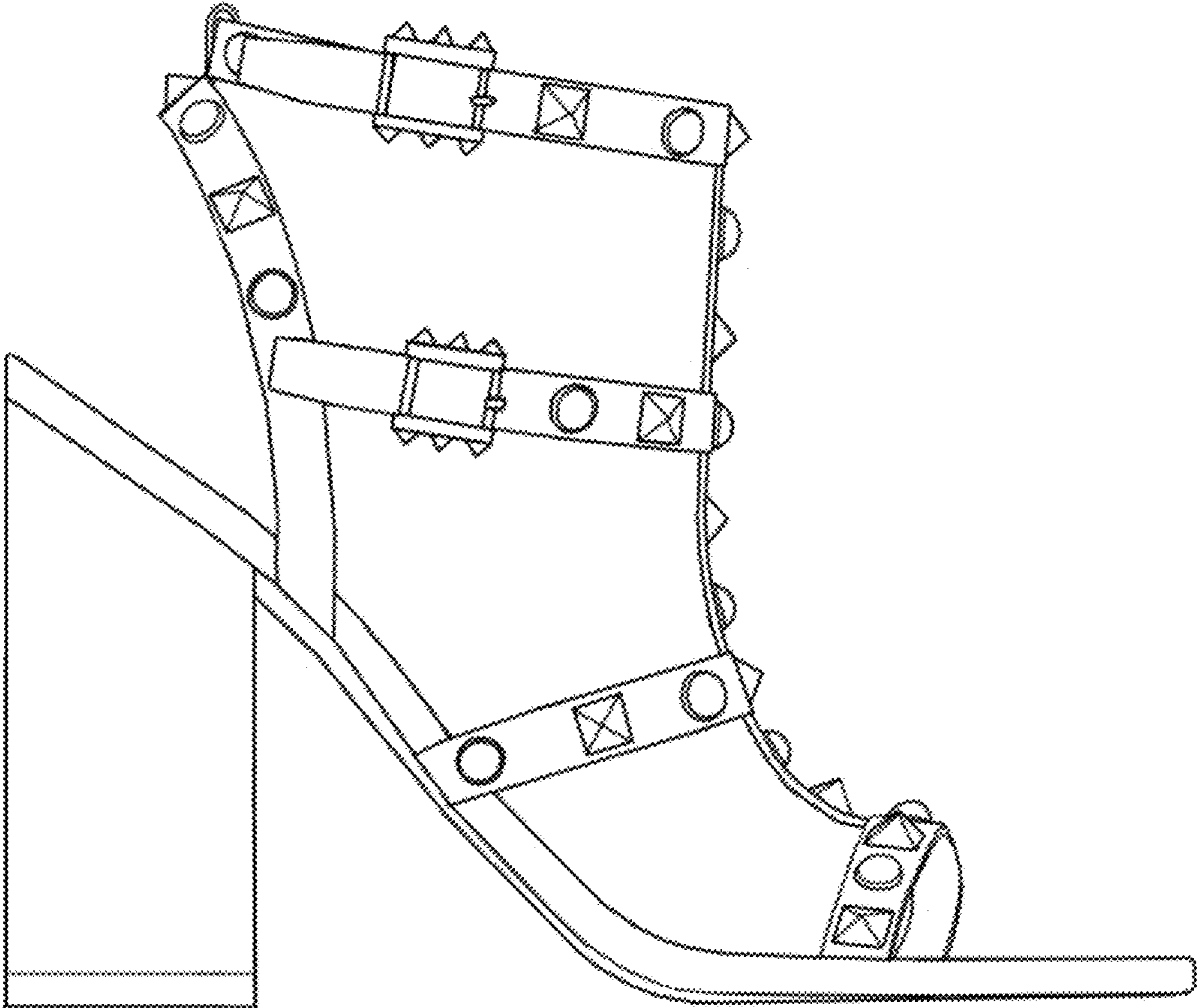


FIG. 4



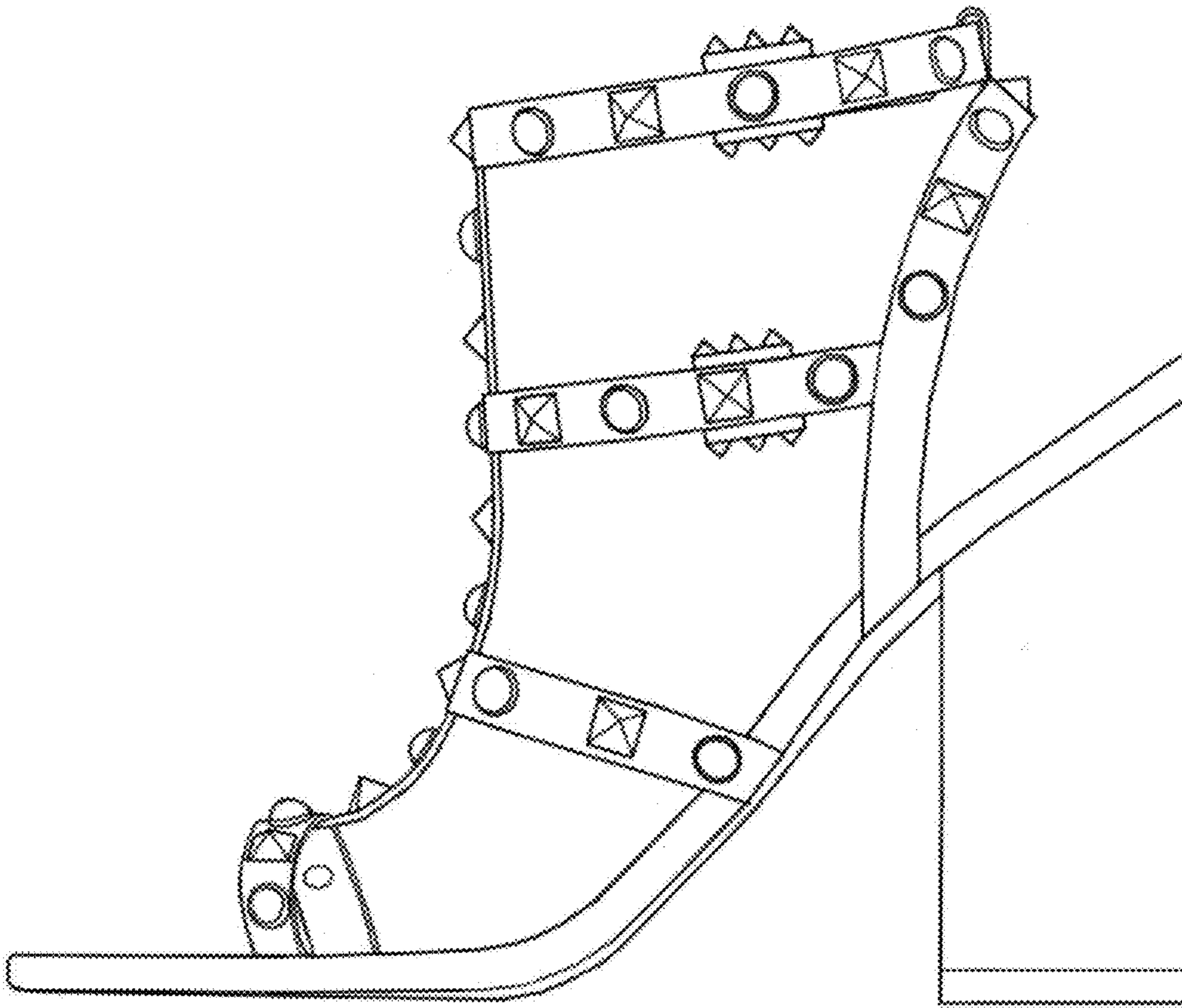


FIG. 5

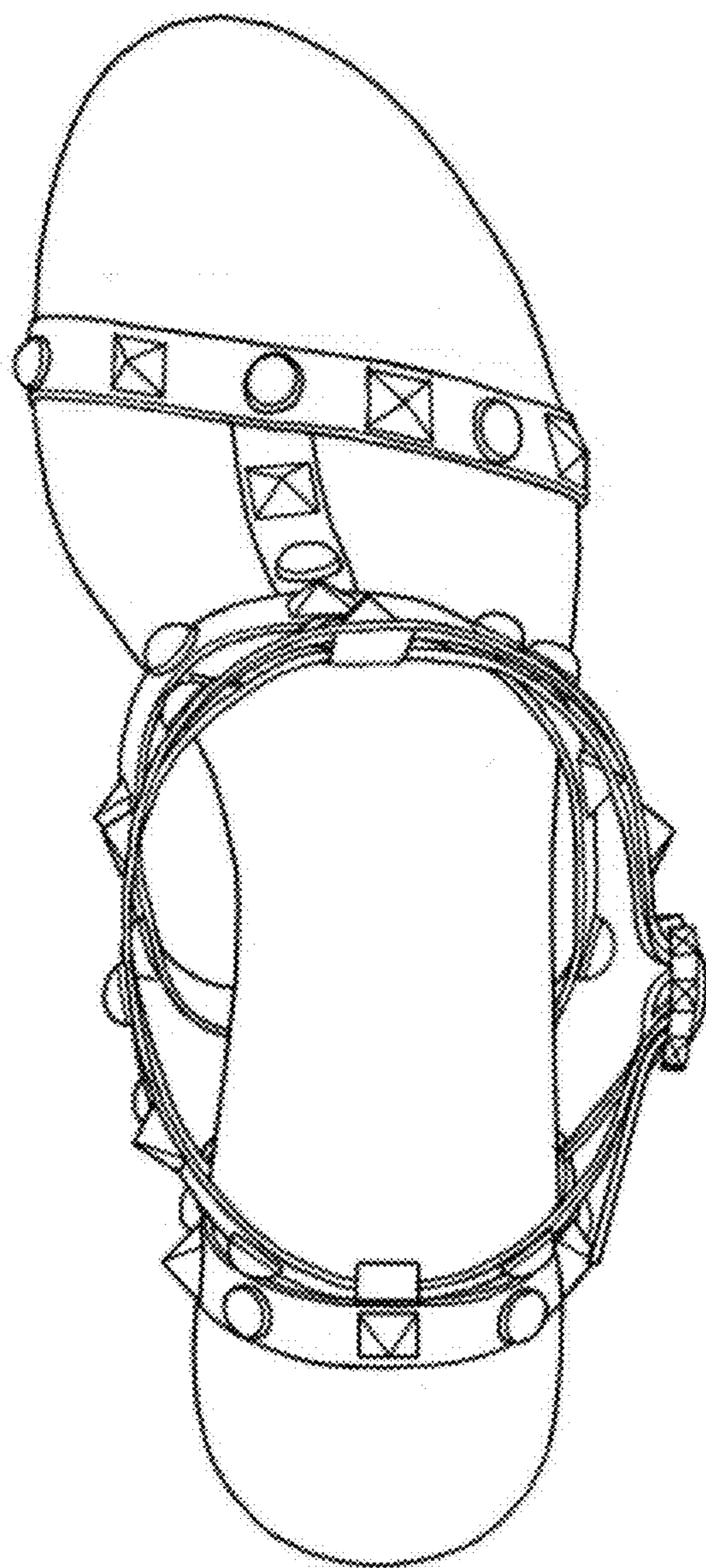


FIG. 6



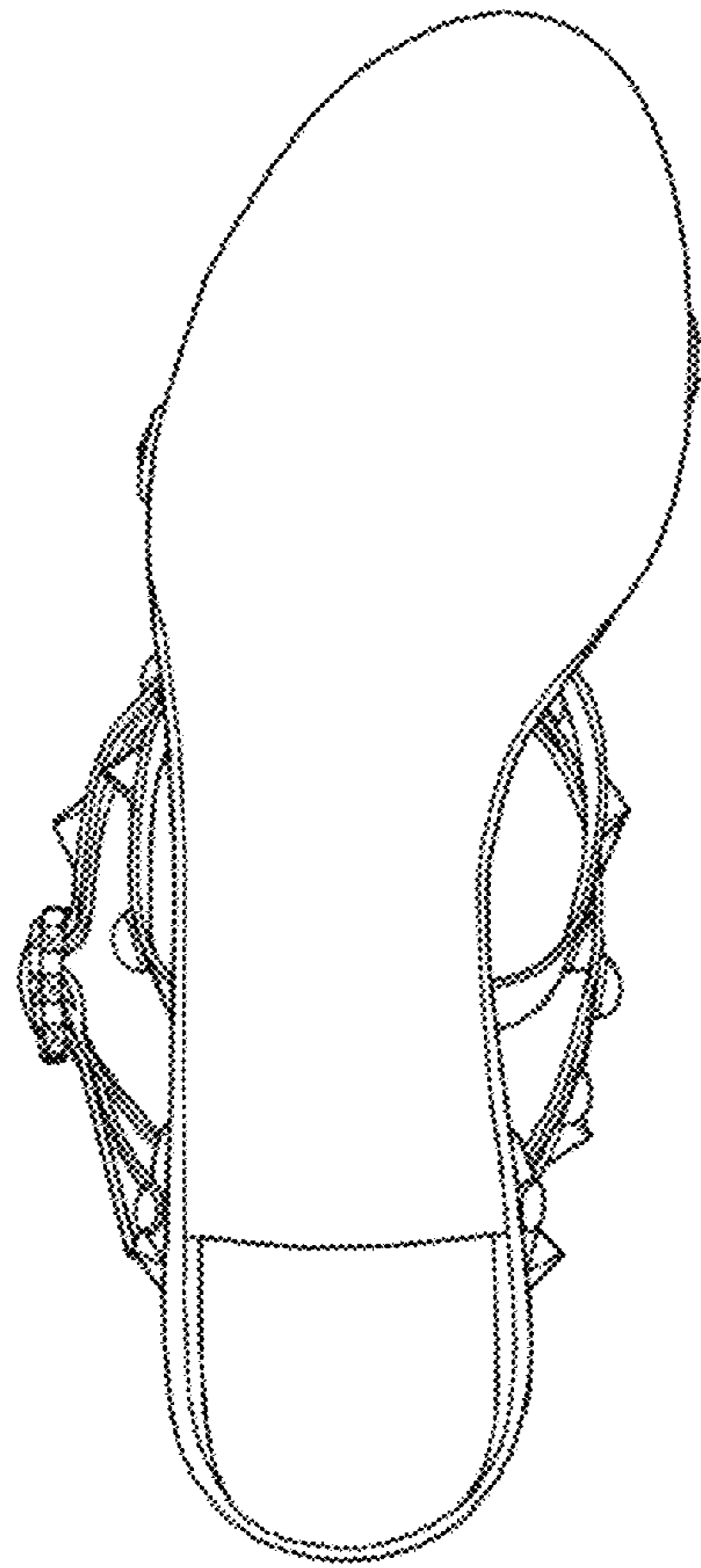


FIG. 7