



US00D812353S

(12) **United States Design Patent** (10) **Patent No.:** **US D812,353 S**  
**Casadei** (45) **Date of Patent:** **\*\* Mar. 13, 2018**

(54) **FOOTWEAR**

(71) Applicant: **J. Choo Limited**, London (GB)

(72) Inventor: **Alfredo Casadei**, London (GB)

(73) Assignee: **J. Choo Limited**, London (GB)

(\*\*) Term: **15 Years**

(21) Appl. No.: **29/561,889**

(22) Filed: **Apr. 20, 2016**

(30) **Foreign Application Priority Data**

Nov. 5, 2015 (EM) ..... 002847913-0011

(51) **LOC (11) Cl.** ..... **02-04**

(52) **U.S. Cl.**  
USPC ..... **D2/926**

(58) **Field of Classification Search**

USPC ..... D2/965, 919, 921, 896, 916-918,  
D2/925-942, 946, 968-969, 970-971

CPC ..... A43B 21/00; A43B 21/02; A43B 21/06;  
A43B 1/0036; A43B 1/0045; A43B 9/14;  
A43B 13/10; A43B 13/12; A43B 23/06;  
A43B 23/07; A43B 5/12

See application file for complete search history.

(56) **References Cited**

**U.S. PATENT DOCUMENTS**

D111,866 S \* 10/1938 Troy ..... D2/939  
D131,119 S \* 1/1942 Hirshorn ..... D2/922  
D134,194 S \* 10/1942 Locilento ..... D2/910  
D247,073 S \* 1/1978 Kane ..... D2/926

(Continued)

**OTHER PUBLICATIONS**

Jimmy Choo, Merry Suede Mule, as posted at Gilt.com [online],  
posting date not available, [site visited May 10, 2017]. Available on

the Internet, <URL: <https://www.gilt.com/brand/jimmy-choo/product/1147404931-jimmy-choo-merry-suede-mule>>.\*

*Primary Examiner* — Jeffrey D Asch

*Assistant Examiner* — Rebekah A Caruso

(74) *Attorney, Agent, or Firm* — Fross Zelnick Lehrman  
& Zissu, P.C.; Lawrence E. Apolzon, Esq.

(57) **CLAIM**

The ornamental design for footwear, as shown and described.

**DESCRIPTION**

FIG. 1 is a front perspective view of footwear showing my new design;

FIG. 2 is a right side view of the footwear shown in FIG. 1;

FIG. 3 is a left side view of the footwear shown in FIG. 1;

FIG. 4 is a front view of the footwear shown in FIG. 1;

FIG. 5 is a rear view of the footwear shown in FIG. 1;

FIG. 6 is a top view of the footwear shown in FIG. 1;

FIG. 7 is a close-up of a portion of the bottom view of the footwear shown in FIG. 1, with a heel shown completely and a sole shown partially where the balance of the sole has the same design;

FIG. 8 is a close-up front perspective view of the front portion of the footwear shown in FIG. 1; and,

FIG. 9 is a close-up rear perspective view of the back portion of the footwear shown in FIG. 1.

The shadows and reflections in the photos do not form part of the claimed design.

The enlarged fragmentary views, FIGS. 7-9, are included to clarify details of the design that may not be apparent in the other views. The dot-dash broken lines shown in FIGS. 7-9 indicate where the claim has been truncated. The dot-dash broken lines form no part of the claimed design.

The claimed design is indicated by the relatively dark portions in the figures. The relatively light portions, including the heel cap and front portion of the platform midsole, form no part of the claimed design.

**1 Claim, 9 Drawing Sheets**



(56)

**References Cited**

U.S. PATENT DOCUMENTS

D259,822 S	7/1981	Melzi et al.	
D411,241 S	6/1999	Van Dyke	
D548,945 S	8/2007	Choi	
D632,469 S	2/2011	Guers-Neyraud	
D633,285 S	3/2011	Guers-Neyraud	
D670,076 S	11/2012	Choi	
D673,356 S	1/2013	Wilkinson	
D725,876 S *	4/2015	Spring .....	D2/910
D734,598 S *	7/2015	Muskat .....	D2/926
D739,649 S *	9/2015	Wang .....	D2/940
D783,243 S *	4/2017	Campbell .....	D2/926
2017/0119099 A1 *	5/2017	Ferguson .....	A43B 21/26

\* cited by examiner



FIG. 1



FIG. 2



FIG. 3



FIG. 4

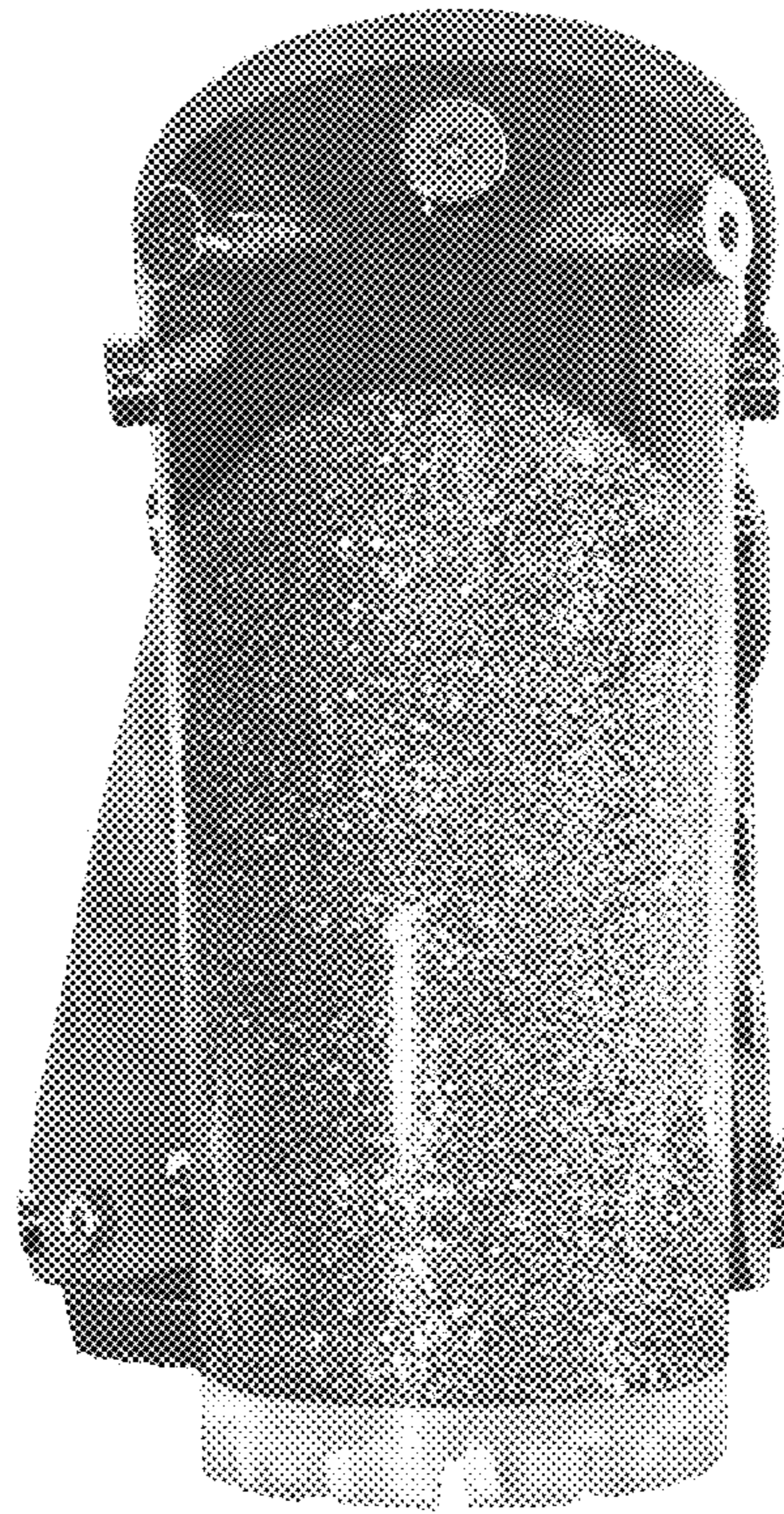


FIG. 5

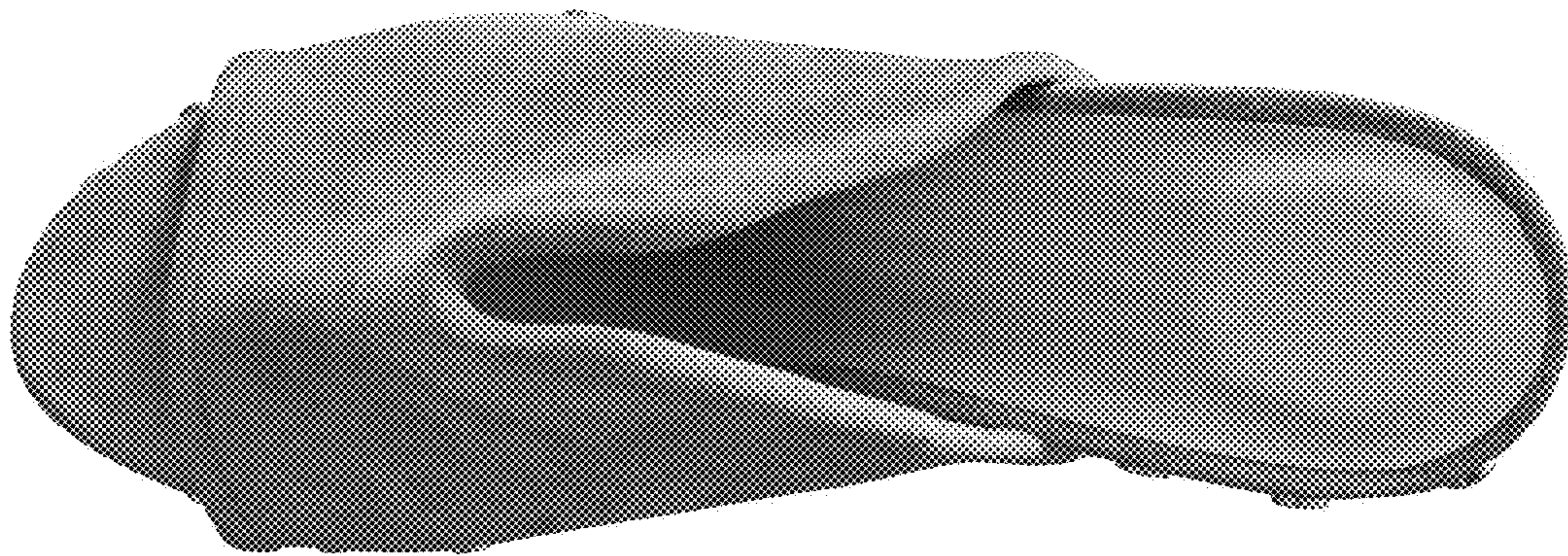


FIG. 6



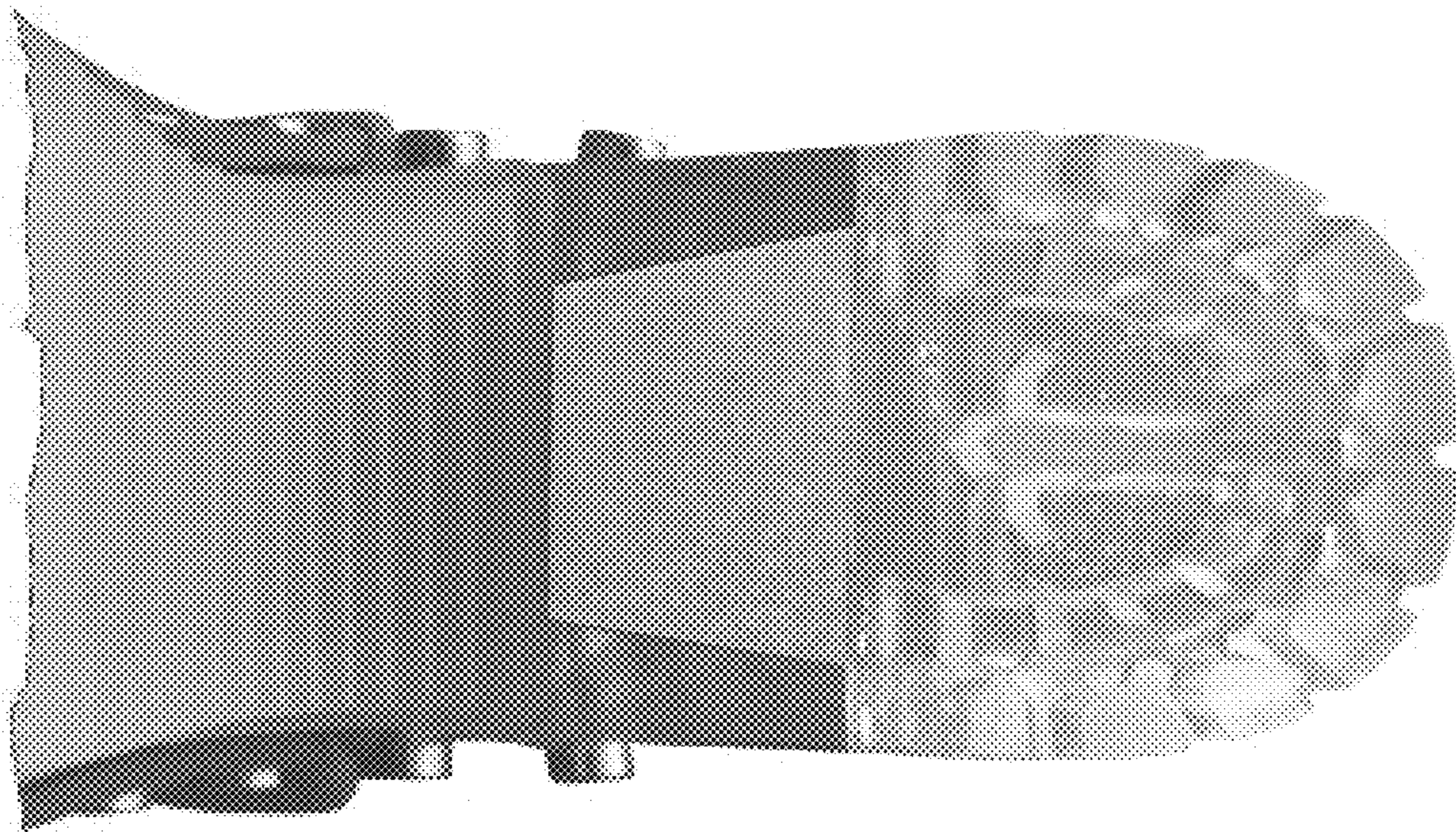


FIG. 7

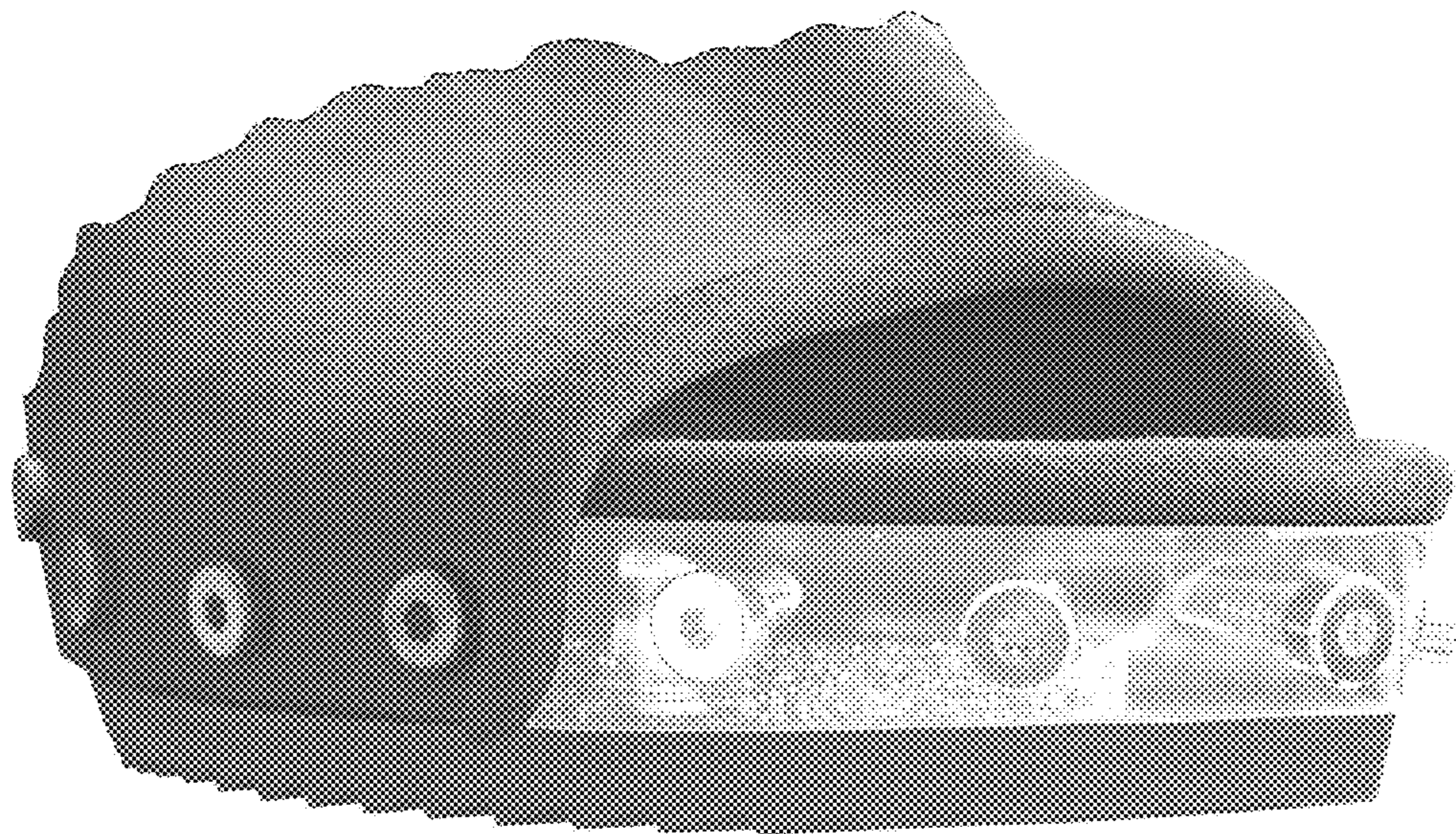


FIG. 8



FIG. 9