



US00D812344S

(12) **United States Design Patent**  
**Brazile et al.**

(10) **Patent No.:** **US D812,344 S**  
(45) **Date of Patent:** **\*\* Mar. 13, 2018**

- (54) **PERSONAL SAMPLING BELT**
- (71) Applicant: **Colorado State University Research Foundation**, Fort Collins, CO (US)
- (72) Inventors: **William J. Brazile**, Loveland, CO (US); **Mollie J. Brazile**, Loveland, CO (US)
- (73) Assignee: **Colorado State University Research Foundation**, Fort Collins, CO (US)
- (\*\*) Term: **15 Years**
- (21) Appl. No.: **29/560,260**
- (22) Filed: **Apr. 5, 2016**

- 4,348,774 A \* 9/1982 Woodson ..... A41F 9/002  
128/95.1
- D299,585 S \* 1/1989 Corwin ..... 224/223
- 5,016,291 A \* 5/1991 Capper ..... A41F 9/002  
2/221
- 5,240,156 A 8/1993 Sicotte
- 5,540,366 A \* 7/1996 Coomber ..... A41F 9/002  
224/587
- D409,522 S \* 5/1999 Satterfield ..... D11/200
- 6,270,485 B1 8/2001 Ekey
- 6,279,804 B1 8/2001 Gregg
- 6,478,205 B1 11/2002 Fujihashi
- 6,610,032 B1 8/2003 Prody
- 7,854,020 B2 12/2010 Ehrlickman
- 7,900,278 B2 3/2011 Pittman

(Continued)

**Related U.S. Application Data**

- (63) Continuation of application No. 15/090,233, filed on Apr. 4, 2016.
- (51) **LOC (11) Cl.** ..... **02-07**
- (52) **U.S. Cl.**  
USPC ..... **D2/627; D3/228**
- (58) **Field of Classification Search**  
USPC ..... D2/624-629, 631, 633, 634, 636-640,  
D2/859; D3/215, 222, 224, 226, 228;  
D8/44, 383; D11/200, 210, 217, 218,  
D11/233  
CPC . A41D 27/08; A41F 11/16; A41F 3/02; A41F  
9/002; A44B 11/005; A45F 2003/006;  
A45F 2200/05; A45F 3/005; B60R  
2022/006; F41B 13/00  
See application file for complete search history.

**References Cited**

**U.S. PATENT DOCUMENTS**

- 764,999 A \* 7/1904 Gallert ..... A41F 9/002  
2/321
- 3,077,618 A \* 2/1963 O'Link ..... A41F 9/002  
441/113

**OTHER PUBLICATIONS**

Non-Final Office Action, U.S. Appl. No. 15/090,233, dated May 30, 2017.

*Primary Examiner* — Celia Murphy

*Assistant Examiner* — Clare Ann Gannon

(74) *Attorney, Agent, or Firm* — Polsinelli PC

(57) **CLAIM**

The ornamental design for a personal sampling belt, as shown and described.

**DESCRIPTION**

FIG. 1 is a perspective view of a personal sampling belt showing our new design.

FIG. 2 is a front view of the personal sampling belt.

FIG. 3 is a back view of the personal sampling belt.

FIG. 4 is a right side view of the personal sampling belt.

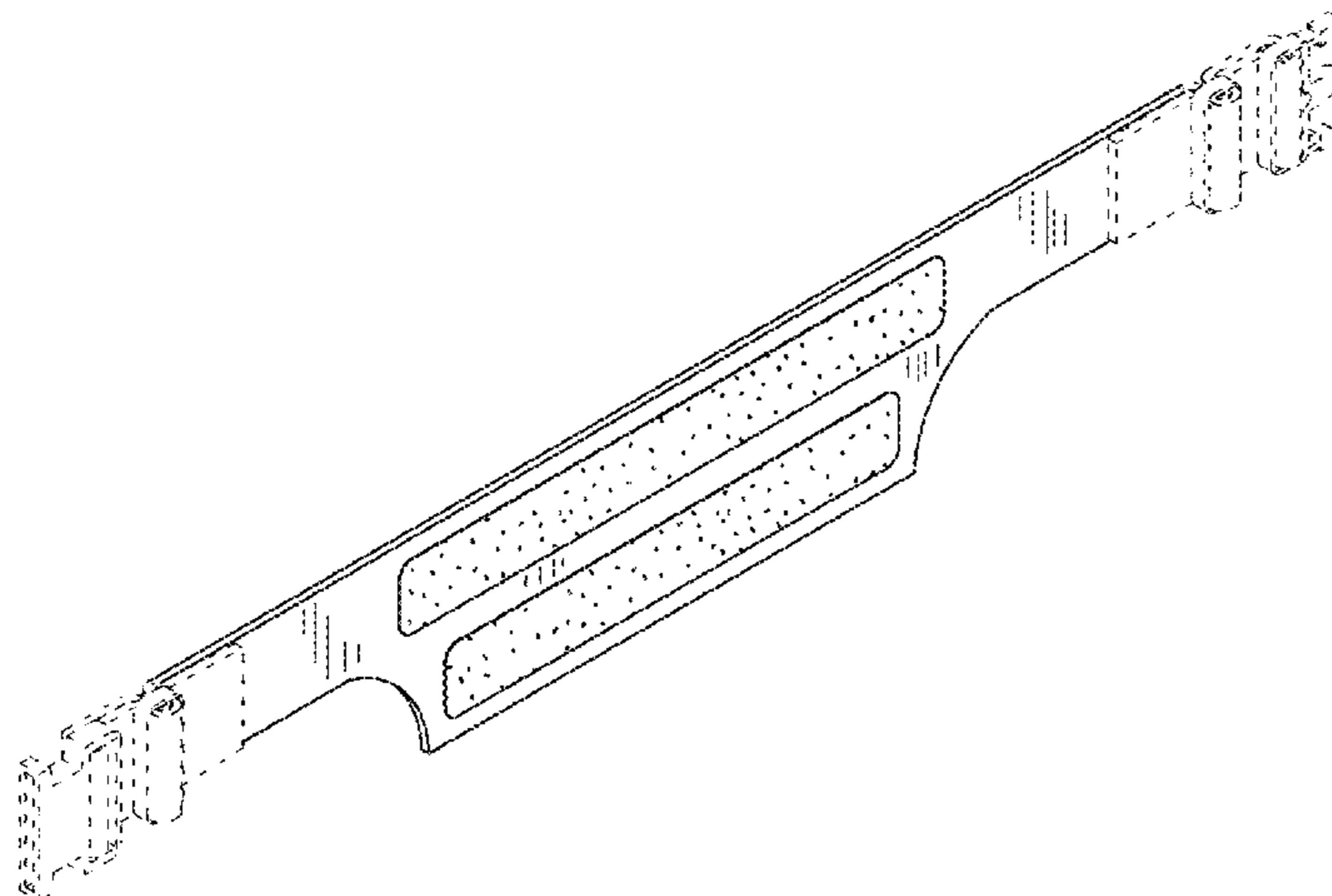
FIG. 5 is a left side view of the personal sampling belt.

FIG. 6 is a top view of the personal sampling belt; and,

FIG. 7 is a bottom view of the personal sampling belt.

The broken lines shown in the Figures are environment only and form no part of the claimed design.

**1 Claim, 4 Drawing Sheets**



(56)

**References Cited**

U.S. PATENT DOCUMENTS

8,226,621	B2	7/2012	Timmons	
D712,558	S *	9/2014	Ledbetter .....	D24/206
D718,928	S *	12/2014	Ruiz .....	D3/226
9,089,198	B1	7/2015	Devereaux	
9,161,574	B2	10/2015	Swendseid	
2009/0289090	A1	11/2009	Fullerton	

\* cited by examiner

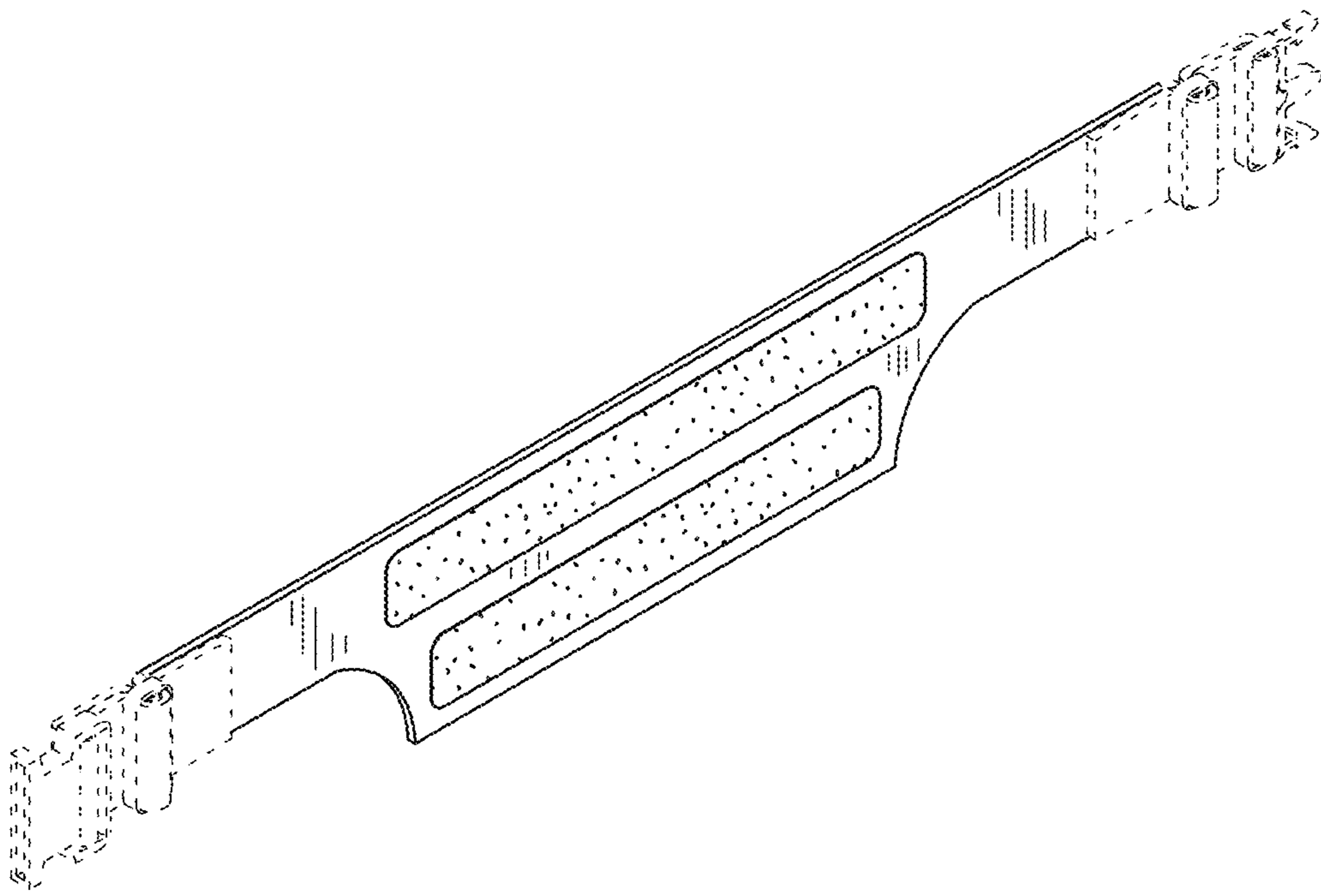


FIG.1

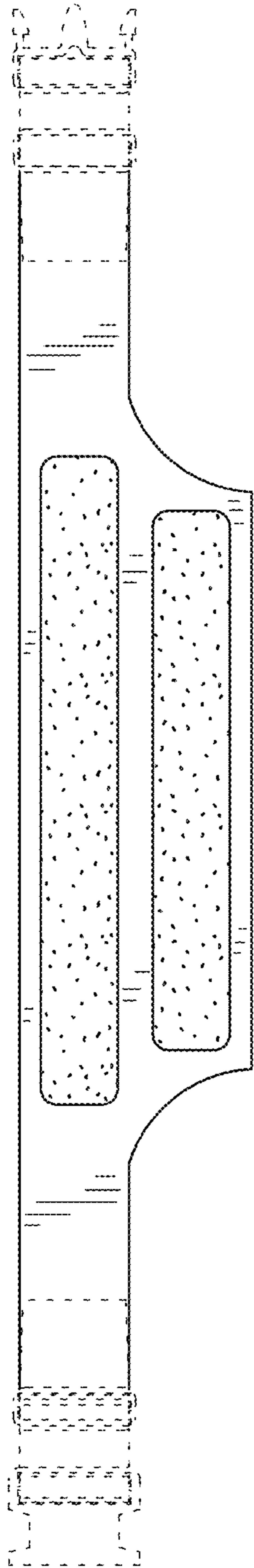


FIG. 2

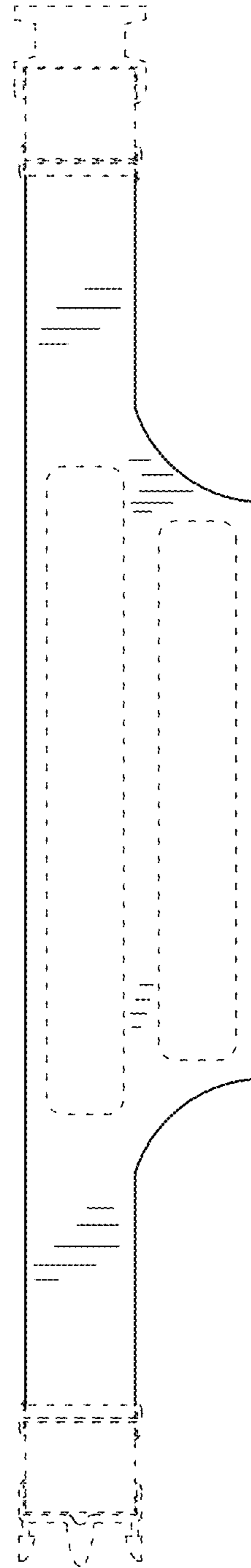


FIG. 3

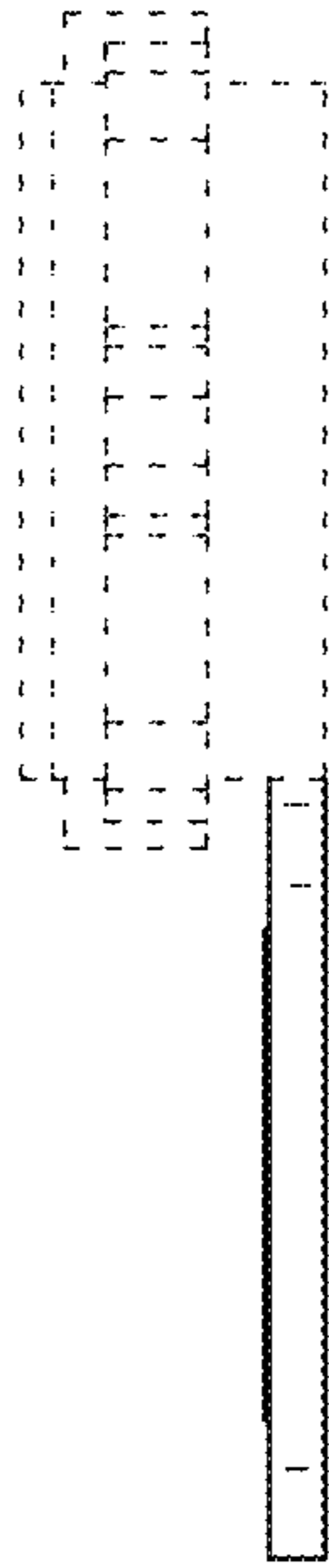


FIG. 4



FIG. 5

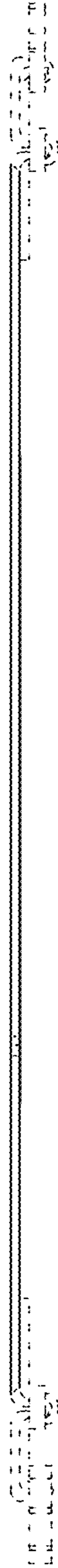


FIG. 6



FIG. 7