



US00D812337S

(12) **United States Design Patent**
Reynolds

(10) **Patent No.:** **US D812,337 S**
(45) **Date of Patent:** **** Mar. 6, 2018**

(54) **CREMATION URN WITH DECORATIVE APPLIQUE APPLIED THERETO**

(71) Applicant: **Batesville Services, Inc.**, Batesville, IN (US)

(72) Inventor: **Kristine Ann Reynolds**, Oldenburg, IN (US)

(73) Assignee: **Batesville Services, Inc.**, Batesville, IN (US)

(**) Term: **15 Years**

(21) Appl. No.: **29/567,466**

(22) Filed: **Jun. 9, 2016**

Related U.S. Application Data

(60) Division of application No. 29/501,850, filed on Sep. 9, 2014, now Pat. No. Des. 759,338, which is a continuation of application No. 13/799,919, filed on Mar. 13, 2013, now Pat. No. 9,198,819.

(51) **LOC (11) Cl.** **99-00**

(52) **U.S. Cl.**
USPC **D99/5**

(58) **Field of Classification Search**

USPC D99/5; 27/1; D7/540; D9/545, 548, D9/435, 434, 504, 503, 452, 454; D11/152, 153, 154, 90, 121; 206/508, 206/525; 220/288, 258.3, 265, 521; 211/85.27; 215/320, 343, 344; 63/1.11, 63/1.14

CPC A61G 17/08; A61G 17/00
See application file for complete search history.

(56) **References Cited**

U.S. PATENT DOCUMENTS

1,149,524 A * 8/1915 Jones F01P 11/0214
220/288
D57,488 S * 4/1921 Vivadow D9/503

1,509,524 A * 9/1924 Morrison A47F 3/145
206/216

2,235,617 A 3/1941 Klinzing
2,385,520 A 9/1945 Klinzing
2,465,755 A 3/1949 Sanders
(Continued)

FOREIGN PATENT DOCUMENTS

CN 201719497 1/2011
CN 201832093 5/2011
(Continued)

OTHER PUBLICATIONS

U.S. Appl. No. 61/675,628, filed Jul. 25, 2012.
(Continued)

Primary Examiner — Paula Allen Greene

(74) *Attorney, Agent, or Firm* — Wood Herron & Evans LLP

(57) **CLAIM**

The ornamental design for a cremation urn with decorative applique applied thereto, as shown and described.

DESCRIPTION

FIG. 1 is a top perspective view of my new, original and ornamental design for a cremation urn with decorative applique applied thereto.

FIG. 2 is a top view thereof.

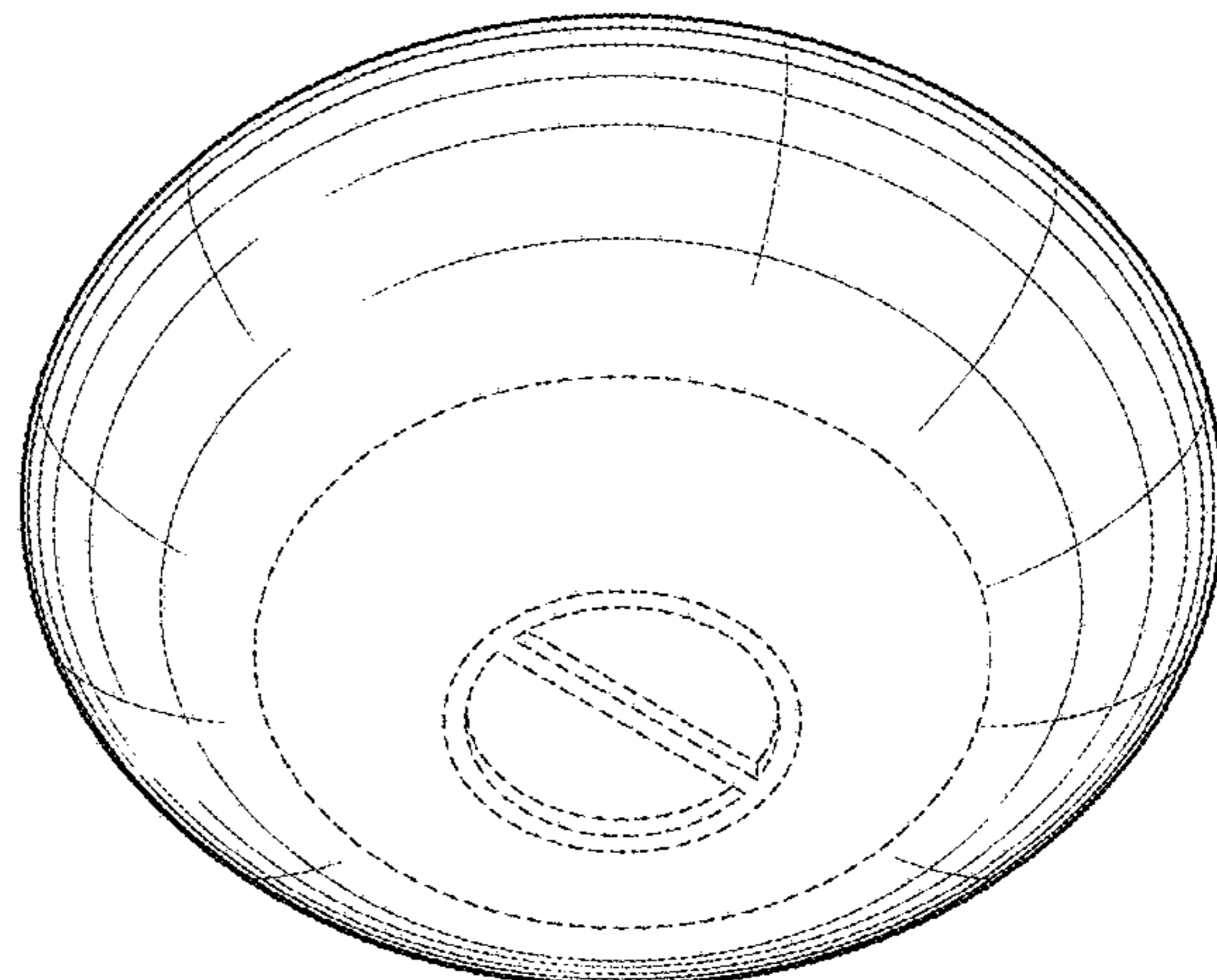
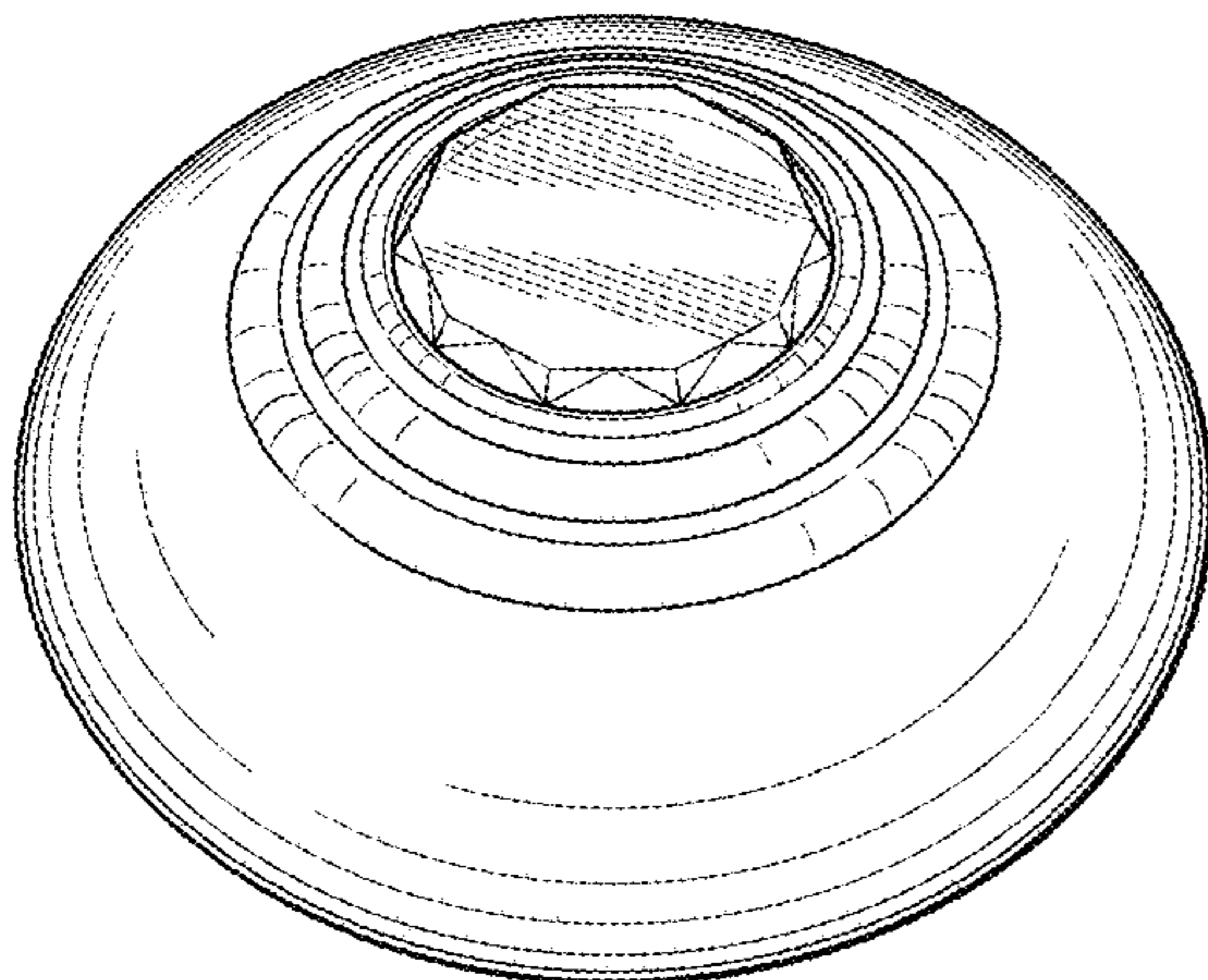
FIG. 3 is a front view thereof, the back view, left side view, and right side view thereof being identical thereto.

FIG. 4 is a top perspective view of a portion of FIG. 1, enlarged; and,

FIG. 5 is a bottom perspective view thereof.

The dash lines illustrate environment and form no part of the claimed design. The dash-dot lines represent unclaimed portions and/or unclaimed boundaries of the design.

1 Claim, 3 Drawing Sheets



(56)

References Cited

U.S. PATENT DOCUMENTS

2,562,726 A 7/1951 MacDonald et al.
 3,405,837 A * 10/1968 Carpenter, Jr. B65D 39/082
 220/258.3
 D214,894 S 8/1969 Chandler
 3,470,929 A * 10/1969 Thornton B65D 51/165
 215/378
 3,732,602 A 5/1973 Vigh
 D247,318 S 2/1978 Bennett
 D255,215 S 6/1980 Ellinwood
 D258,821 S 4/1981 Wareham et al.
 D260,492 S 9/1981 Scott
 D266,486 S 10/1982 Lutz
 D275,269 S * 8/1984 Sun D11/121
 D303,584 S 9/1989 Bakic
 5,029,373 A 7/1991 Raymond
 D345,848 S 4/1994 May et al.
 D345,850 S 4/1994 Nakaue
 5,379,499 A 1/1995 Jackson
 D356,422 S 3/1995 Parker
 D360,732 S 7/1995 Parker
 D385,081 S 10/1997 Parker
 5,815,897 A 10/1998 Longstreth
 D411,747 S 6/1999 Kokenge et al.
 D425,283 S 5/2000 Thesken
 D434,201 S 11/2000 Thesken
 D447,717 S * 9/2001 Siebenberg D11/90
 6,526,636 B2 3/2003 Bernhardt
 D475,290 S * 6/2003 Cooper D11/90
 6,584,658 B2 7/2003 Robinson
 6,735,831 B1 5/2004 Greiwe et al.
 6,755,314 B2 6/2004 Cooper
 7,000,760 B2 2/2006 Lau
 7,318,262 B1 1/2008 Florea
 D563,785 S 3/2008 Maki et al.
 D584,475 S 1/2009 Mytych et al.
 D621,124 S 8/2010 Biegel

D643,993 S 8/2011 Biegel
 8,046,881 B2 11/2011 Johnson
 D650,964 S 12/2011 Roberson
 8,220,119 B2 7/2012 Burlage et al.
 8,387,219 B2 3/2013 Rojdev
 8,510,921 B2 8/2013 Florea
 8,555,471 B2 10/2013 Rojdev
 8,567,023 B2 10/2013 Burlage et al.
 9,198,819 B2 * 12/2015 Reynolds A61G 17/08
 D759,338 S * 6/2016 Reynolds A61G 17/08
 D99/5
 D759,388 S * 6/2016 Davis D5/44
 2003/0024089 A1 2/2003 Dziekonski
 2005/0055812 A1 * 3/2005 Fischer A61G 17/08
 27/1
 2009/0266108 A1 10/2009 Balme et al.
 2010/0011549 A1 1/2010 Thompson
 2010/0024480 A1 2/2010 Emer
 2010/0299895 A1 12/2010 Burlage et al.
 2012/0267383 A1 10/2012 Van Rooyen
 2013/0074299 A1 3/2013 Rojdev
 2014/0047684 A1 * 2/2014 Reynolds A61G 17/08
 27/1

FOREIGN PATENT DOCUMENTS

CN 202146414 2/2012
 CN 202191444 4/2012
 DE 19608261 1/1995
 JP 3145162 9/2008

OTHER PUBLICATIONS

Search Report, corresponding GB Application No. GB1314522.2,
 Jan. 30, 2014.
 Marcelo Urns not dated copy found in copending U.S. Appl. No.
 61/683,525.

* cited by examiner

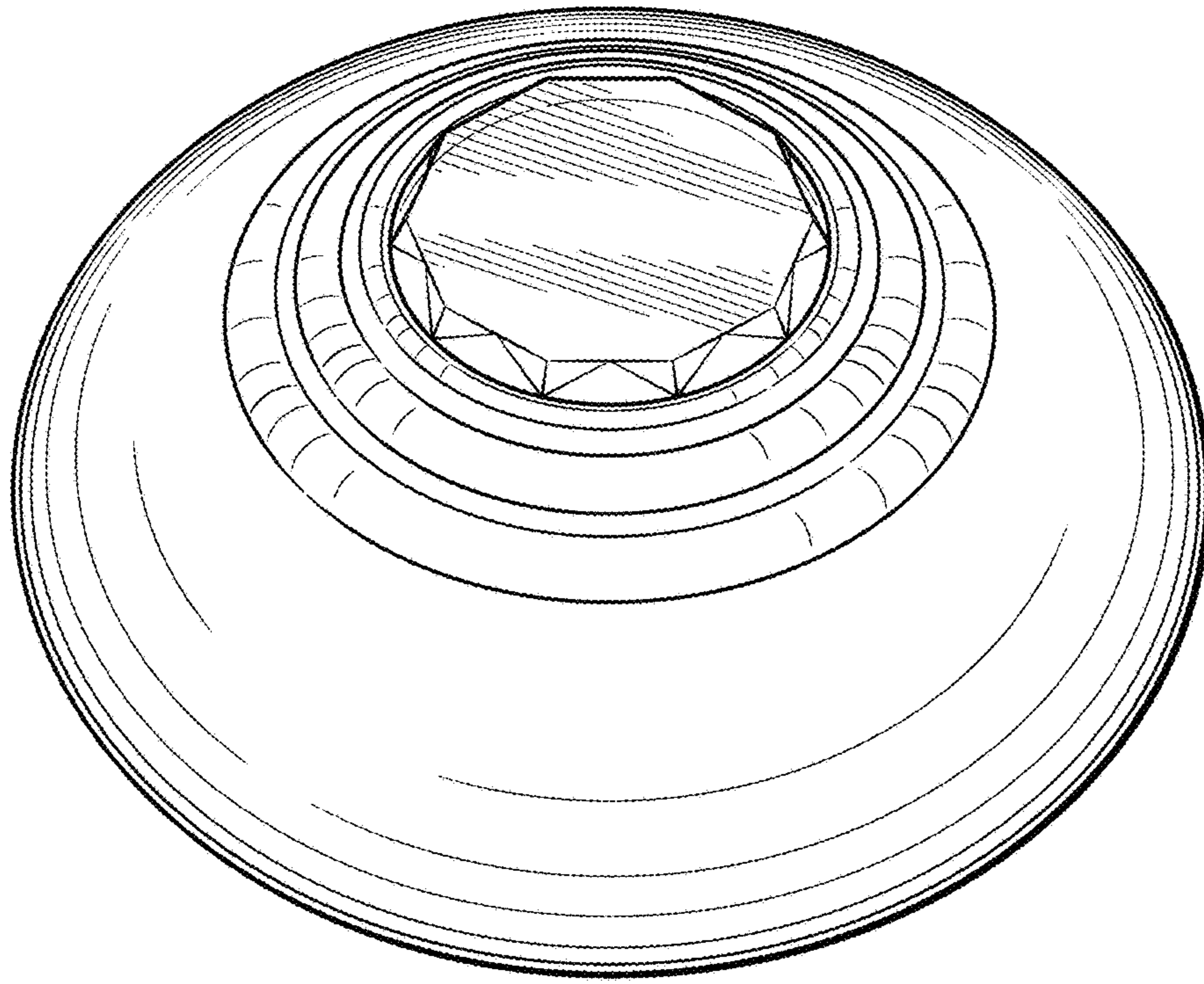


FIG. 1

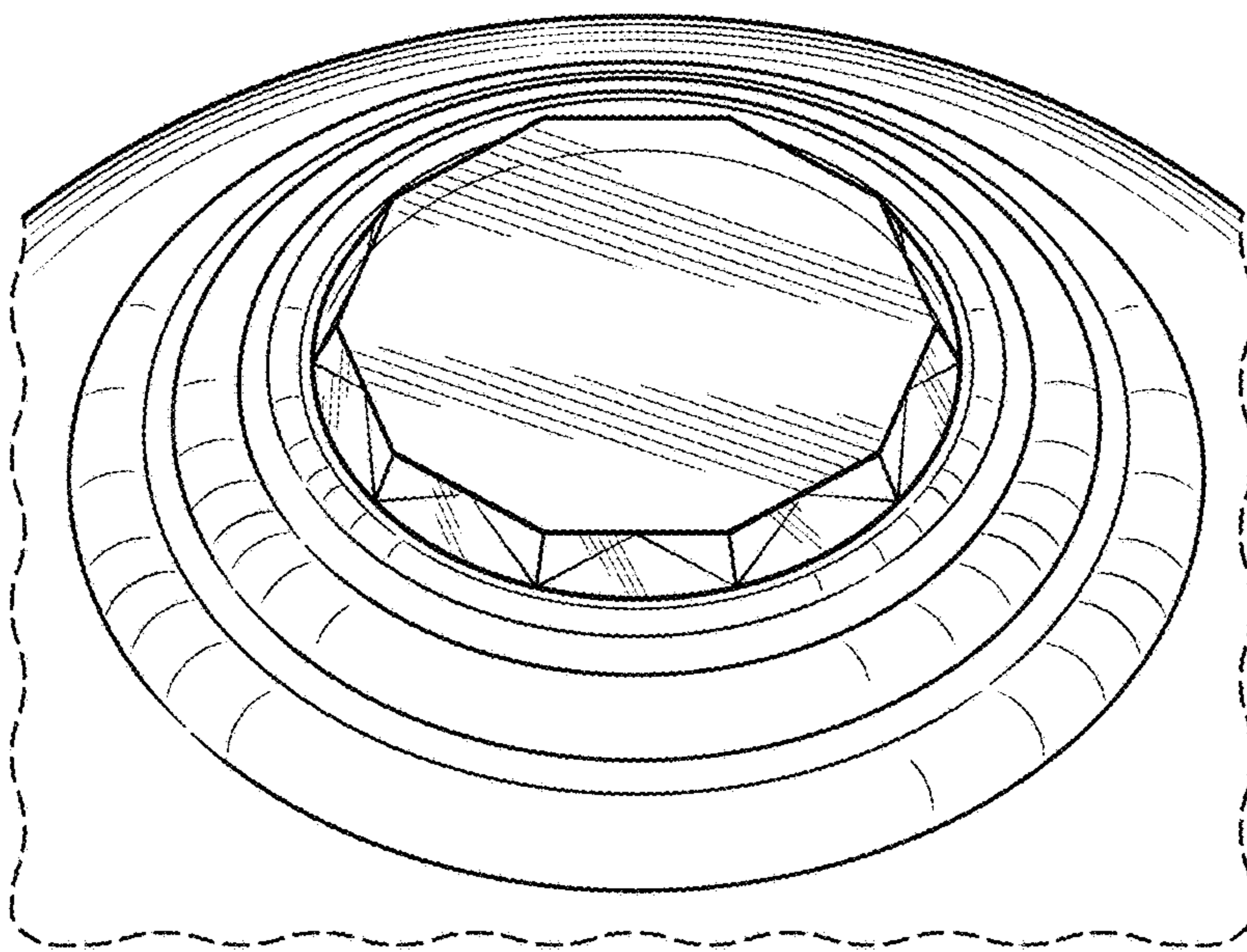


FIG. 4

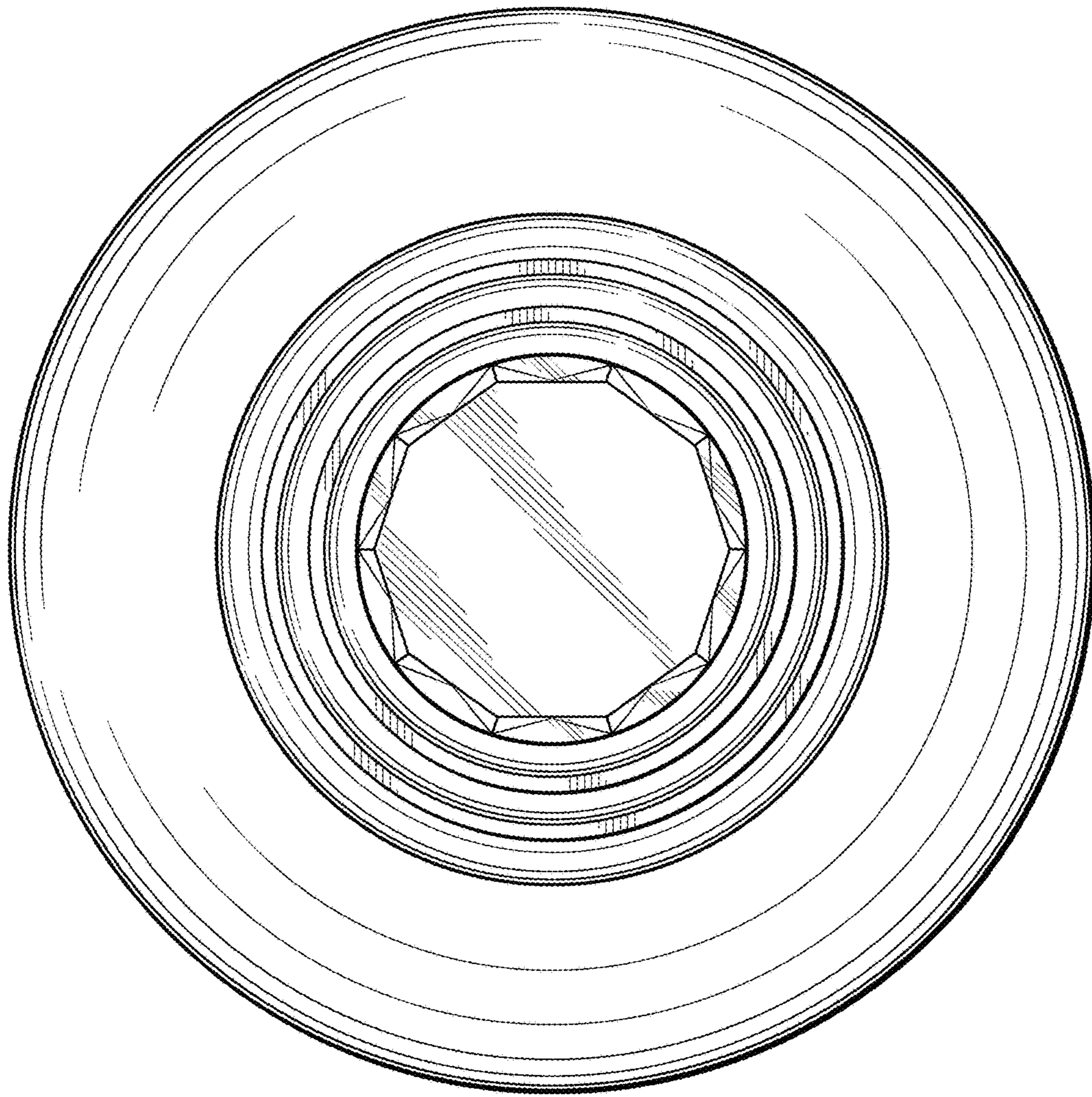


FIG. 2

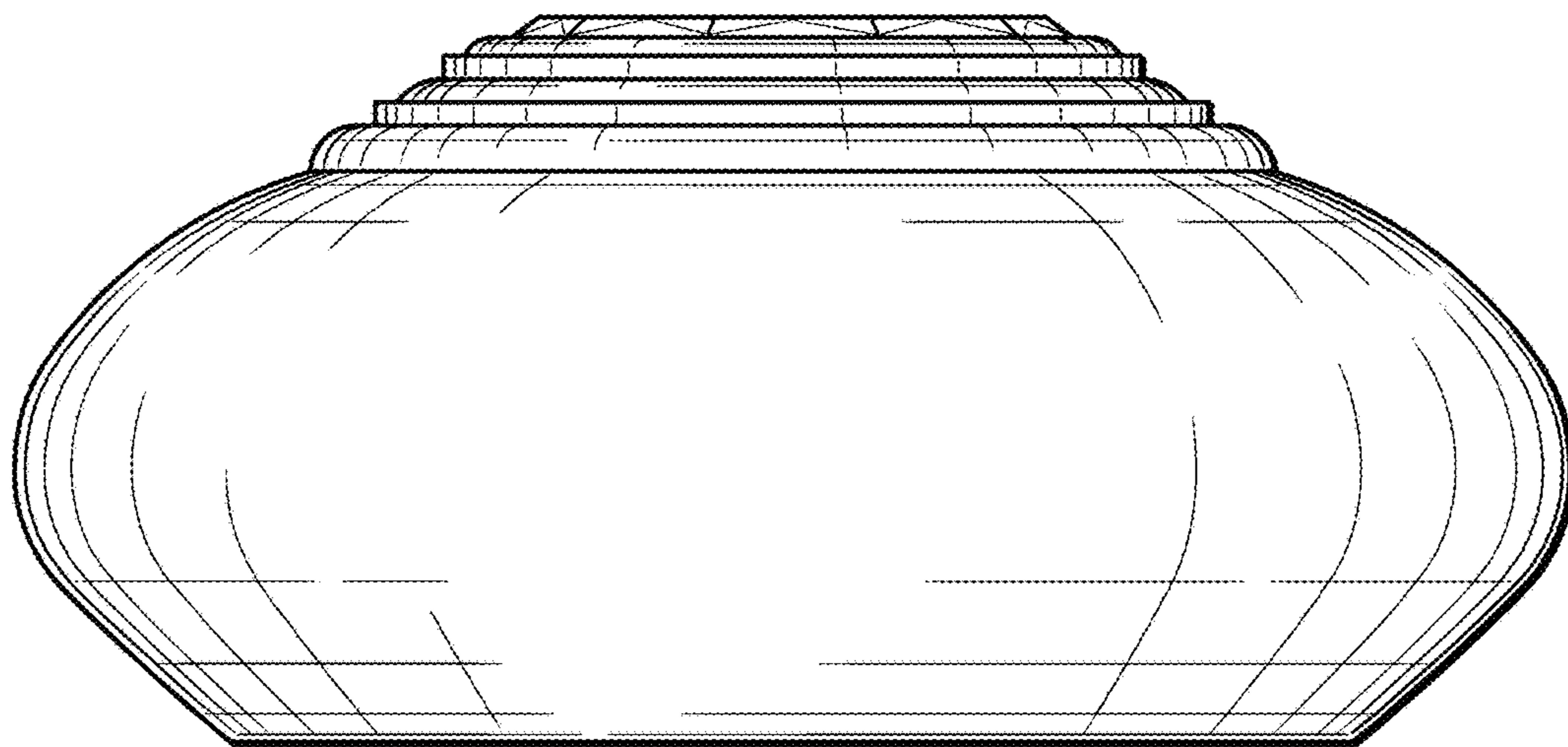


FIG. 3

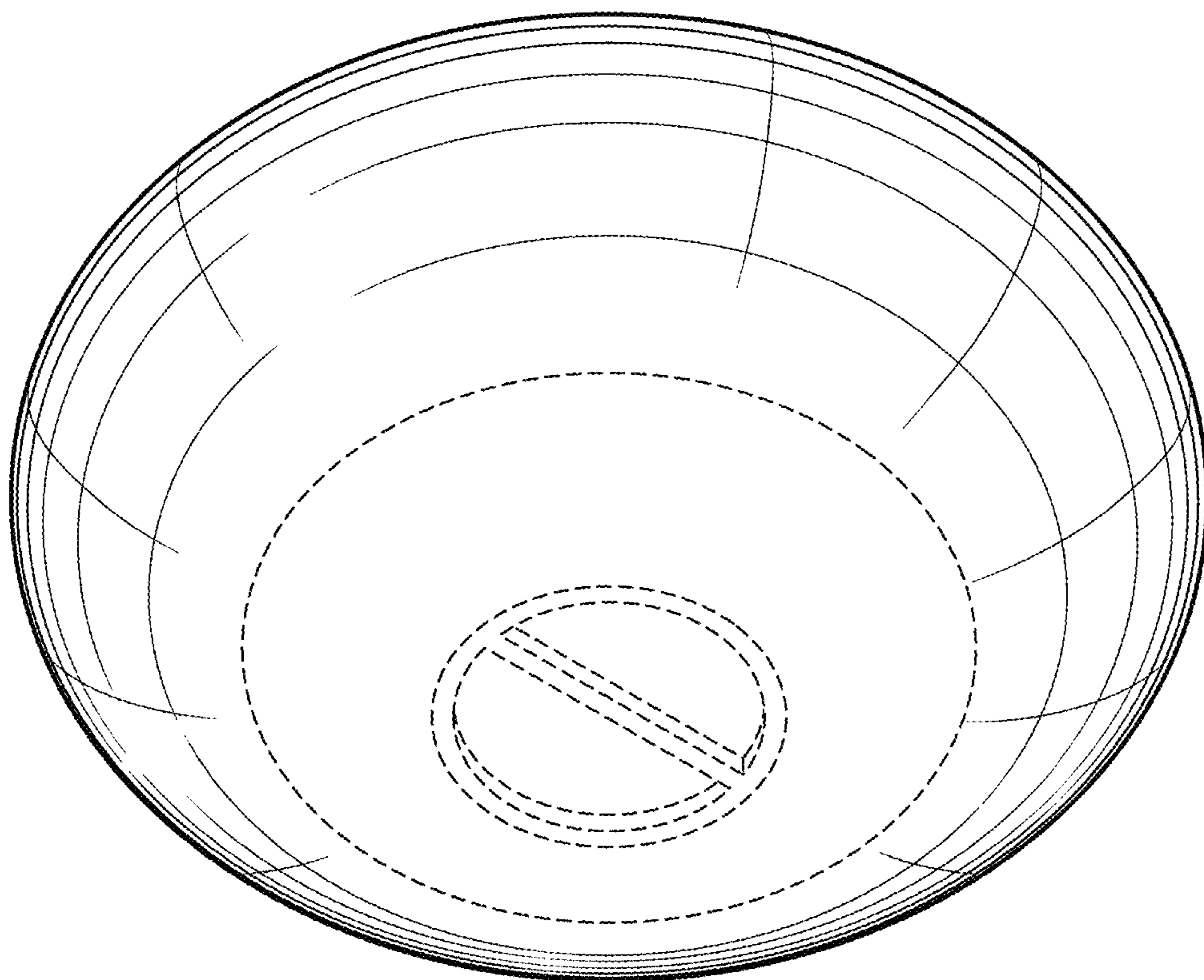


FIG. 5