



US00D812333S

(12) **United States Design Patent**
Gong et al.

(10) **Patent No.:** **US D812,333 S**
(45) **Date of Patent:** **** Mar. 6, 2018**

(54) **GOLF PUSH TROLLEY**

(71) Applicant: **CADDIESTER GOLF BUGGY TECHNOLOGY LTD**, Changzhou, Jiangsu (CN)

(72) Inventors: **Xiaojun Gong**, Jiangsu (CN); **Ximing Kou**, Jiangsu (CN); **Qian Gong**, Jiangsu (CN)

(73) Assignee: **CADDIESTER GOLF BUGGY TECHNOLOGY LTD**, Changzhou (CN)

(**) Term: **15 Years**

(21) Appl. No.: **29/578,826**

(22) Filed: **Sep. 24, 2016**

(30) **Foreign Application Priority Data**

May 25, 2016 (CN) 2016 3 0199805

(51) **LOC (11) Cl.** **12-02**

(52) **U.S. Cl.**
USPC **D34/15**

(58) **Field of Classification Search**
USPC ... 280/30, 38, 40, 47.35, 5.32, 62, 639, 642, 280/651, 654, 659, 79.11, 79.3; D34/12-15, 16-21, 22-25, 26-27
CPC A63B 2055/603; A63B 55/60; B60D 2001/005; B62B 2202/404; B62K 2005/002; Y10S 280/06
See application file for complete search history.

(56) **References Cited**

U.S. PATENT DOCUMENTS

D454,417 S * 3/2002 Wu D34/15
D468,511 S * 1/2003 Liu D34/15
D488,279 S * 4/2004 Wu D34/15
D531,778 S * 11/2006 Liao D34/15
D574,571 S * 8/2008 Liao D34/15

D597,274 S * 7/2009 Wu D34/15
D634,091 S * 3/2011 Liao D34/15
D637,783 S * 5/2011 Liao D34/15
D638,601 S * 5/2011 Lin D34/15

(Continued)

OTHER PUBLICATIONS

Caddiester. X1-EP Golf Cart. Oct. 21, 2017. <http://www.caddiester.us/>. Shown on p. 1. (Year: 2017).*

(Continued)

Primary Examiner — Cynthia Ramirez
Assistant Examiner — Michael A Maharajh

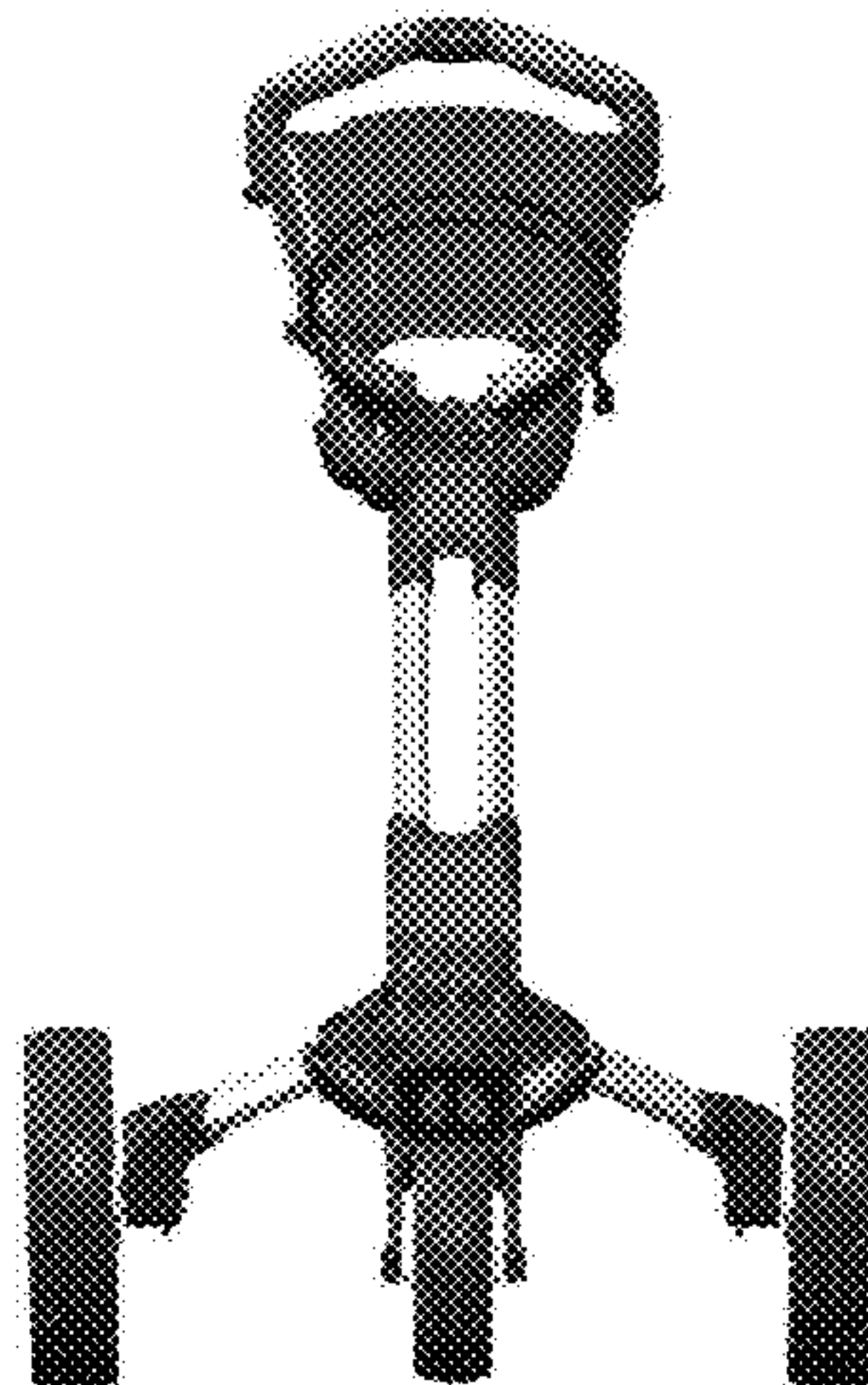
(57) **CLAIM**

The ornamental design for a golf push trolley, as shown and described.

DESCRIPTION

FIG. 1 is a front elevational view of a golf push trolley showing our new design;
FIG. 2 is a rear elevational view thereof;
FIG. 3 is a right side view thereof;
FIG. 4 is a left side view thereof;
FIG. 5 is a top plan view thereof;
FIG. 6 is a bottom plan view thereof;
FIG. 7 is a first perspective view thereof;
FIG. 8 is a second perspective view thereof;
FIG. 9 is a third perspective view thereof;
FIG. 10 is a front elevational view of a golf push trolley in a folded state;
FIG. 11 is a rear elevational view of FIG. 10;
FIG. 12 is a right side view of FIG. 10;
FIG. 13 is a left side view of FIG. 10;
FIG. 14 is a top plan view of FIG. 10;
FIG. 15 is a bottom plan view of FIG. 10;
FIG. 16 is a first perspective view of FIG. 10;
FIG. 17 is a second perspective view of FIG. 10; and,
FIG. 18 is a third perspective view of FIG. 10.

1 Claim, 18 Drawing Sheets



(56)

References Cited

U.S. PATENT DOCUMENTS

D648,913 S * 11/2011 Fung D34/15
D657,523 S 4/2012 Gong
D657,929 S * 4/2012 Gong D34/15
8,500,140 B1 * 8/2013 Liao B62B 7/10
280/38
2001/0033070 A1 * 10/2001 Reimers B62B 1/045
280/651
2009/0295130 A1 * 12/2009 Liao B62B 3/12
280/651
2011/0285111 A1 * 11/2011 Liao B62B 3/02
280/651

OTHER PUBLICATIONS

Youtube. Caddiester X1-EP Golf Cart Introduction, Mar. 31, 2017 . . . <https://www.youtube.com/watch?v=UFvS8V9svas>.
Shown throughout video. (Year: 2017).*

* cited by examiner

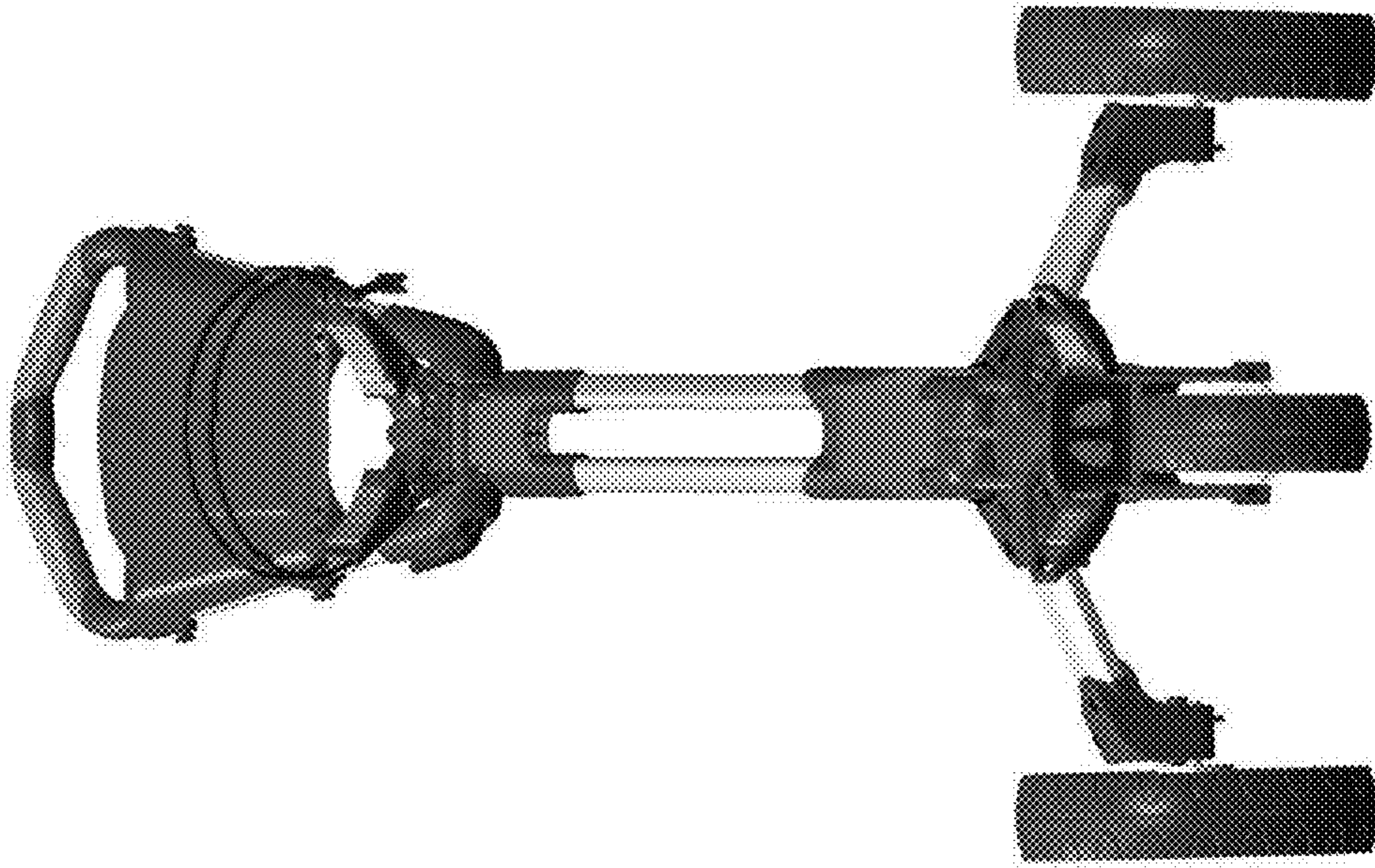


Fig. 1

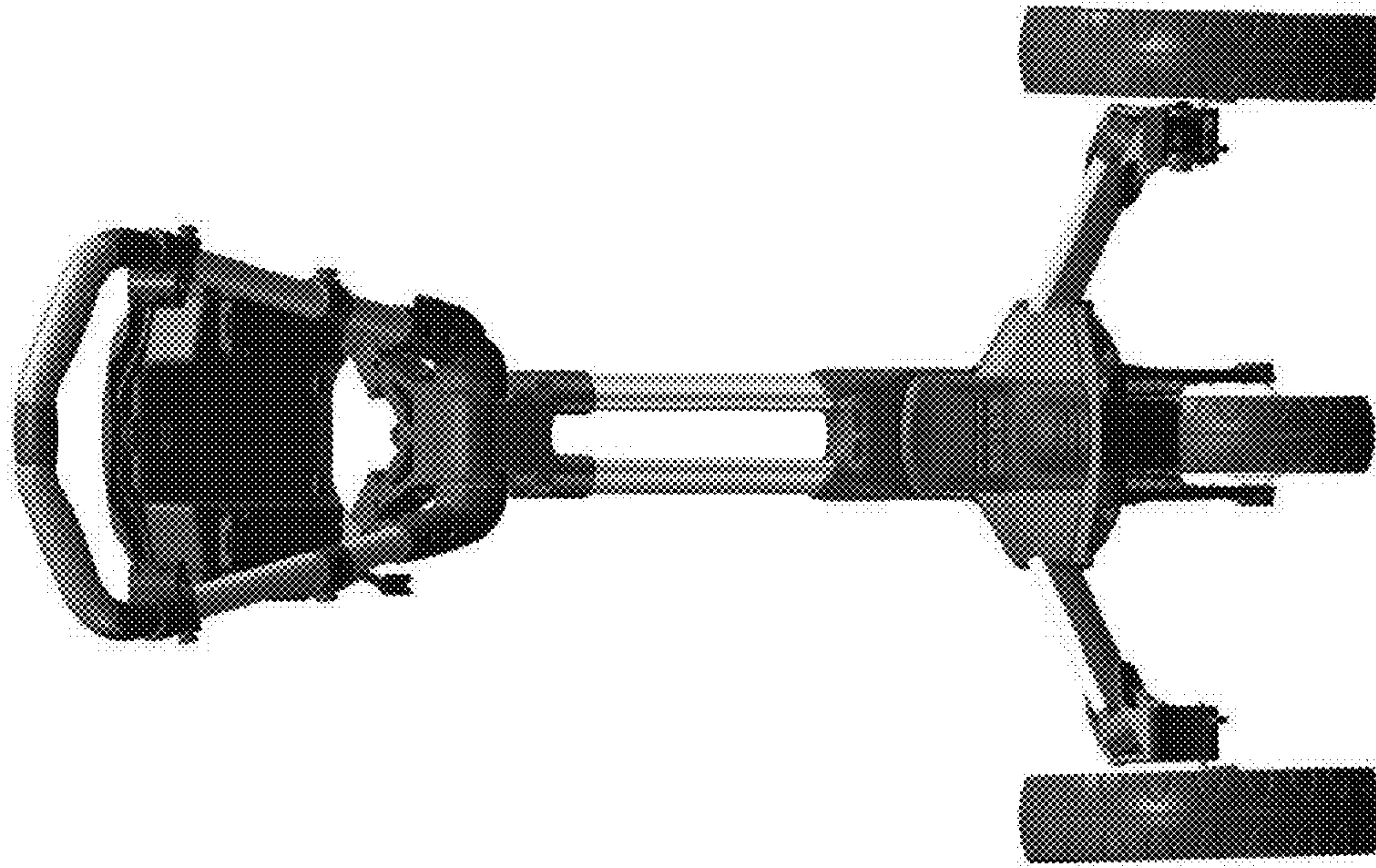


Fig. 2



Fig. 3



Fig. 4

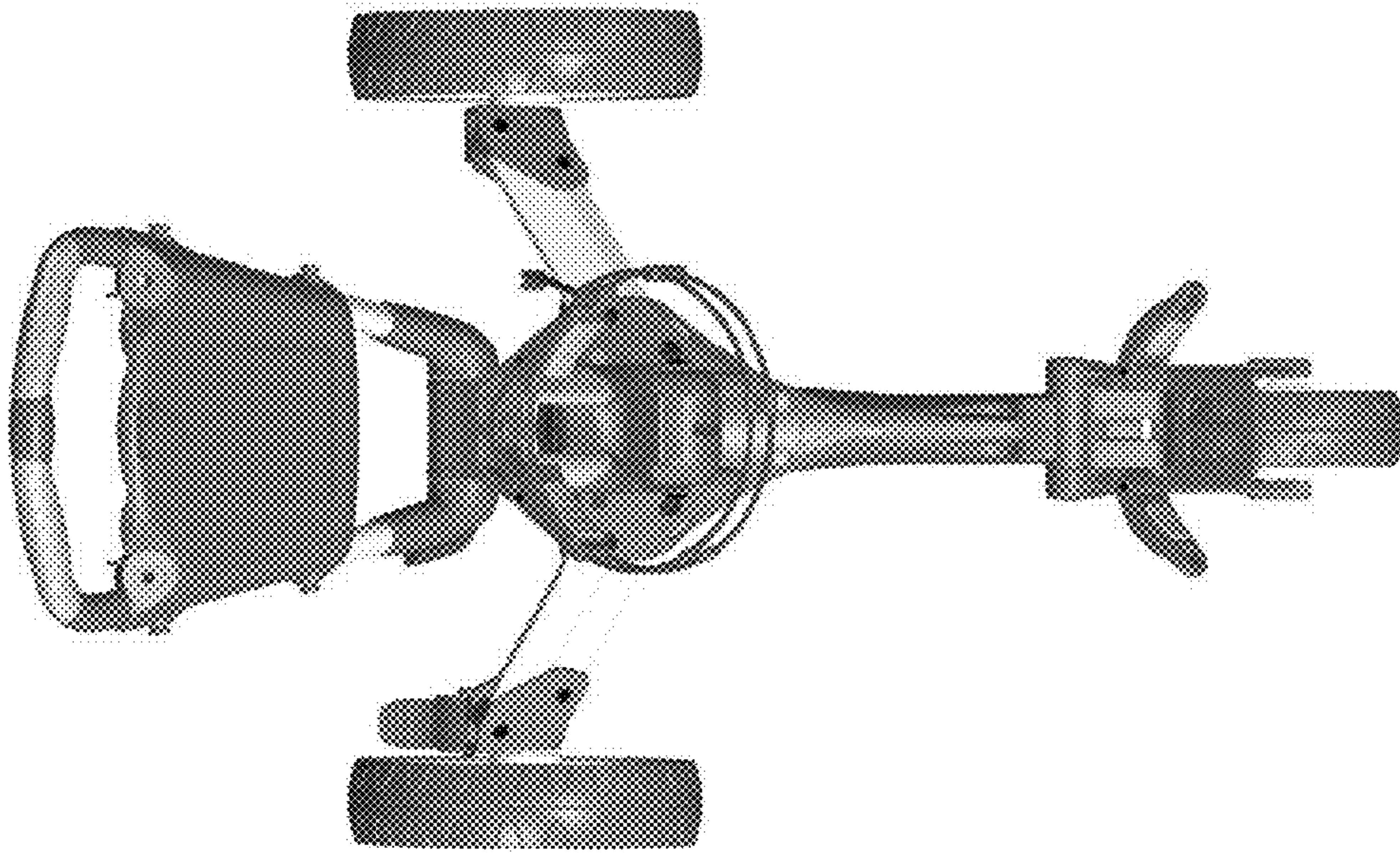


Fig. 5

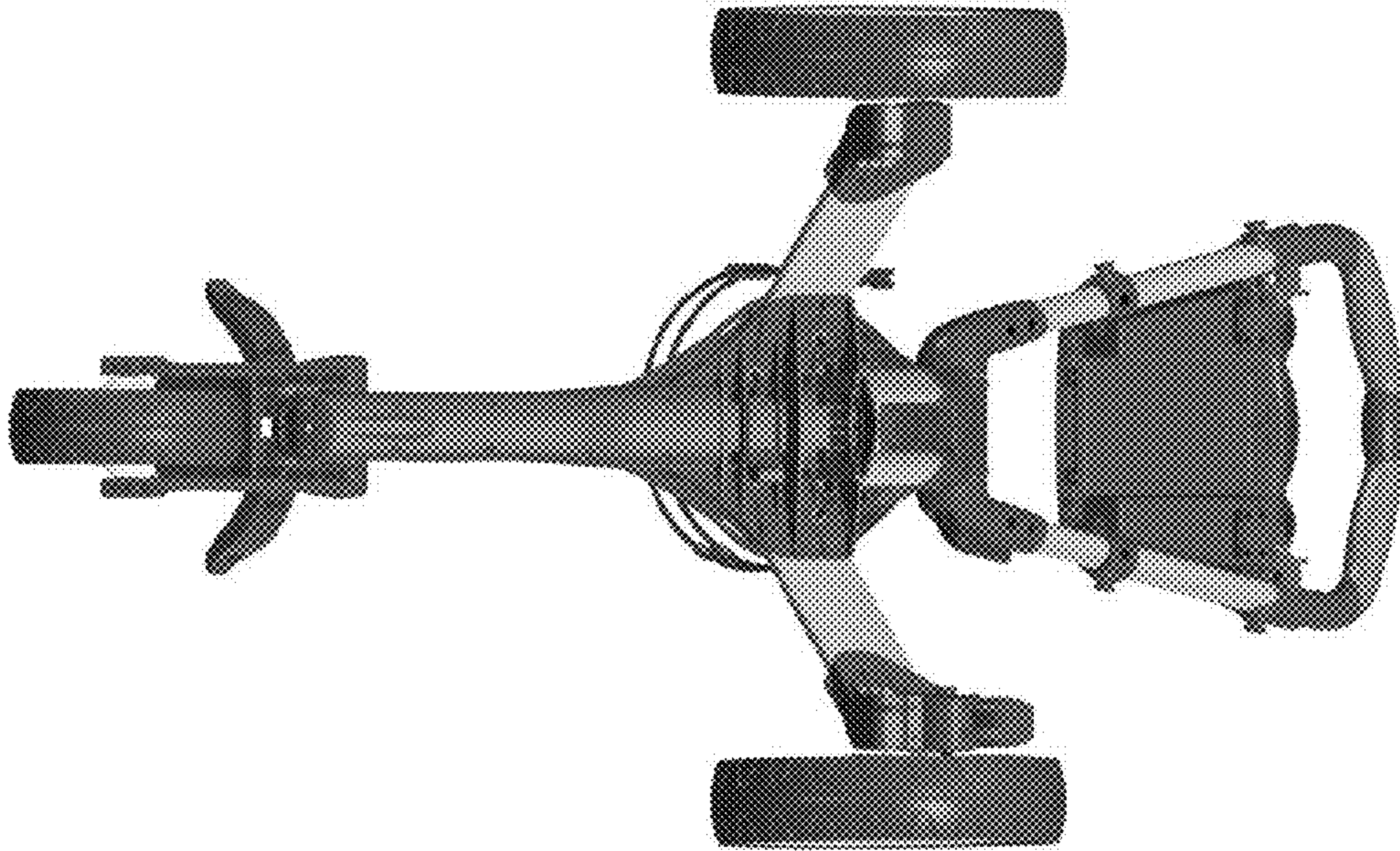


Fig. 6



Fig. 7



Fig. 8

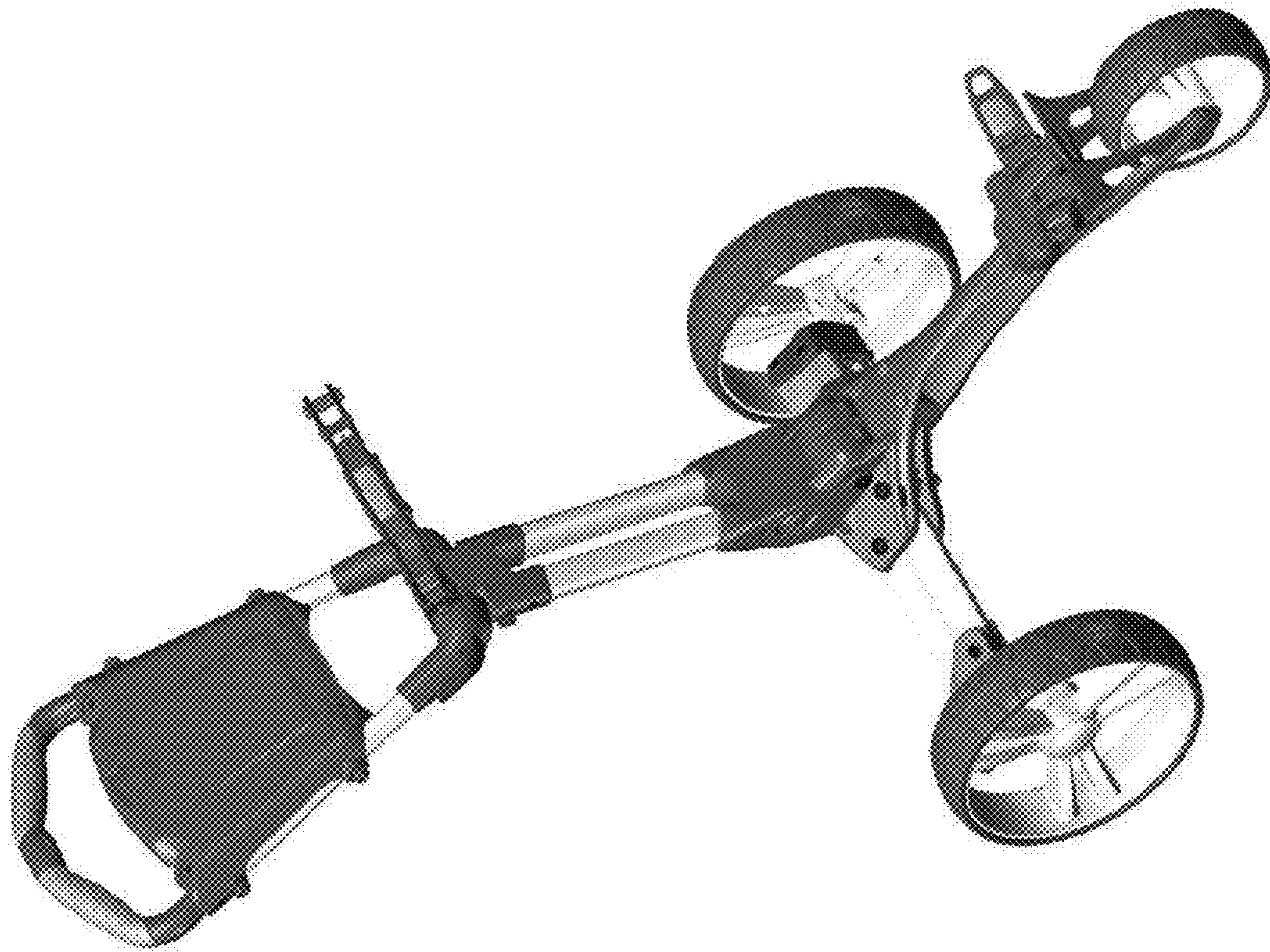


Fig. 9

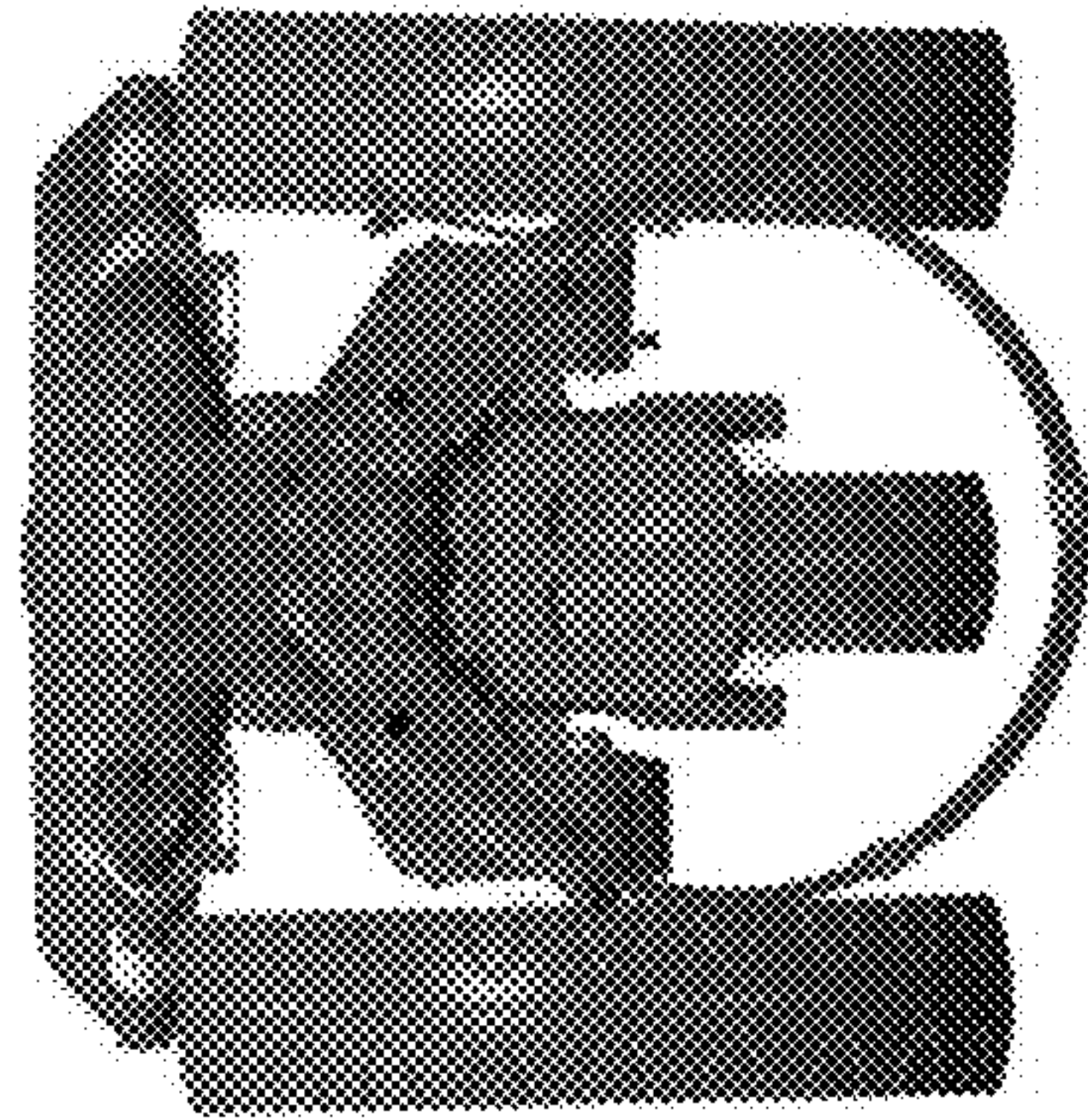


Fig. 10

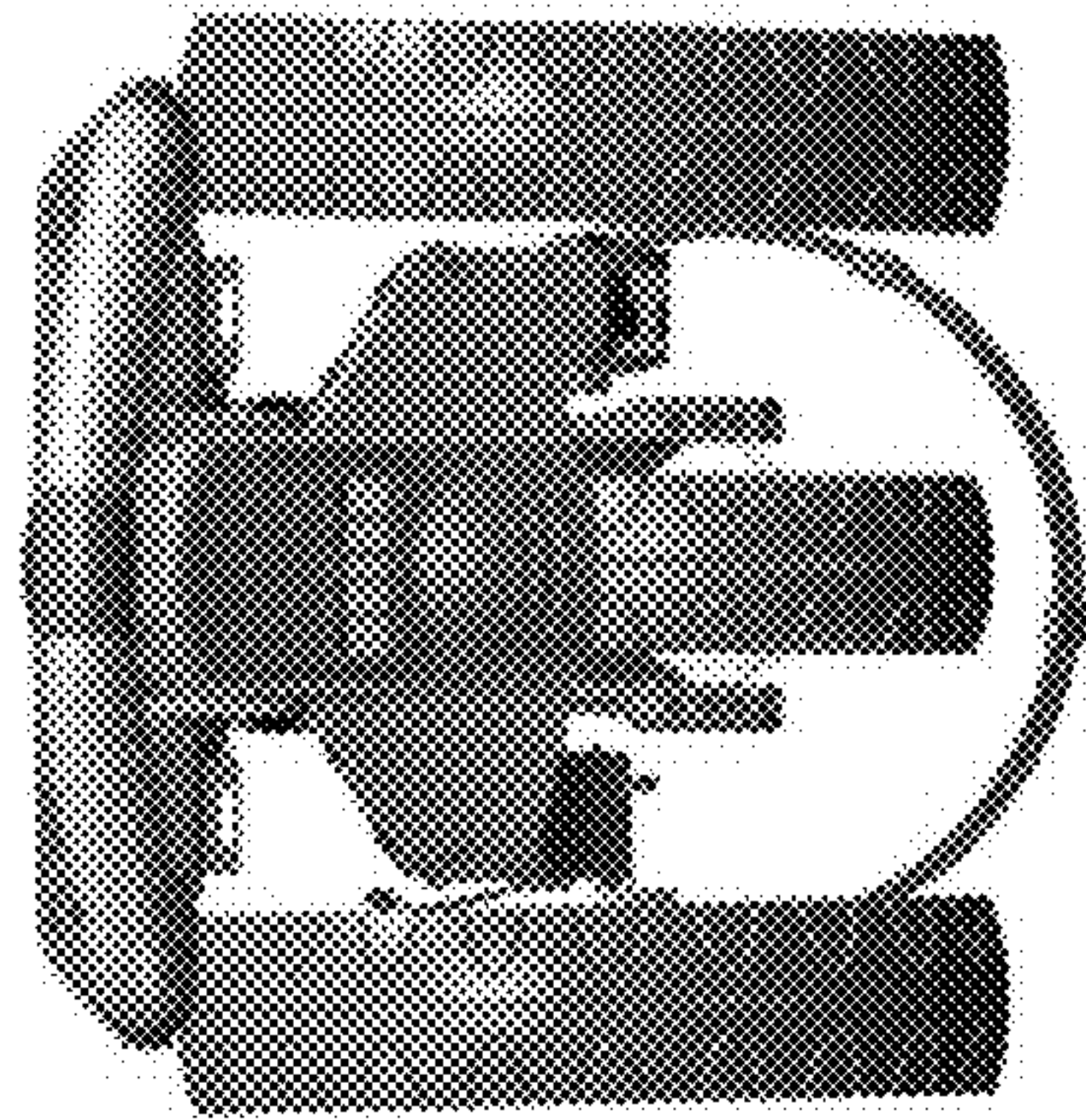


Fig. 11

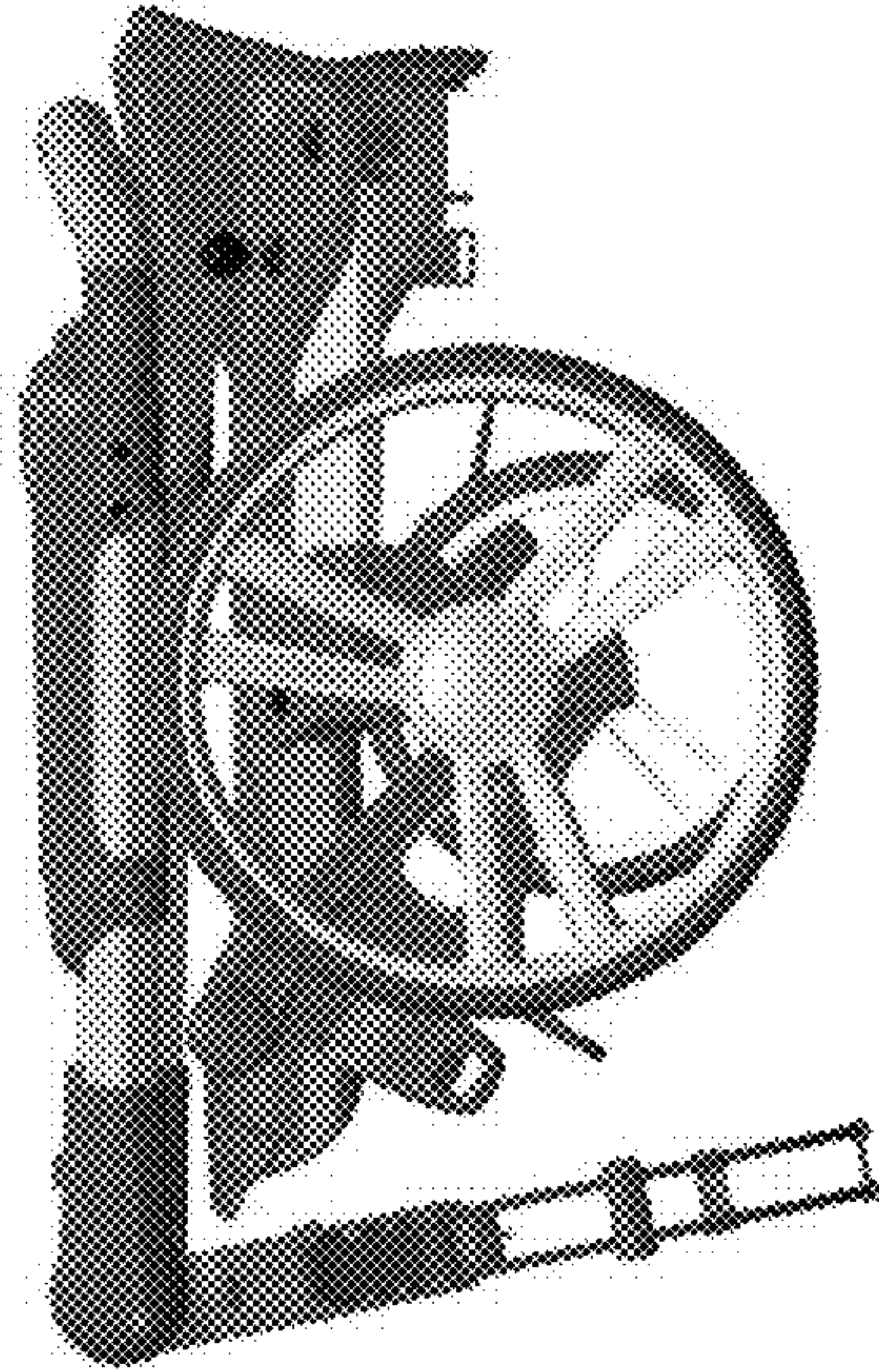


Fig. 12

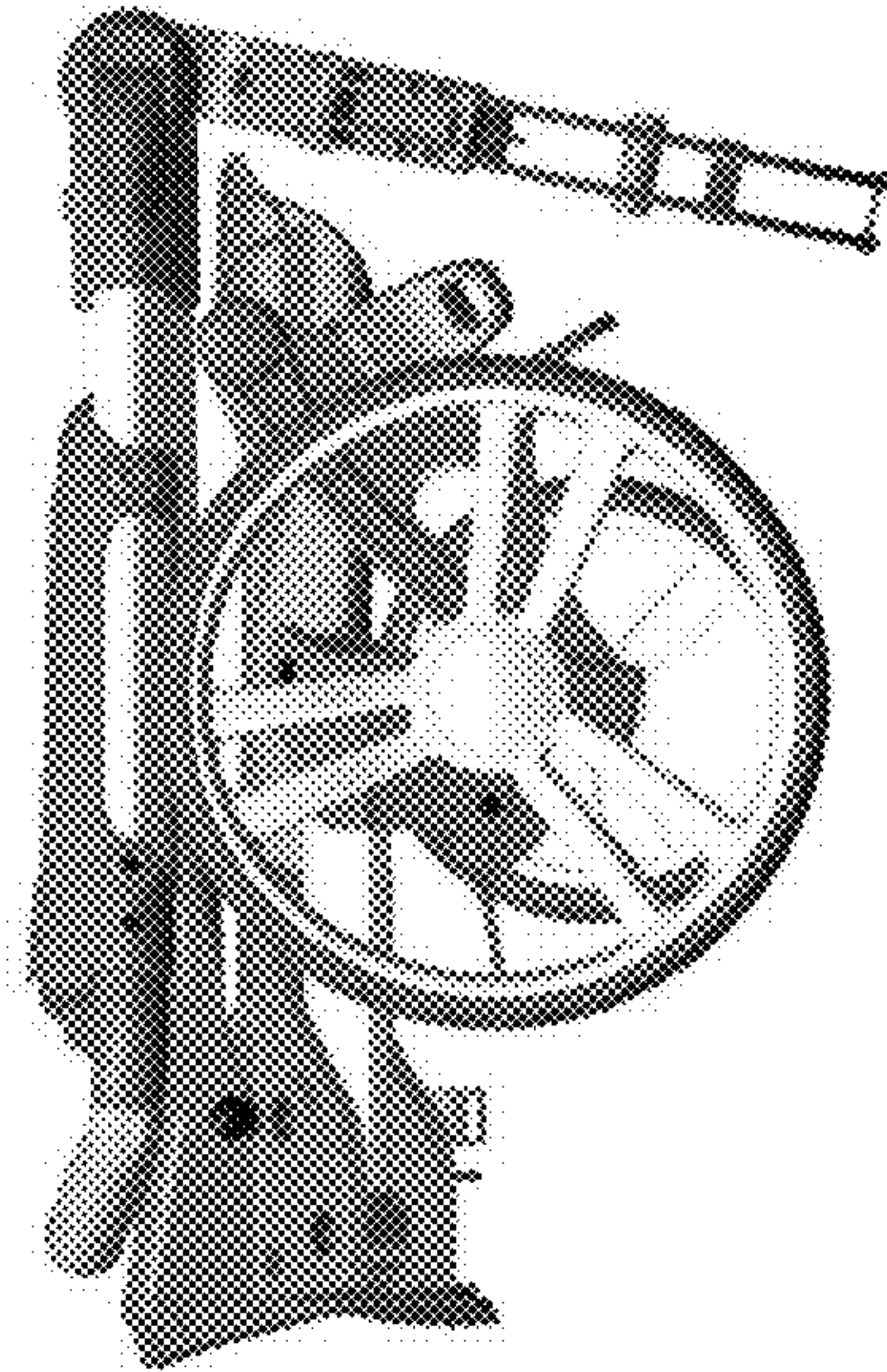


Fig. 13

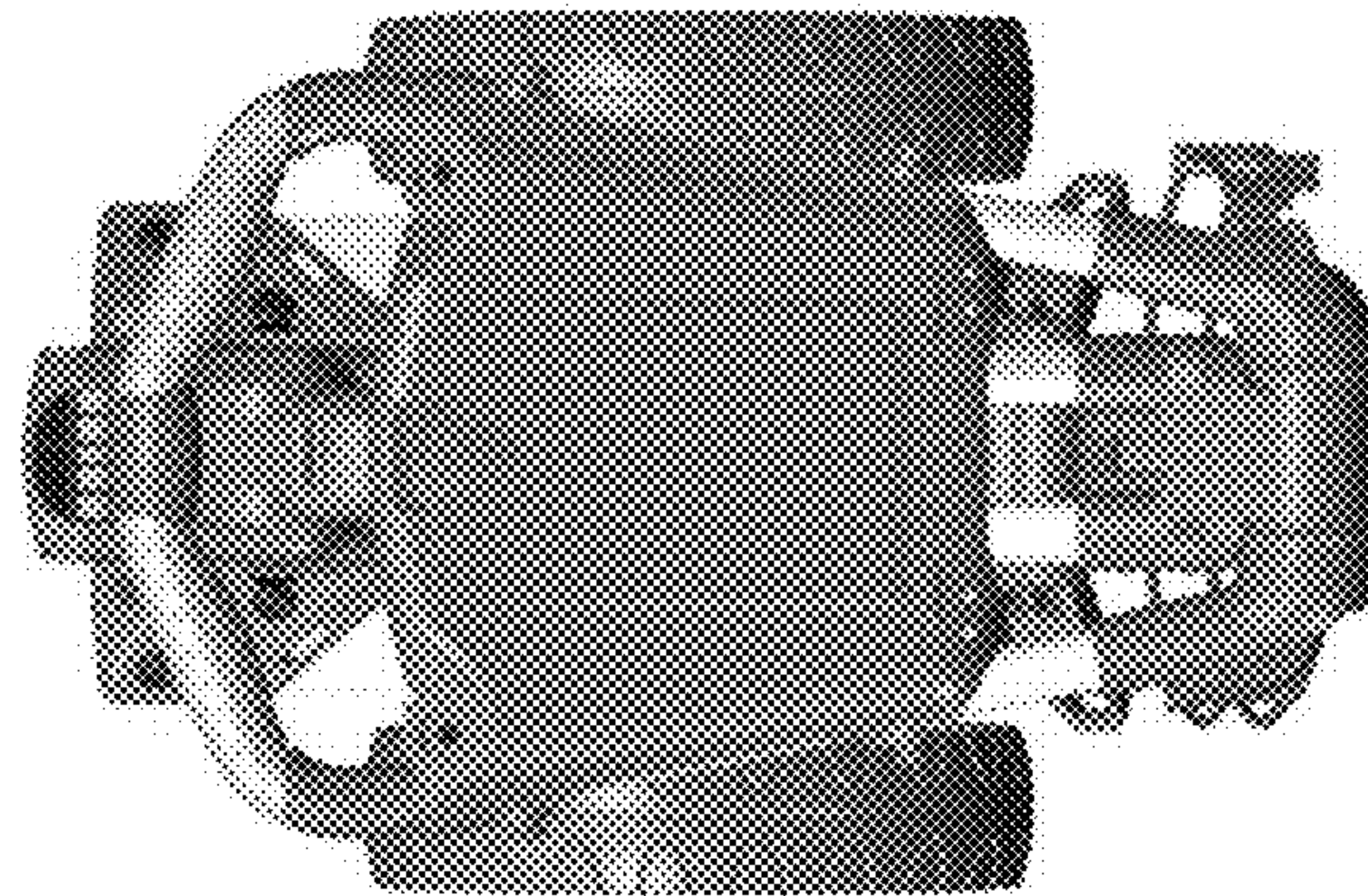


Fig. 14

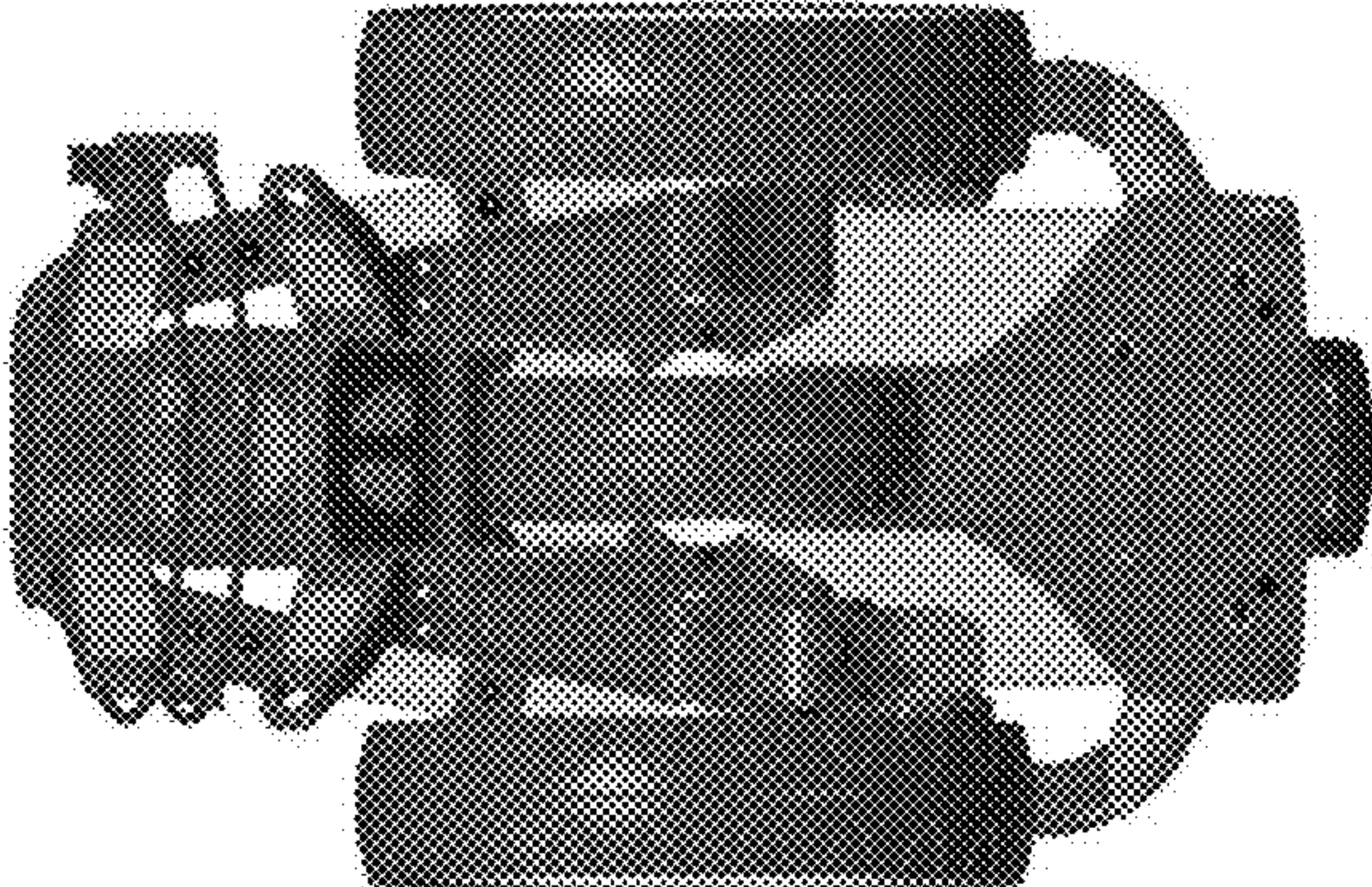


Fig. 15

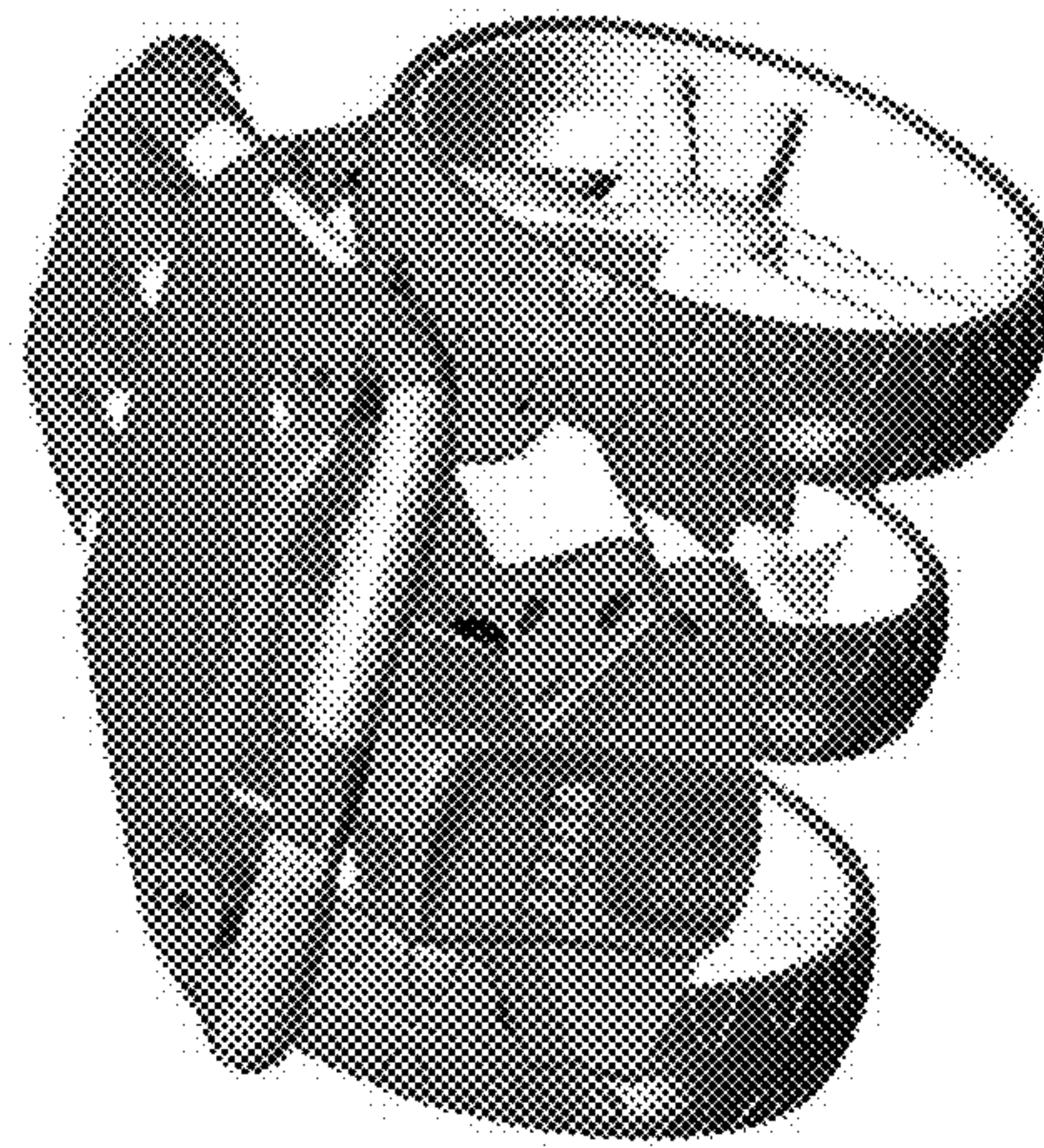


Fig. 16

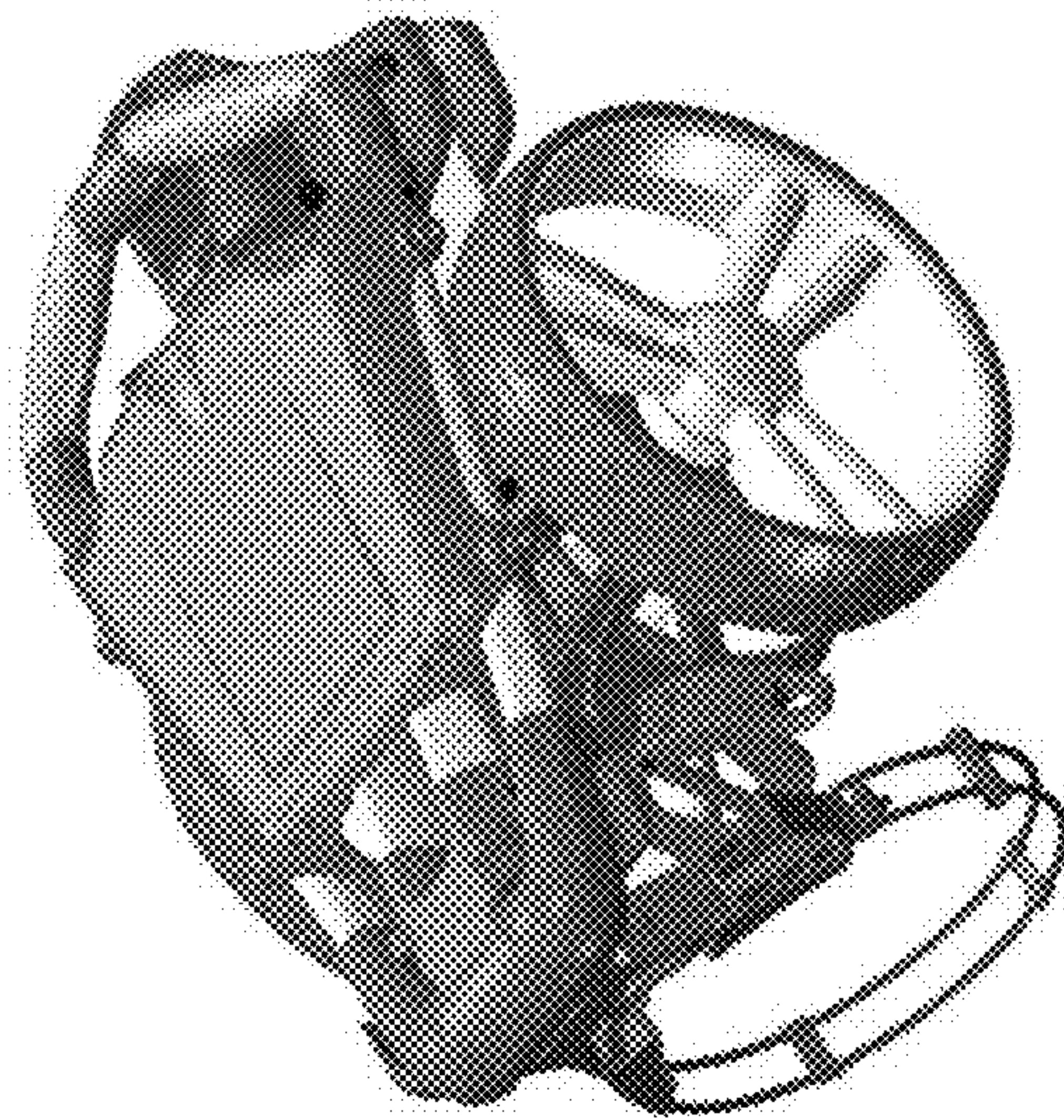


Fig. 17

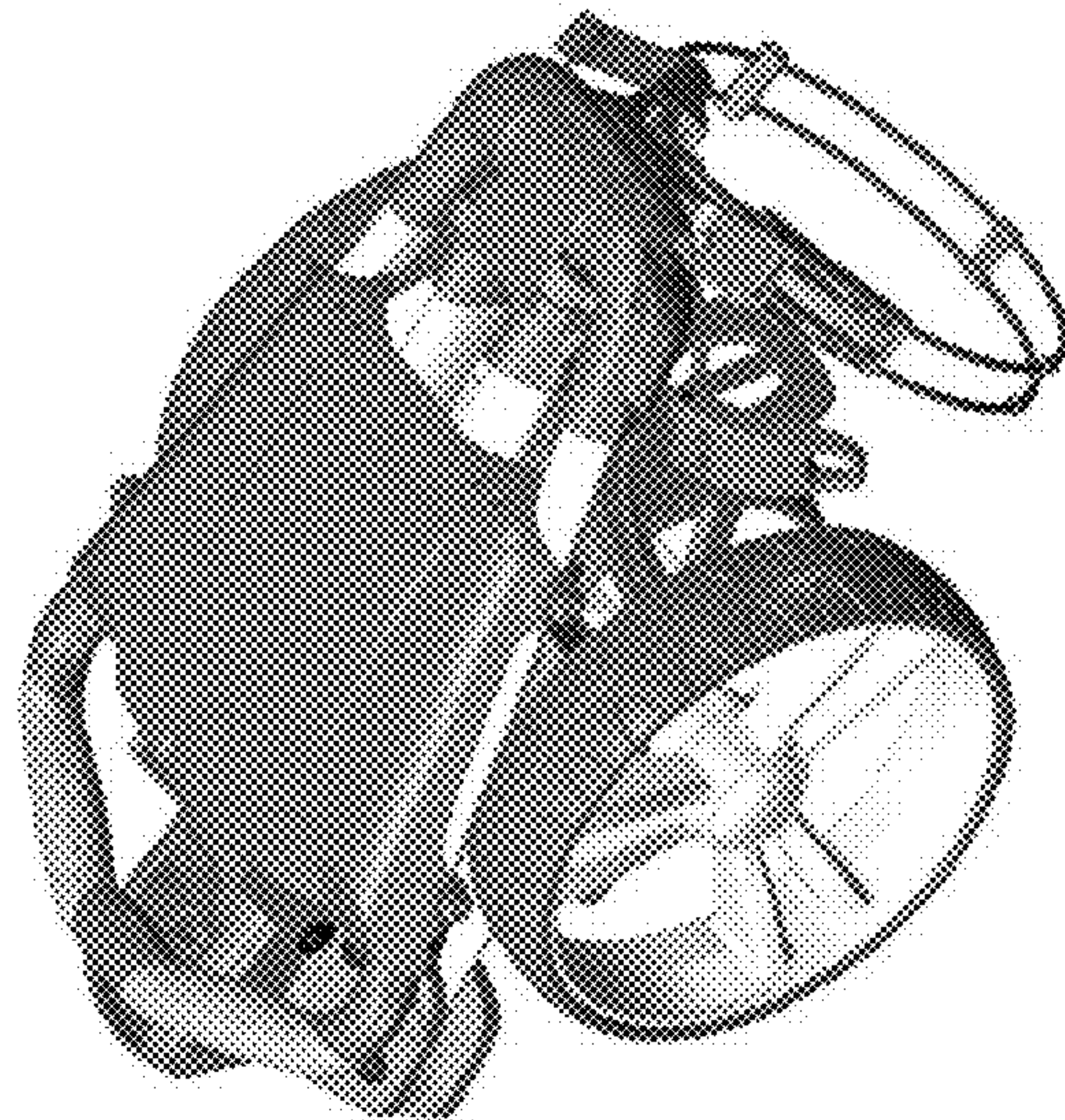


Fig. 18