



US00D812332S

(12) **United States Design Patent**
Yoon et al.

(10) **Patent No.:** **US D812,332 S**
(45) **Date of Patent:** **** Mar. 6, 2018**

(54) **VACUUM CLEANER**

(71) Applicant: **Samsung Electronics Co., Ltd.**,
Suwon-si (KR)

(72) Inventors: **Sanghun Yoon**, Seoul (KR);
Kyoungmin Lee, Goyang-si (KR);
Cheolyeon Jo, Seoul (KR); **Seokwoo Kim**, Seoul (KR)

(73) Assignee: **SAMSUNG ELECTRONICS CO., LTD.**, Suwon-si (KR)

(**) Term: **15 Years**

(21) Appl. No.: **29/548,283**

(22) Filed: **Dec. 11, 2015**

(30) **Foreign Application Priority Data**

Jun. 11, 2015 (KR) 30-2015-0029321

(51) **LOC (11) Cl.** **15-05**

(52) **U.S. Cl.**
USPC **D32/32**

(58) **Field of Classification Search**
USPC D8/396; D32/31-33
CPC F16M 13/02; A24F 19/092; F16L 27/12;
A47L 9/242; A47L 9/02; A47L 5/362;
A47L 5/28; A47L 5/34; A47L 5/30; A47G
25/66; E04H 4/1654

See application file for complete search history.

(56) **References Cited**

U.S. PATENT DOCUMENTS

D381,780 S * 7/1997 Summers D32/33
D473,687 S * 4/2003 Kaffenberger D32/33
D649,725 S * 11/2011 Fjellman D32/32
D655,468 S * 3/2012 Karsan D32/33
D706,504 S * 6/2014 Park D32/33
D738,583 S * 9/2015 Gidwell D32/25

D762,031 S * 7/2016 Niedzwecki D32/32
D770,109 S * 10/2016 Chu, Jr. D32/32
D770,711 S * 11/2016 Okada D32/32
D779,751 S * 2/2017 Chu D32/32
D779,752 S * 2/2017 Johnson D32/32
D781,014 S * 3/2017 Wu D32/32
D781,514 S * 3/2017 Perin D32/32

FOREIGN PATENT DOCUMENTS

CN 3174177 1/2001
EM 002264424-0007 7/2013
EM 002495978-0003 7/2014

* cited by examiner

Primary Examiner — Ruth McInroy

(74) *Attorney, Agent, or Firm* — McAndrews Held & Malloy, Ltd.

(57) **CLAIM**

The ornamental design for a vacuum cleaner, as shown and described.

DESCRIPTION

FIG. 1 is a front perspective view of a vacuum cleaner showing our new design;
FIG. 2 is a front elevation view thereof;
FIG. 3 is a rear elevation view thereof;
FIG. 4 is a left-side elevation view thereof;
FIG. 5 is a right-side elevation view thereof;
FIG. 6 is a top plan view thereof;
FIG. 7 is a bottom plan view thereof;
FIG. 8 is a rear perspective view thereof; and,
FIG. 9 is an enlarged view of the encircled region in FIG. 8. The details shown dashed broken lines in the drawings form no part of the claimed design.
The dot-dot-dash broken lines in the drawings encircle portions of the claimed design that are illustrated in enlargements and form no part of the claimed design.

1 Claim, 7 Drawing Sheets

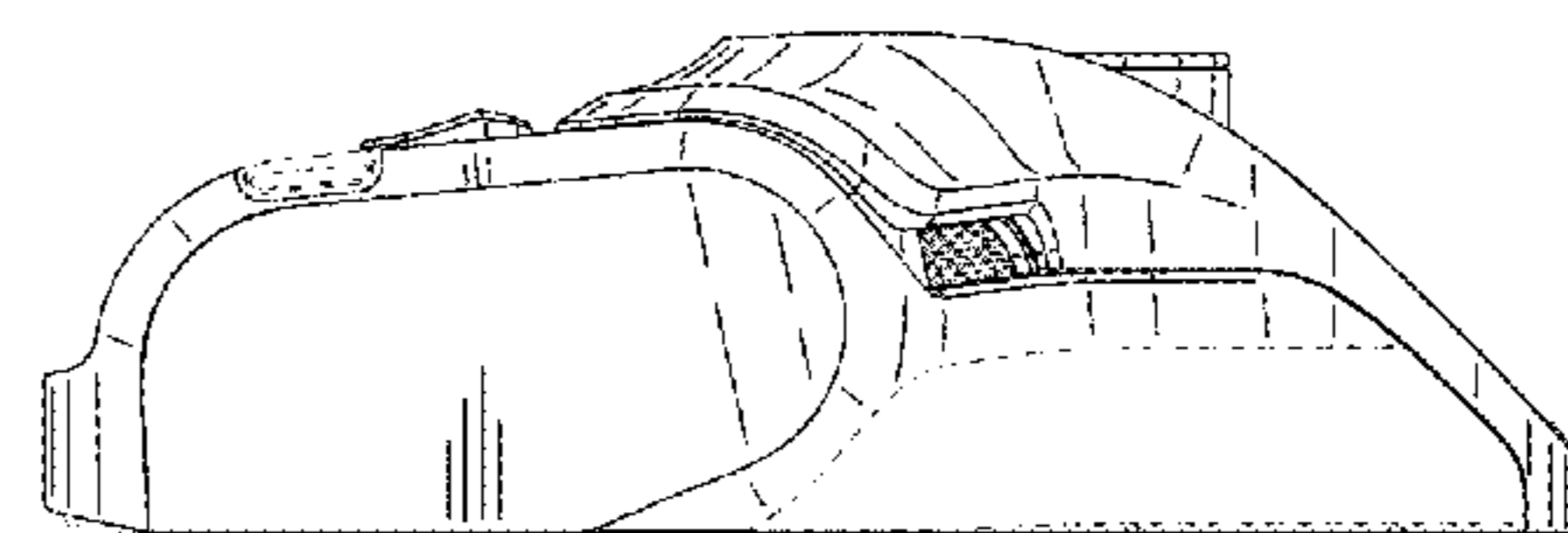
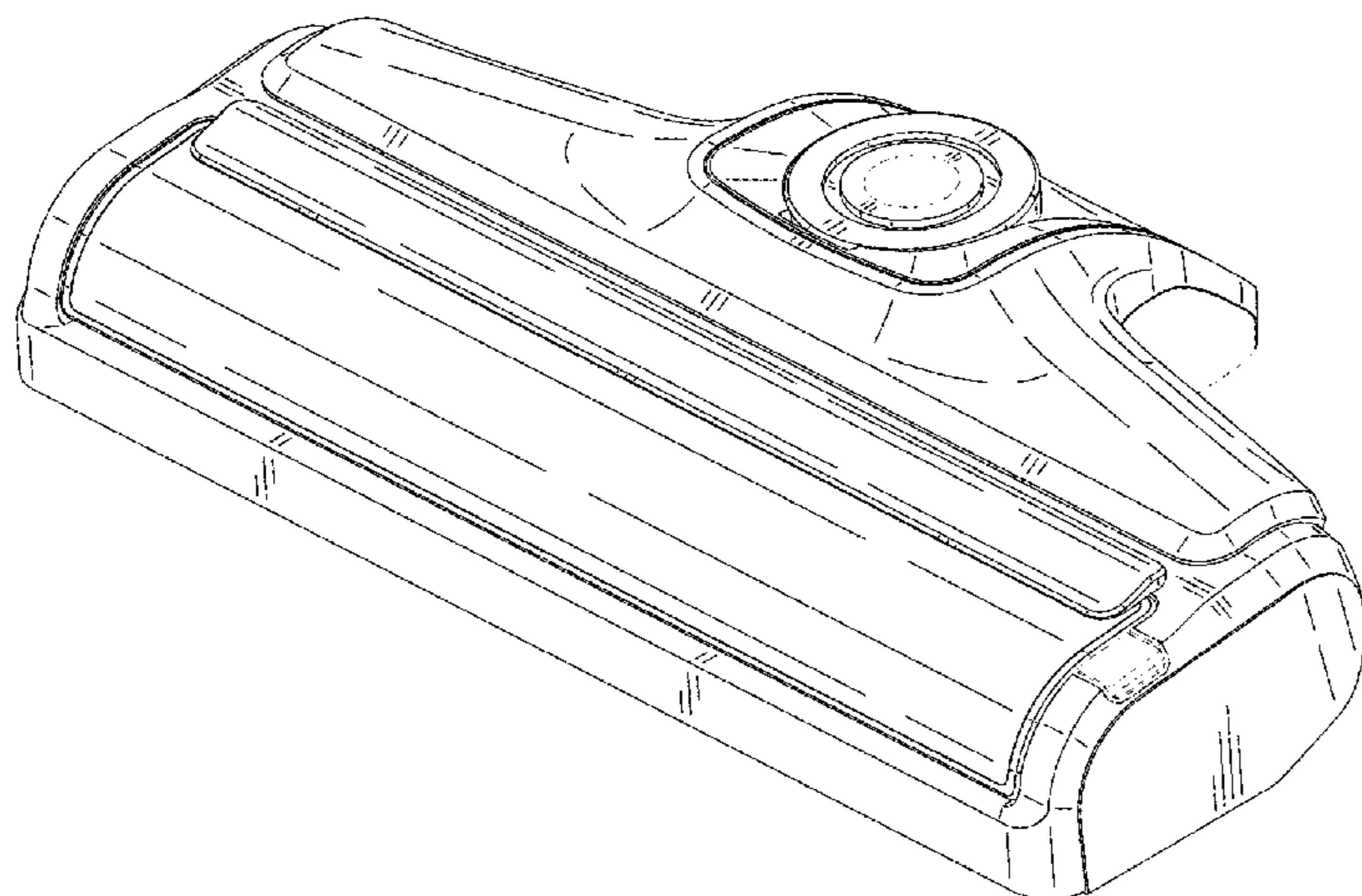


FIG. 1

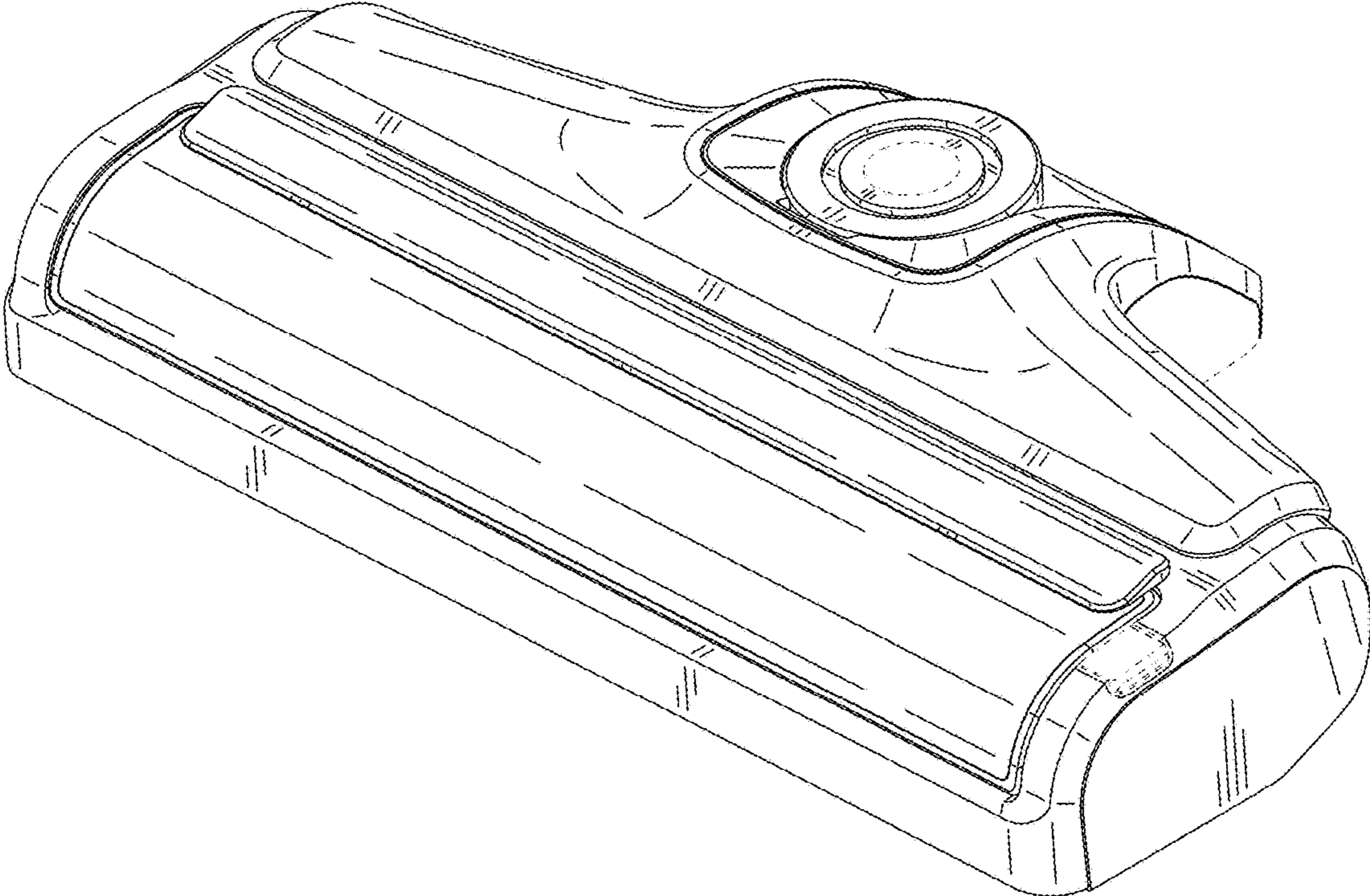


FIG. 2

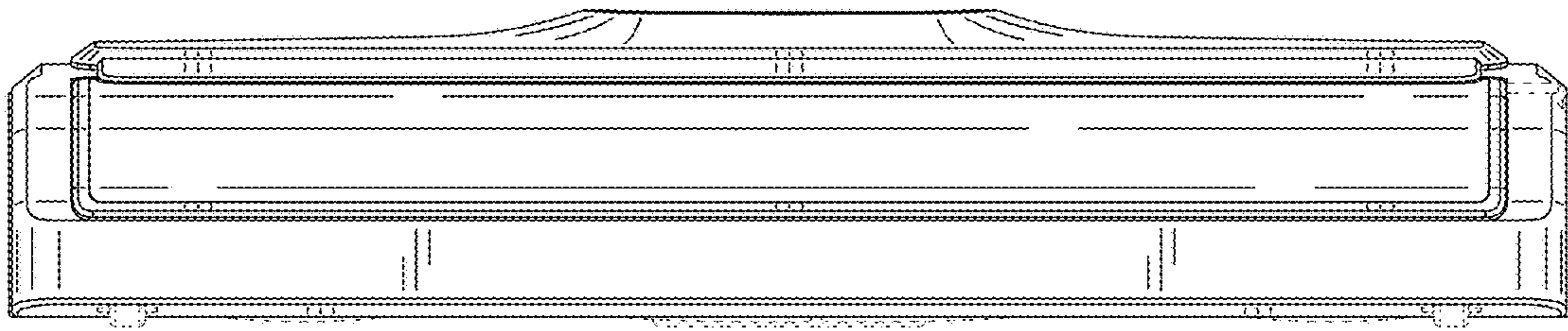


FIG. 3

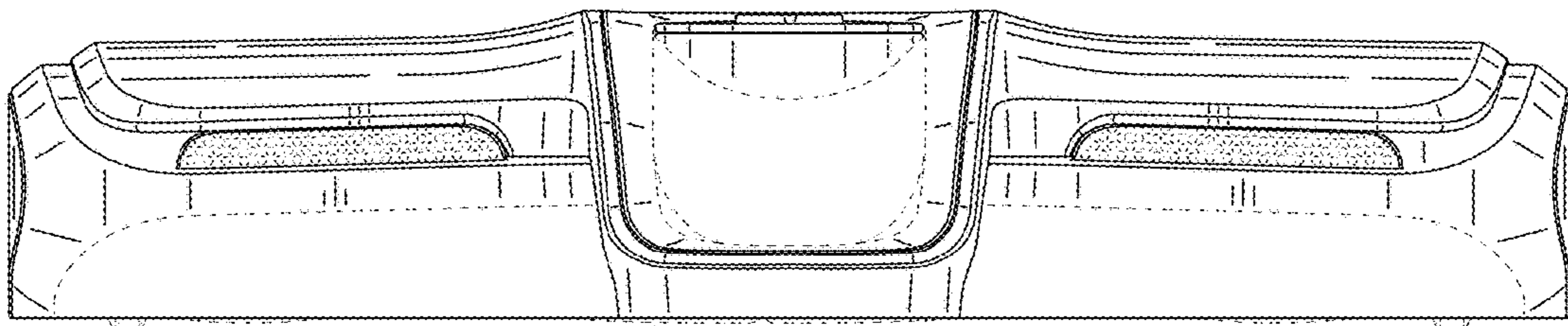


FIG. 4

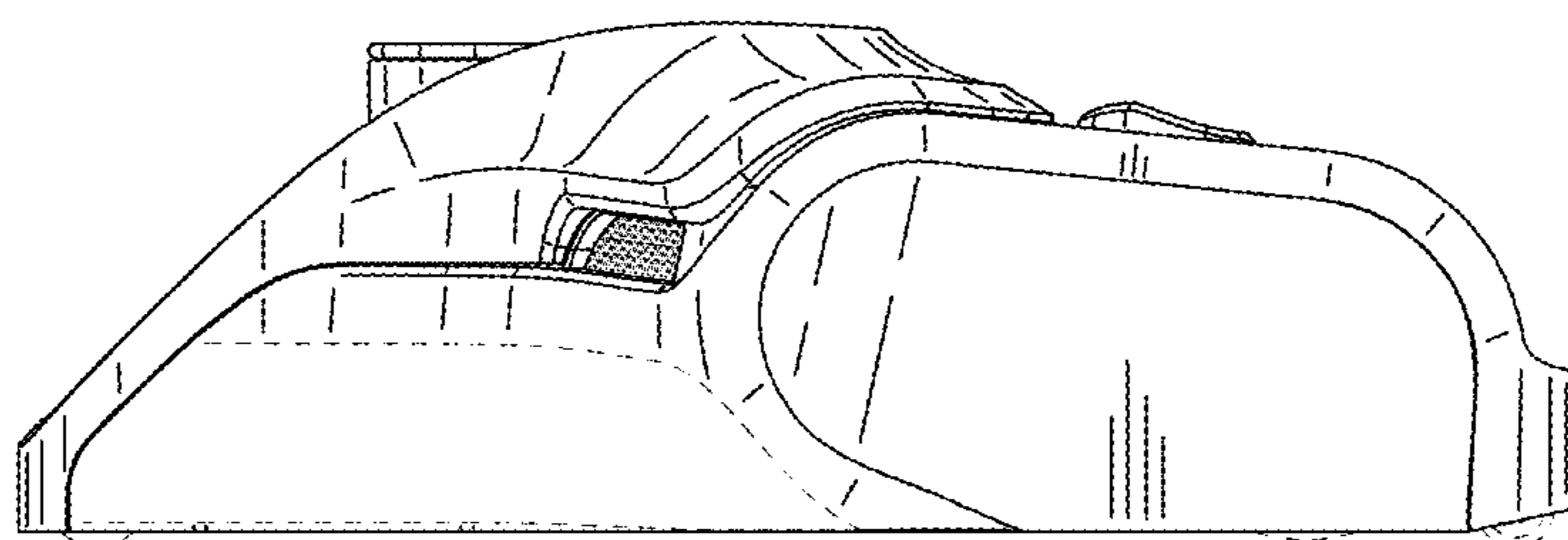


FIG. 5

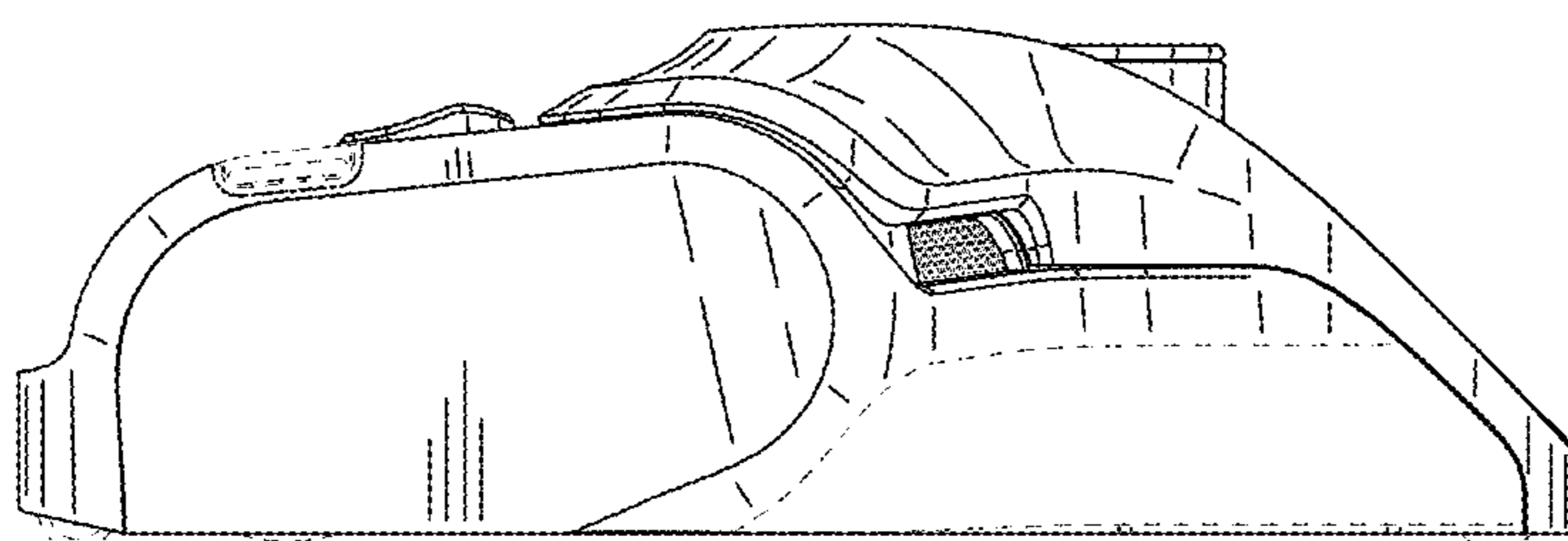


FIG. 6

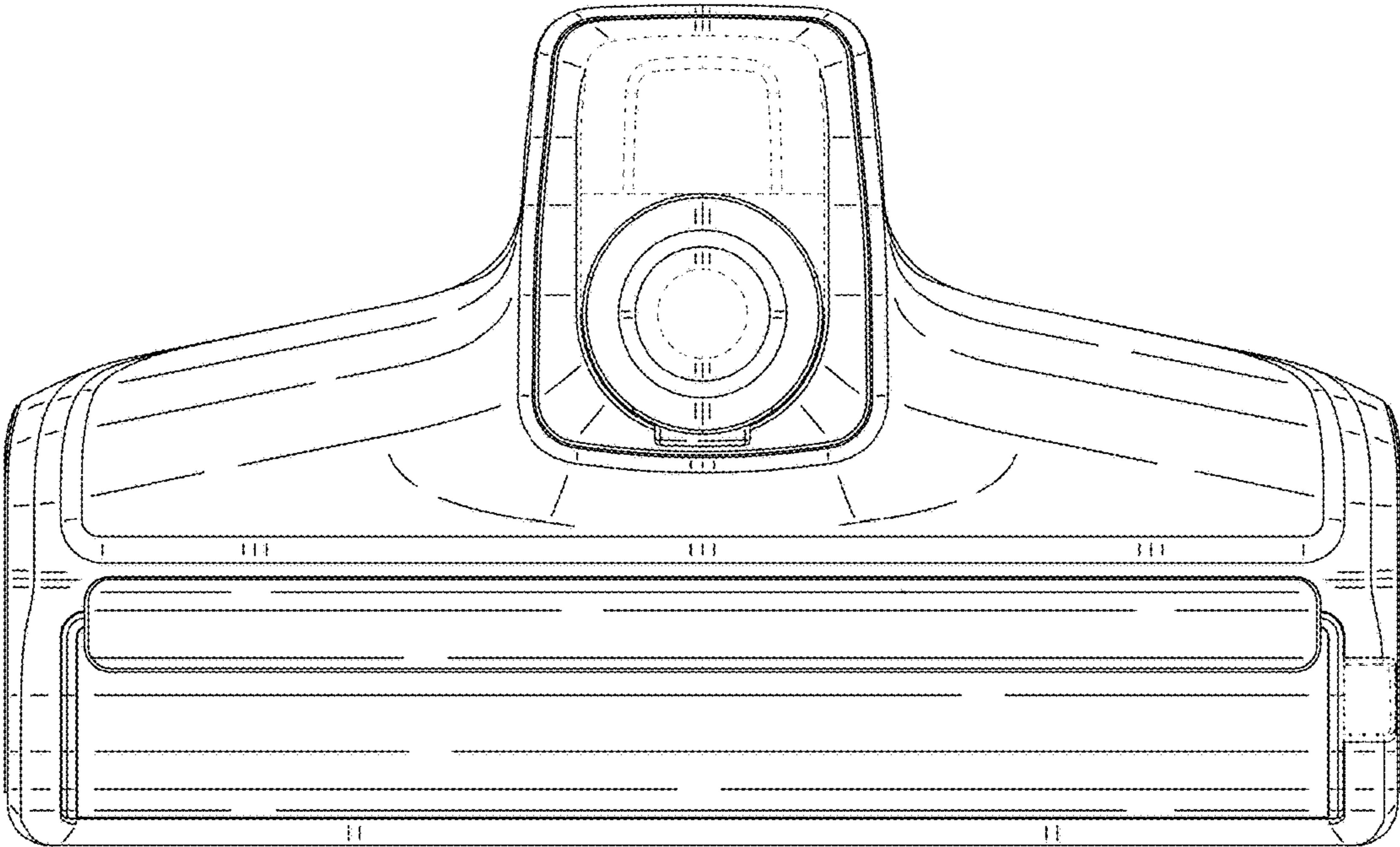


FIG. 7

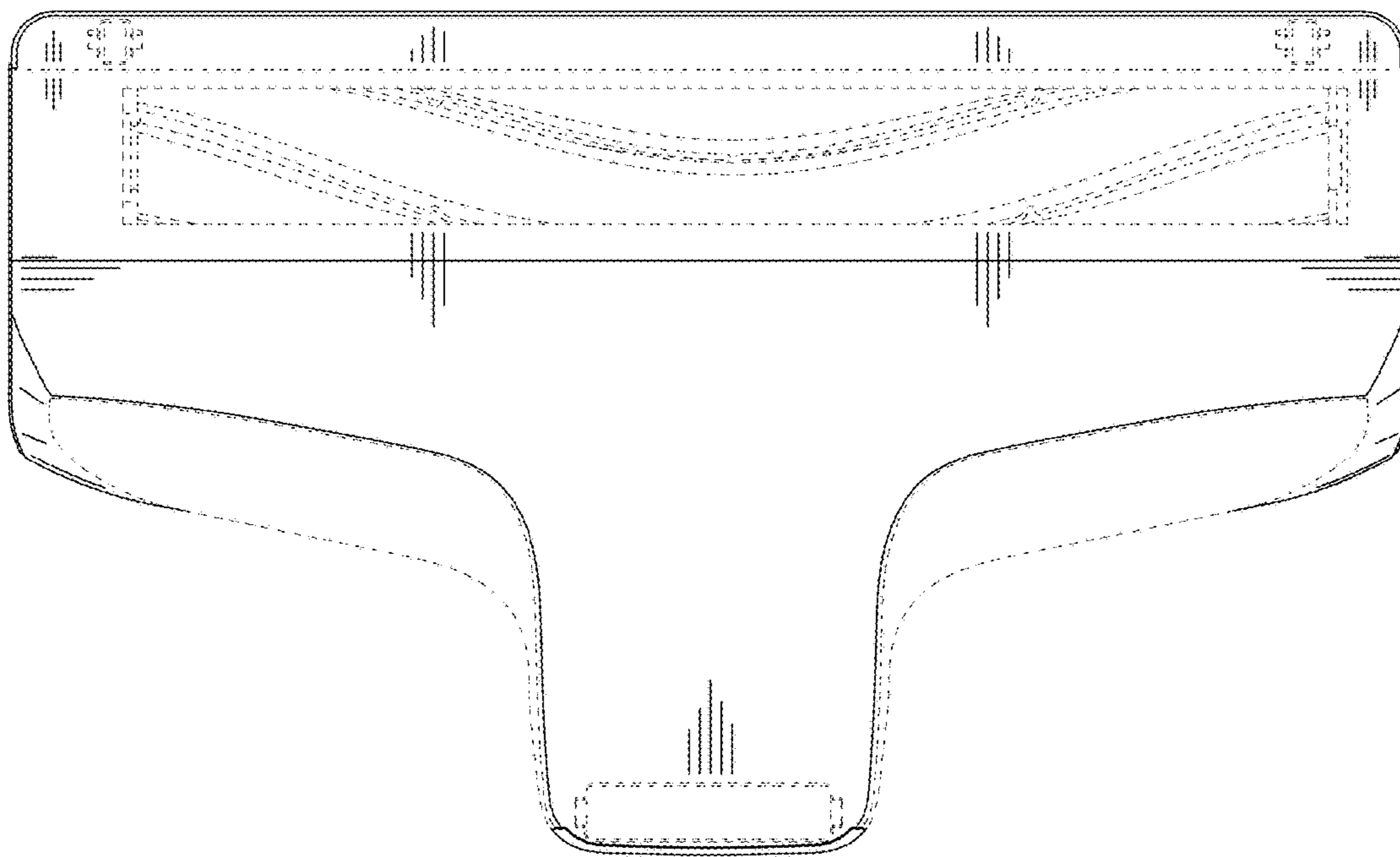


FIG. 8

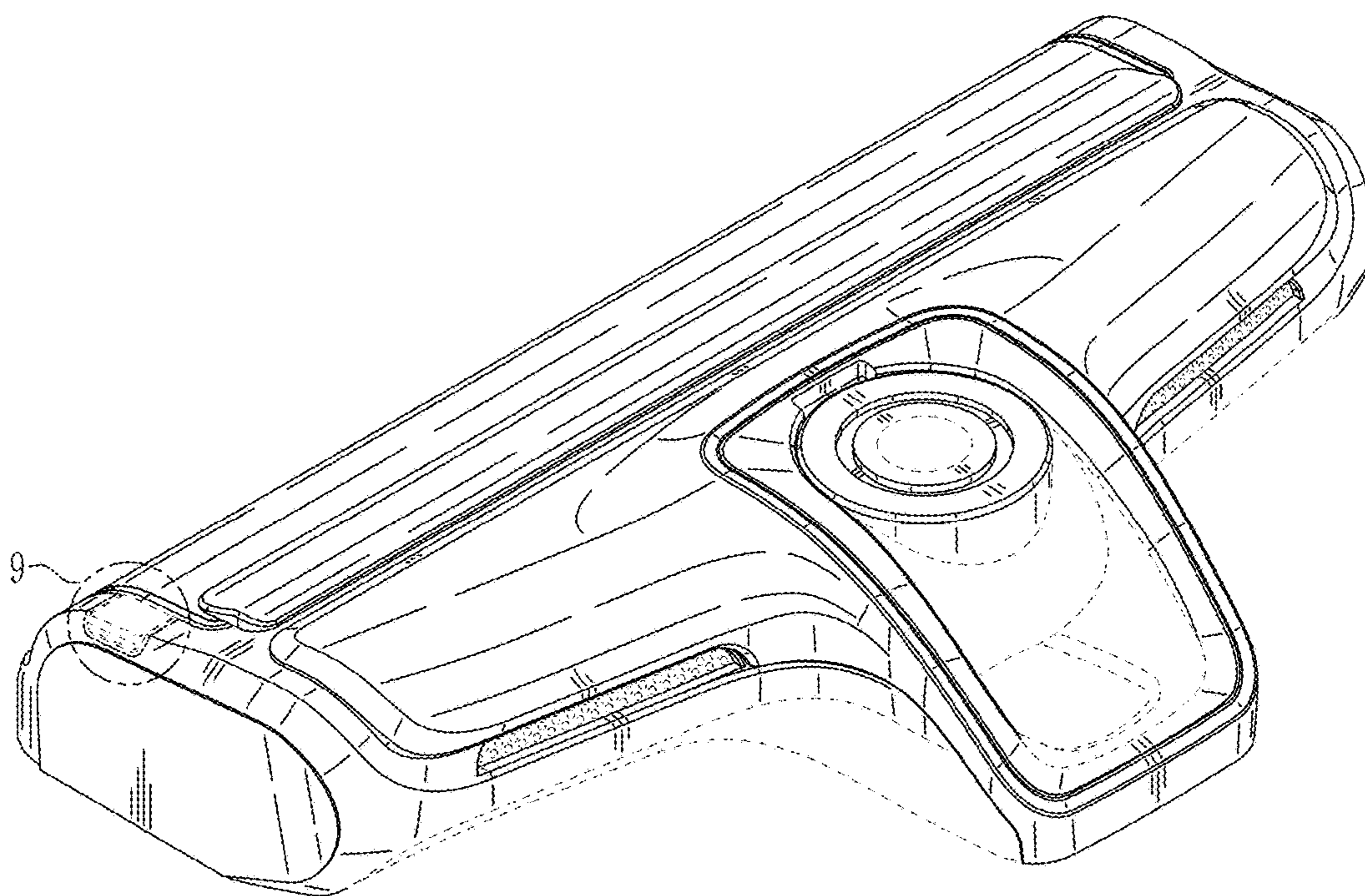


FIG. 9

