



US00D812330S

(12) **United States Design Patent**
Kim et al.

(10) **Patent No.:** **US D812,330 S**
(45) **Date of Patent:** **** Mar. 6, 2018**

(54) **WASHING MACHINE**
(71) Applicant: **Samsung Electronics Co., Ltd.**,
Suwon-si (KR)
(72) Inventors: **Yeonsu Kim**, Seoul (KR); **Yoonjong**
Kang, Seoul (KR)
(73) Assignee: **Samsung Electronics Co., Ltd.**,
Suwon-si (KR)
(**) Term: **15 Years**

D648,907 S * 11/2011 Jeon D32/6
D711,605 S * 8/2014 Jo D32/25
D732,763 S * 6/2015 Hwang D32/6
D772,500 S * 11/2016 Park D32/6
D773,754 S * 12/2016 Choi D32/6
D778,014 S * 1/2017 Hwang D32/28
D778,516 S * 2/2017 Hwang D32/28
D785,256 S * 4/2017 Yoon D32/25
D785,257 S * 4/2017 Kim D32/25
D785,881 S * 5/2017 Yoon D32/25
D785,882 S * 5/2017 Kim D32/25
D794,266 S * 8/2017 Yoon D32/6
D794,267 S * 8/2017 Kang D32/6

* cited by examiner

(21) Appl. No.: **29/597,831**
(22) Filed: **Mar. 21, 2017**

Primary Examiner — Cynthia Ramirez
Assistant Examiner — Laura Yu
(74) *Attorney, Agent, or Firm* — NSIP Law

Related U.S. Application Data

(63) Continuation of application No. 29/550,518, filed on
Jan. 5, 2016, now Pat. No. Des. 785,882.

(57) **CLAIM**

We claim the ornamental design for a washing machine, as
shown and described.

(30) **Foreign Application Priority Data**

Jul. 17, 2015 (KR) 30-2015-0036139

DESCRIPTION

(51) **LOC (11) Cl.** **15-05**

(52) **U.S. Cl.**
USPC **D32/28**

(58) **Field of Classification Search**
USPC D32/28, 6, 25, 29, 29.1, 8
CPC D06F 39/045; D06F 29/00; D06F 29/005
See application file for complete search history.

FIG. 1 is a front perspective view of a washing machine
showing our new design;
FIG. 2 is a front view thereof;
FIG. 3 is a rear view thereof;
FIG. 4 is a left-side view thereof;
FIG. 5 is a right-side view thereof;
FIG. 6 is a top view thereof; and,
FIG. 7 is a bottom view thereof.

(56) **References Cited**

U.S. PATENT DOCUMENTS

D489,496 S * 5/2004 Sneddon D32/6
D554,307 S * 10/2007 Kim D32/6

The even broken lines in the figures depict portions of the
article and form no part of the claimed design. The dot-dash
broken lines in the figures represent the bounds of the design
claim and form no part of the claimed design.

1 Claim, 7 Drawing Sheets

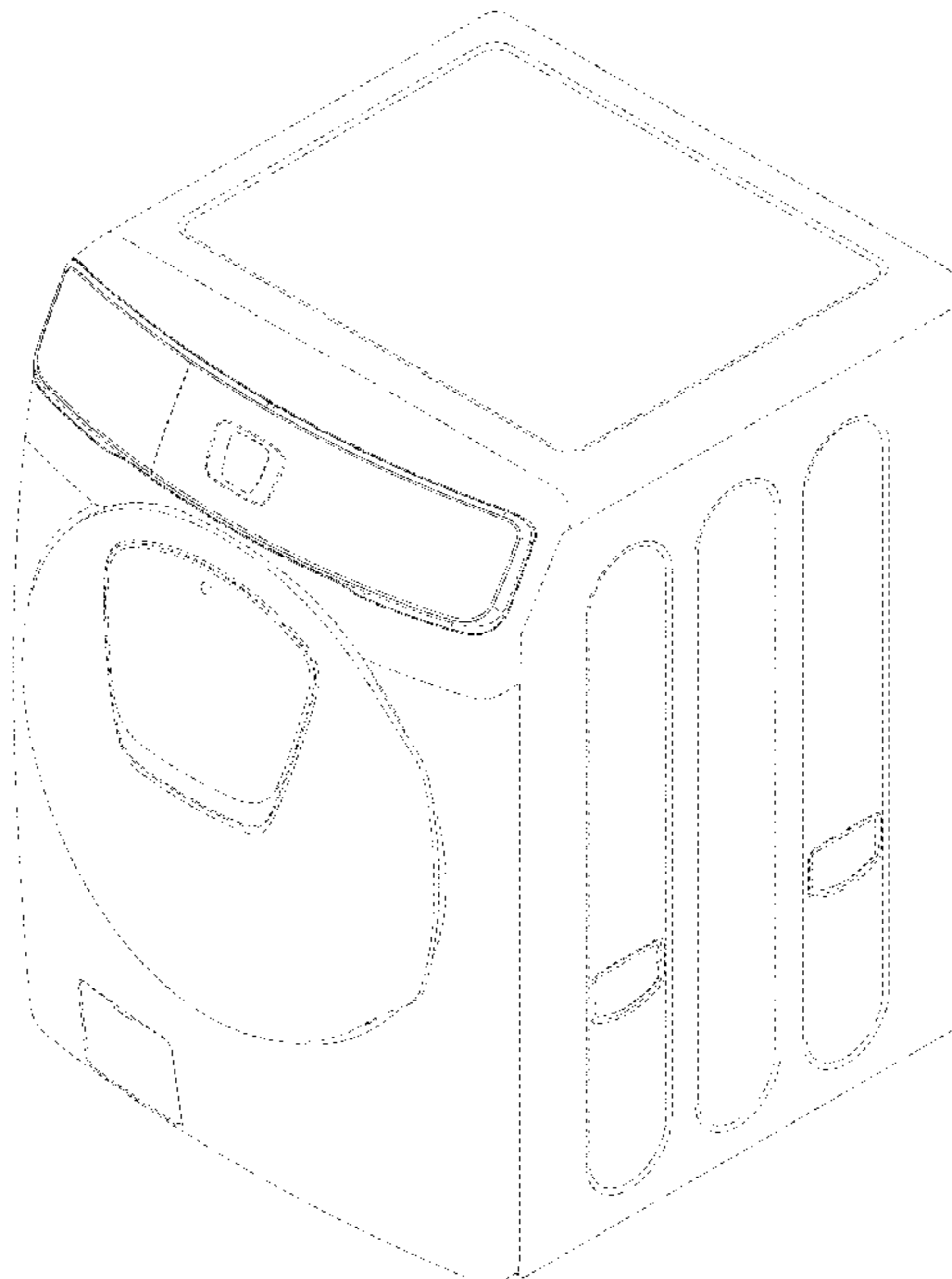


FIG. 1

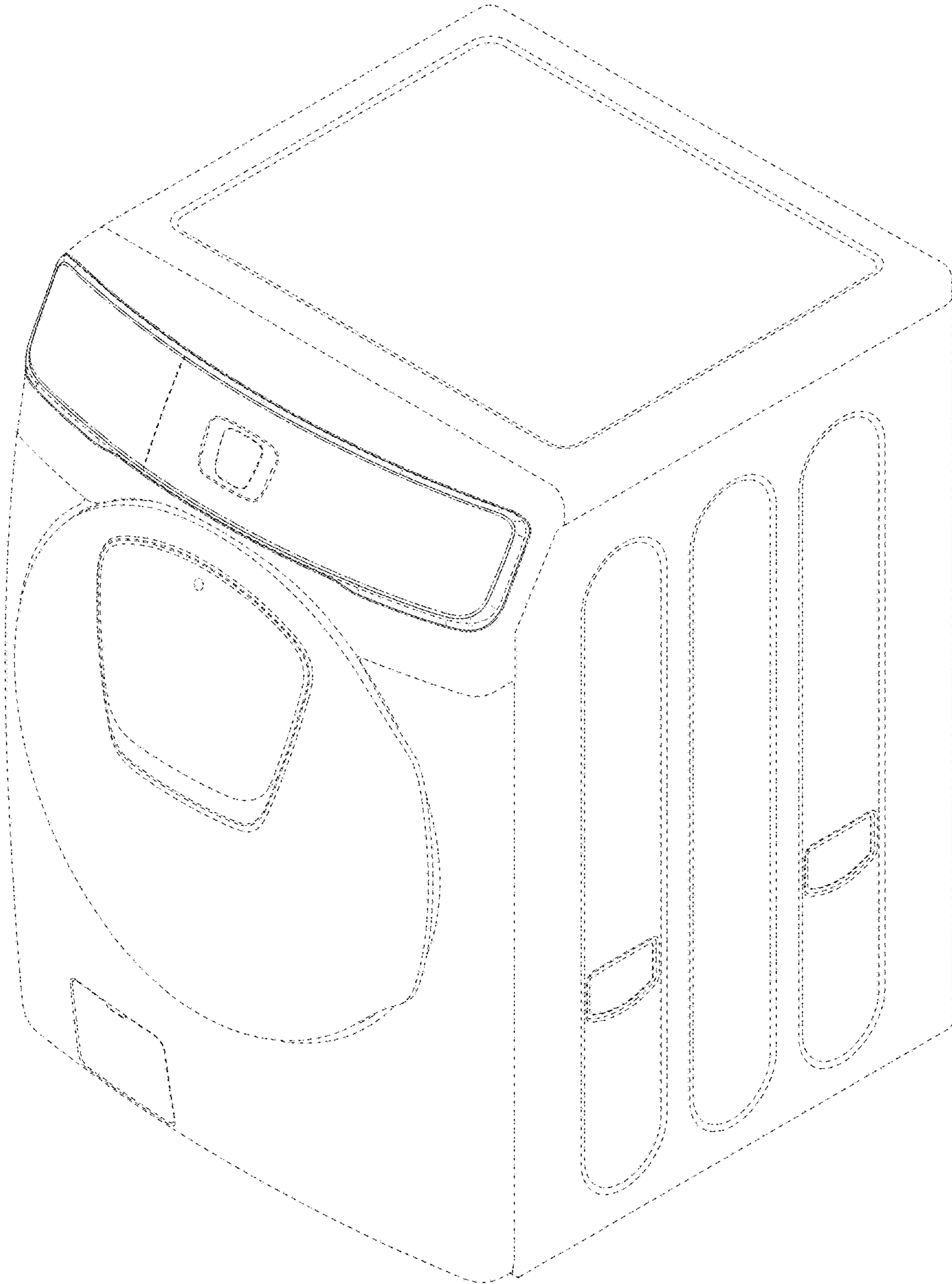


FIG. 2

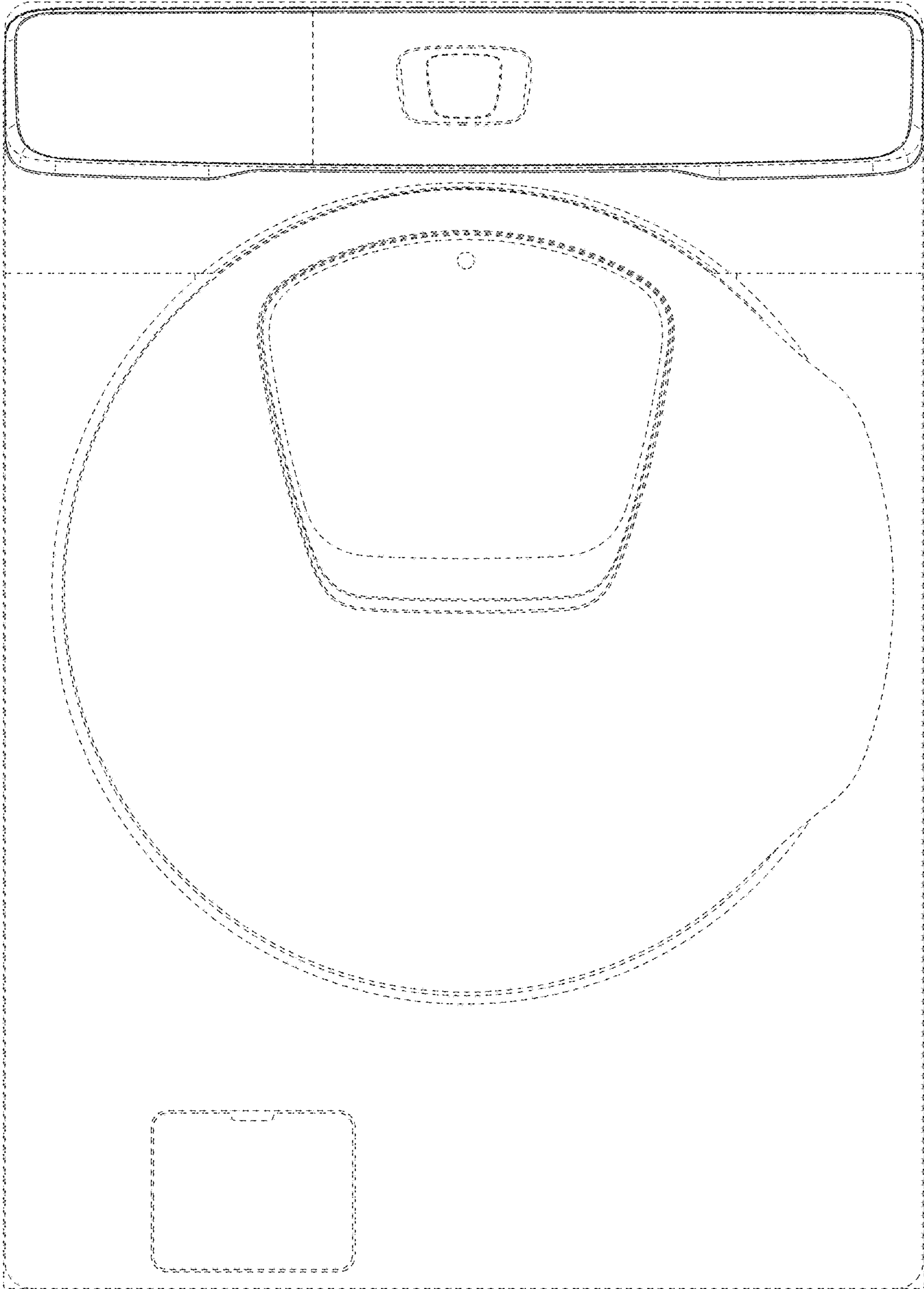


FIG. 3

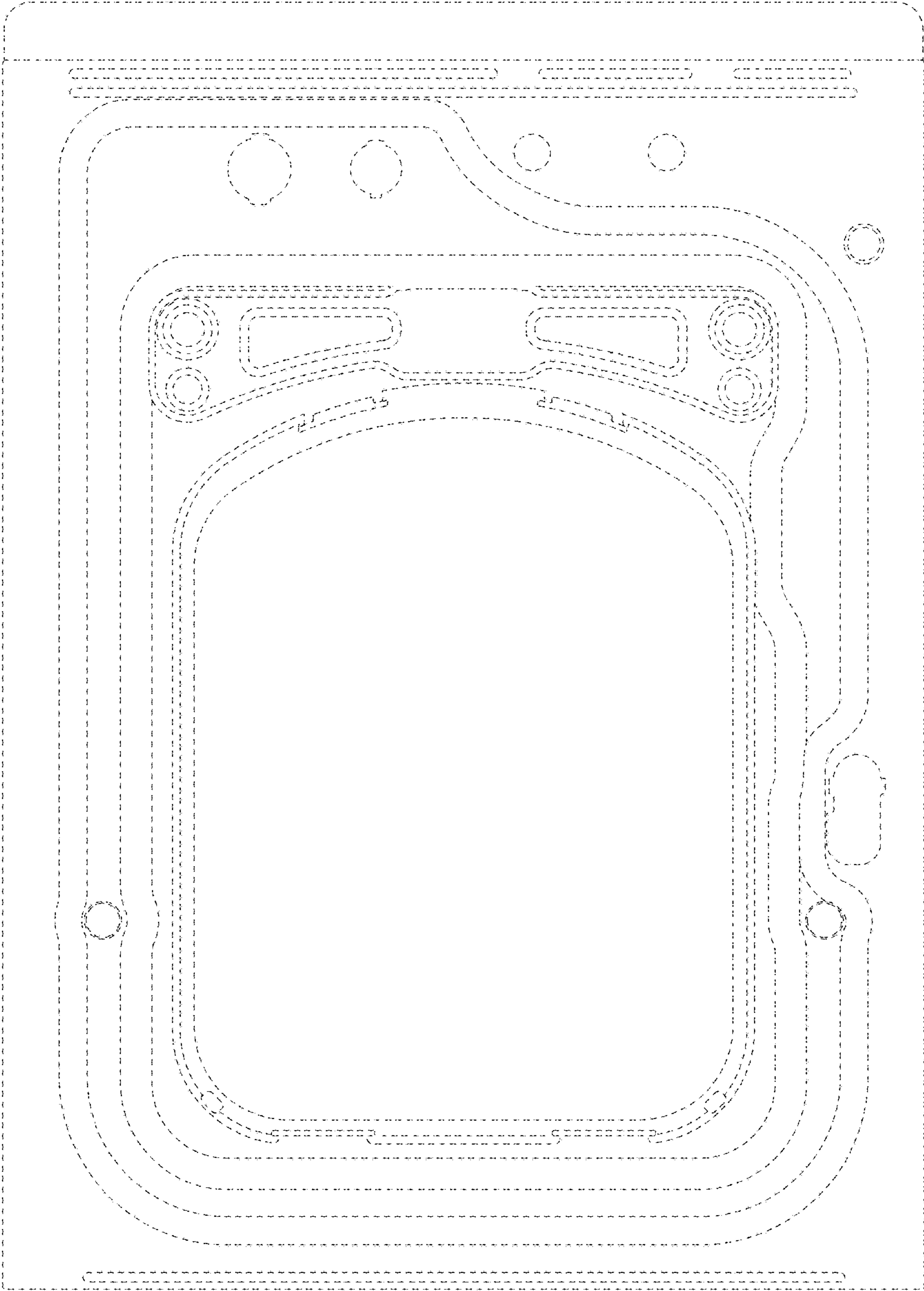


FIG. 4

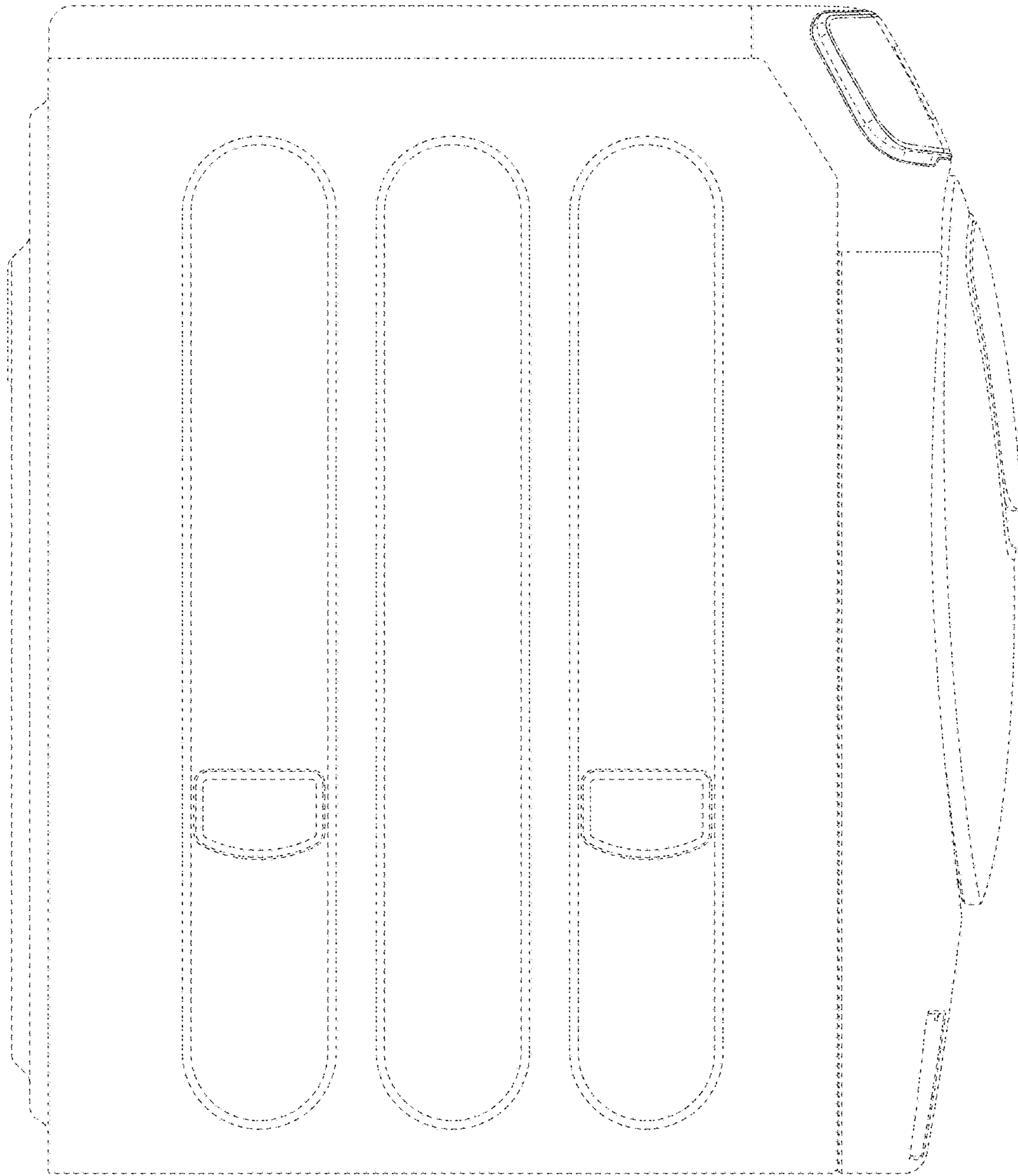


FIG. 5

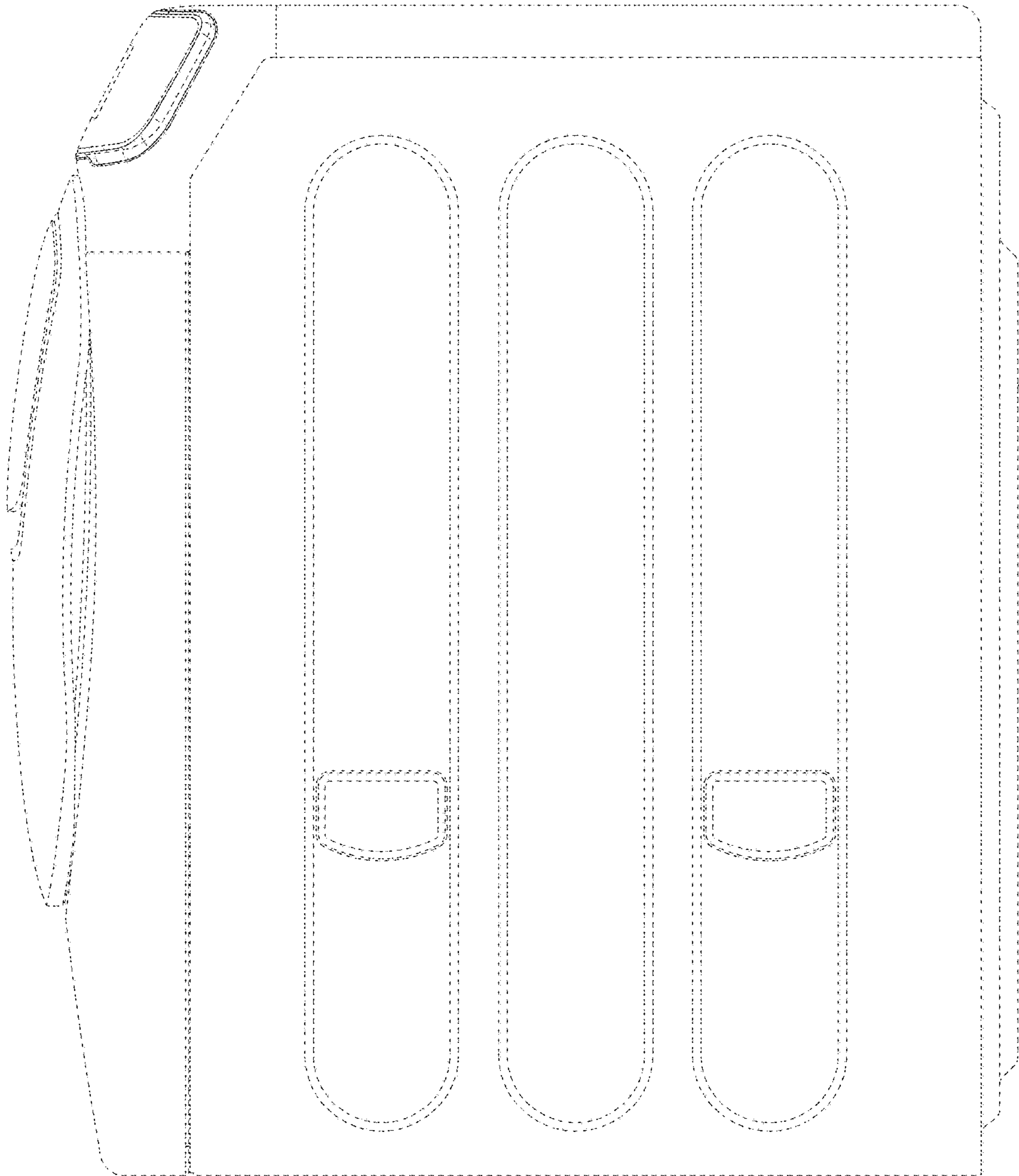


FIG. 6

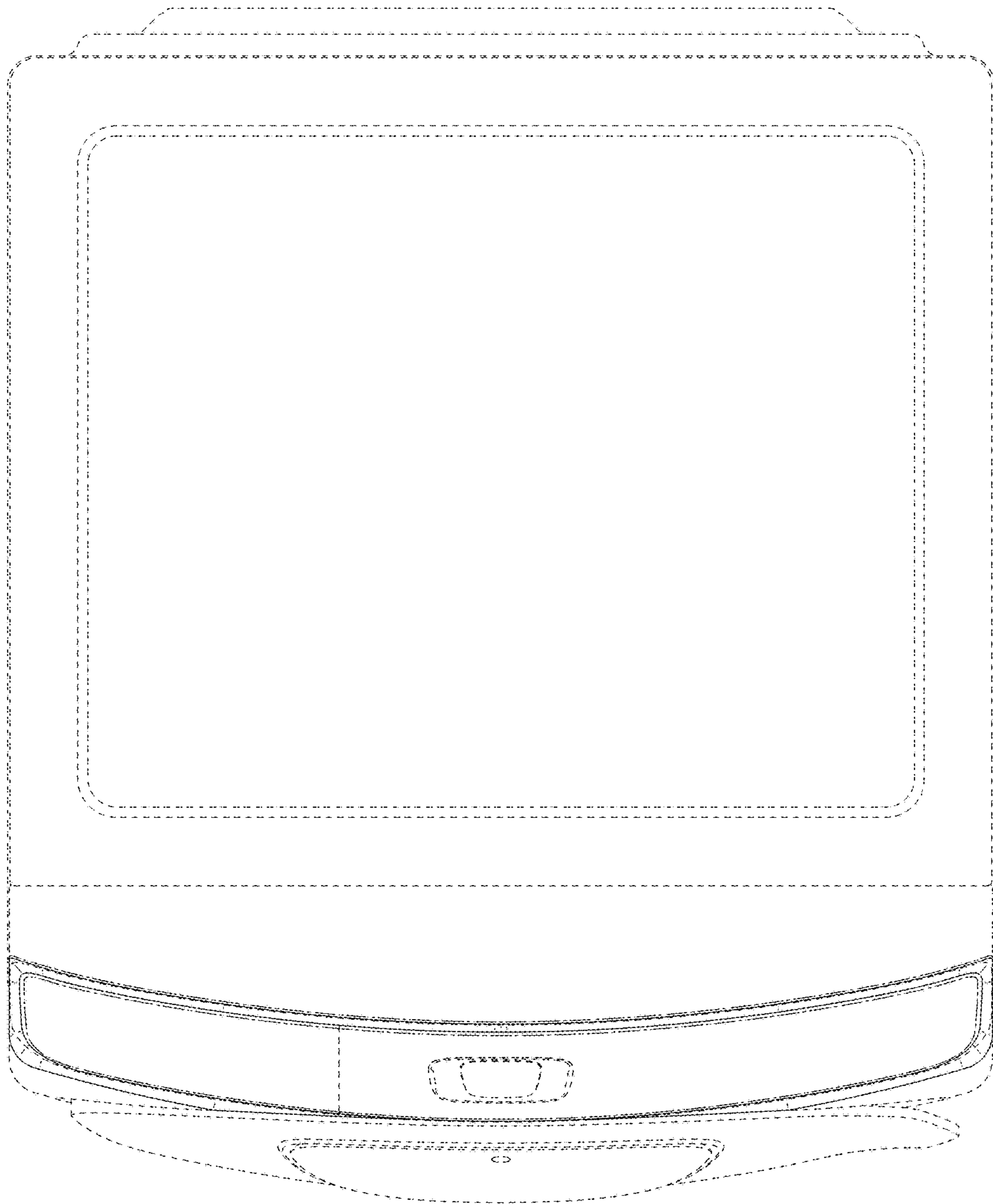


FIG. 7

