



US00D812328S

(12) **United States Design Patent**
Dunbar et al.

(10) **Patent No.:** **US D812,328 S**

(45) **Date of Patent:** **** Mar. 6, 2018**

(54) **VACUUM CLEANER**

(71) Applicant: **AC (Macao Commercial Offshore) Limited**

(72) Inventors: **Christopher James Dunbar**, Belfast (GB); **Simon Matthew Pougher**, Chester (GB); **Daniel Carter**, Olton (GB); **Francis McGovern**, Birmingham (GB); **Sophie Nadia Benaissa Hyde**, Leamington Spa (GB); **Chloe Alice Scott**, Sutton Coldfield (GB); **Matthew Cuthbert**, Sunderland (GB); **Kwun Yin Chan**, Solihull (GB)

(73) Assignee: **TTi (Macao Commercial Offshore) Limited**, Macau (MO)

(**) Term: **15 Years**

(21) Appl. No.: **29/552,765**

(22) Filed: **Jan. 26, 2016**

(30) **Foreign Application Priority Data**

Aug. 4, 2015 (CN) 2015 3 0288646

(51) **LOC (11) Cl.** **15-05**

(52) **U.S. Cl.**
USPC **D32/21**

(58) **Field of Classification Search**
USPC D32/21-23, 31, 34
CPC G06N 3/008; A47L 9/2857; A47L 9/2842;
A47L 9/2852; A47L 9/00; A47L 9/325;
A47L 5/36-5/367; A47L 7/0019; A47L
7/0004; A47L 11/34; A47L 11/29; A47L
11/30; E04H 4/1654

See application file for complete search history.

(56) **References Cited**

U.S. PATENT DOCUMENTS

D709,253 S *	7/2014	Lim	D32/21
D714,500 S *	9/2014	Irfan	D32/21
D724,281 S *	3/2015	Irfan	D32/21
D724,799 S *	3/2015	Yun	D32/21
D724,800 S *	3/2015	Irfan	D32/21
D725,331 S *	3/2015	Springell	D32/21
D731,721 S *	6/2015	Manning	D32/21
D745,758 S *	12/2015	Carter	D32/21

* cited by examiner

Primary Examiner — Ruth McInroy

(74) *Attorney, Agent, or Firm* — Michael Best & Friedrich LLP

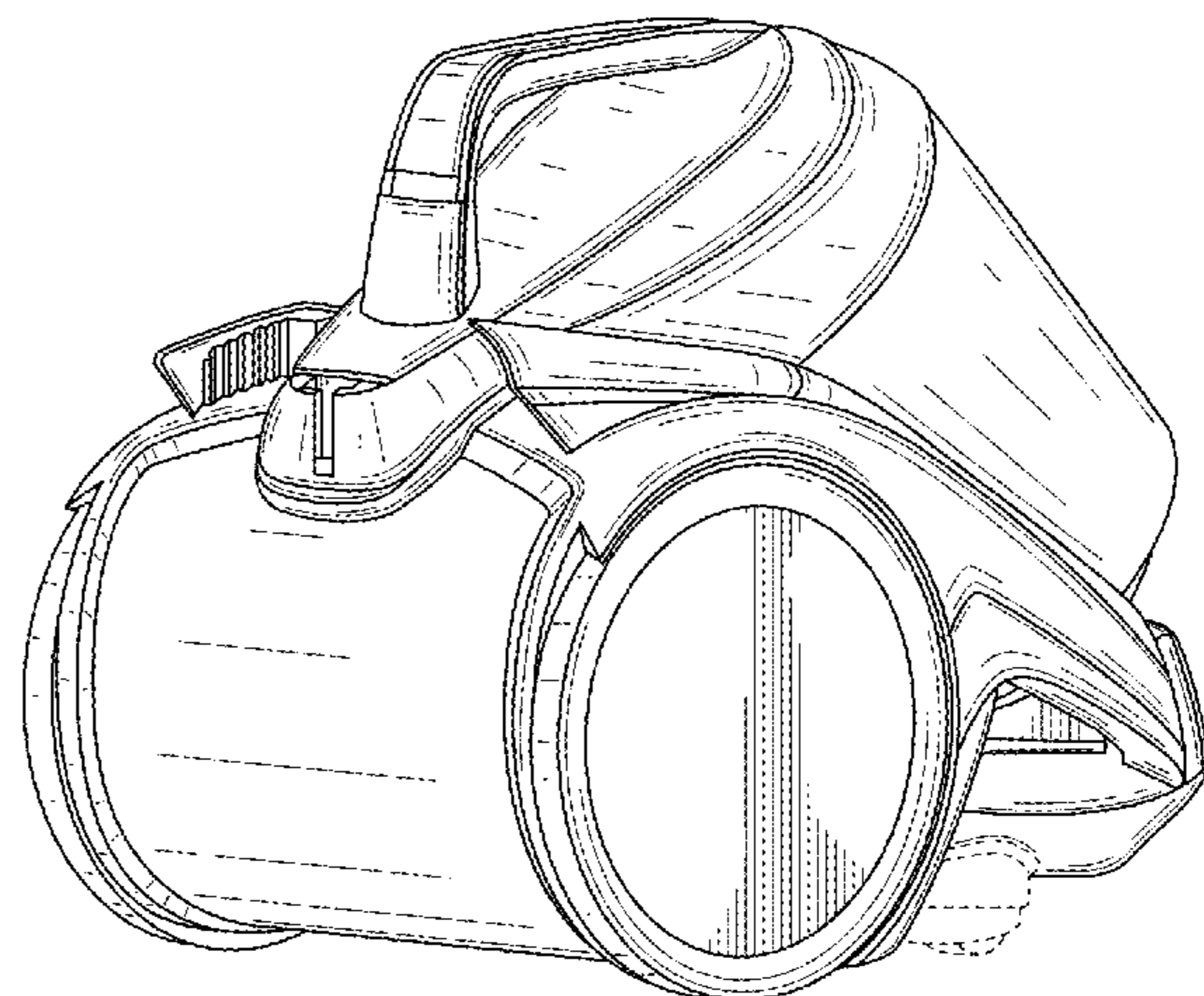
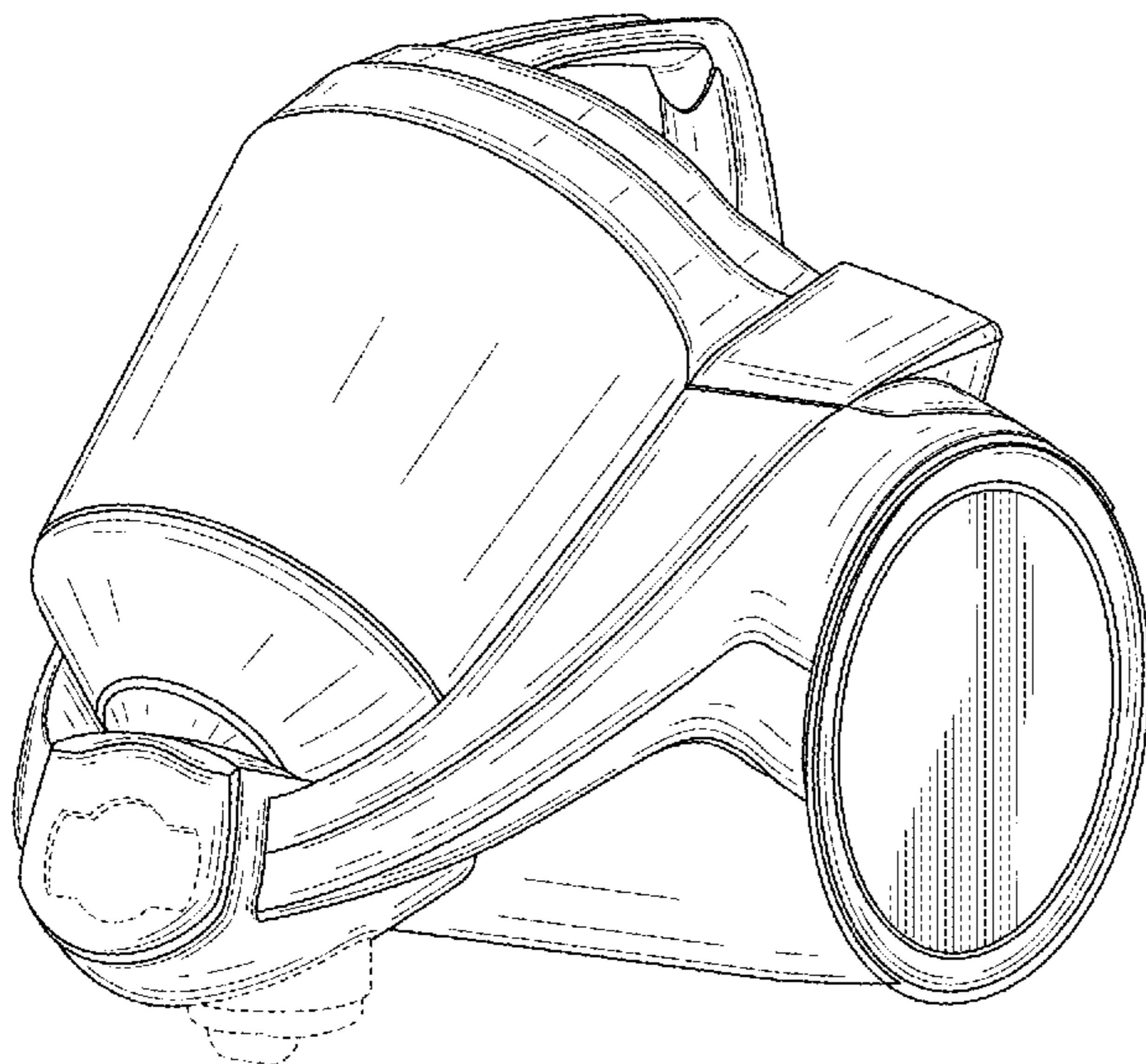
(57) **CLAIM**

We claim the ornamental design for a vacuum cleaner, as shown and described.

DESCRIPTION

FIG. 1 is a front perspective view of a vacuum cleaner showing our new design;
FIG. 2 is a rear perspective view thereof;
FIG. 3 is a front view thereof;
FIG. 4 is a rear view thereof;
FIG. 5 is a left side view thereof;
FIG. 6 is a right side view thereof; and,
FIG. 7 is a top view thereof.
Elements shown in broken lines form no part of the claimed design.

1 Claim, 4 Drawing Sheets



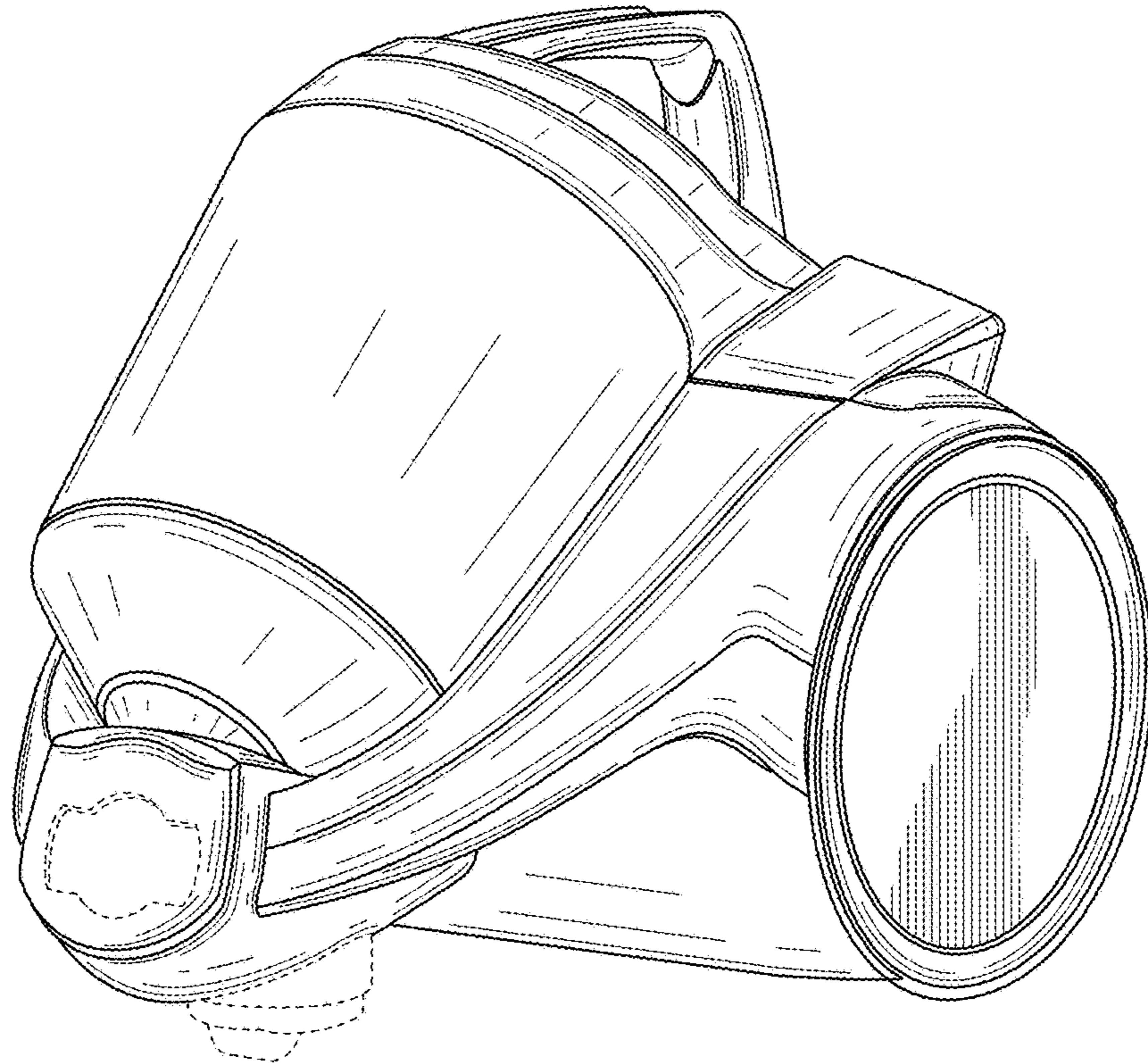


FIG. 1

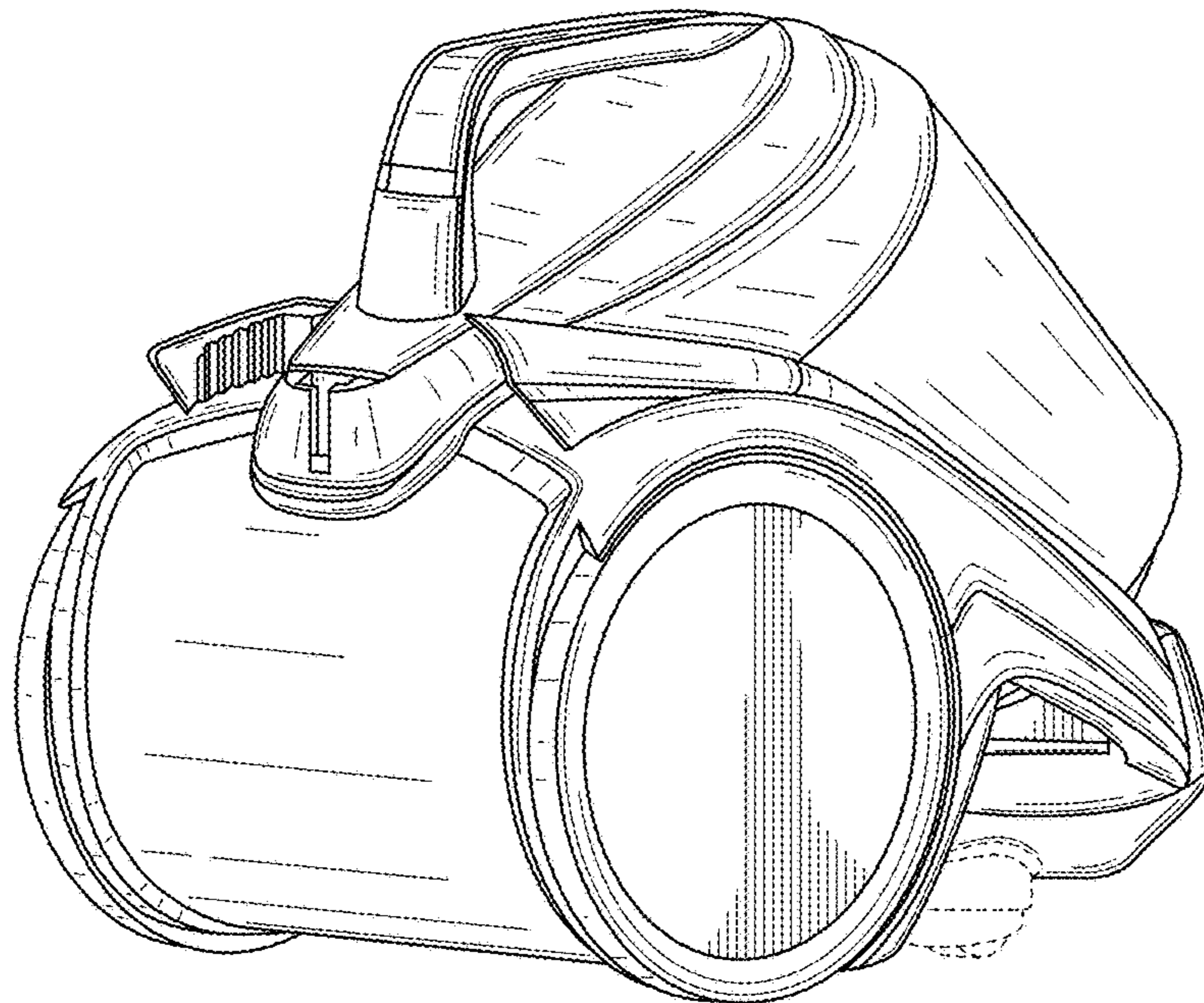


FIG. 2

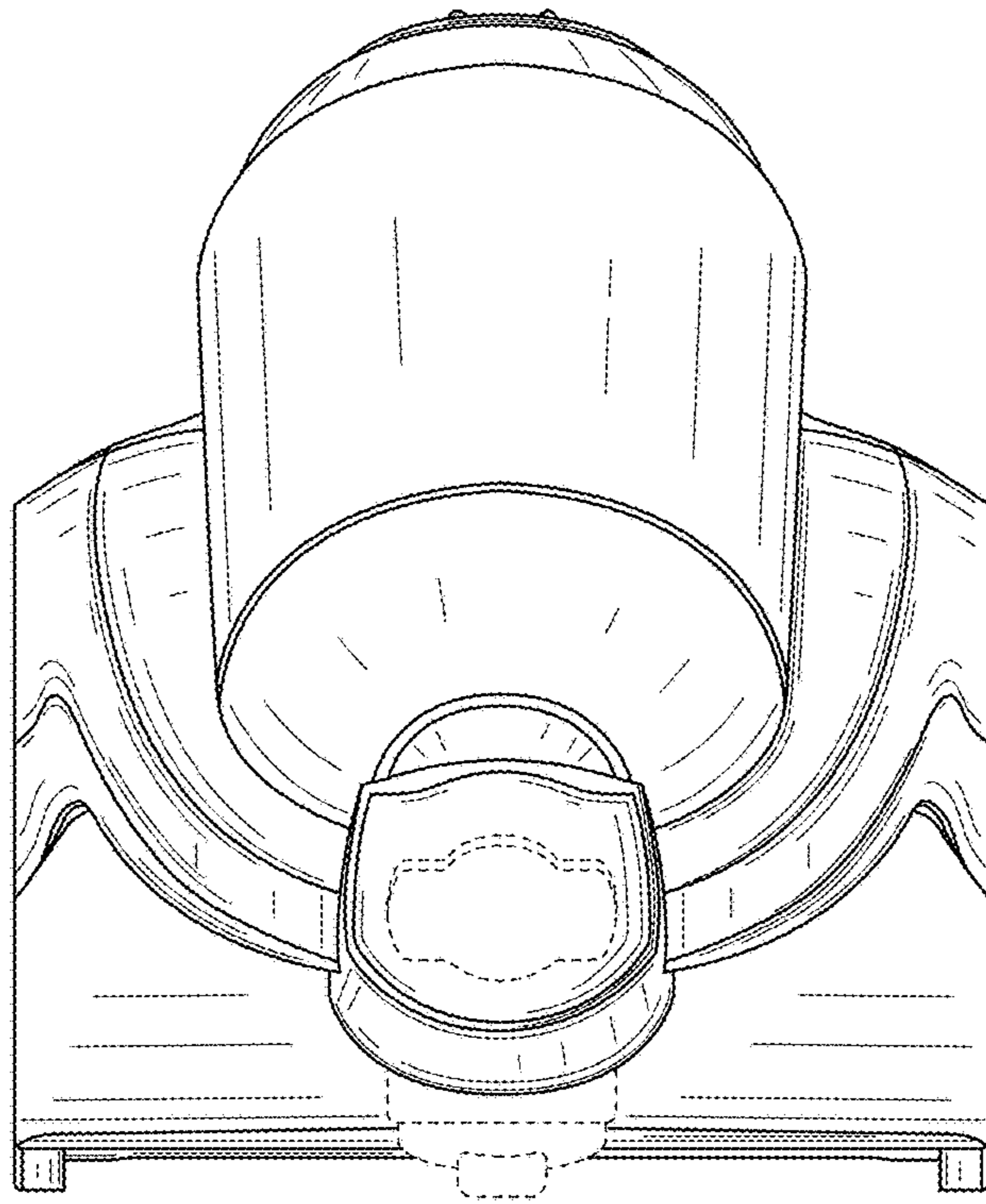


FIG. 3

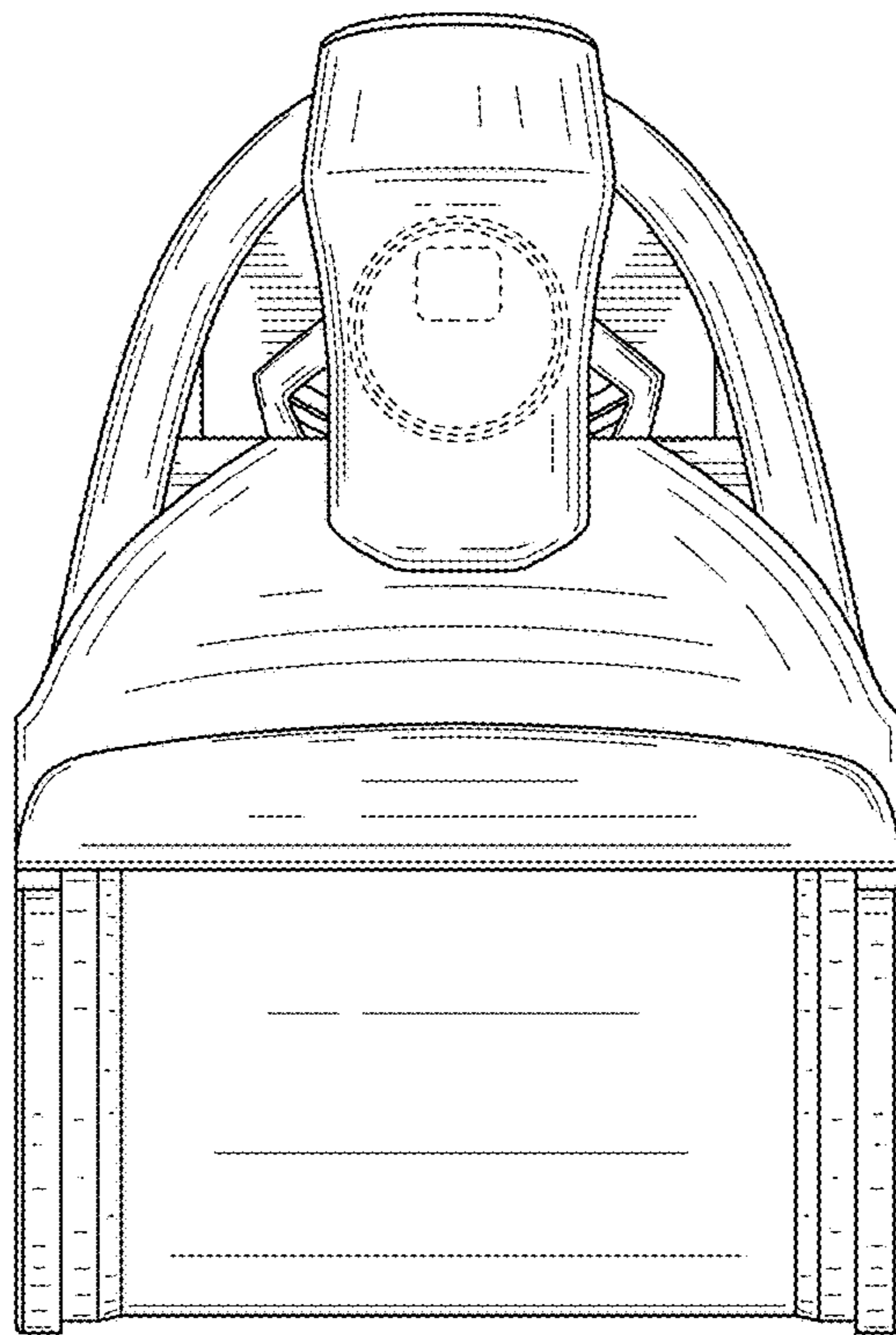


FIG. 4

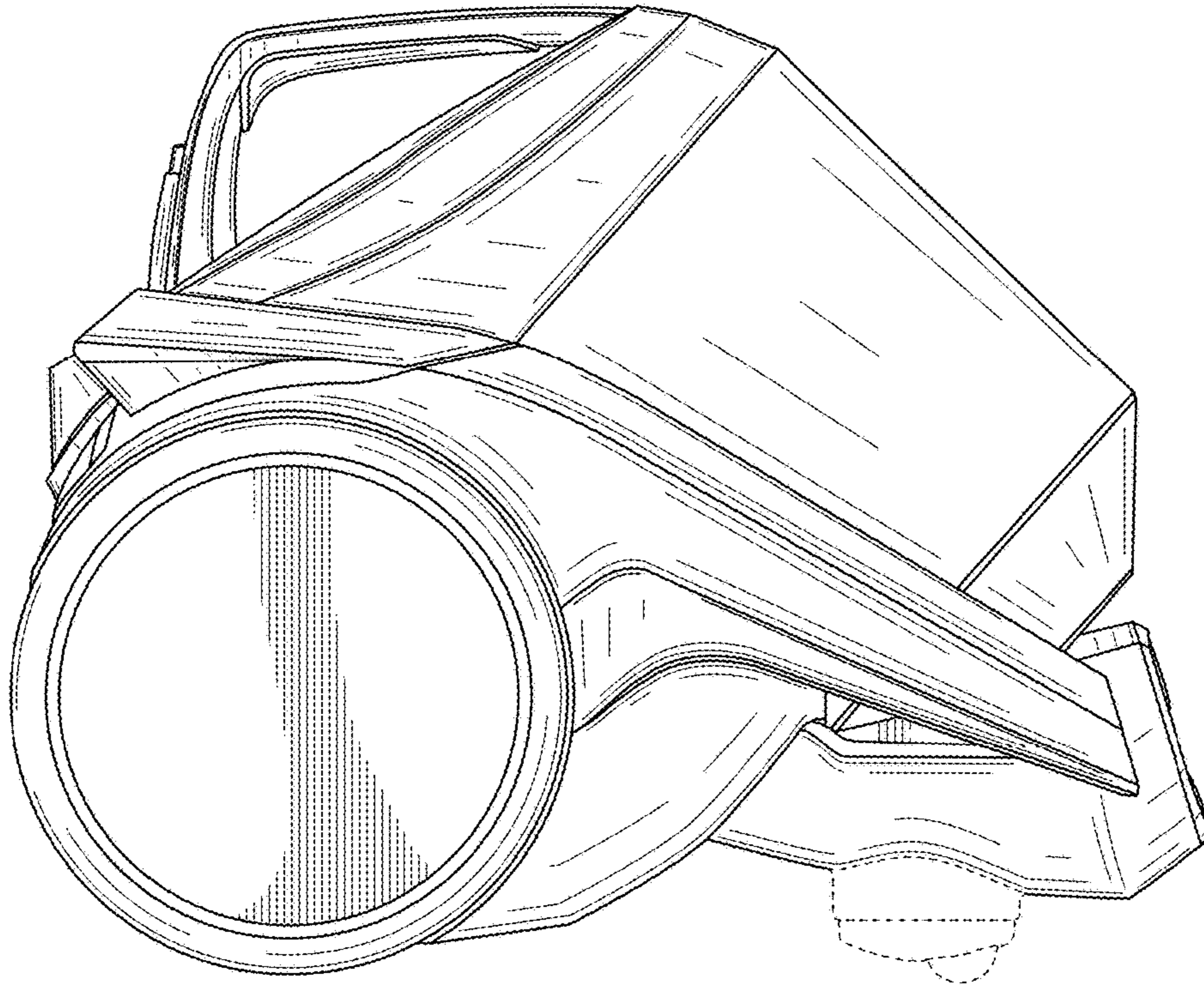


FIG. 5

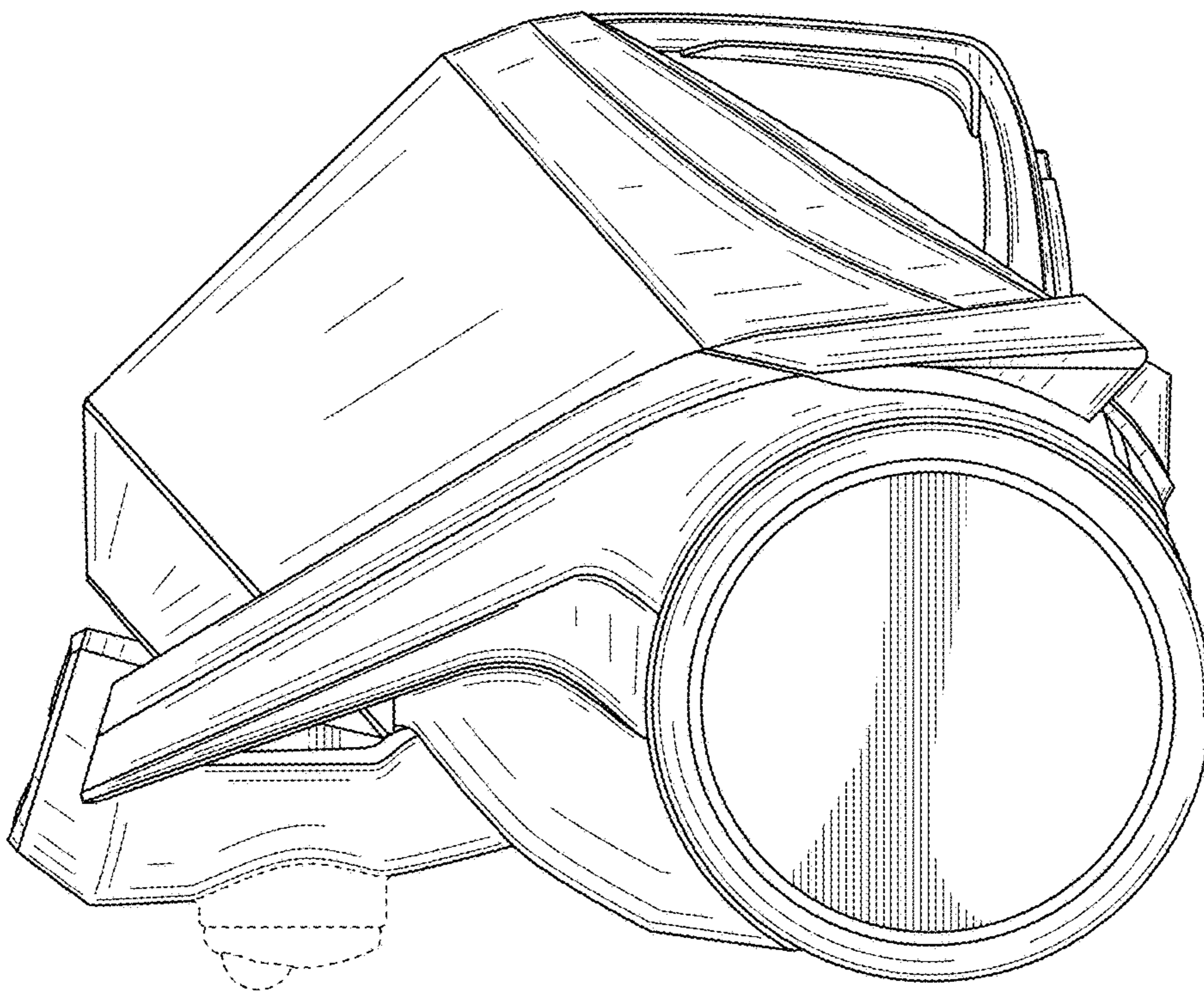


FIG. 6

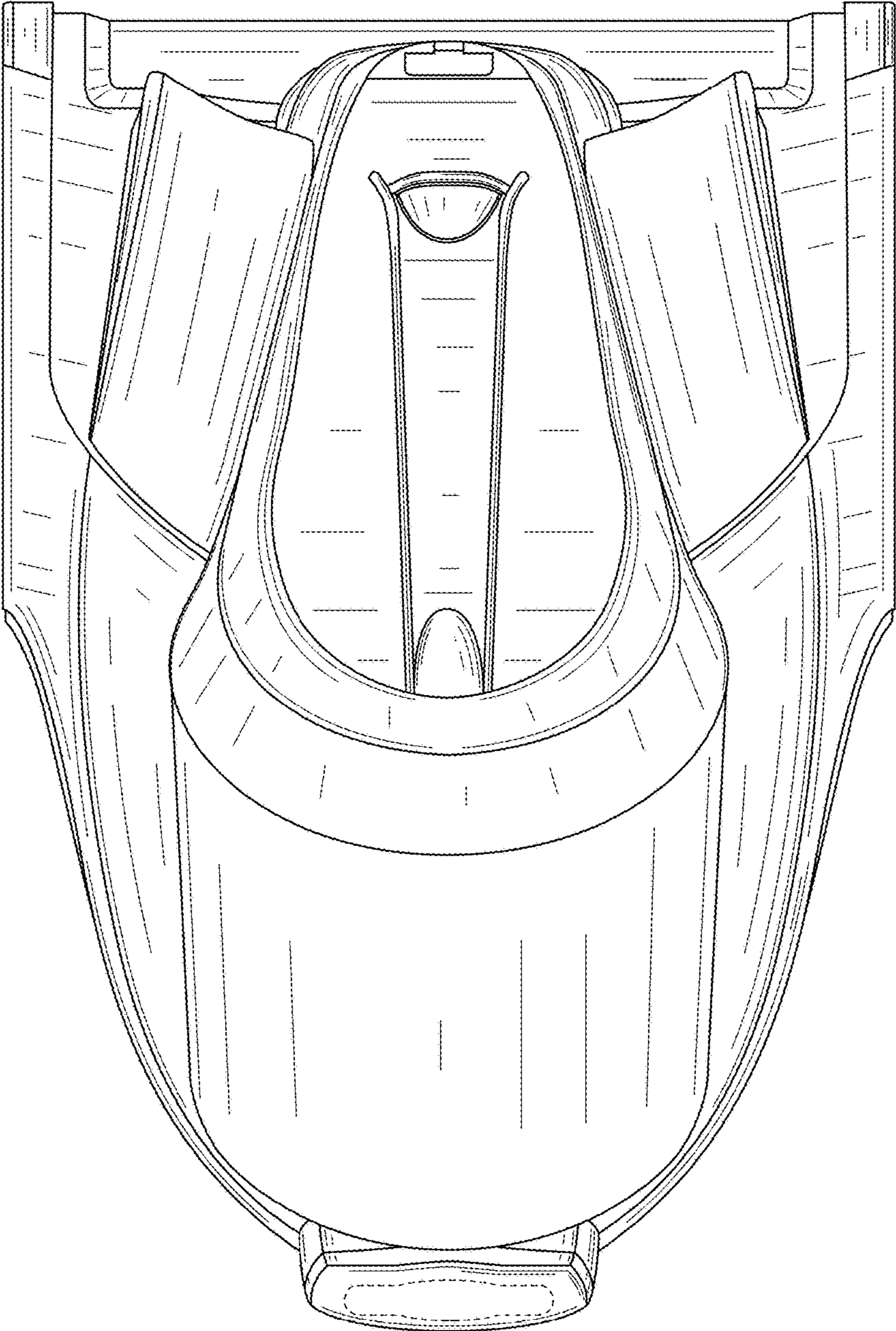


FIG. 7