



US00D812327S

(12) **United States Design Patent**
Houghton

(10) **Patent No.:** **US D812,327 S**
(45) **Date of Patent:** **** Mar. 6, 2018**

(54) **VACUUM CLEANER**

(71) Applicant: **BLACK & DECKER INC.**, New Britain, CT (US)

(72) Inventor: **Stephen Houghton**, Newcastle-upon-Tyne (GB)

(73) Assignee: **BLACK & DECKER INC.**, New Britain, CT (US)

(**) Term: **15 Years**

(21) Appl. No.: **29/545,388**

(22) Filed: **Nov. 12, 2015**

(30) **Foreign Application Priority Data**

May 14, 2015 (EM) 002700823

(51) **LOC (11) Cl.** **15-05**

(52) **U.S. Cl.**
USPC **D32/18**

(58) **Field of Classification Search**

USPC D32/17-18, 21-22, 31, 34
CPC A47L 5/24; A47L 5/28; A47L 5/34; A47L 5/362; A47L 5/36; A47L 11/34; A47L 9/325; A47L 9/20; A47L 9/02; A47L 9/32; A47L 9/322; A47L 9/327; A47L 7/0038

See application file for complete search history.

(56) **References Cited**

U.S. PATENT DOCUMENTS

D468,068 S * 12/2002 Mok D32/18
D480,846 S * 10/2003 Ki D32/18

D564,156 S * 3/2008 Ågren D32/31
D579,161 S * 10/2008 Crawley D32/18
D640,021 S * 6/2011 Houghton D32/18
D640,848 S * 6/2011 Houghton D32/18
D641,111 S * 7/2011 Houghton D32/18
D648,083 S * 11/2011 Luyckx D32/18
D653,008 S * 1/2012 Houghton D32/18
D660,527 S * 5/2012 Kawase D32/18
D660,528 S * 5/2012 Okuda D32/18
D696,825 S * 12/2013 Sweeney D32/18
D759,920 S * 6/2016 Gray D32/31
D767,222 S * 9/2016 Houghton D32/31

* cited by examiner

Primary Examiner — Ruth McInroy

(74) *Attorney, Agent, or Firm* — John Yun

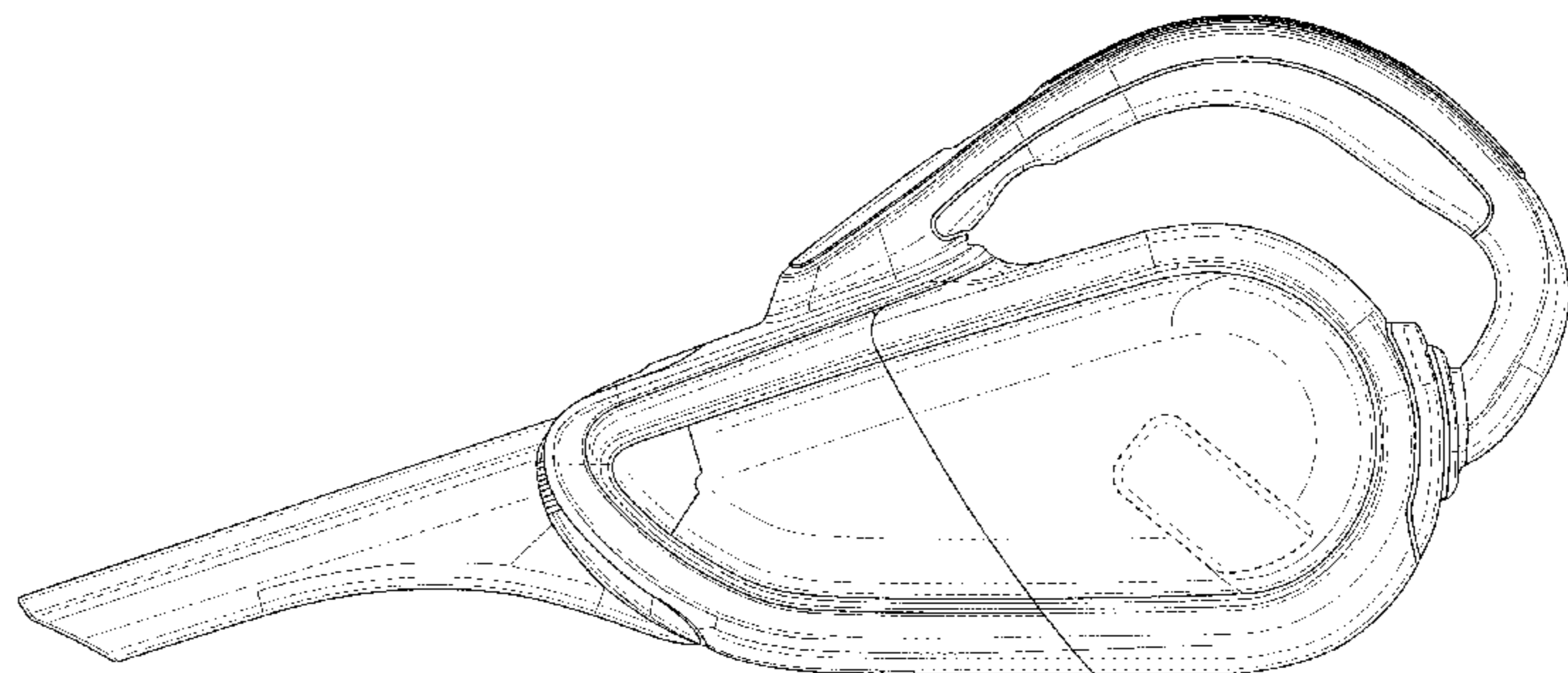
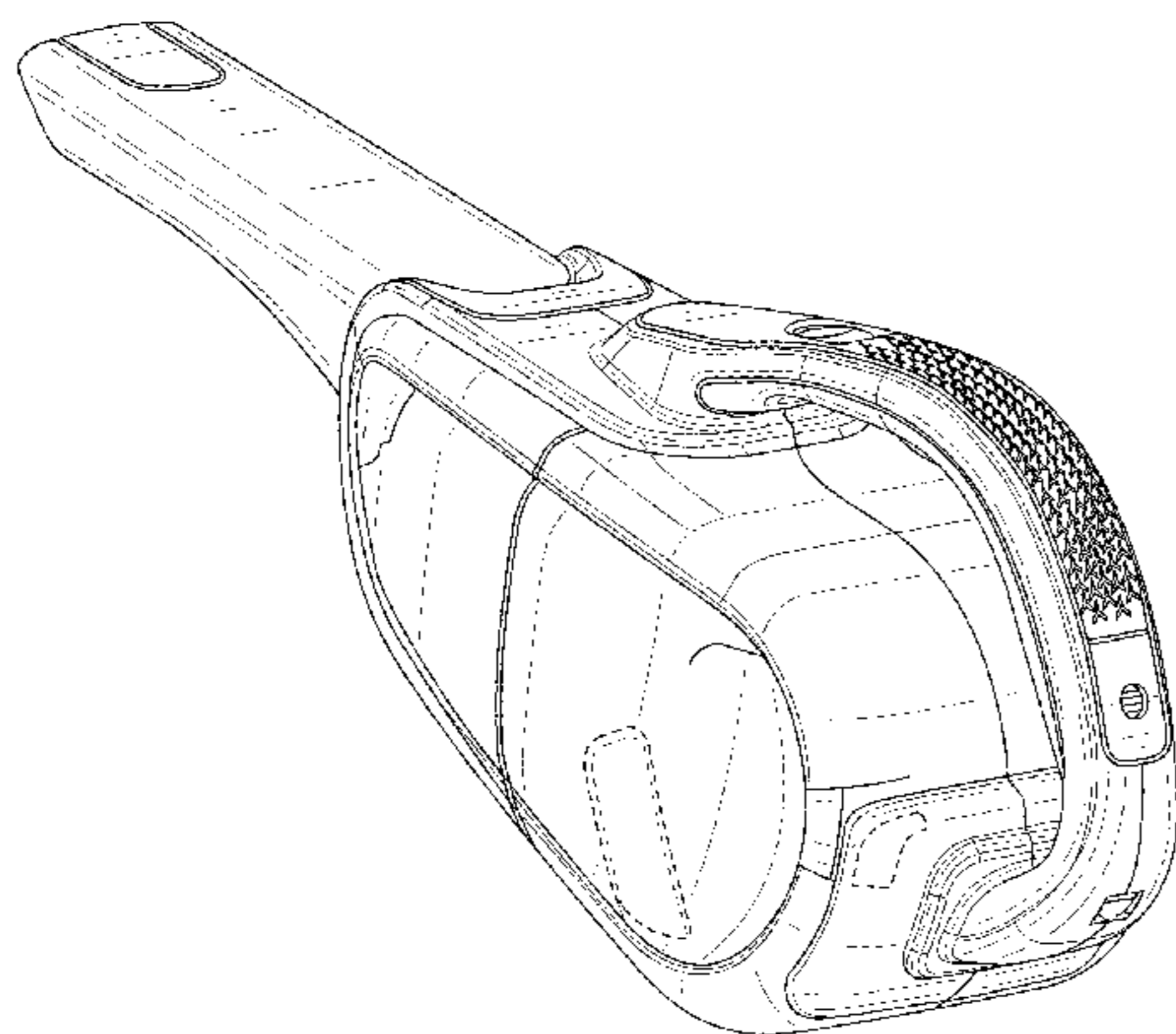
(57) **CLAIM**

The ornamental design for a vacuum cleaner, as shown and described.

DESCRIPTION

FIG. 1 is a perspective view of a vacuum cleaner showing my new design;
FIG. 2 is a left side view thereof;
FIG. 3 is a right side view thereof;
FIG. 4 is a front view thereof;
FIG. 5 is a rear view thereof;
FIG. 6 is a bottom plan view thereof; and,
FIG. 7 is a top plan view thereof.
The details shown in broken lines form no part of the claimed design.

1 Claim, 7 Drawing Sheets



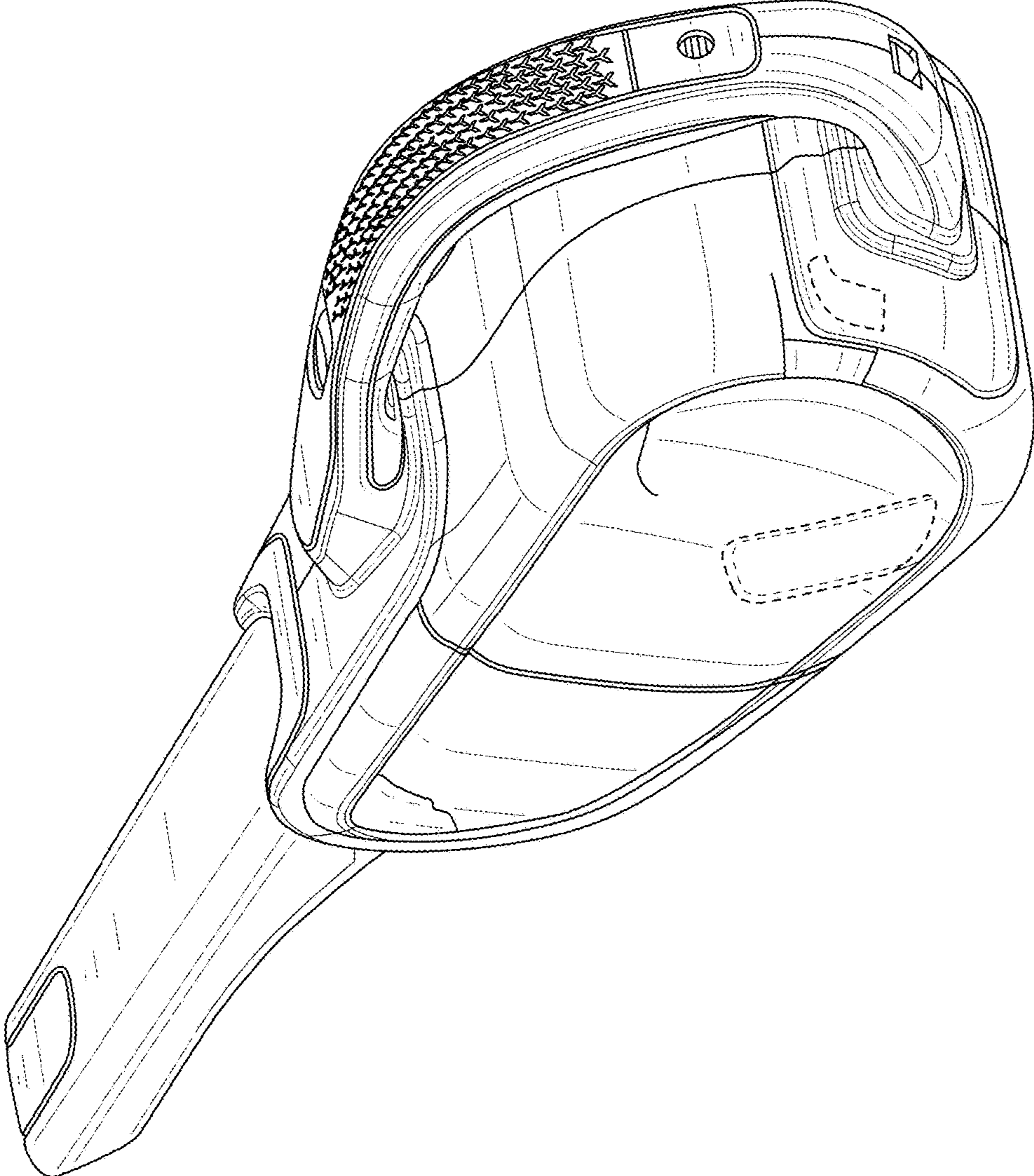


FIG. 1

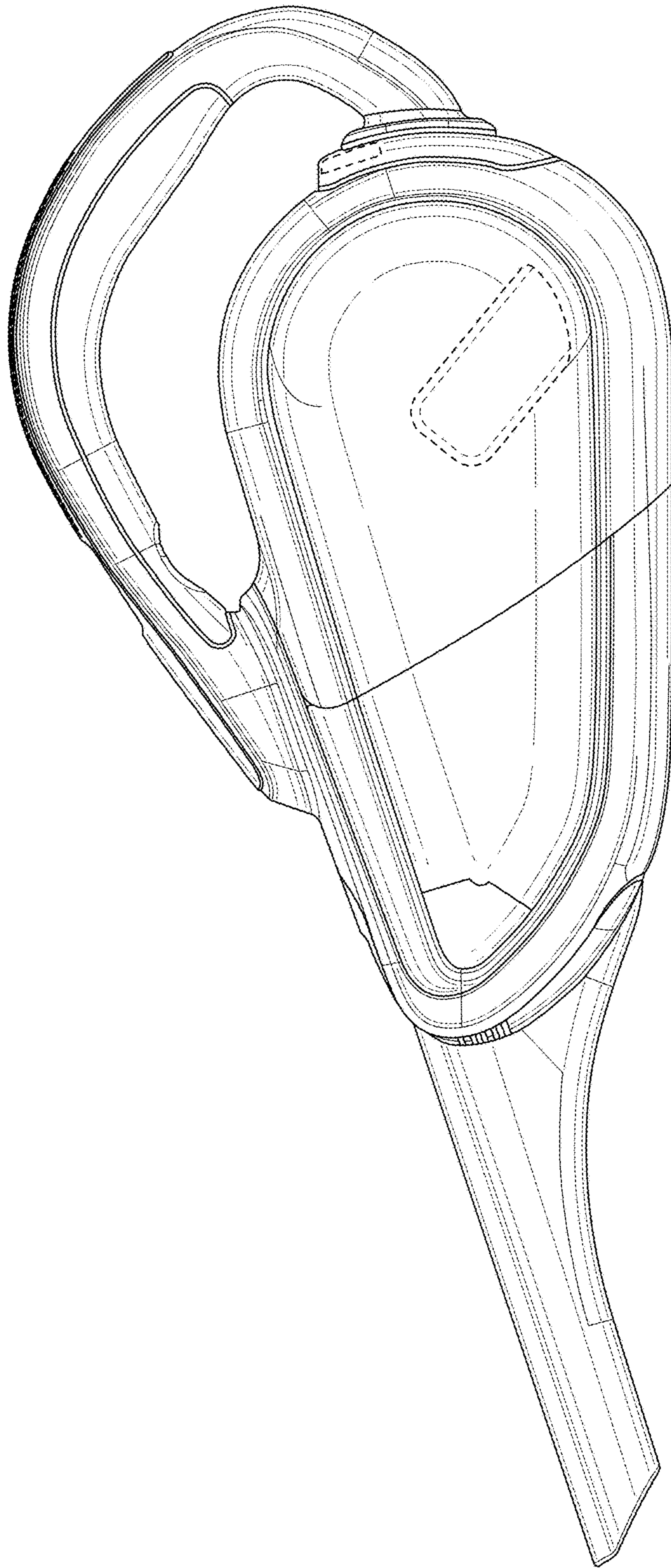


FIG. 2

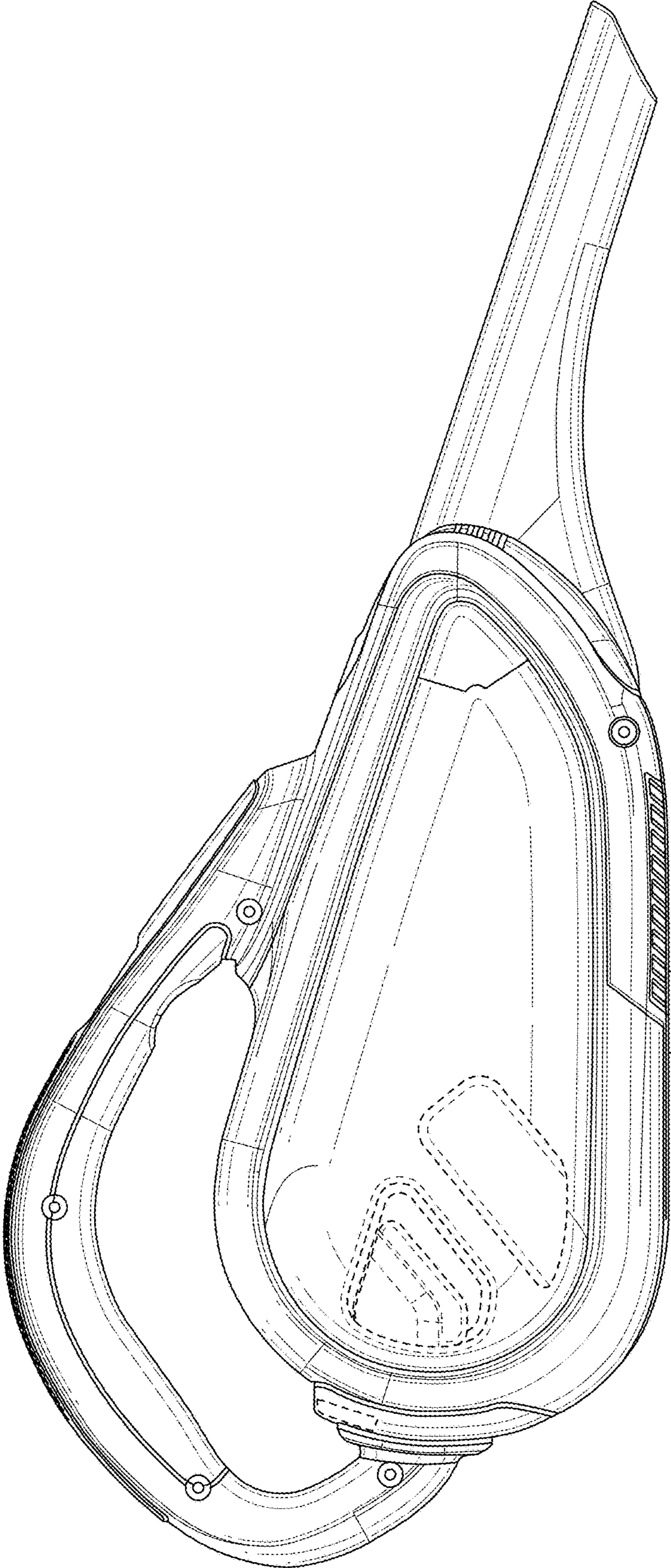


FIG. 3

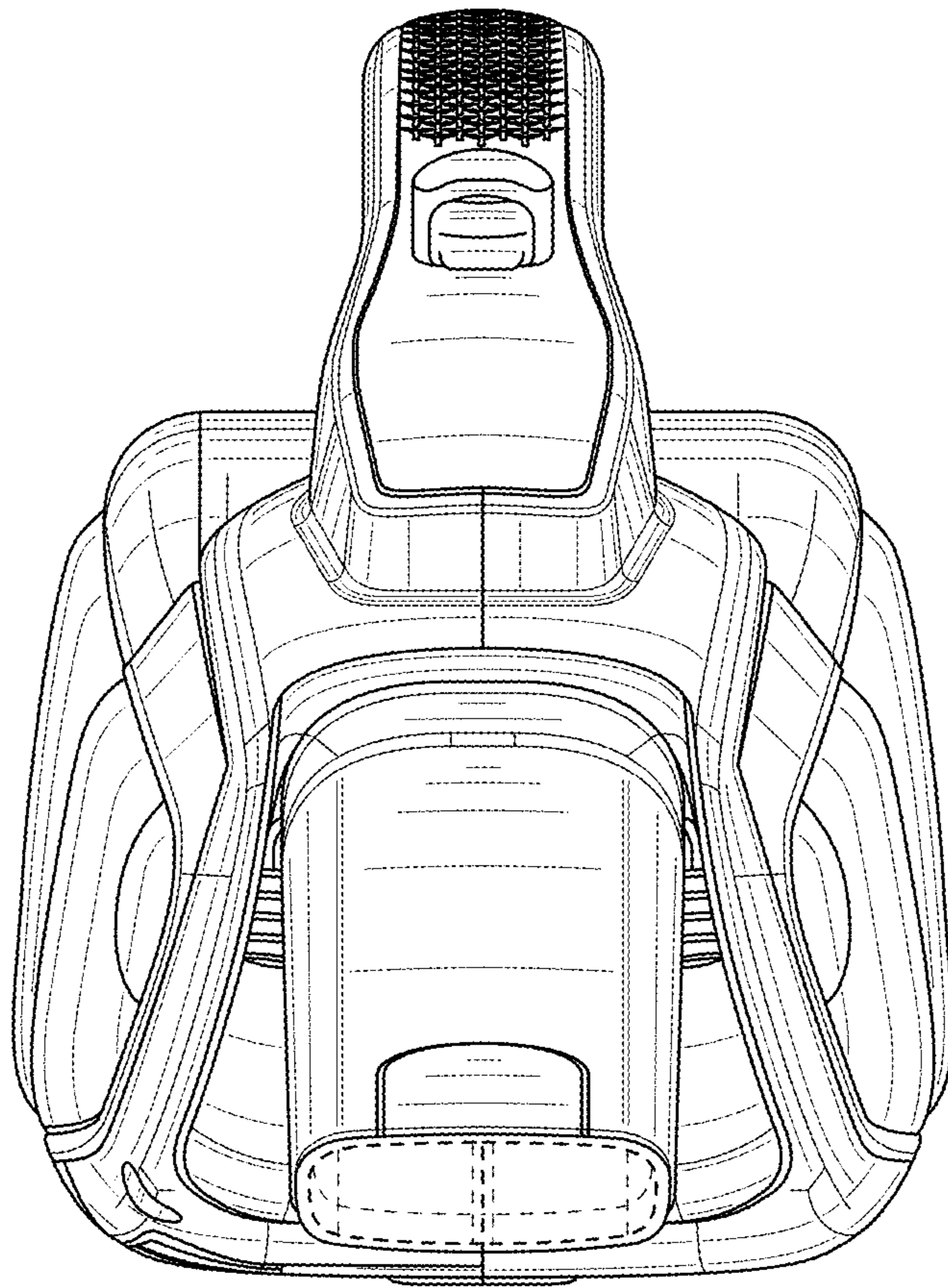


FIG. 4

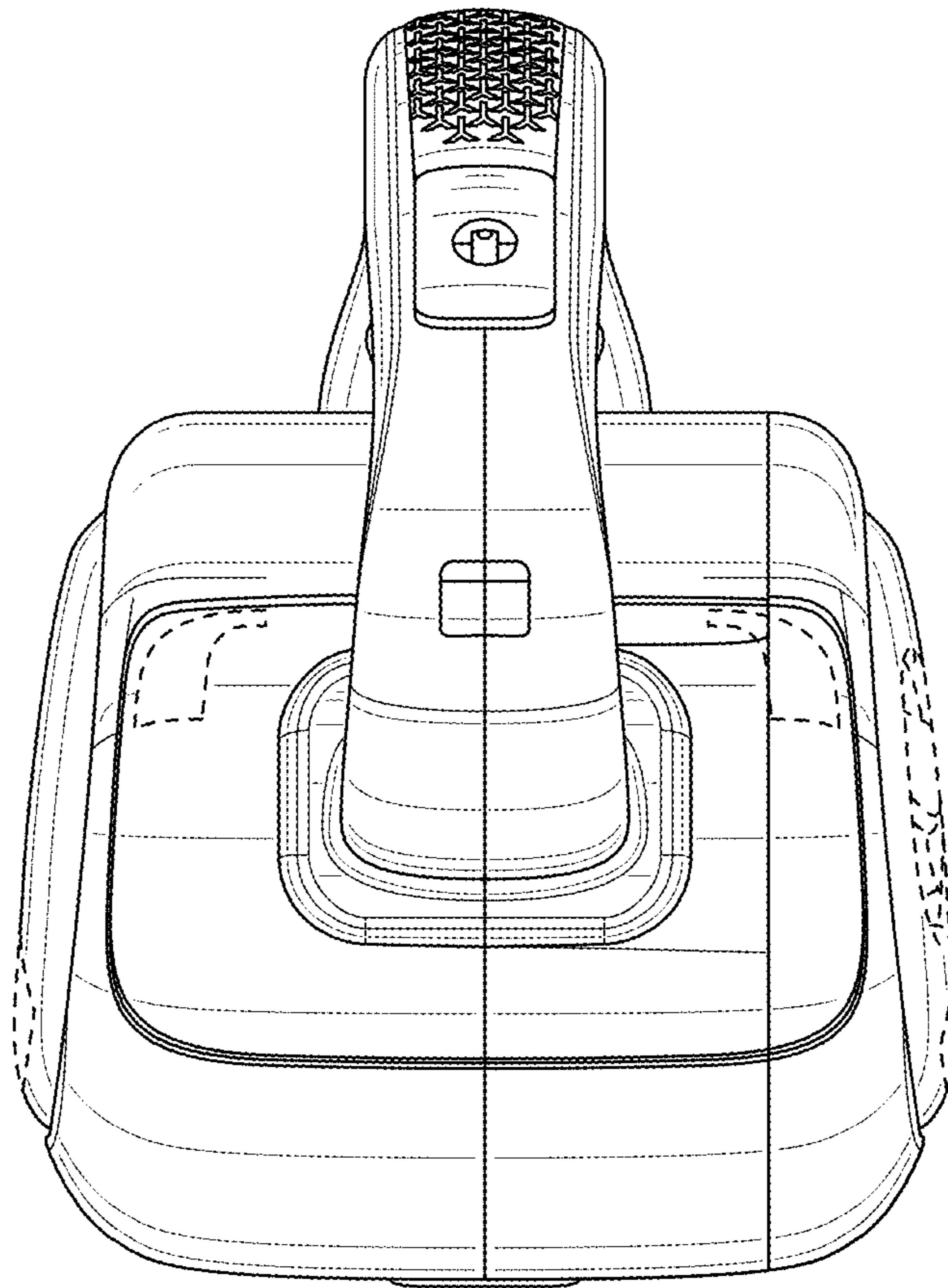


FIG. 5

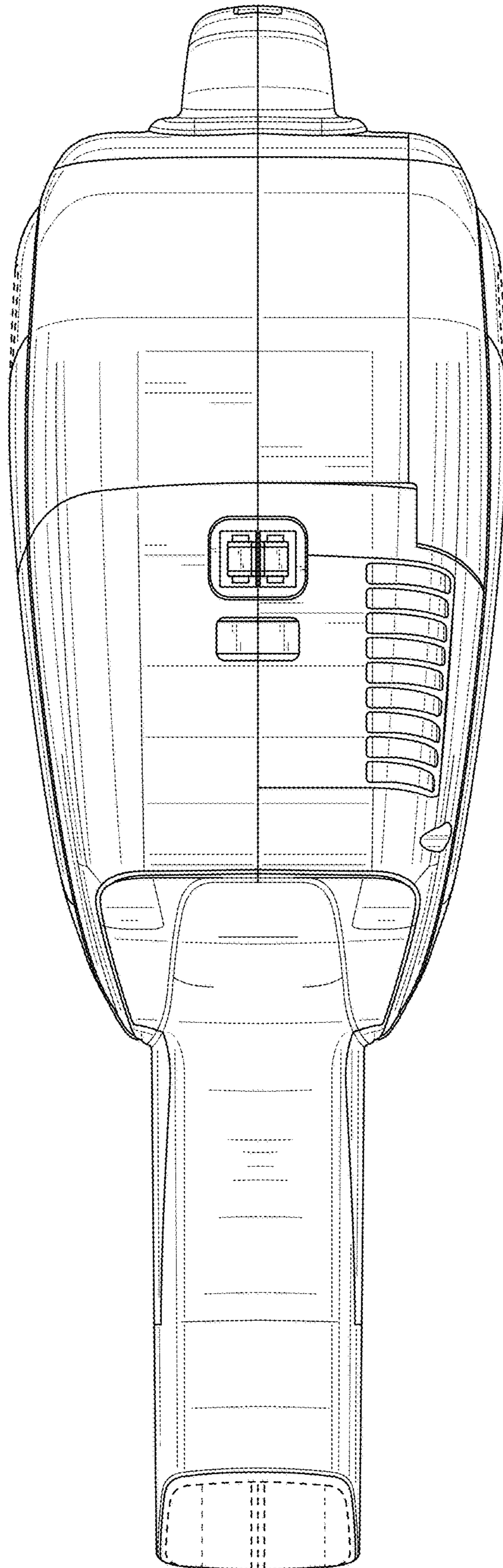


FIG. 6

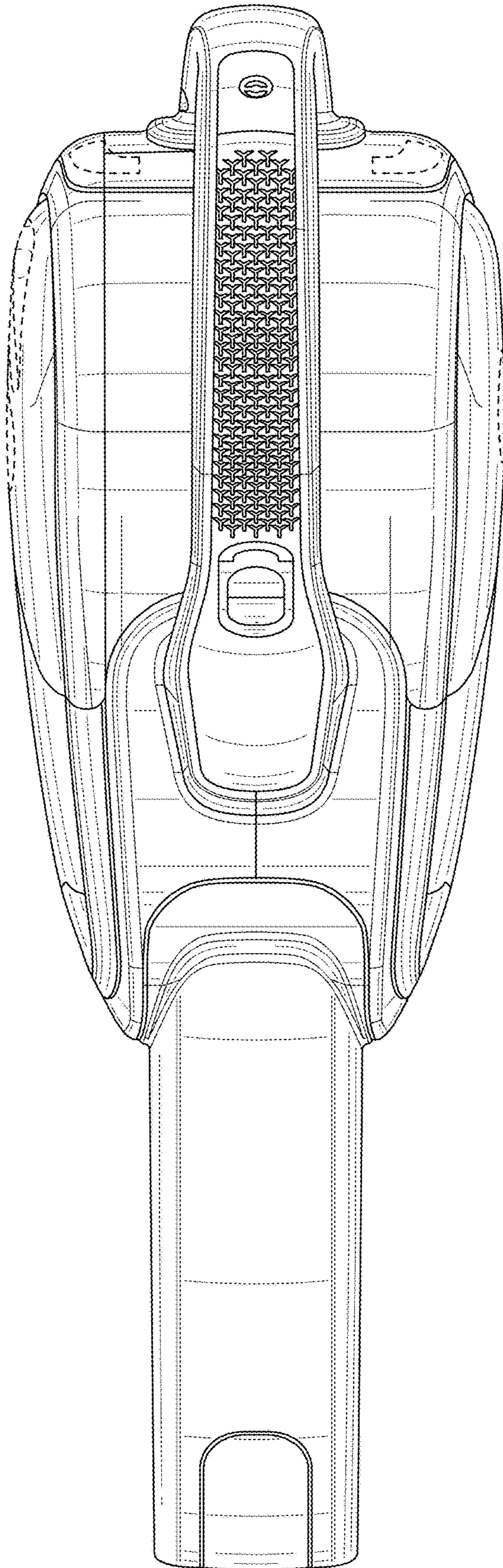


FIG. 7