



US00D812325S

(12) **United States Design Patent** (10) **Patent No.:** **US D812,325 S**  
**Bixby et al.** (45) **Date of Patent:** **\*\* Mar. 6, 2018**

(54) **FRONTLOAD DRYING APPLIANCE**

(71) Applicant: **WHIRLPOOL CORPORATION**,  
Benton Harbor, MI (US)

(72) Inventors: **Seth E. Bixby**, Stevensville, MI (US);  
**Richard K. Gresens**, Saint Joseph, MI (US);  
**John W. McConnell**, Saint Joseph, MI (US);  
**Patrick J. Schiavone**, Benton Harbor, MI (US);  
**Samuel B. Breneman**, Saint Joseph, MI (US)

(73) Assignee: **Whirlpool Corporation**, Benton Harbor, MI (US)

(\*\*) Term: **15 Years**

(21) Appl. No.: **29/561,334**

(22) Filed: **Apr. 15, 2016**

**Related U.S. Application Data**

(62) Division of application No. 29/499,766, filed on Aug. 19, 2014, now Pat. No. Des. 758,031.

(51) **LOC (11) Cl.** ..... **15-05**

(52) **U.S. Cl.**  
USPC ..... **D32/8**

(58) **Field of Classification Search**  
USPC ..... D7/340, 405; D32/6, 8, 1, 25, 5  
CPC ..... D06F 58/00; D06F 58/02; D06F 58/04;  
D06F 58/20

See application file for complete search history.

(56) **References Cited**

**U.S. PATENT DOCUMENTS**

D489,152 S *	4/2004	Sneddon	.....	D32/28
D568,563 S *	5/2008	Stephens	.....	D32/28
D648,084 S *	11/2011	Browne	.....	D32/28
D648,085 S *	11/2011	Miller	.....	D32/28
D733,375 S *	6/2015	Uk	.....	D32/28

D754,937 S *	4/2016	Kim	.....	D32/8
D760,968 S *	7/2016	Choi	.....	D32/8
D776,886 S *	1/2017	Choi	.....	D32/8
D778,010 S *	1/2017	Choi	.....	D32/8
2009/0229320 A1 *	9/2009	Yoo	.....	D06F 23/04 68/3 R
2010/0132416 A1 *	6/2010	Park, II	.....	D06F 39/088 68/212
2010/0325815 A1 *	12/2010	Im	.....	D06F 33/02 8/159

\* cited by examiner

*Primary Examiner* — Michael A. Pratt  
*Assistant Examiner* — Michelle E Wilson

(57) **CLAIM**

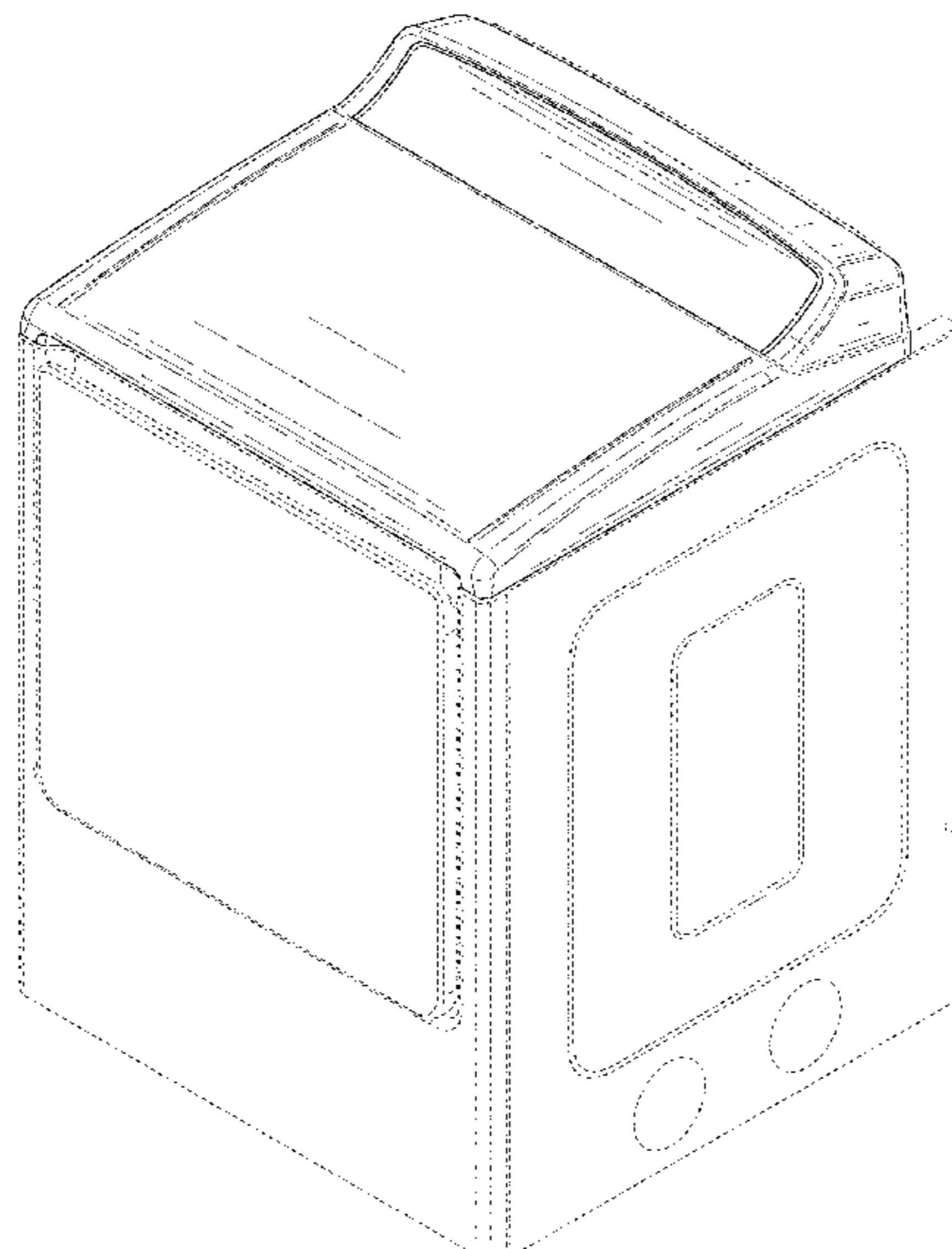
We claim the ornamental design for a frontload drying appliance, as shown and described.

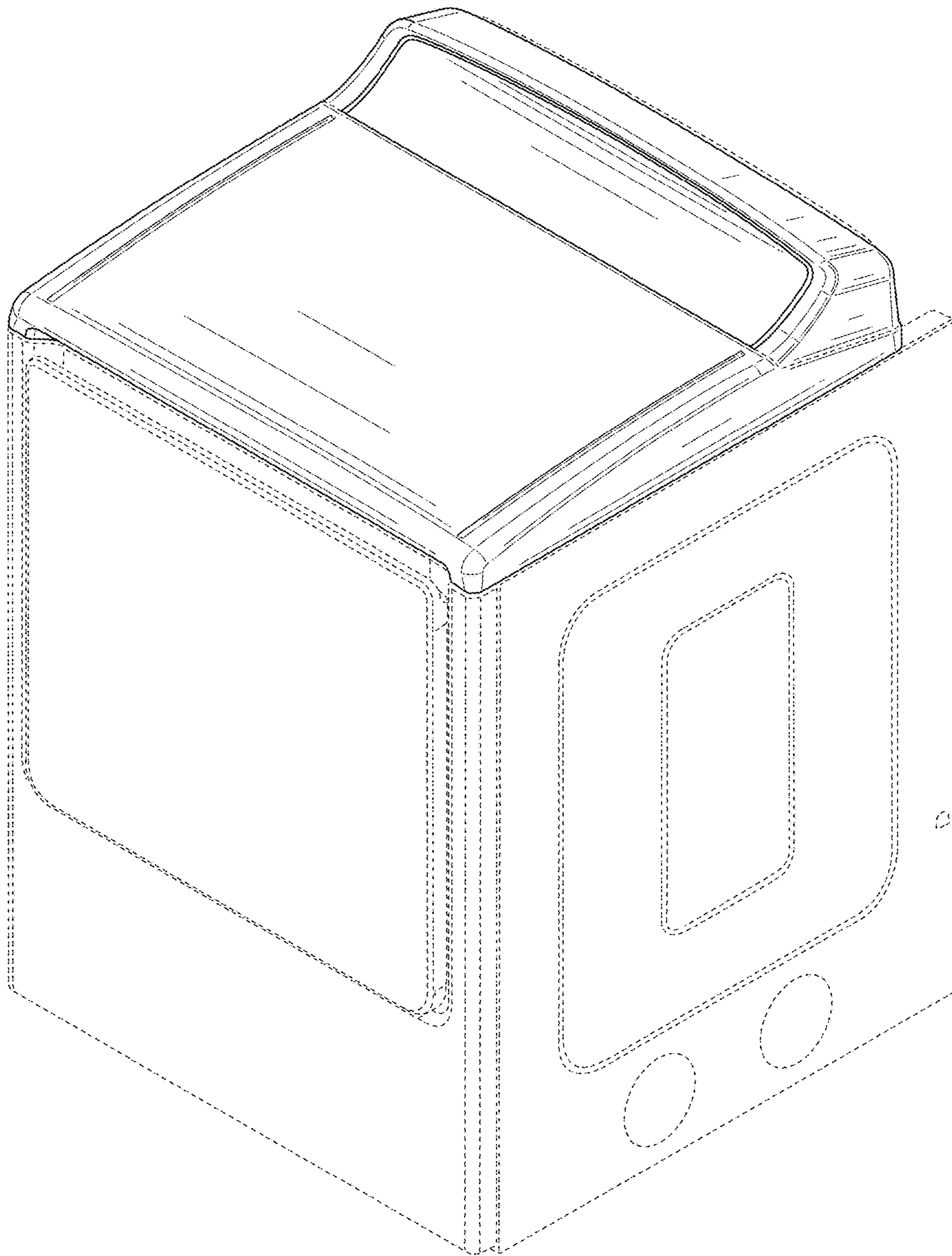
**DESCRIPTION**

FIG. 1 is a first top perspective view of the frontload drying appliance of the present invention;  
 FIG. 2 is a second top perspective view of the frontload drying appliance of the present invention;  
 FIG. 3 is a top plan view of the frontload drying appliance of the present invention;  
 FIG. 4 is a bottom plan view of the frontload drying appliance of the present invention;  
 FIG. 5 is a first side elevation view of the frontload drying appliance of the present invention;  
 FIG. 6 is a second side elevation view of the frontload drying appliance of the present invention;  
 FIG. 7 is a third side elevation view of the frontload drying appliance of the present invention; and,  
 FIG. 8 is a fourth side elevation view of the frontload drying appliance of the present invention.

The broken lines shown in the figures are for the purpose of illustrating unclaimed portions of the frontload drying appliance, and form no part of the claimed design.

**1 Claim, 8 Drawing Sheets**





**FIG. 1**

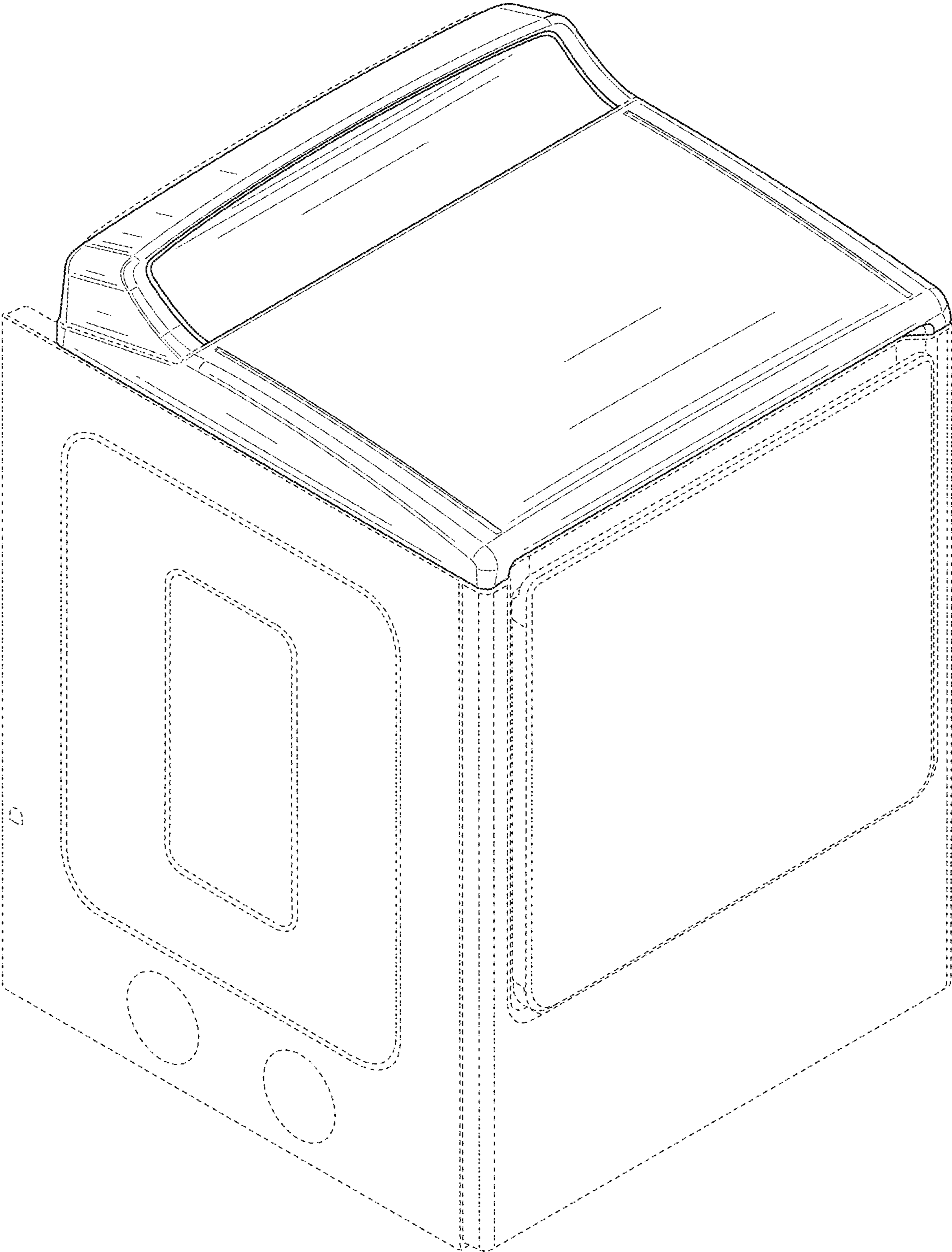


FIG. 2

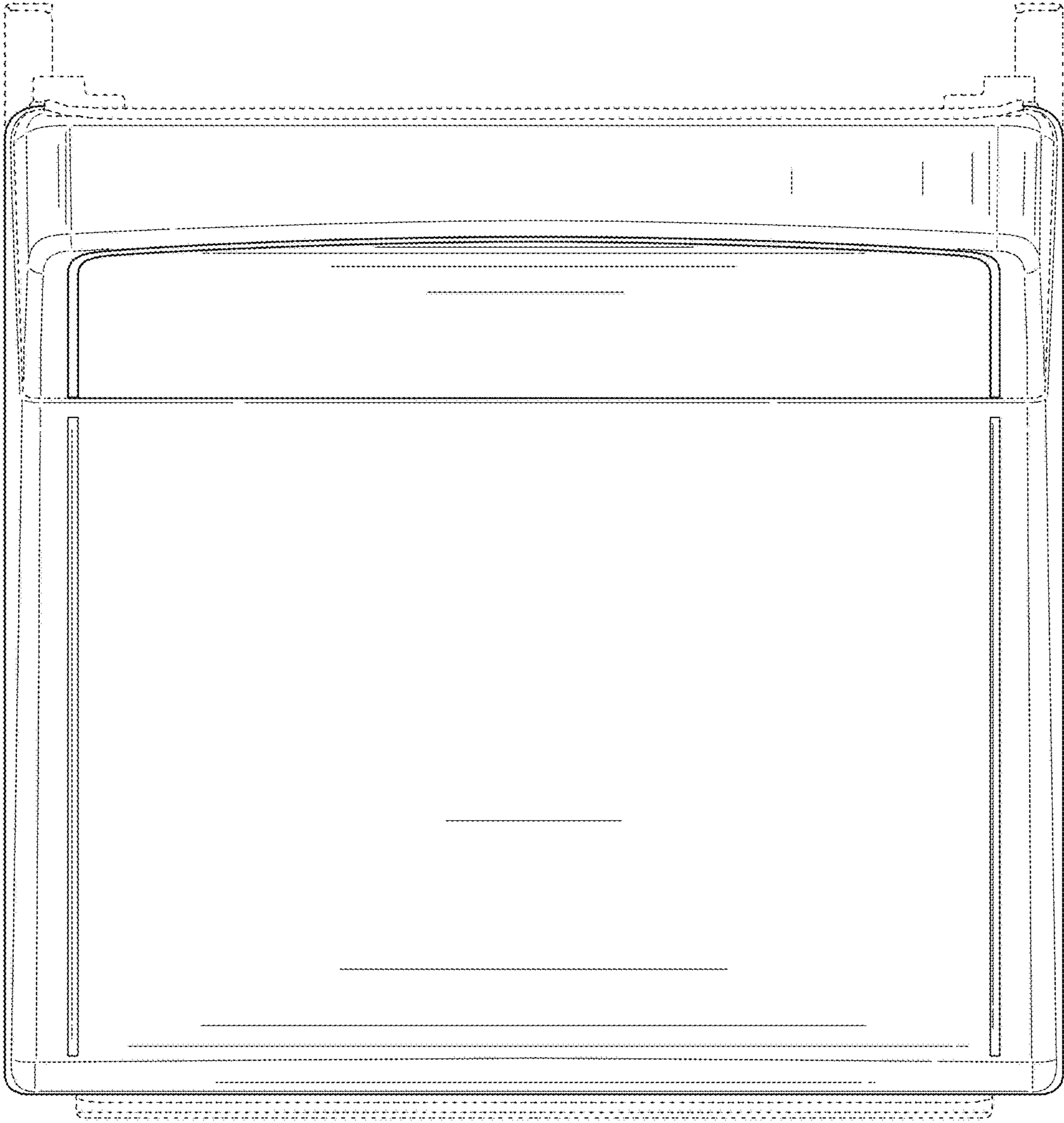


FIG. 3

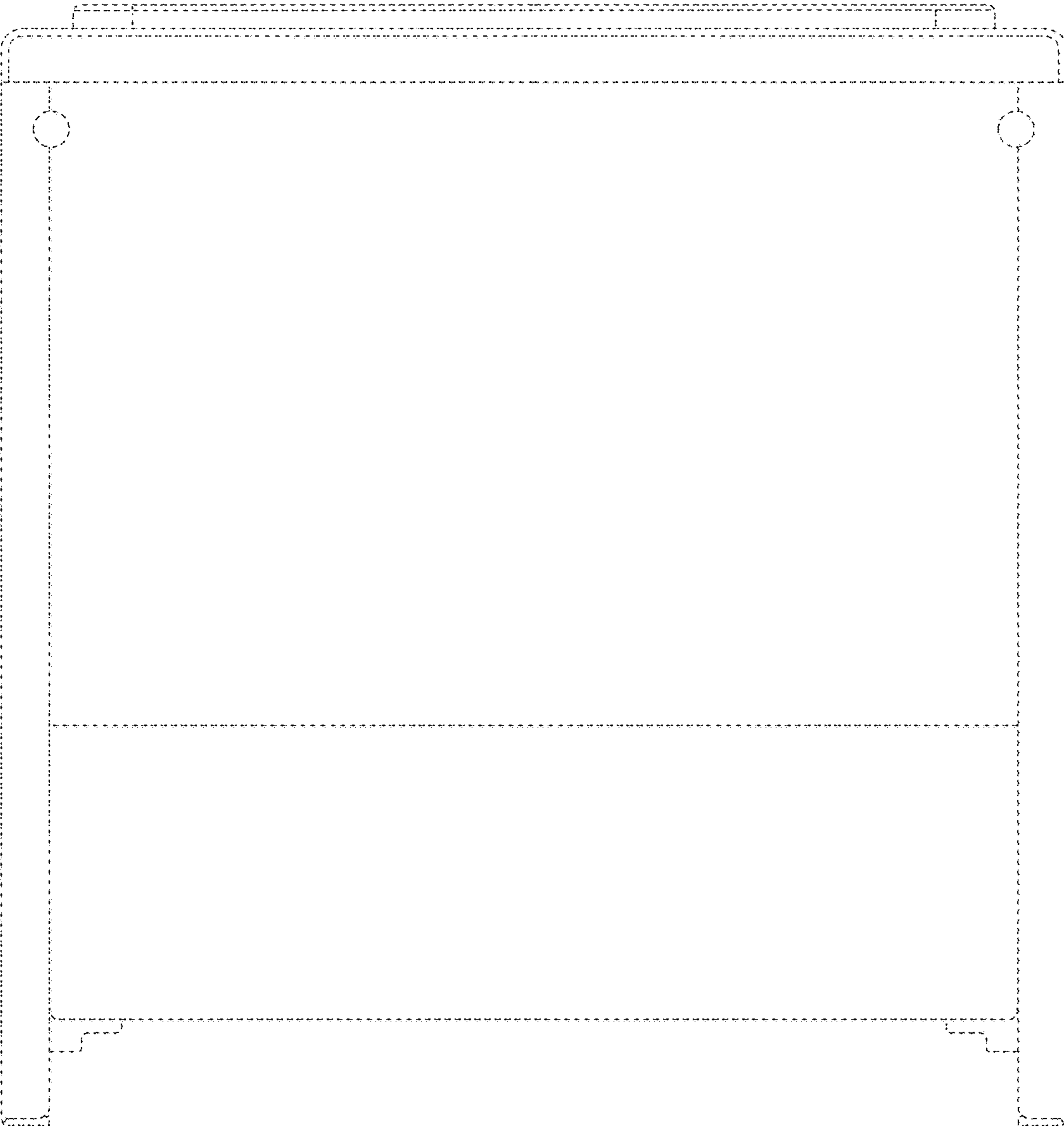


FIG. 4

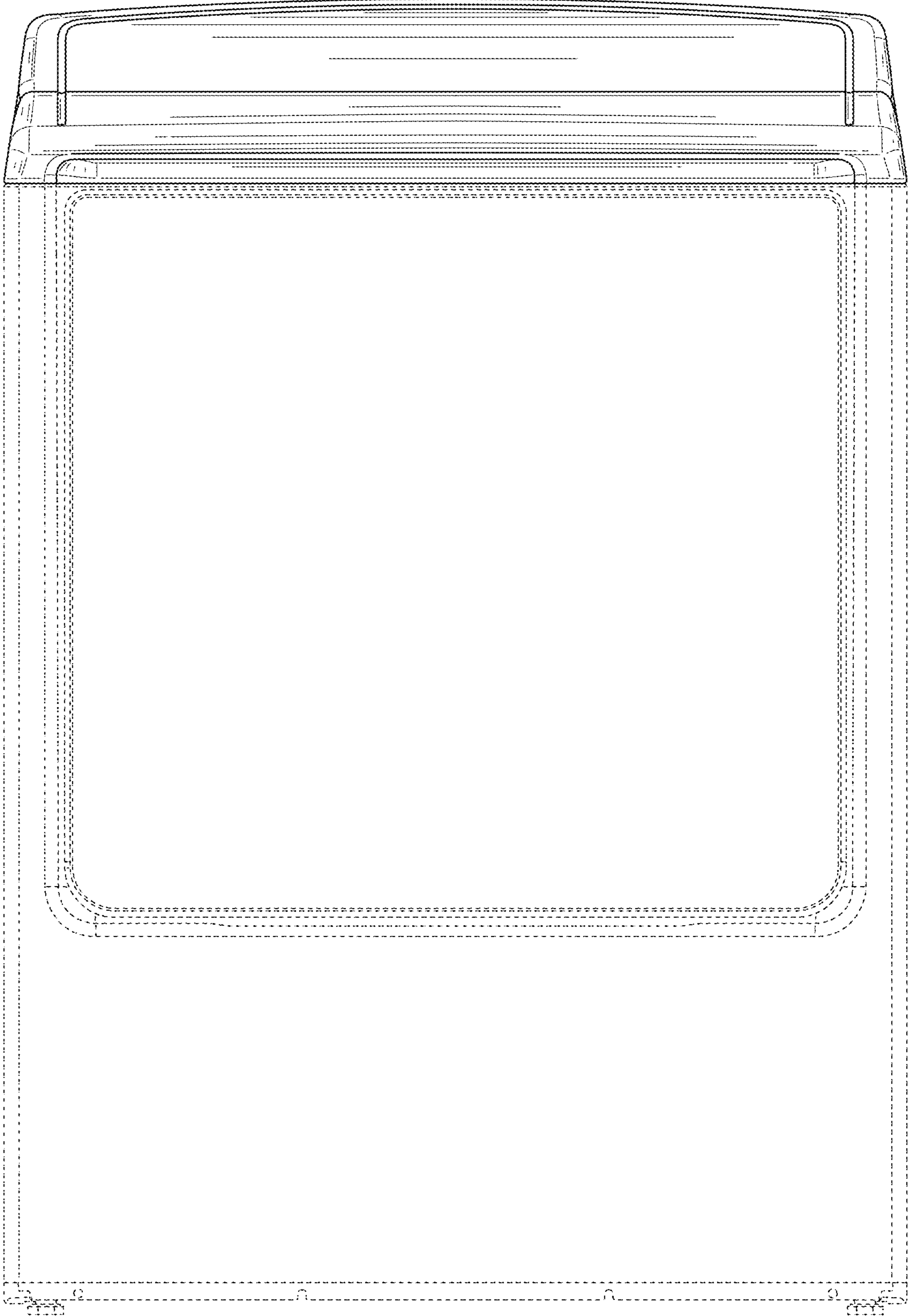


FIG. 5

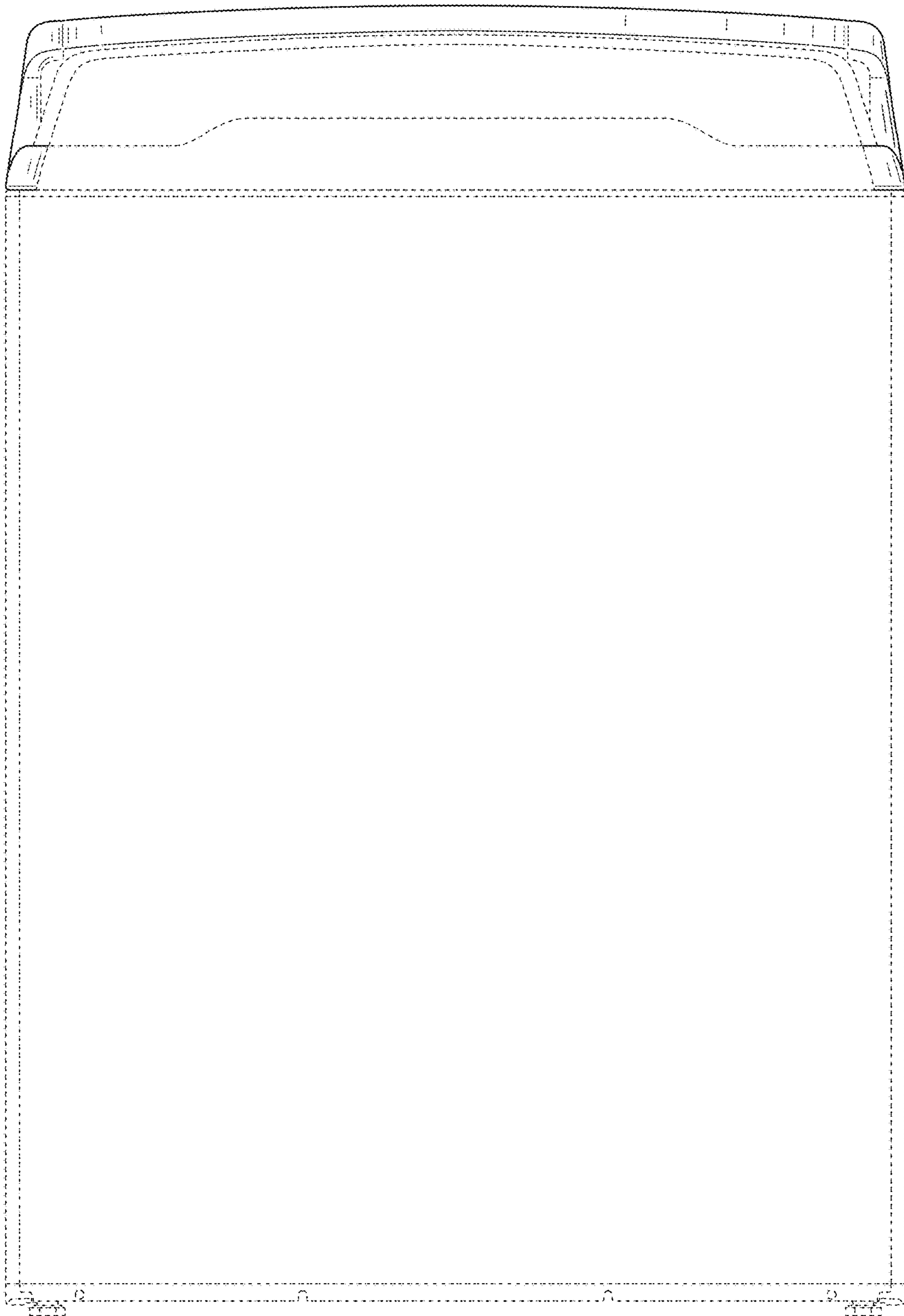


FIG. 6

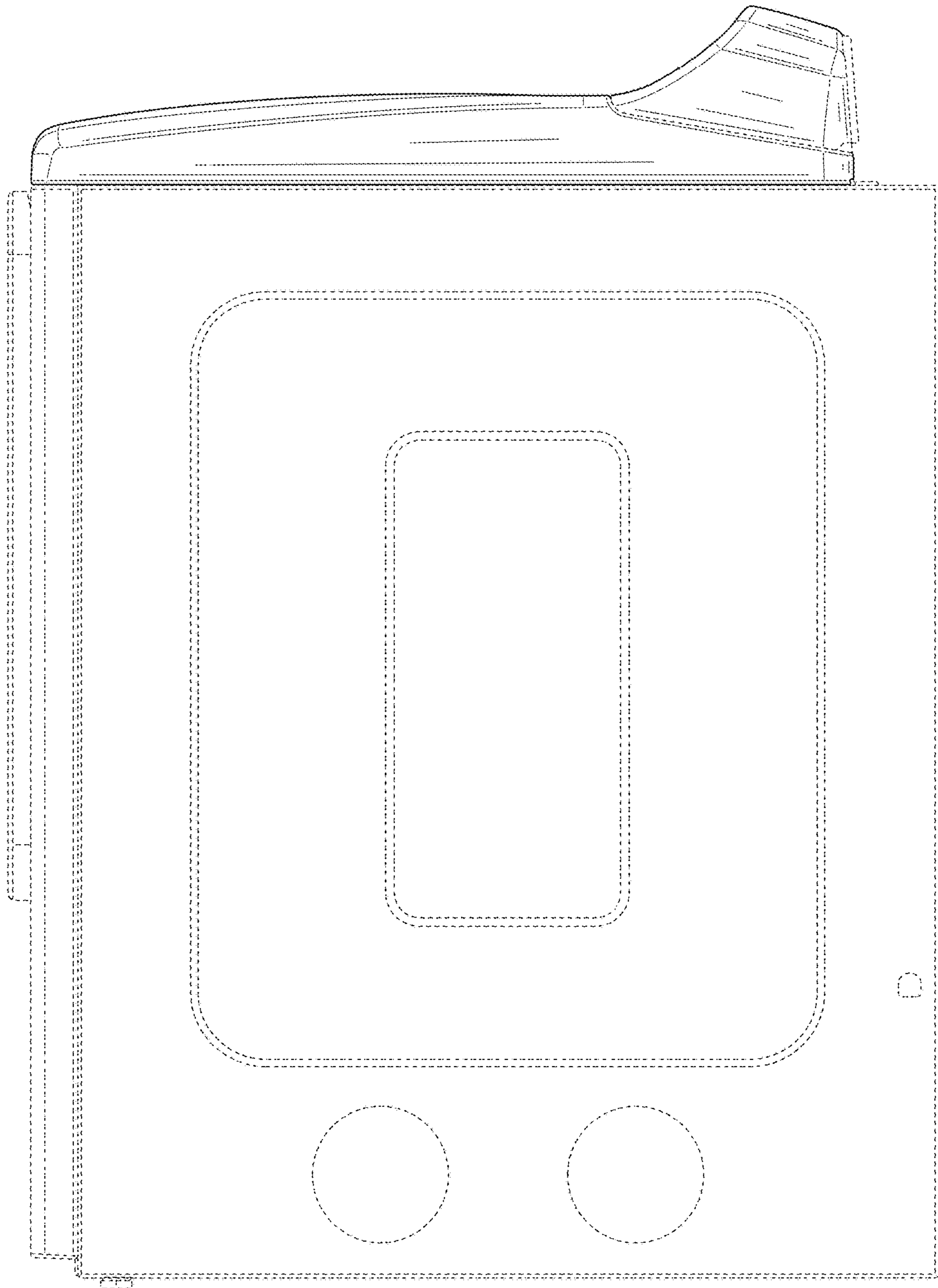


FIG. 7



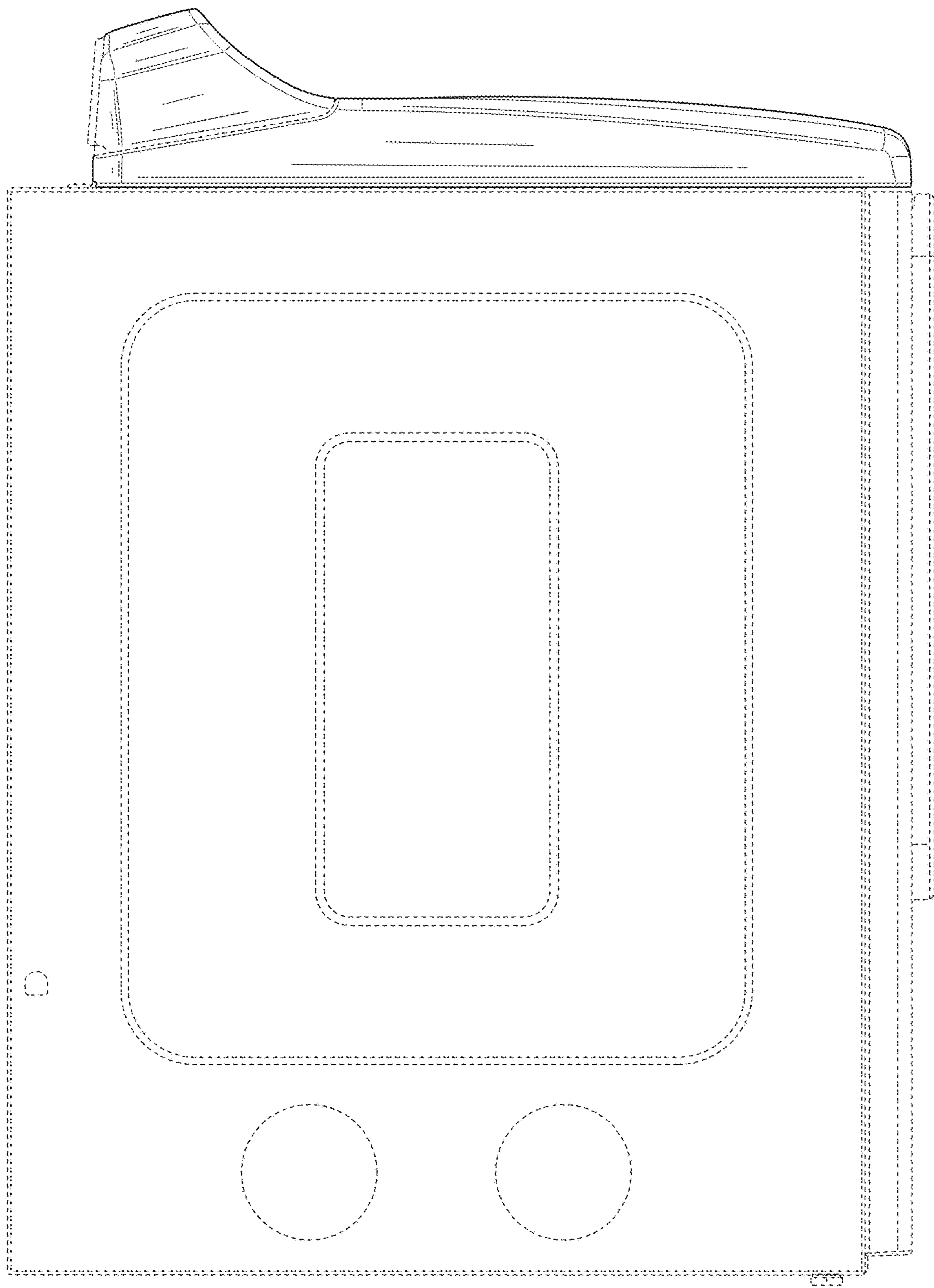


FIG. 8