



US00D812323S

(12) **United States Design Patent**
Bixby et al.

(10) **Patent No.:** **US D812,323 S**
(45) **Date of Patent:** **** Mar. 6, 2018**

(54) **FRONTLOAD DRYING APPLIANCE**

DESCRIPTION

- (71) Applicant: **Whirlpool Corporation**, Benton Harbor, MI (US)
- (72) Inventors: **Seth E. Bixby**, Stevensville, MI (US); **Richard K. Gresens**, Saint Joseph, MI (US); **John W. McConnell**, Saint Joseph, MI (US); **Patrick J. Schiavone**, Benton Harbor, MI (US); **Samuel B. Breneman**, Saint Joseph, MI (US)
- (73) Assignee: **Whirlpool Corporation**, Benton Harbor, MI (US)
- (**) Term: **14 Years**
- (21) Appl. No.: **29/499,805**
- (22) Filed: **Aug. 19, 2014**
- (51) **LOC (11) Cl.** **15-05**
- (52) **U.S. Cl.**
USPC **D32/8**
- (58) **Field of Classification Search**
USPC D32/1, 5-6, 8, 25, 28, 29
(Continued)

(56) **References Cited**

U.S. PATENT DOCUMENTS

- 3,196,553 A * 7/1965 Deaton D06F 58/28
337/340
- 3,972,130 A * 8/1976 Mason D06F 58/28
34/527

(Continued)

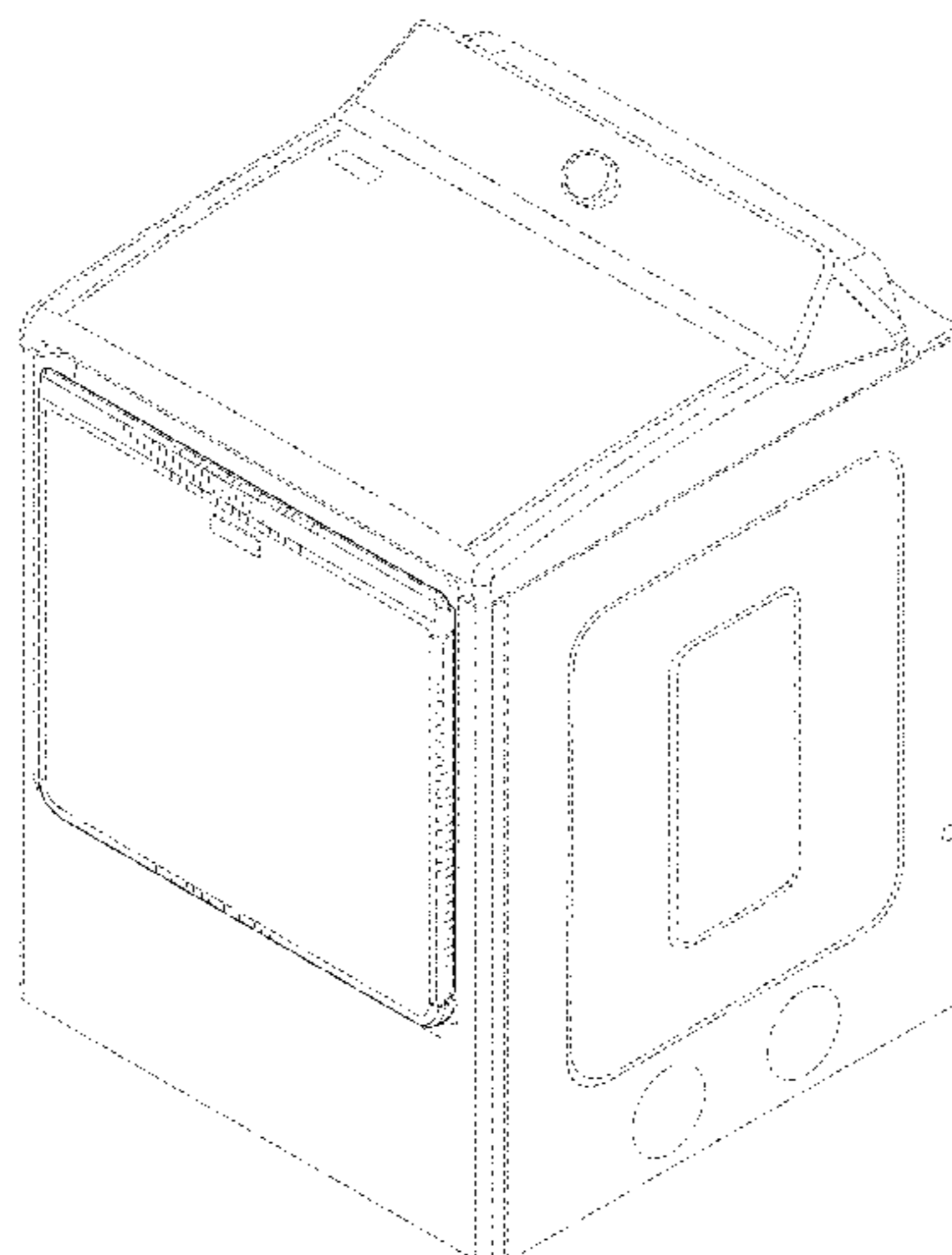
Primary Examiner — Michael A. Pratt
Assistant Examiner — Michelle E Wilson
(74) *Attorney, Agent, or Firm* — Price Heneveld LLP

(57) **CLAIM**

We claim the ornamental design for a frontload drying appliance, as shown.

FIG. 1 is a first top perspective view of the frontload drying appliance of the present invention; FIG. 2 is a second top perspective view of the frontload drying appliance of the present invention; FIG. 3 is a top plan view of the frontload drying appliance of the present invention; FIG. 4 is a bottom plan view of the frontload drying appliance of the present invention; FIG. 5 is a first side elevation view of the frontload drying appliance of the present invention; FIG. 6 is a second side elevation view of the frontload drying appliance of the present invention; FIG. 7 is a third side elevation view of the frontload drying appliance of the present invention; FIG. 8 is a fourth side elevation view of the frontload drying appliance of the present invention; FIG. 9 is a first top perspective view of the frontload drying appliance of an alternative embodiment of the present invention; FIG. 10 is a second top perspective view of the frontload drying appliance of an alternative embodiment of the present invention; FIG. 11 is a top plan view of the frontload drying appliance of an alternative embodiment of the present invention; FIG. 12 is a bottom plan view of the frontload drying appliance of an alternative embodiment of the present invention; FIG. 13 is a first side elevation view of the frontload drying appliance of an alternative embodiment of the present invention; FIG. 14 is a second side elevation view of the frontload drying appliance of an alternative embodiment of the present invention; FIG. 15 is a third side elevation view of the frontload drying appliance of an alternative embodiment of the present invention; and, FIG. 16 is a fourth side elevation view of the frontload drying appliance of an alternative embodiment of the present invention. The dot-dash lines included in the embodiment of FIGS. 9-16 are boundary lines that form part of the claim. The broken lines in the figures show portions of the frontload drying appliance that are not part of the claimed design.

1 Claim, 16 Drawing Sheets



(58) **Field of Classification Search**

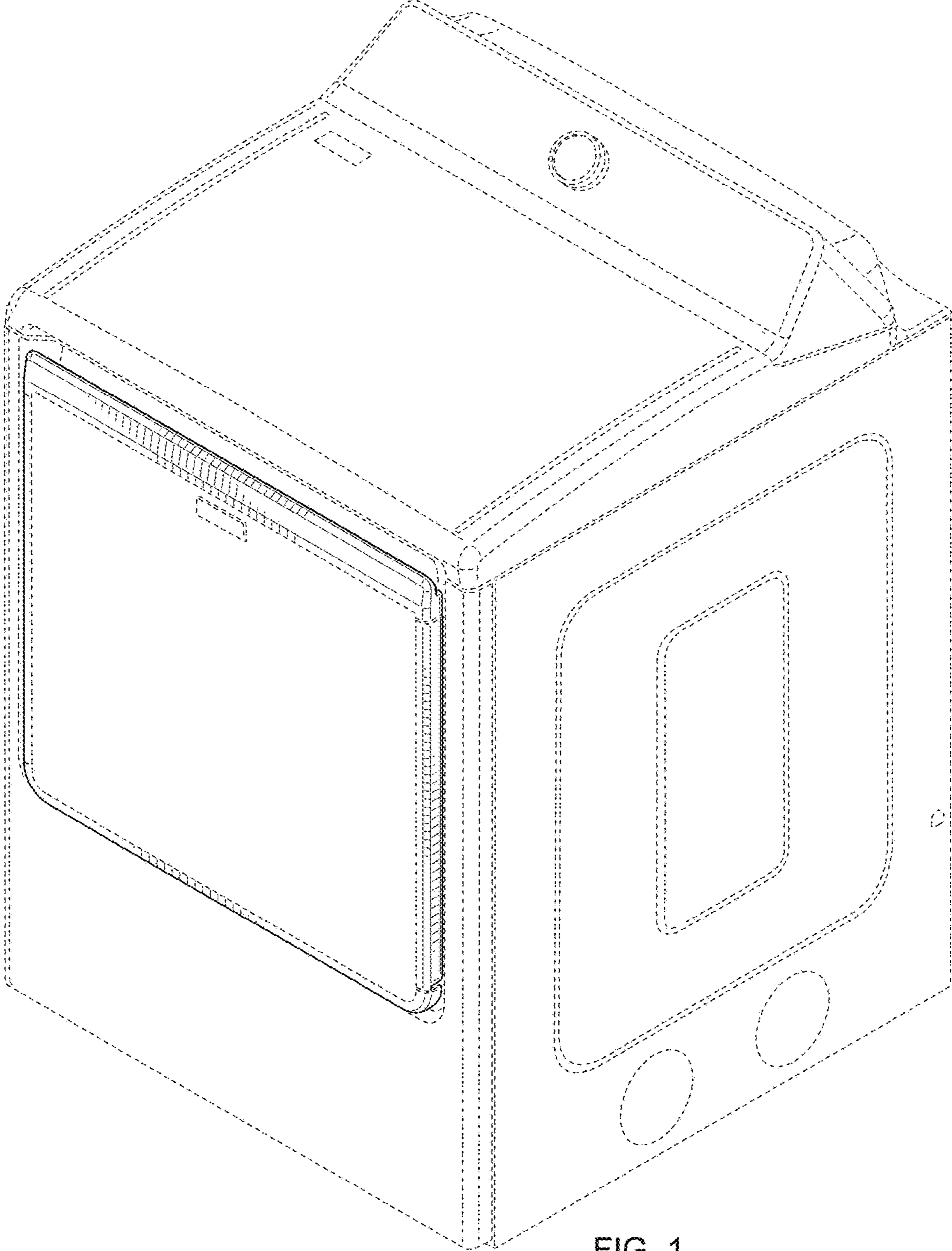
CPC D06F 58/00; D06F 58/02; D06F 58/04;
D06F 58/20; D06F 23/04; G05B 19/042
See application file for complete search history.

(56) **References Cited**

U.S. PATENT DOCUMENTS

4,213,250 A * 7/1980 Hawkins D06F 58/28
219/492
D292,630 S * 11/1987 Nagai D32/8
D360,500 S * 7/1995 Millet D32/5
D360,716 S * 7/1995 Ertz D32/8
D575,464 S * 8/2008 Rossetto D32/8
D661,852 S * 6/2012 Song D32/8
D701,659 S * 3/2014 Choi D32/8
D703,887 S * 4/2014 Lee D32/8
D730,597 S * 5/2015 Jeon D32/8

* cited by examiner



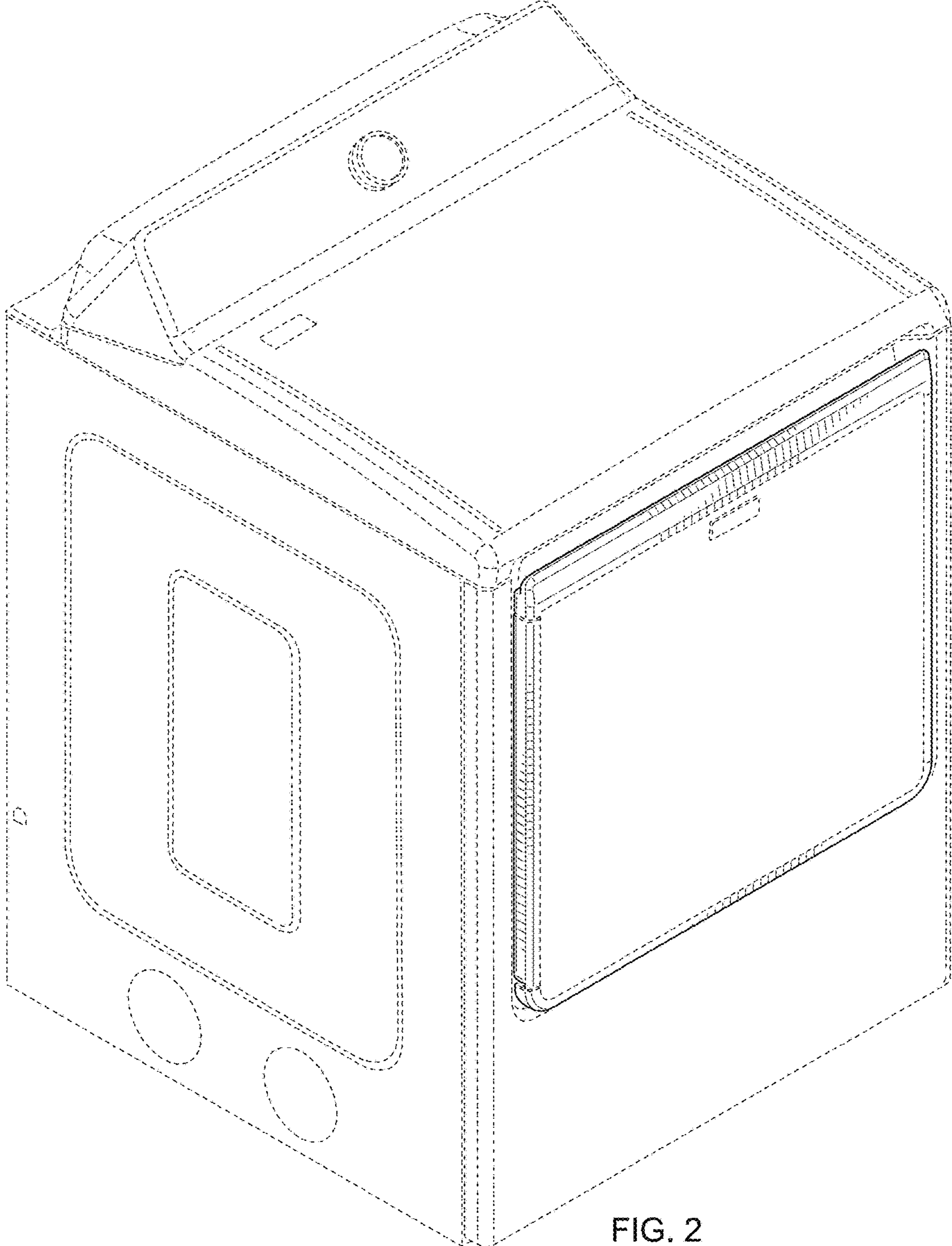


FIG. 2

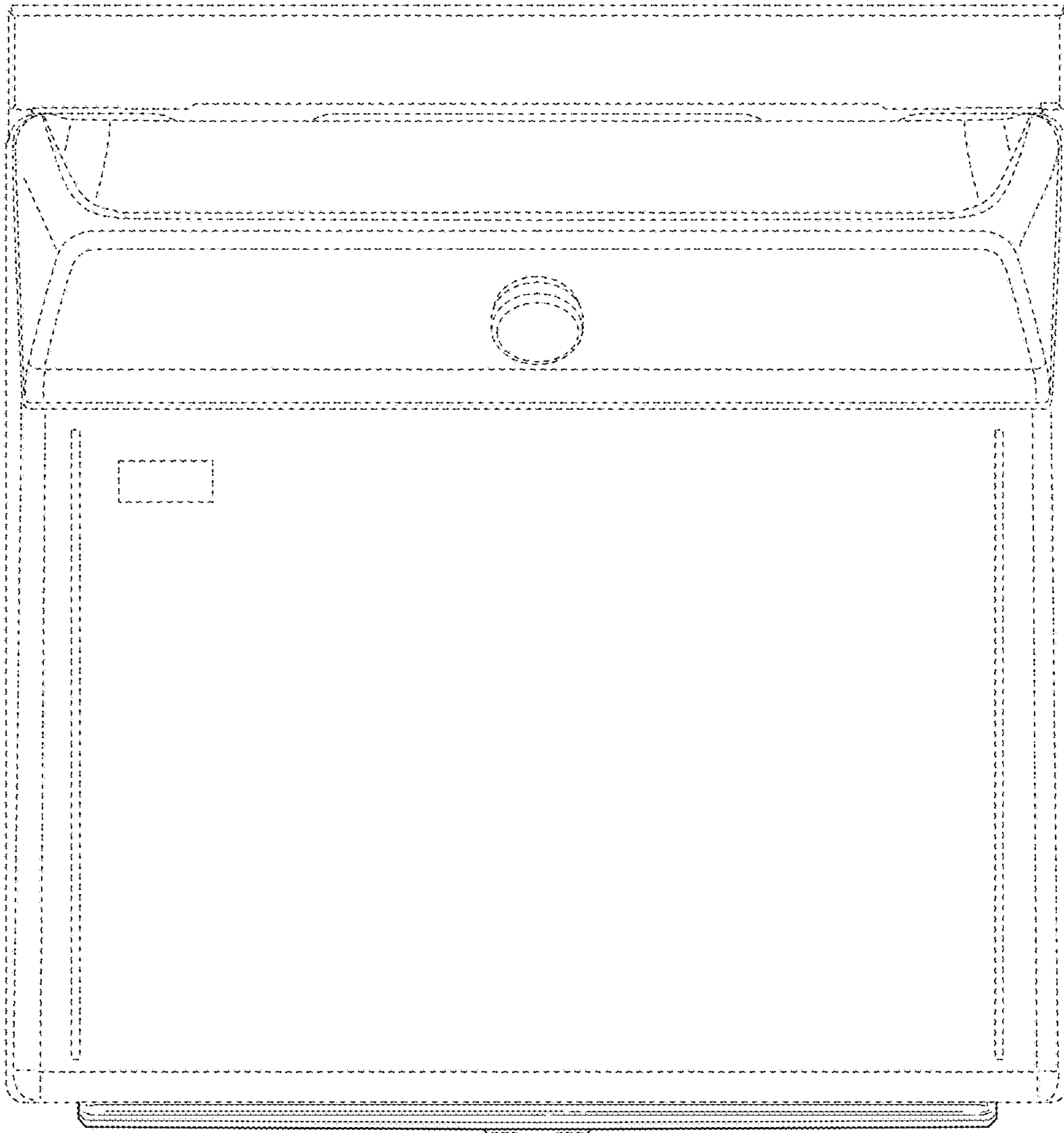


FIG. 3

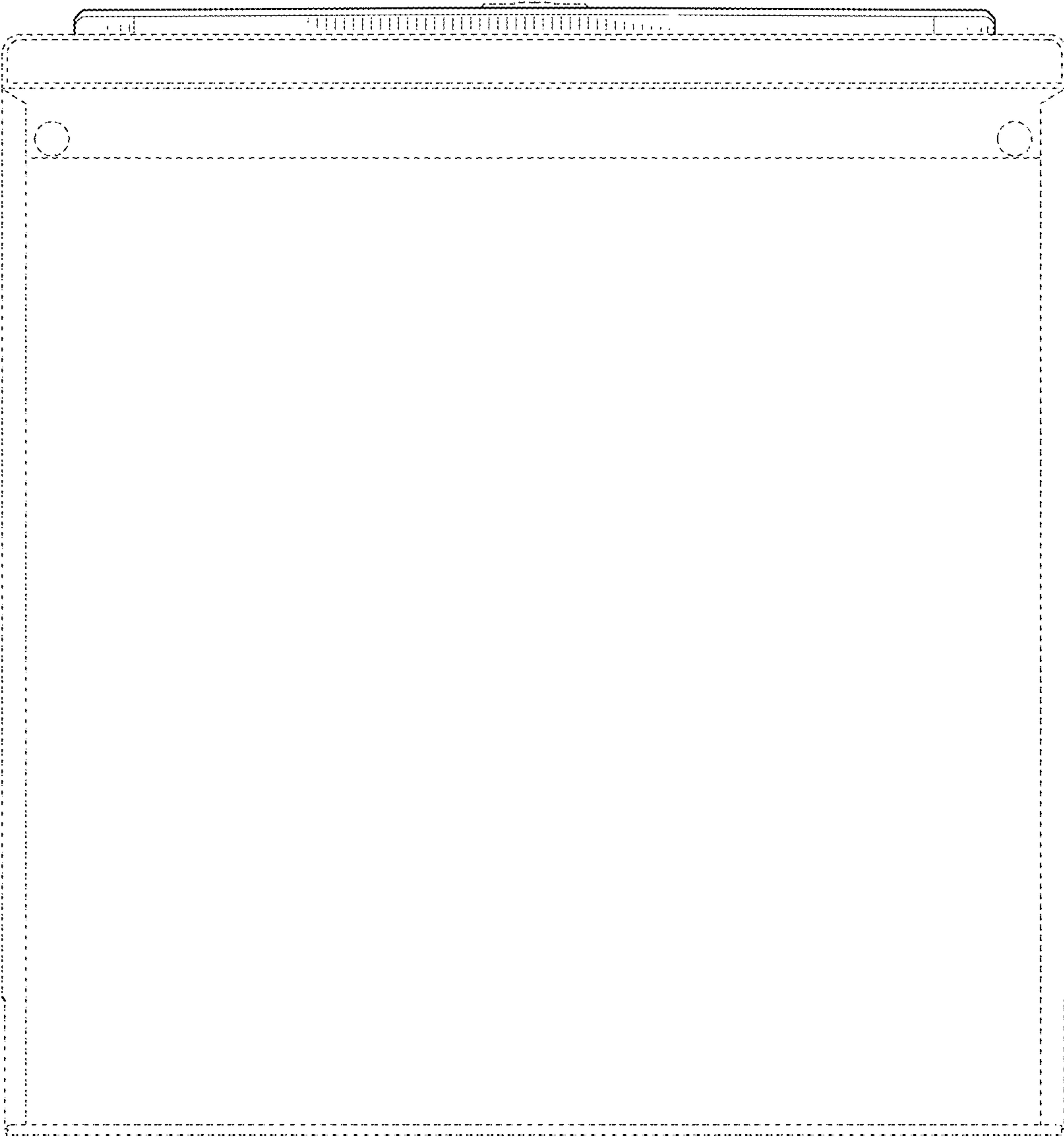


FIG. 4

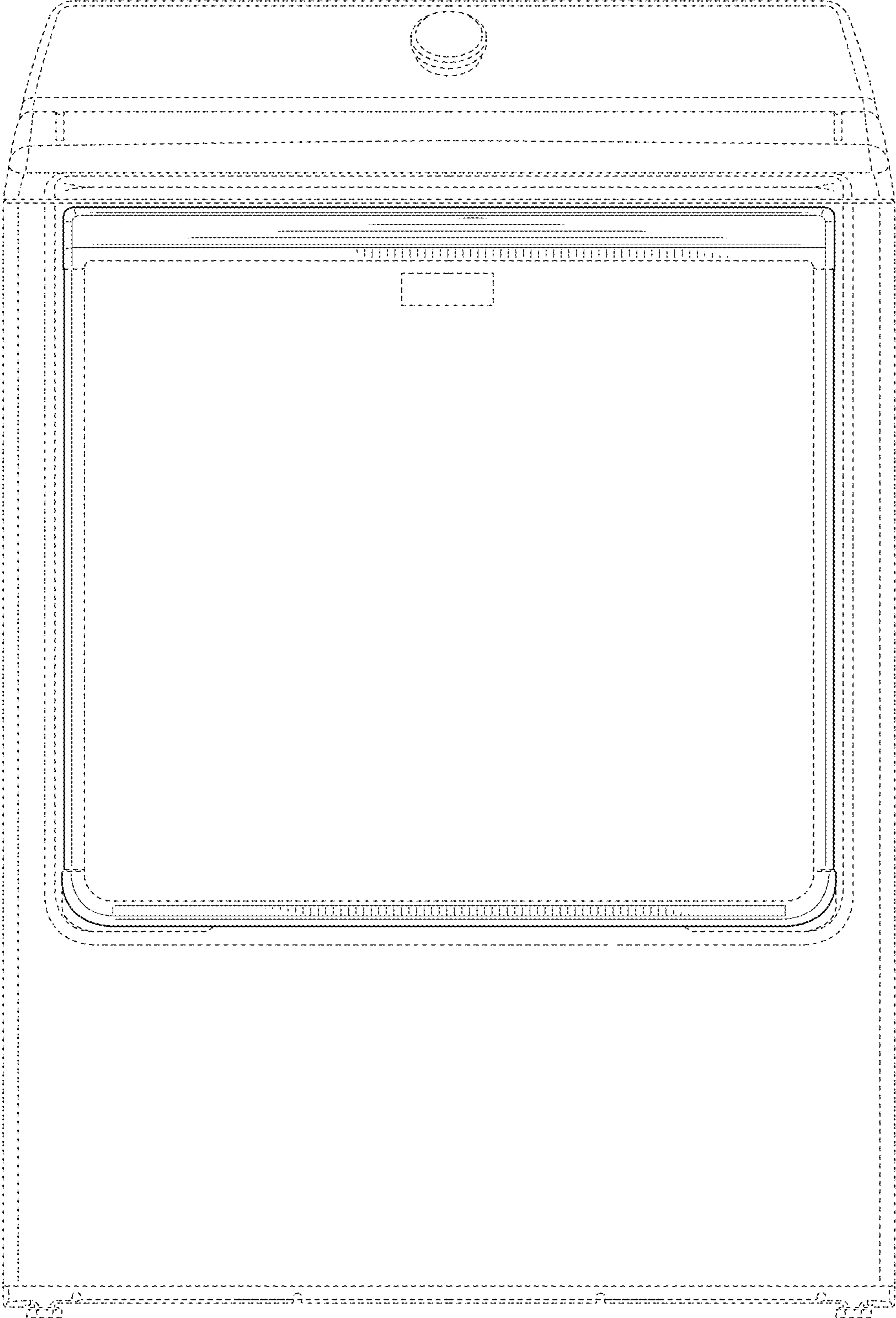


FIG. 5

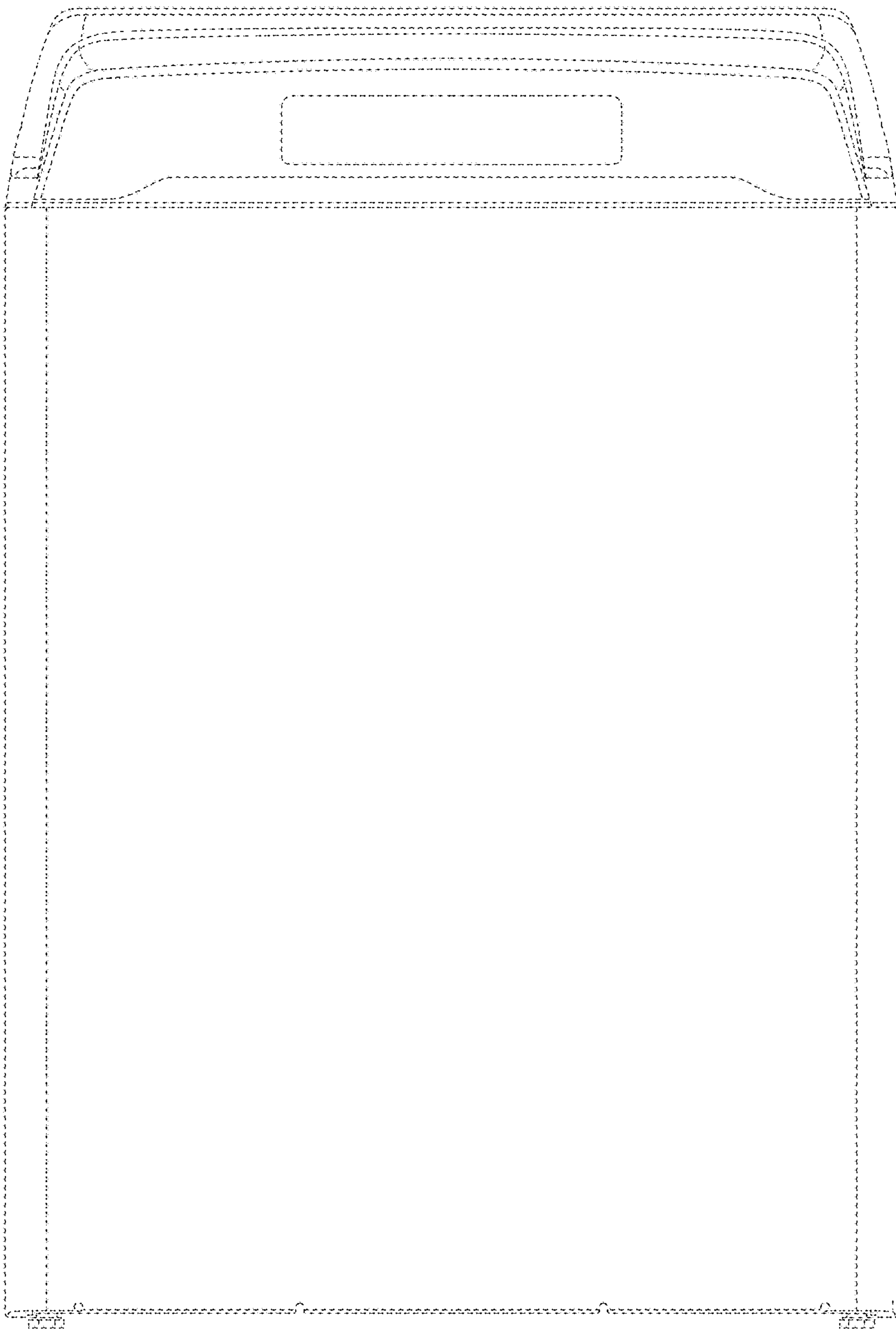


FIG. 6

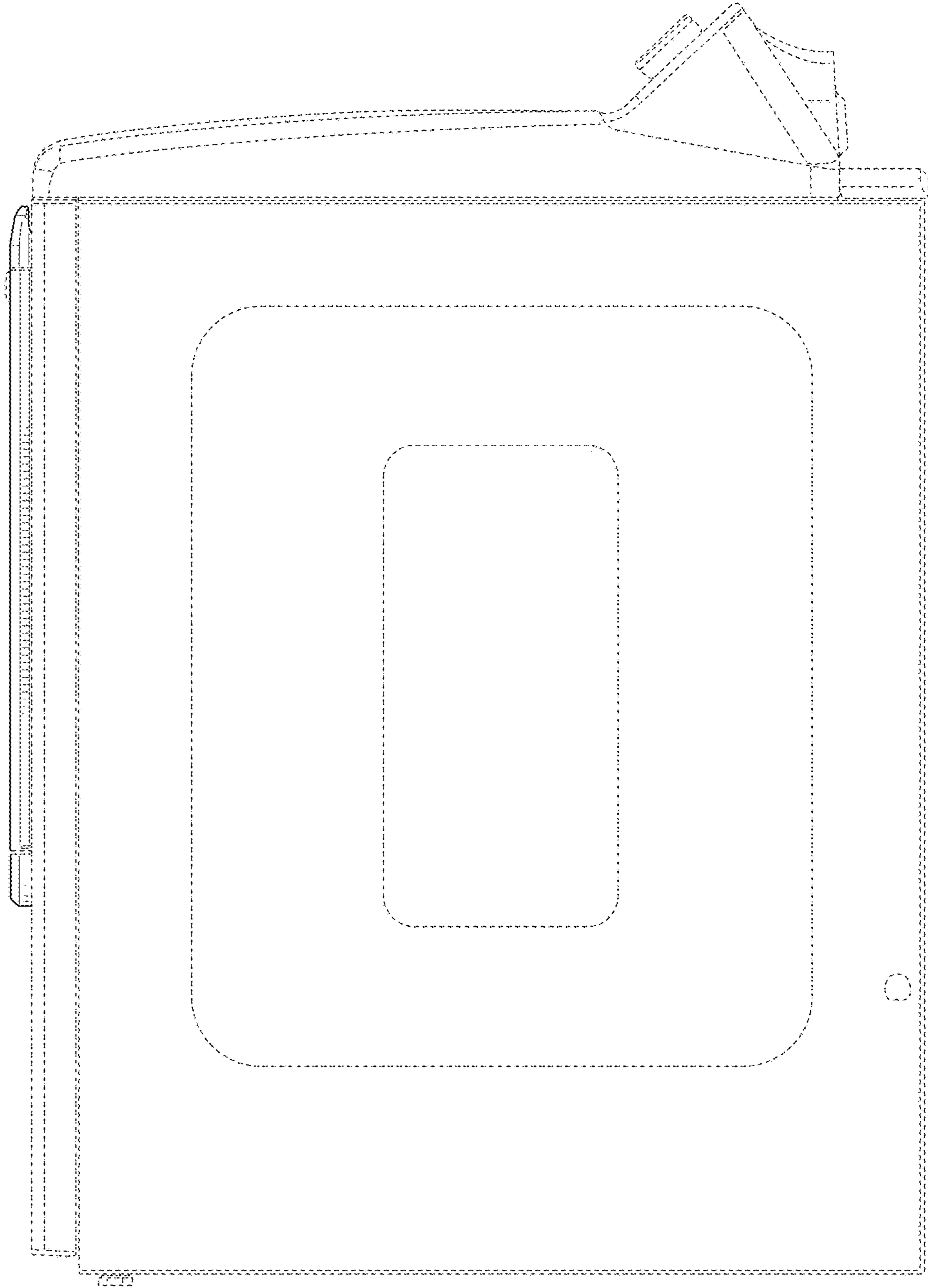


FIG. 7

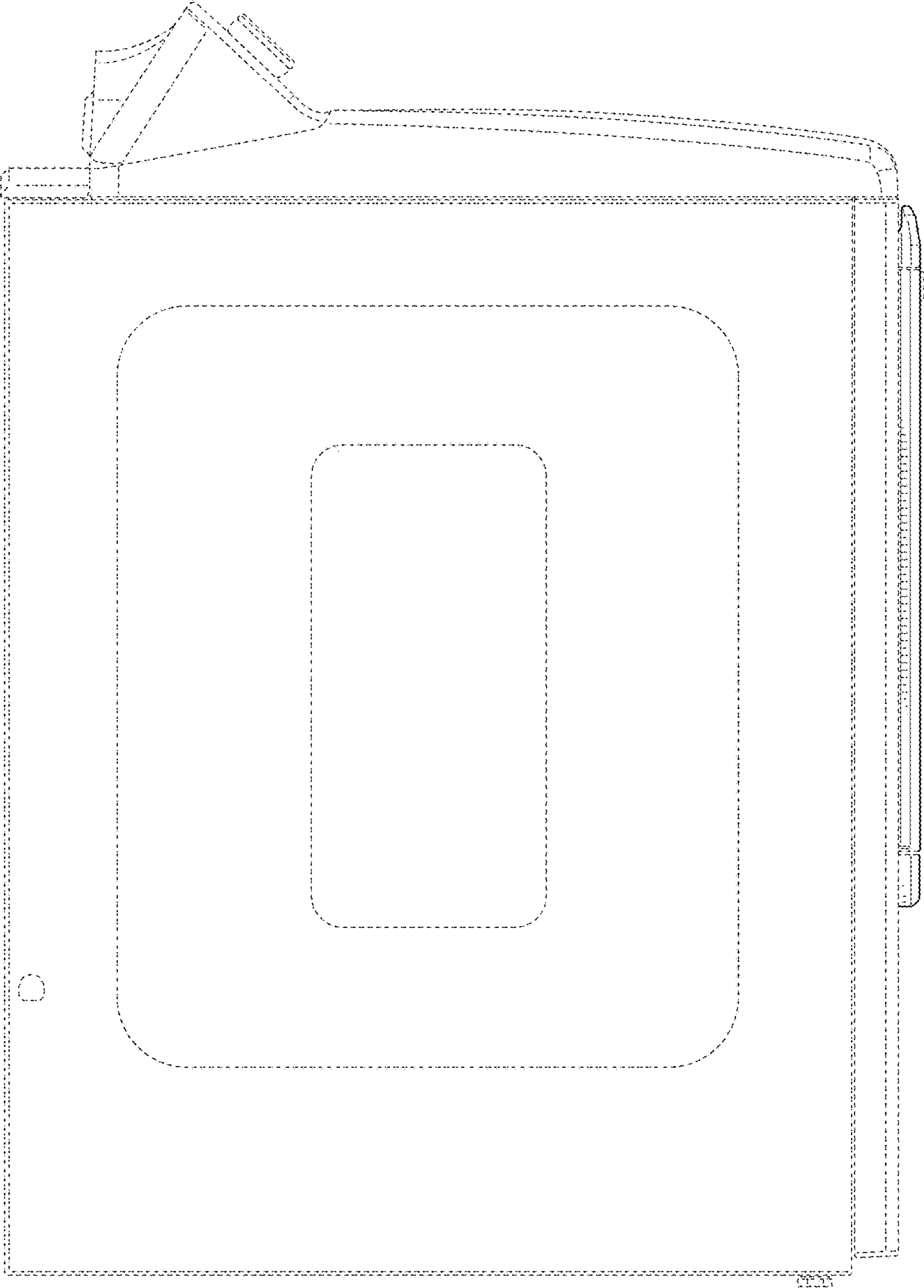


FIG. 8

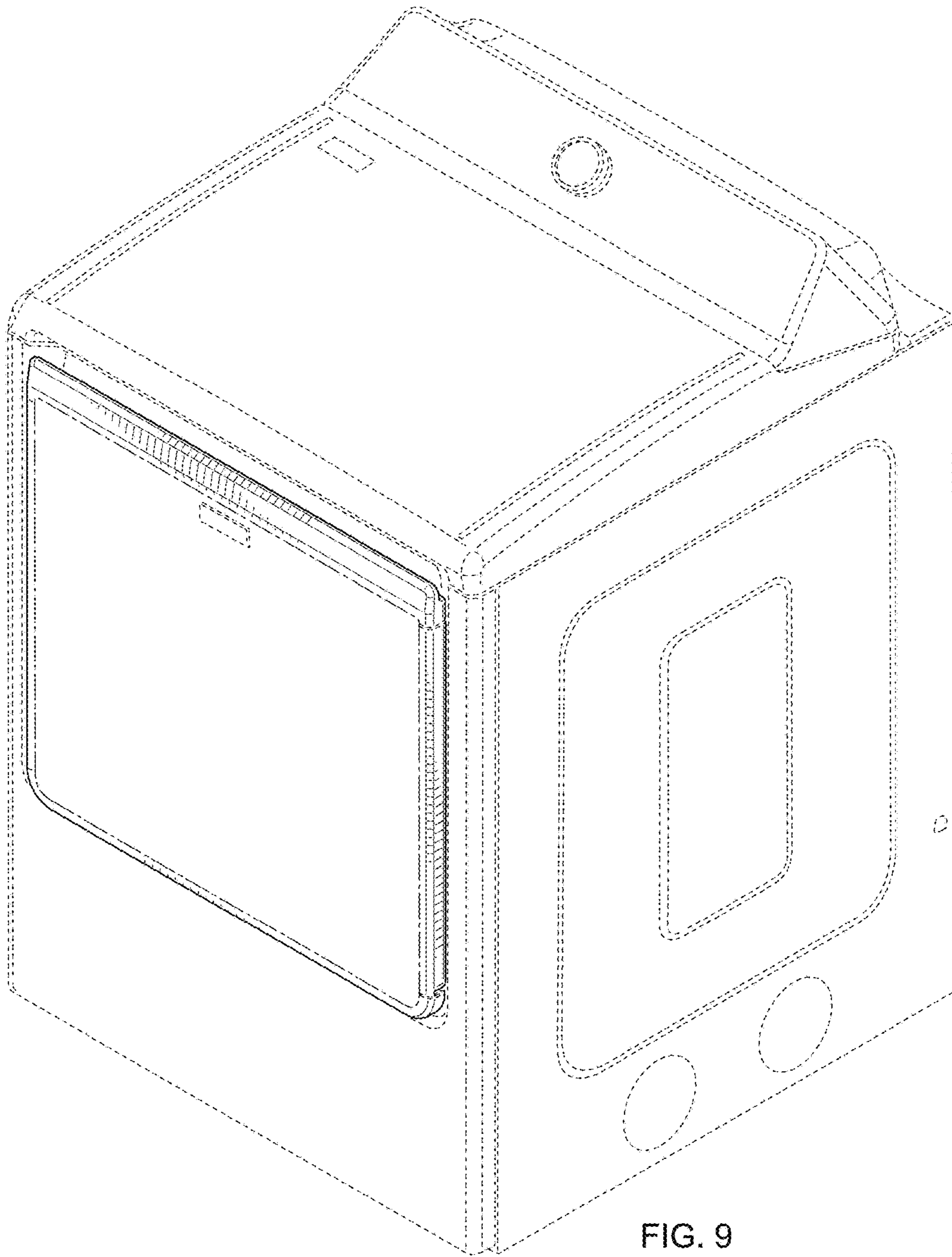


FIG. 9

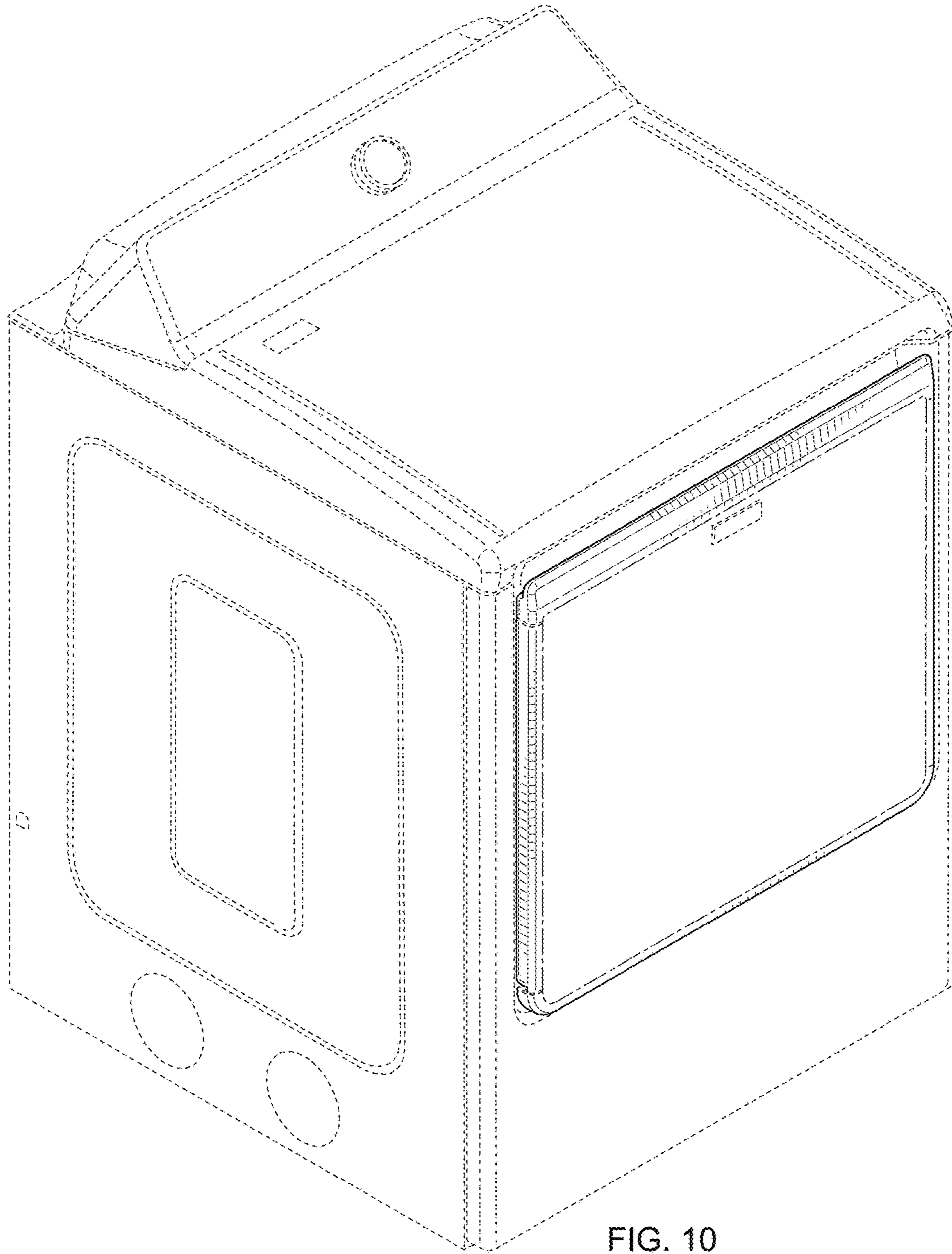


FIG. 10

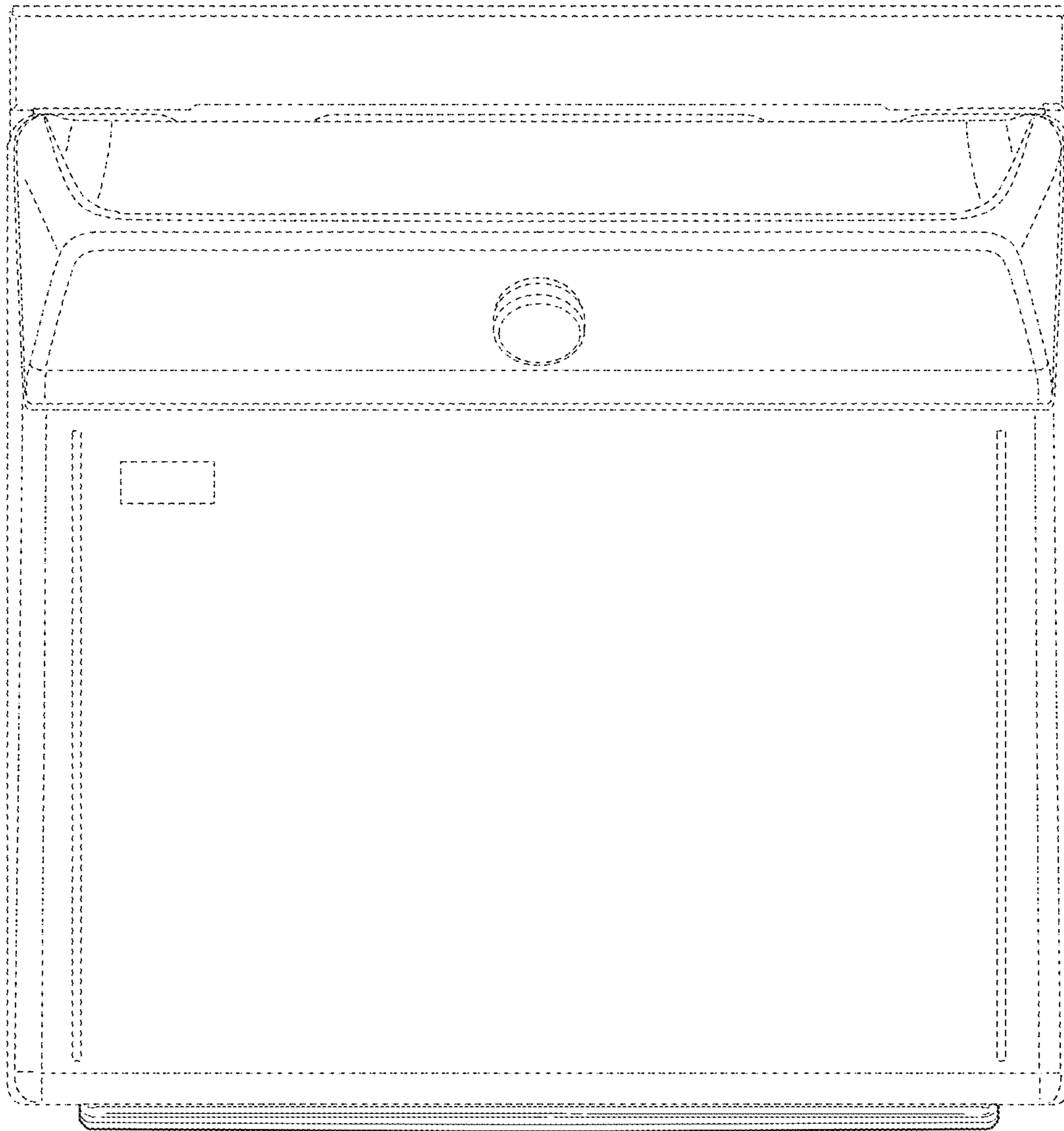


FIG. 11

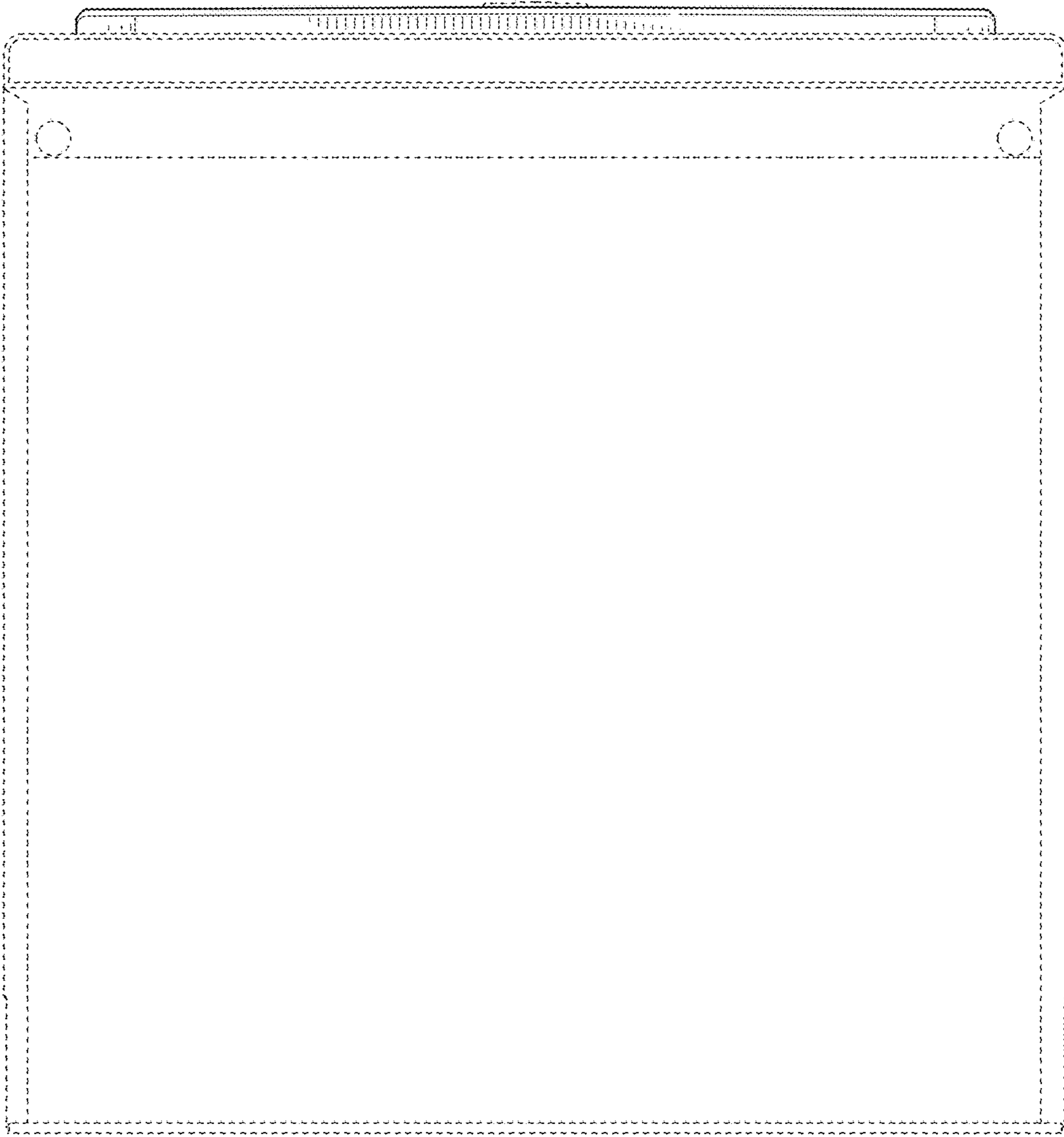


FIG. 12

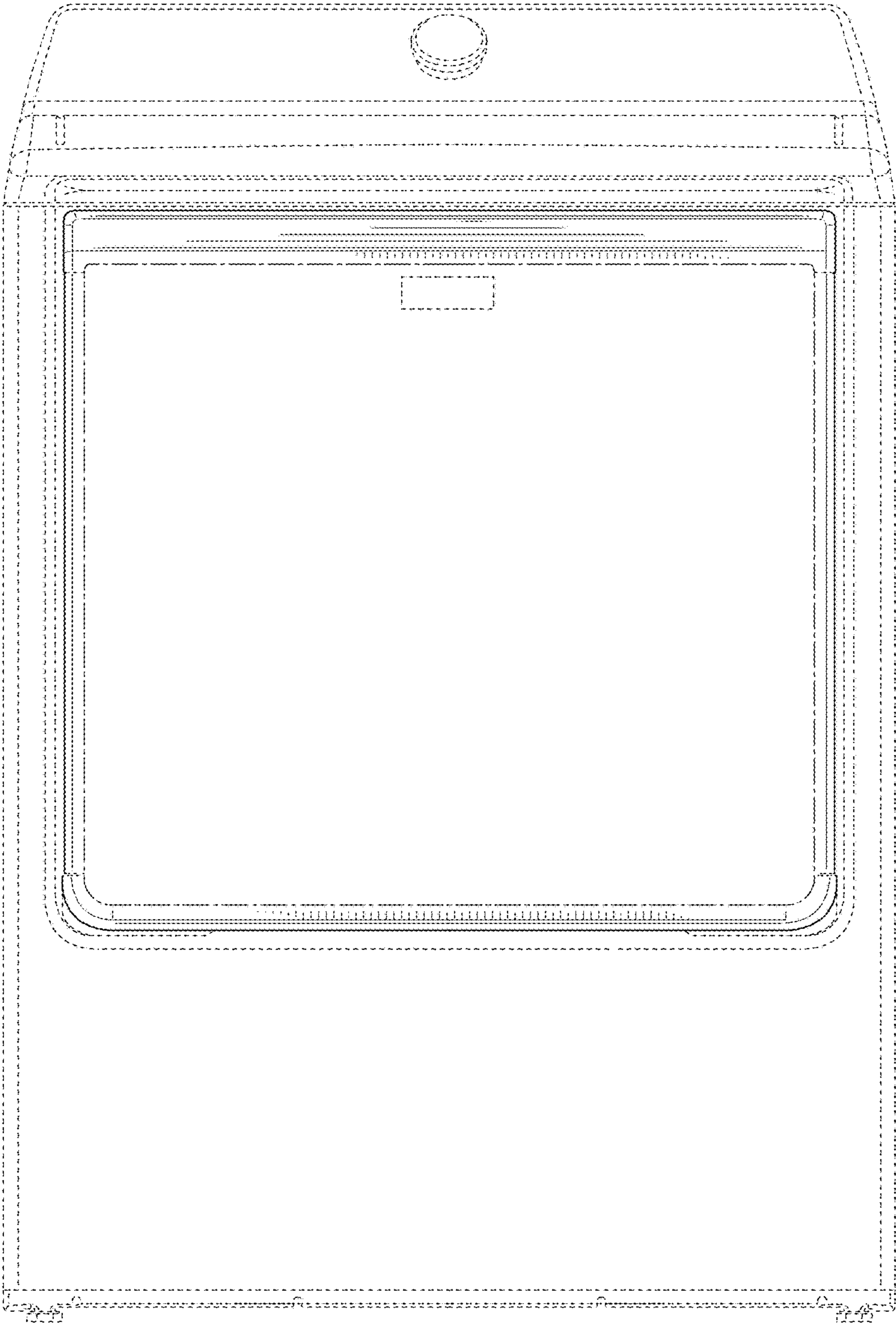


FIG. 13

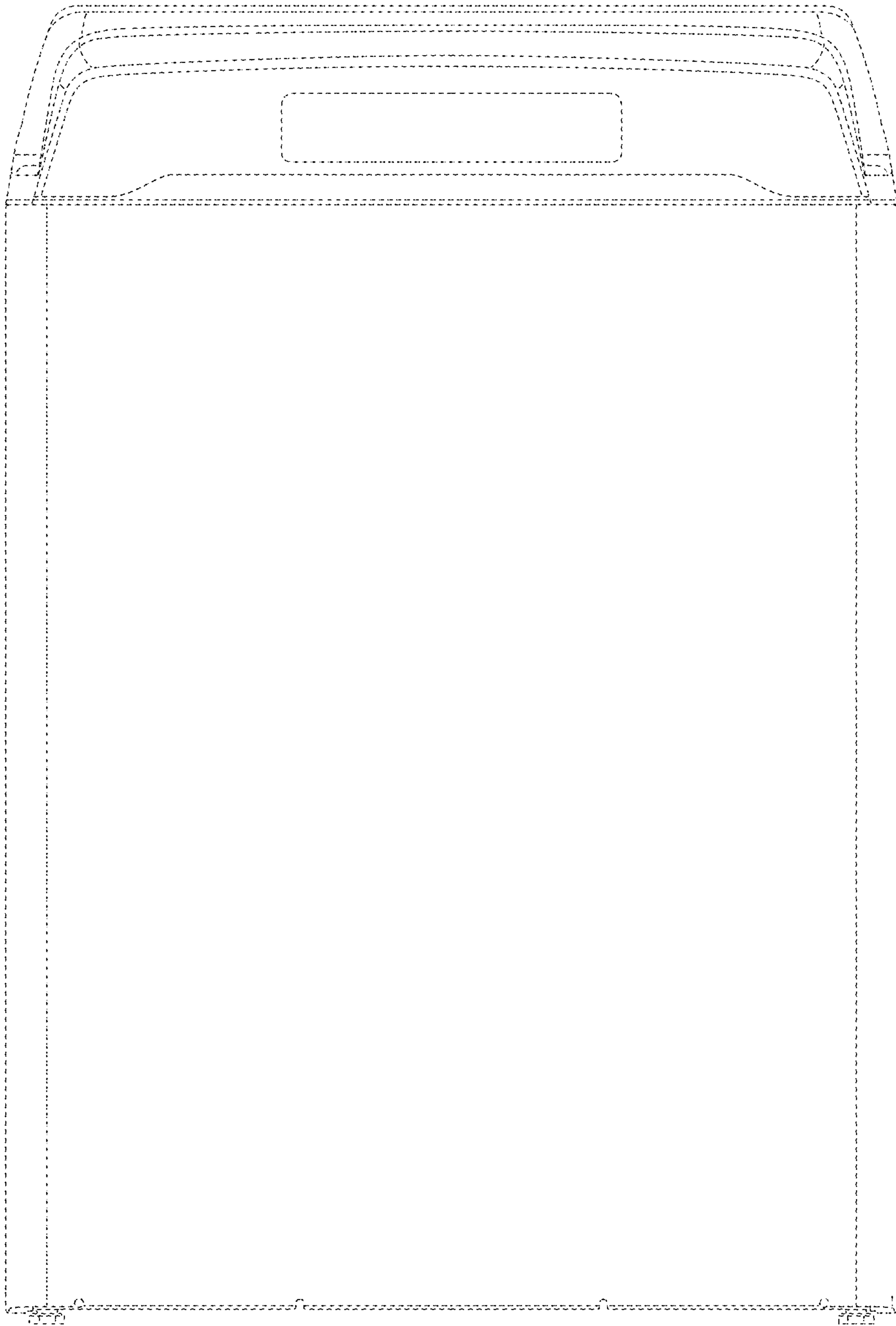


FIG. 14

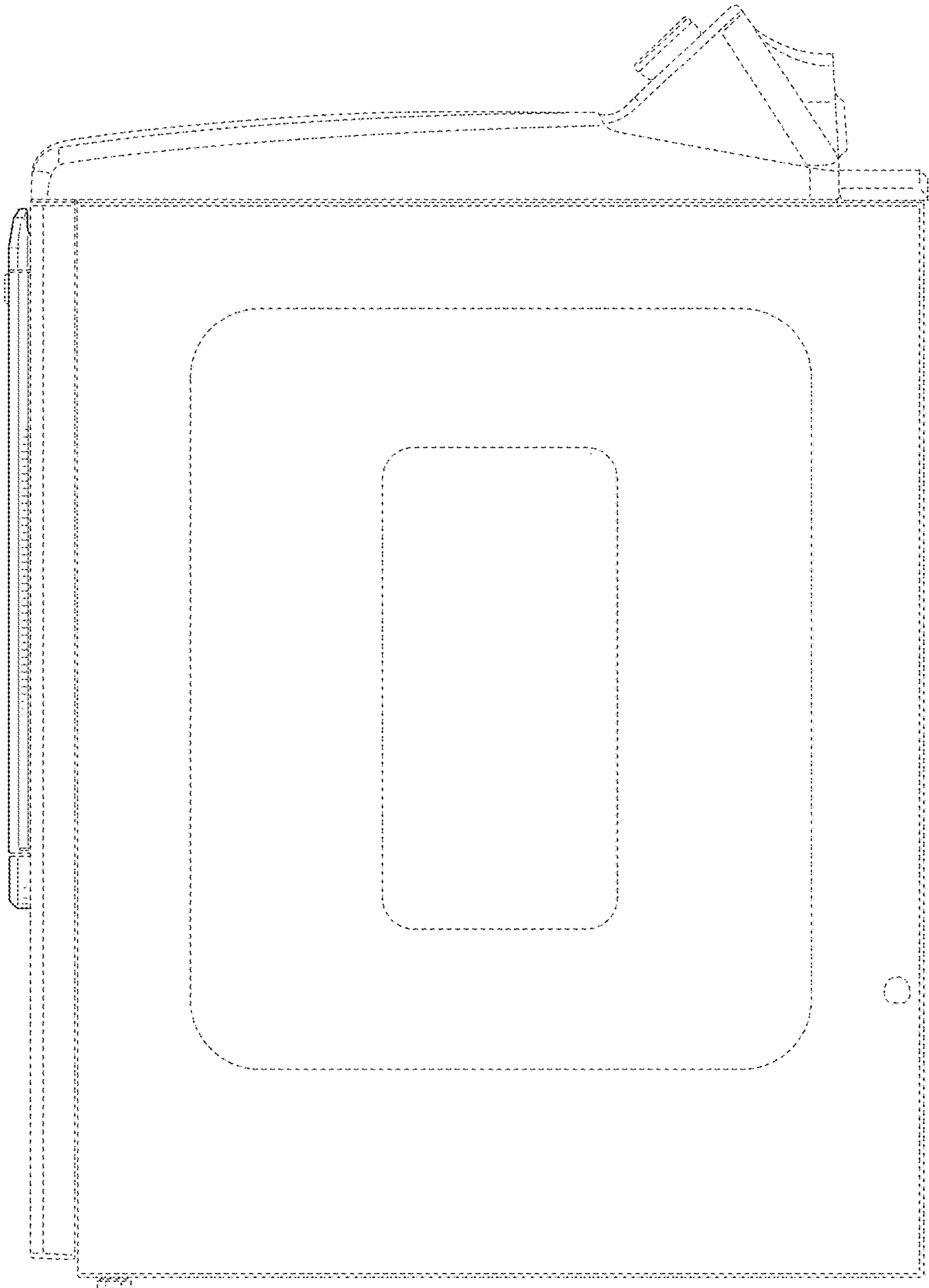


FIG. 15

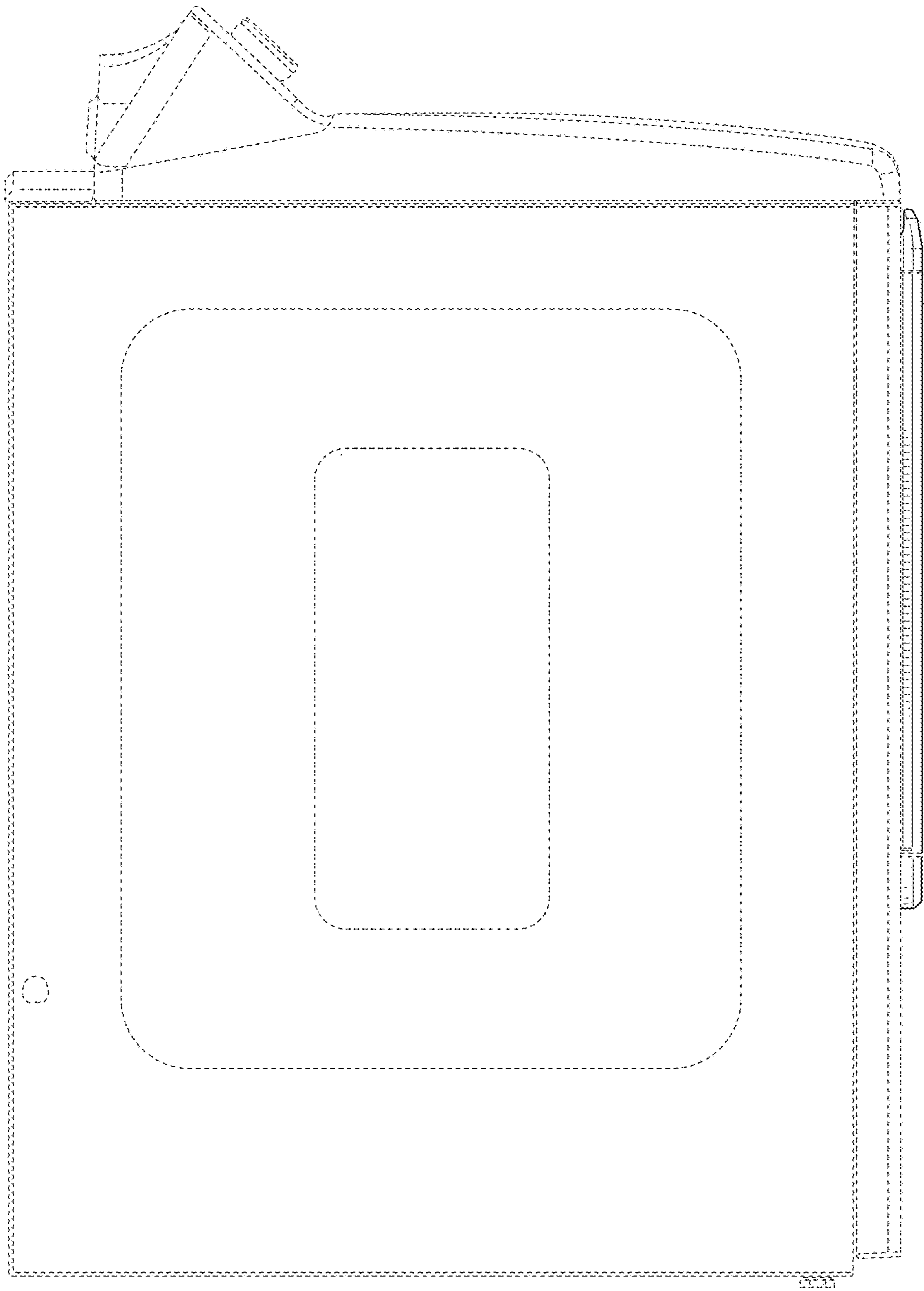


FIG. 16