



US00D812307S

(12) **United States Design Patent**
Nieberding

(10) **Patent No.:** **US D812,307 S**
(45) **Date of Patent:** **** Mar. 6, 2018**

- (54) **FLIGHT SAFETY VEST FOR A LAP CHILD**
- (71) Applicant: **Digital Three, Inc.**, Dallas, TX (US)
- (72) Inventor: **Gregory T Nieberding**, Dallas, TX (US)
- (73) Assignee: **Digital Three, Inc.**, Dallas, TX (US)
- (**) Term: **15 Years**
- (21) Appl. No.: **29/613,540**
- (22) Filed: **Aug. 10, 2017**
- (51) **LOC (11) Cl.** **29-02**
- (52) **U.S. Cl.**
USPC **D29/101.4**
- (58) **Field of Classification Search**
USPC D29/100, 101.1–101.4, 122, 124;
D2/626, 628, 629; D3/215, 218, 219,
(Continued)

(56) **References Cited**

U.S. PATENT DOCUMENTS

- 2,170,703 A 8/1939 Waxman et al.
 - 2,212,746 A 8/1940 Nunn
- (Continued)

FOREIGN PATENT DOCUMENTS

- DE 4401702 A1 8/1994
- WO 93005986 A1 4/1993

OTHER PUBLICATIONS

- Original Baby B' Air Flight Vest packaging, 2002.
- Primary Examiner* — Randall H Gholson
- (74) *Attorney, Agent, or Firm* — Dentons US LLP

(57) **CLAIM**

An ornamental design for a flight safety vest for a lap child, as shown and described.

DESCRIPTION

FIG. 1 is a front perspective view of a flight safety vest for a lap child;

FIG. 2 is a front elevational view of the flight safety vest of FIG. 1;
 FIG. 3 is a rear elevational view of the flight safety vest of FIG. 1;
 FIG. 4 is a right-side elevational view of the flight safety vest of FIG. 1;
 FIG. 5 is a left-side elevational view of the flight safety vest of FIG. 1;
 FIG. 6 is a top view of the flight safety vest of FIG. 1;
 FIG. 7 is a bottom view of the flight safety vest of FIG. 1;
 FIG. 8 is a front perspective view of the flight safety vest of FIG. 1 positioned on an unclaimed lap child;
 FIG. 9 is a front perspective view of a flight safety vest for a lap child;
 FIG. 10 is a front elevational view of the flight safety vest of FIG. 9;
 FIG. 11 is a rear elevational view of the flight safety vest of FIG. 9;
 FIG. 12 is a right-side elevational view of the flight safety vest of FIG. 9;
 FIG. 13 is a left-side elevational view of the flight safety vest of FIG. 9;
 FIG. 14 is a top view of the flight safety vest of FIG. 9;
 FIG. 15 is a bottom view of the flight safety vest of FIG. 9;
 FIG. 16 is a front perspective view of a flight safety vest of FIG. 9 for a lap child;
 FIG. 17 is a front elevational view of the flight safety vest of FIG. 16;
 FIG. 18 is a rear elevational view of the flight safety vest of FIG. 16;
 FIG. 19 is a right-side elevational view of the flight safety vest of FIG. 16;
 FIG. 20 is a left-side elevational view of the flight safety vest of FIG. 16;
 FIG. 21 is a top view of the flight safety vest of FIG. 16;
 FIG. 22 is a bottom view of the flight safety vest of FIG. 16;
 FIG. 23 is a front perspective view of the flight safety vest of FIG. 16 positioned on an unclaimed lap child;
 FIG. 24 is a front perspective view of a flight safety vest for a lap child;
 FIG. 25 is a front elevational view of the flight safety vest of FIG. 24;
 FIG. 26 is a rear elevational view of the flight safety vest of FIG. 24;

(Continued)

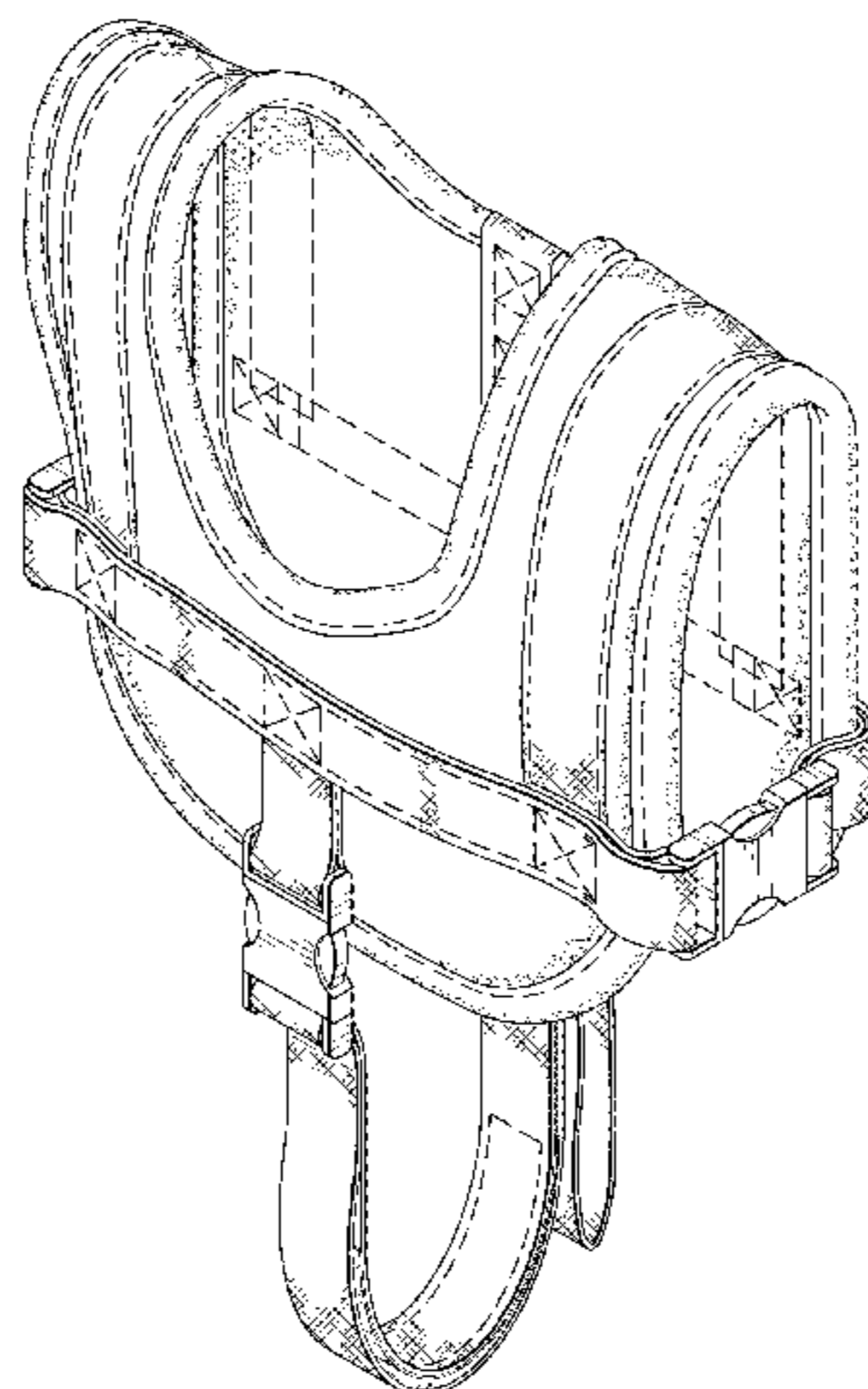


FIG. 27 is a right-side elevational view of the flight safety vest of FIG. 24;
 FIG. 28 is a left-side elevational view of the flight safety vest of FIG. 24;
 FIG. 29 is a top view of the flight safety vest of FIG. 24; and,
 FIG. 30 is a bottom view of the flight safety vest of FIG. 24.
 All of the broken lines shown in the drawings show unclaimed subject matter only and form no part of the claimed design.

1 Claim, 22 Drawing Sheets

(58) **Field of Classification Search**

USPC D3/221, 226, 322, 327; D24/190;
 359/362, 519; 182/3, 4, 5, 6, 9, 133;
 2/300, 310, 311; D10/111; 224/259,
 224/576, 603, 606, 623, 627, 647;
 D21/683; D30/152; 119/770; 297/485
 CPC A45F 5/00
 See application file for complete search history.

(56) **References Cited**

U.S. PATENT DOCUMENTS

2,302,710 A 11/1942 Nordblom
 2,498,471 A 2/1950 Williams

3,377,007 A	4/1968	Gayler, Jr.	
3,701,395 A	10/1972	Theobald	
3,742,945 A	7/1973	Reinhardt	
3,769,938 A	11/1973	Hudziak et al.	
4,540,219 A	9/1985	Klinger	
4,571,000 A	2/1986	Holder	
4,699,090 A	10/1987	Voorhees	
4,827,920 A	5/1989	Rowell, Sr.	
5,063,879 A	11/1991	Vorbau	
5,080,191 A	1/1992	Sanchez	
D328,803 S	8/1992	Franklin	
5,301,371 A	4/1994	Chao	
5,388,551 A *	2/1995	Martusciello A01K 27/002 119/770
5,435,272 A	7/1995	Epstein et al.	
5,540,403 A	7/1996	Standley	
D378,080 S *	2/1997	Walters D12/407
5,628,548 A	5/1997	Lacoste	
5,642,842 A	7/1997	Taras	
5,692,456 A	12/1997	Louks-Phillips	
5,730,340 A	3/1998	Basic	
6,000,591 A	12/1999	Alexander	
7,131,703 B1	11/2006	Sheridan et al.	
D555,289 S *	11/2007	Escarcega D29/101.4
7,401,859 B2	7/2008	Kim et al.	
D586,049 S *	2/2009	Boardman D29/101.1
7,934,775 B2	5/2011	Walker et al.	
3,007,046 A1	8/2011	Rothschild	
8,210,617 B2	7/2012	Aaron et al.	
8,317,271 B1	11/2012	Kopca	
8,491,058 B2	7/2013	Siegel	

* cited by examiner

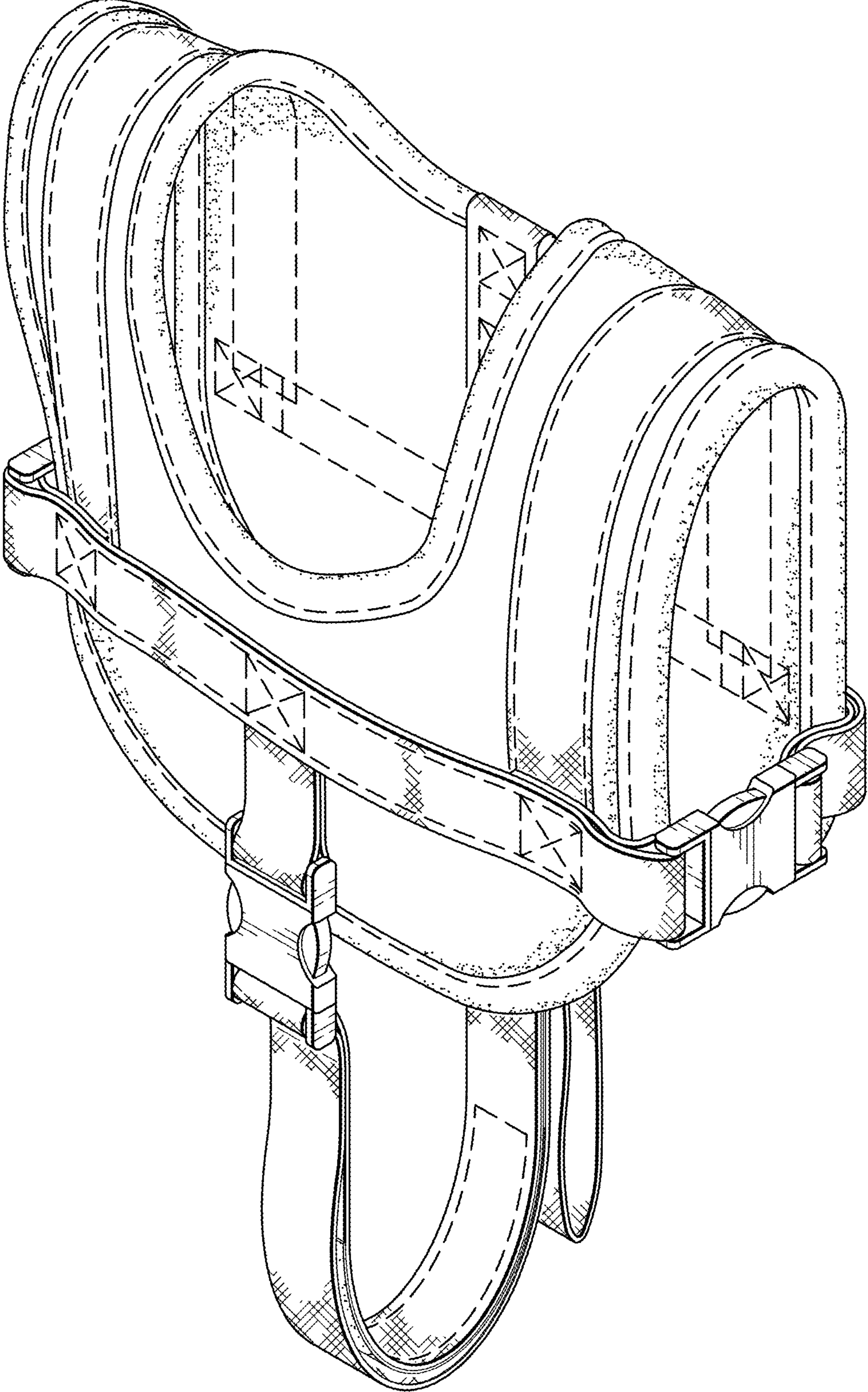


FIG. 1

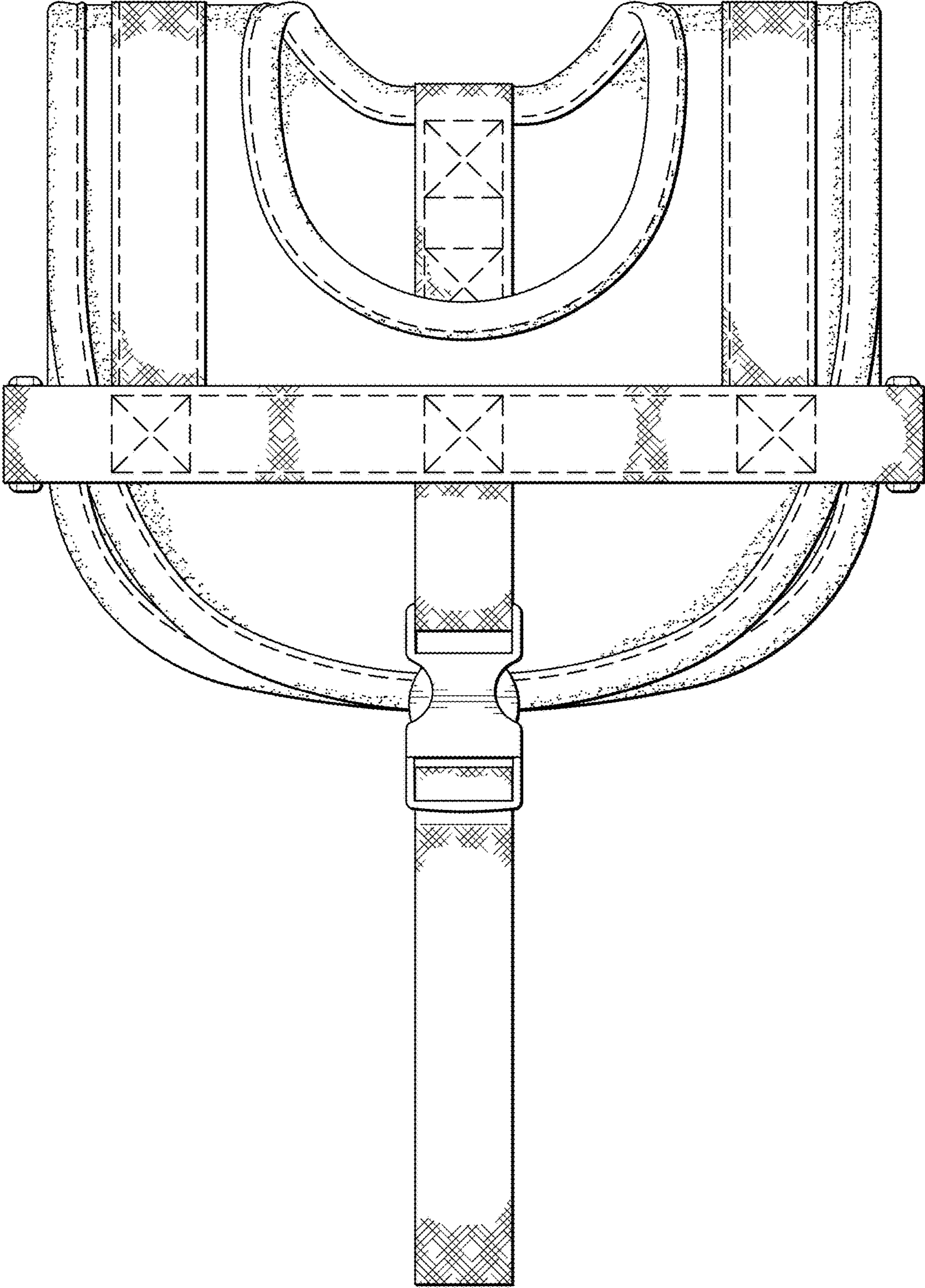


FIG. 2

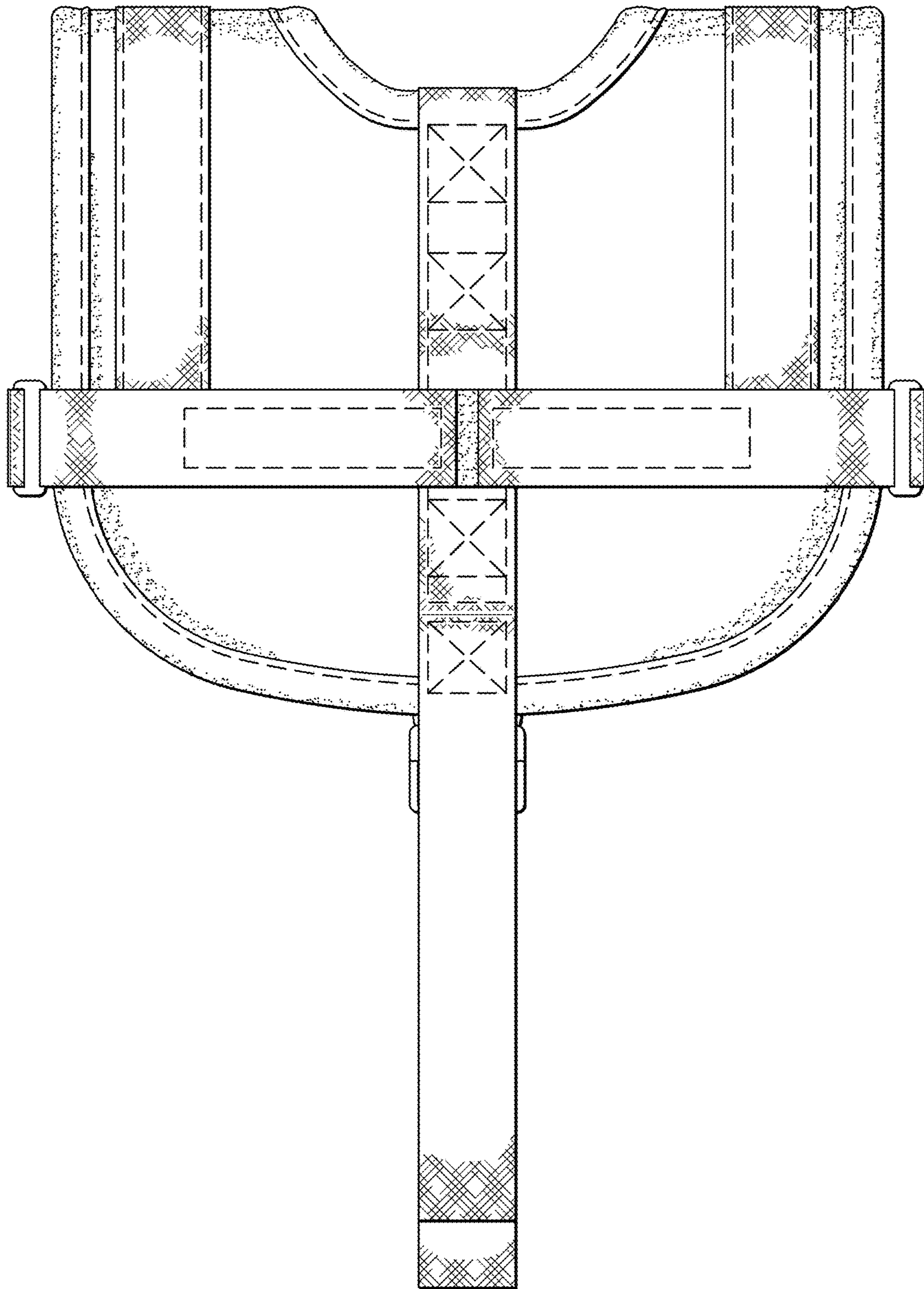


FIG. 3

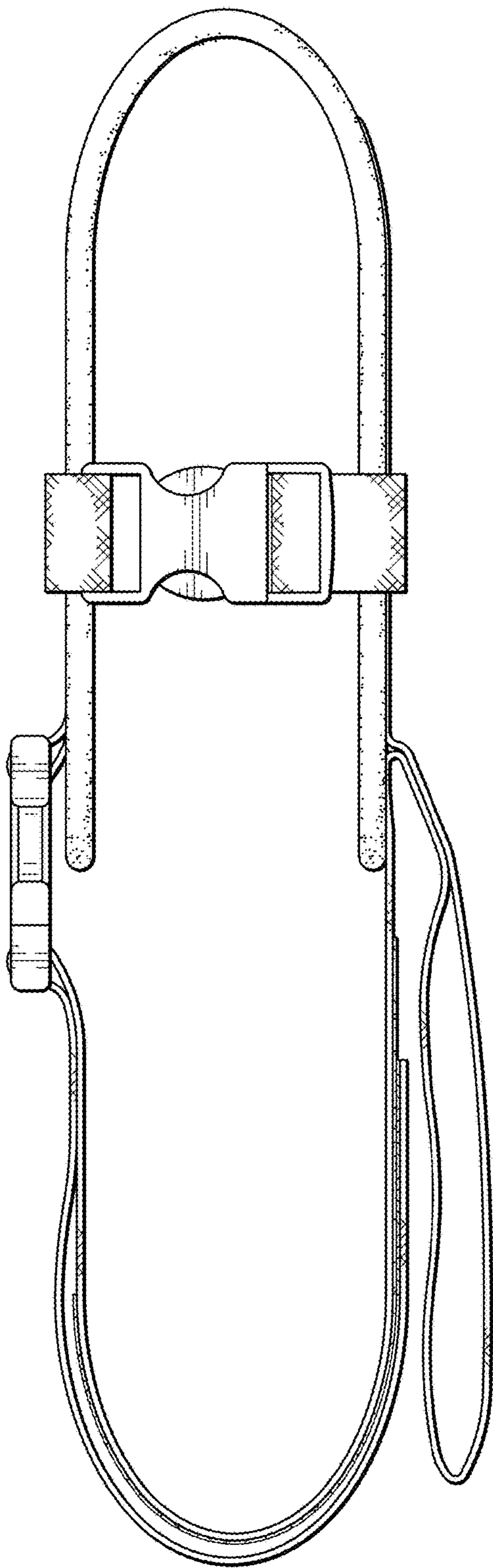


FIG. 4

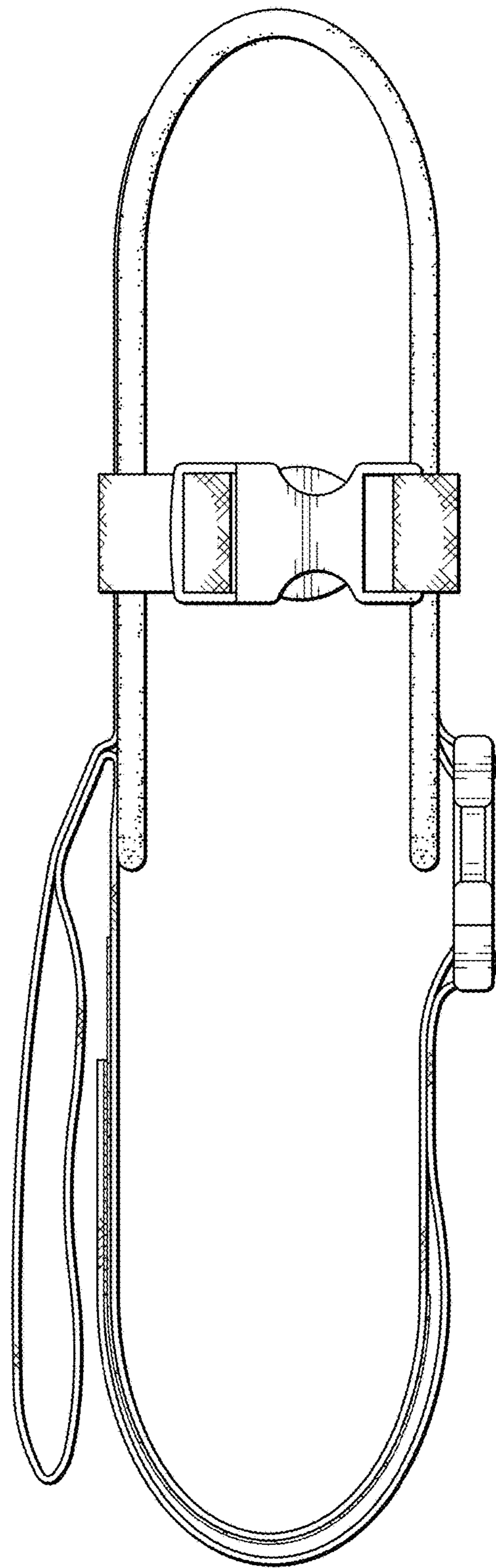


FIG. 5

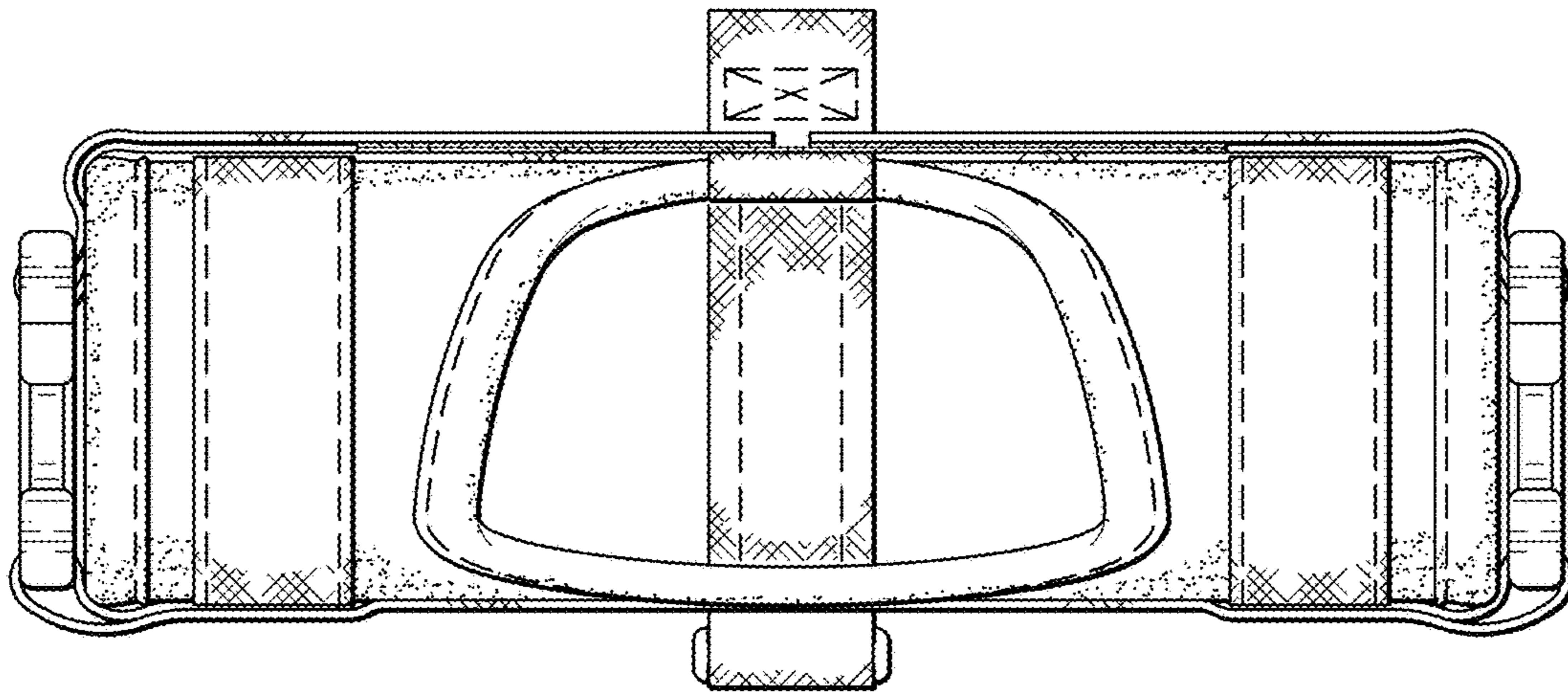


FIG. 6

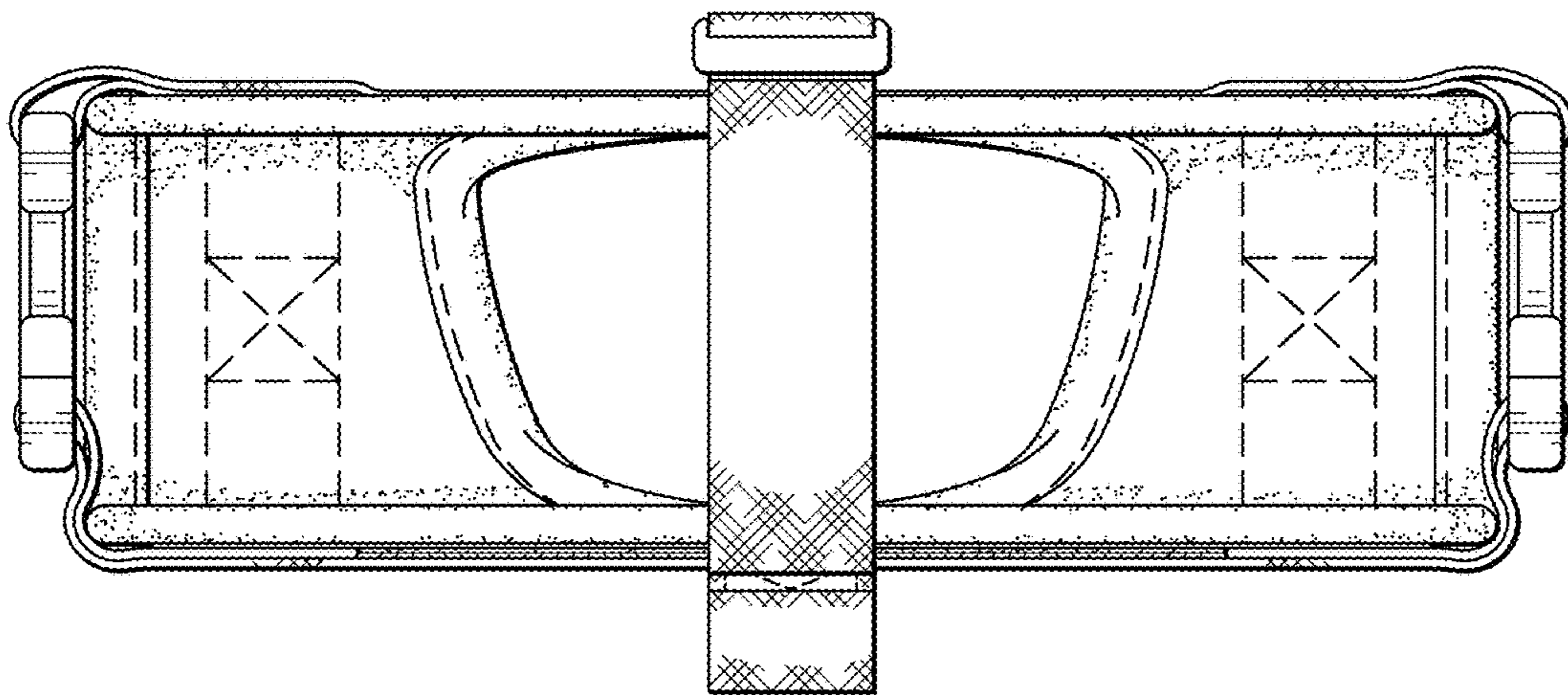


FIG. 7



FIG. 8

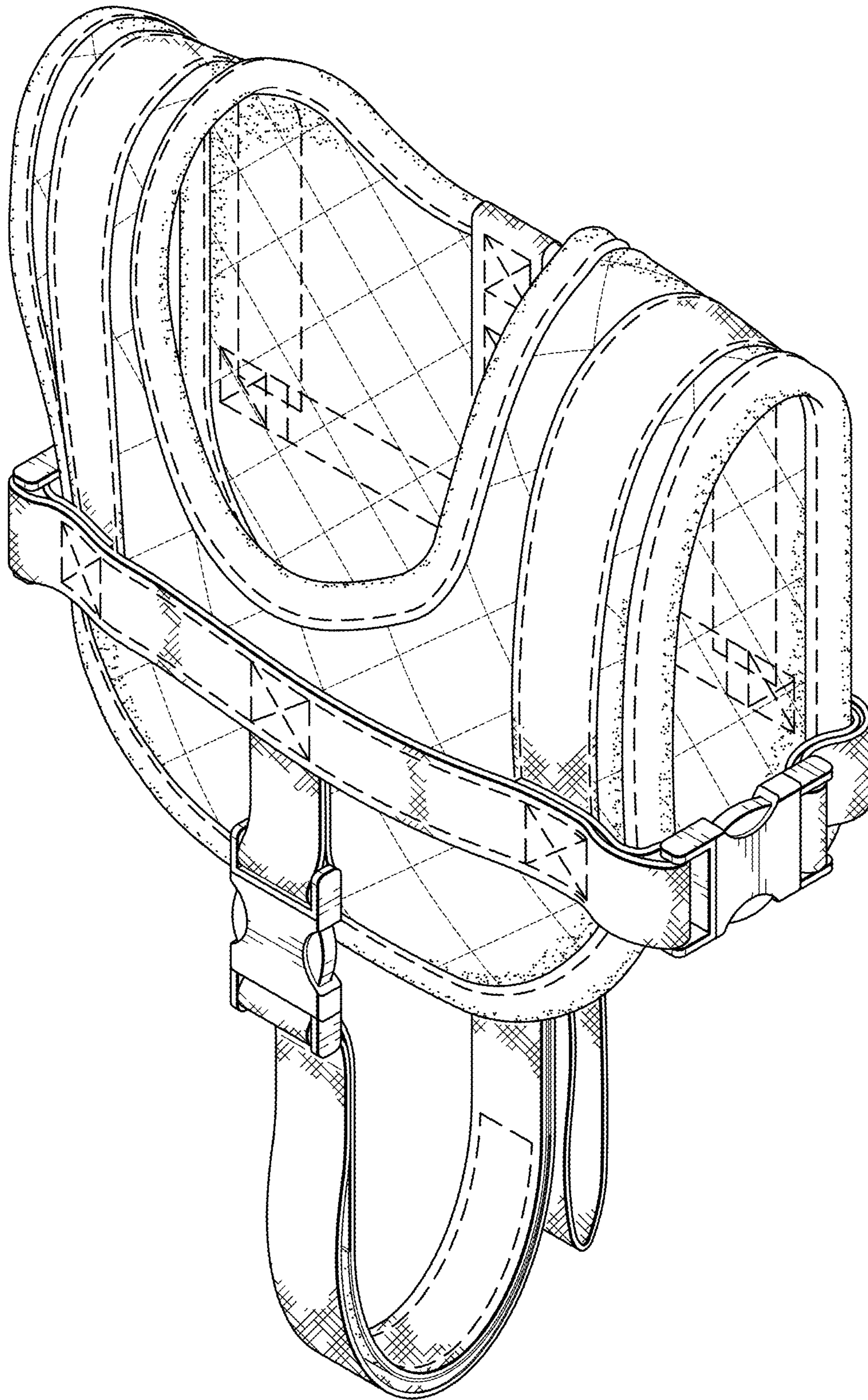


FIG. 9

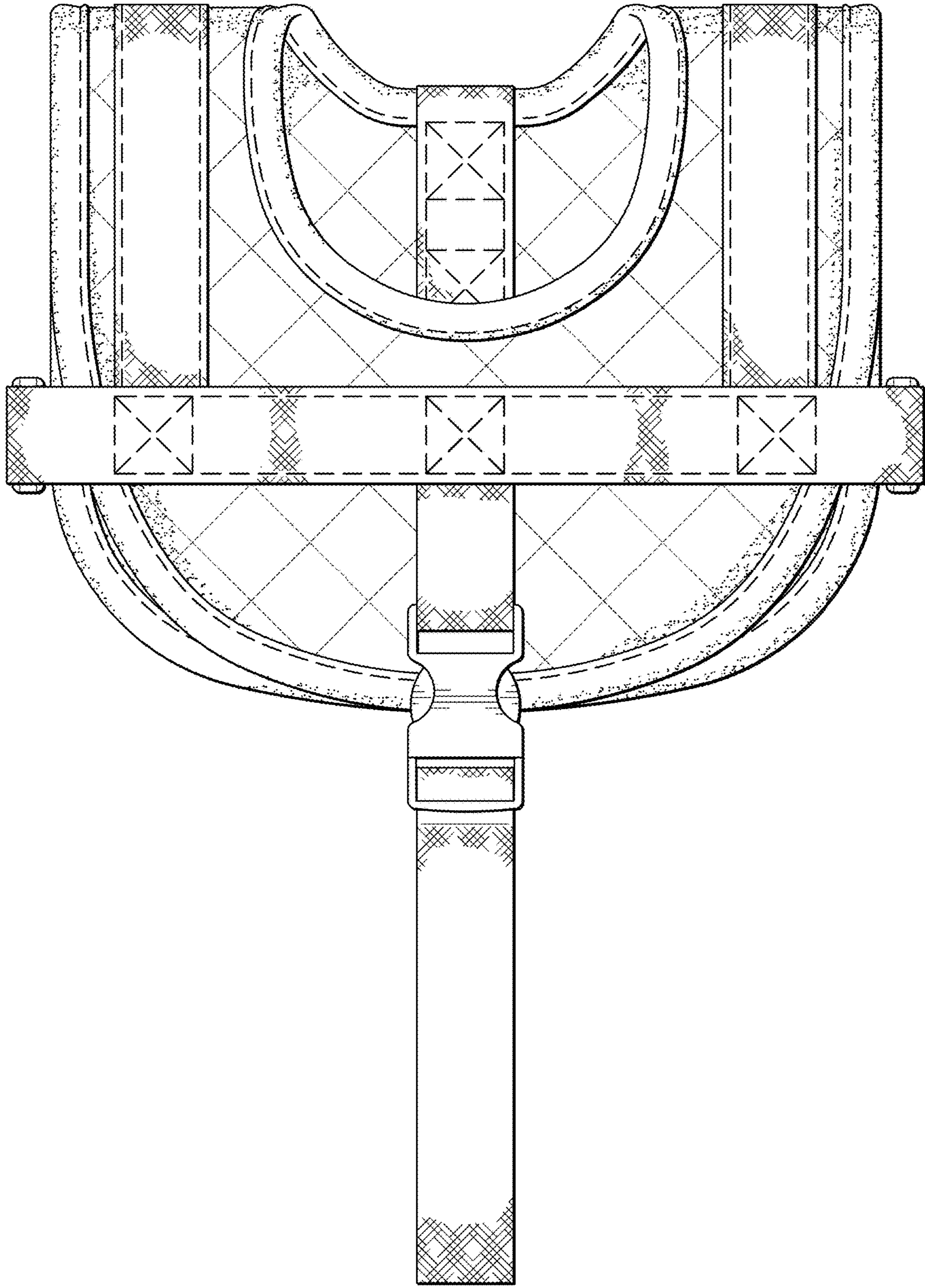


FIG. 10

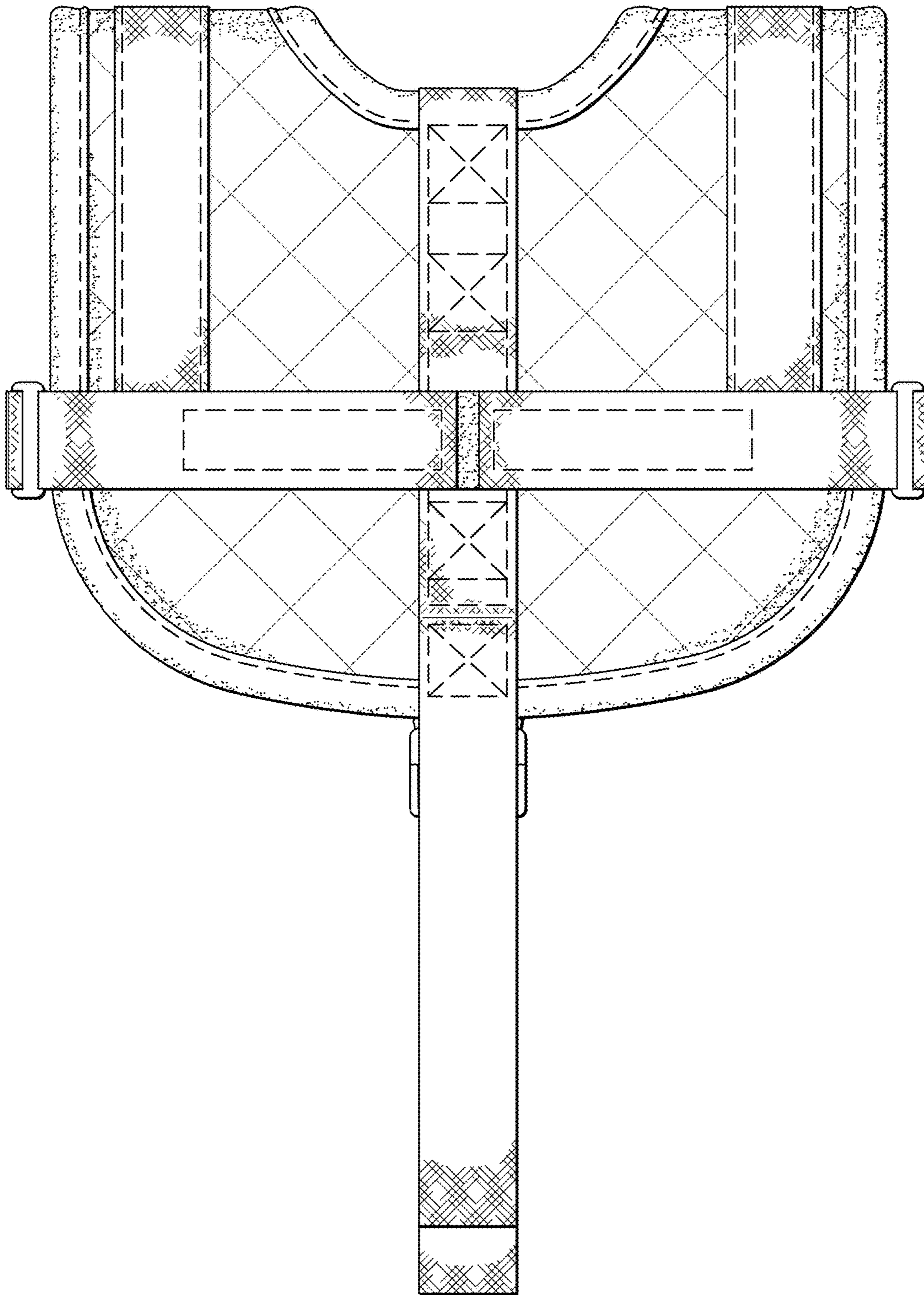


FIG. 11

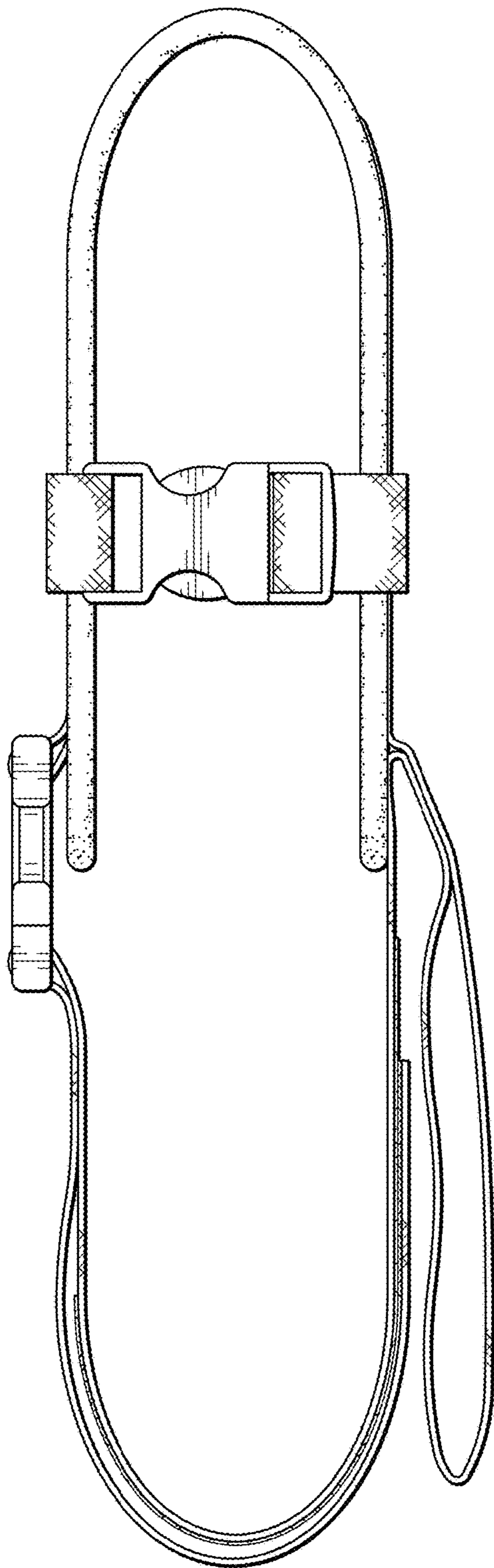


FIG. 12

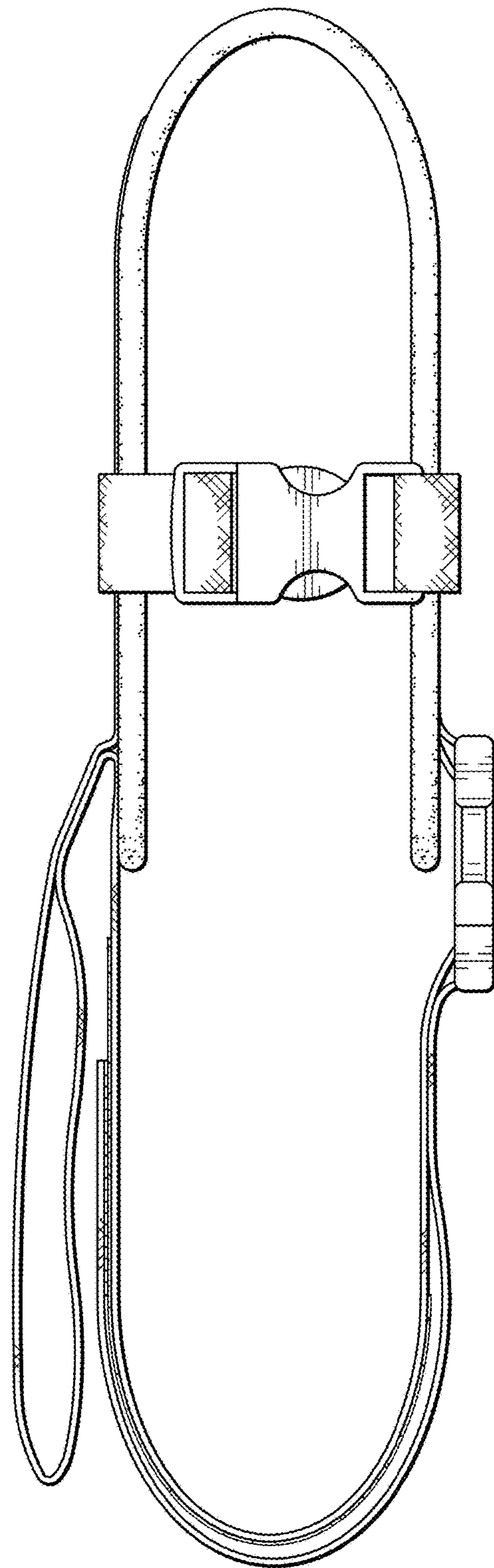


FIG. 13

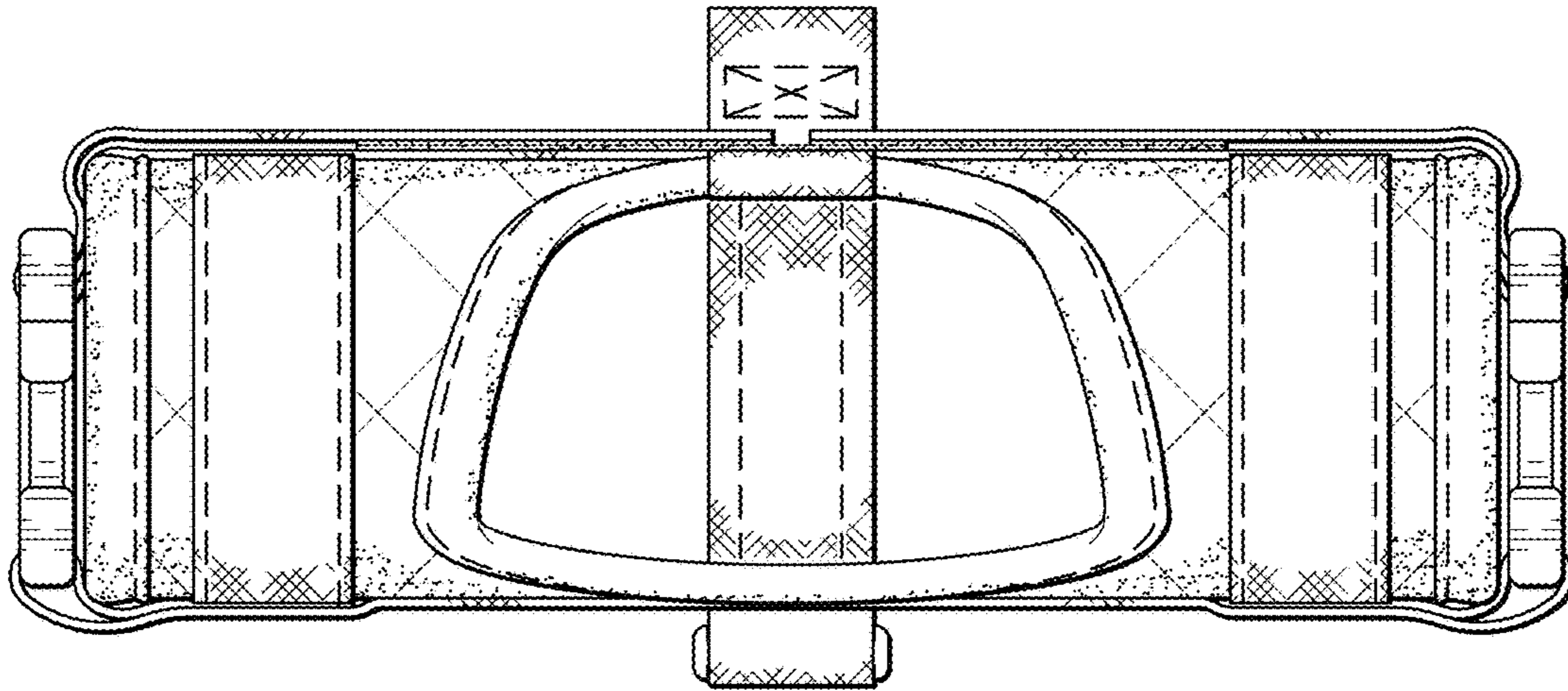


FIG. 14

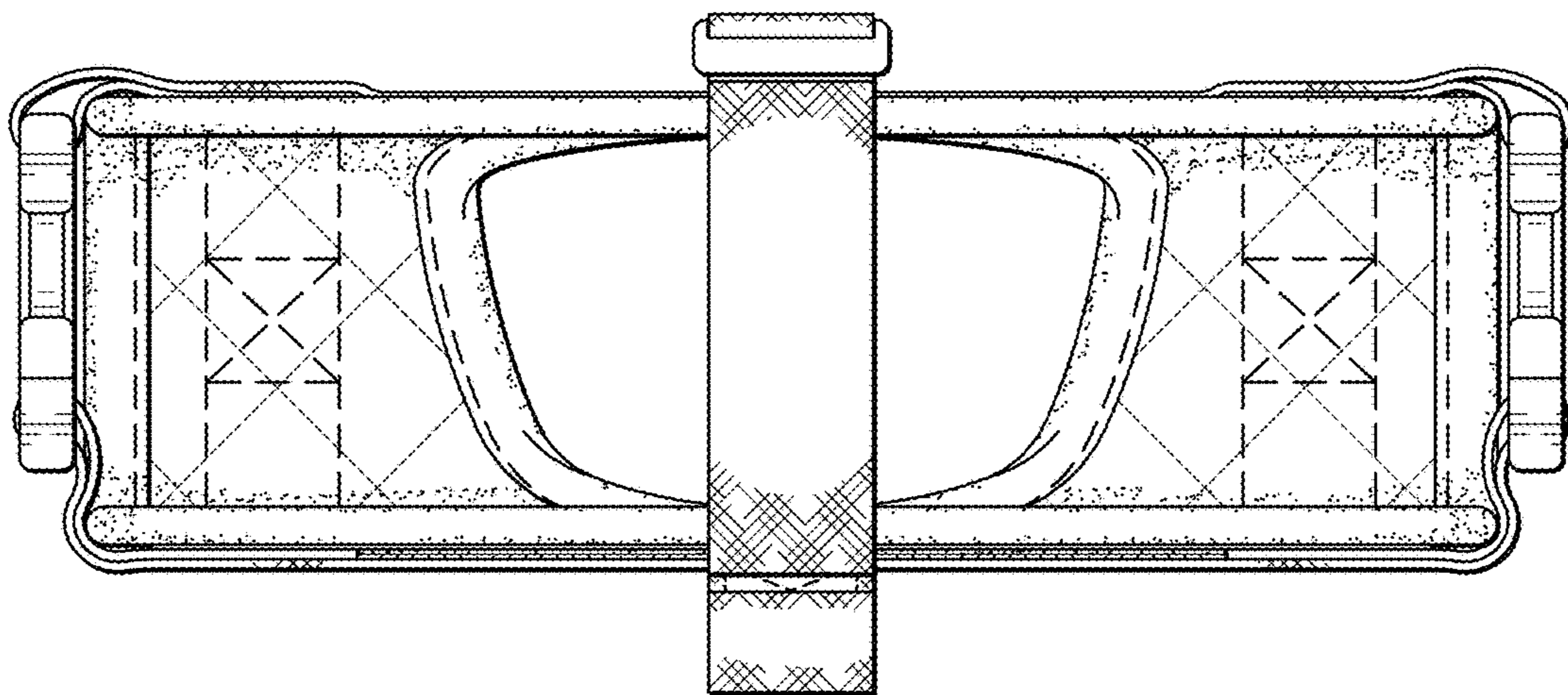


FIG. 15

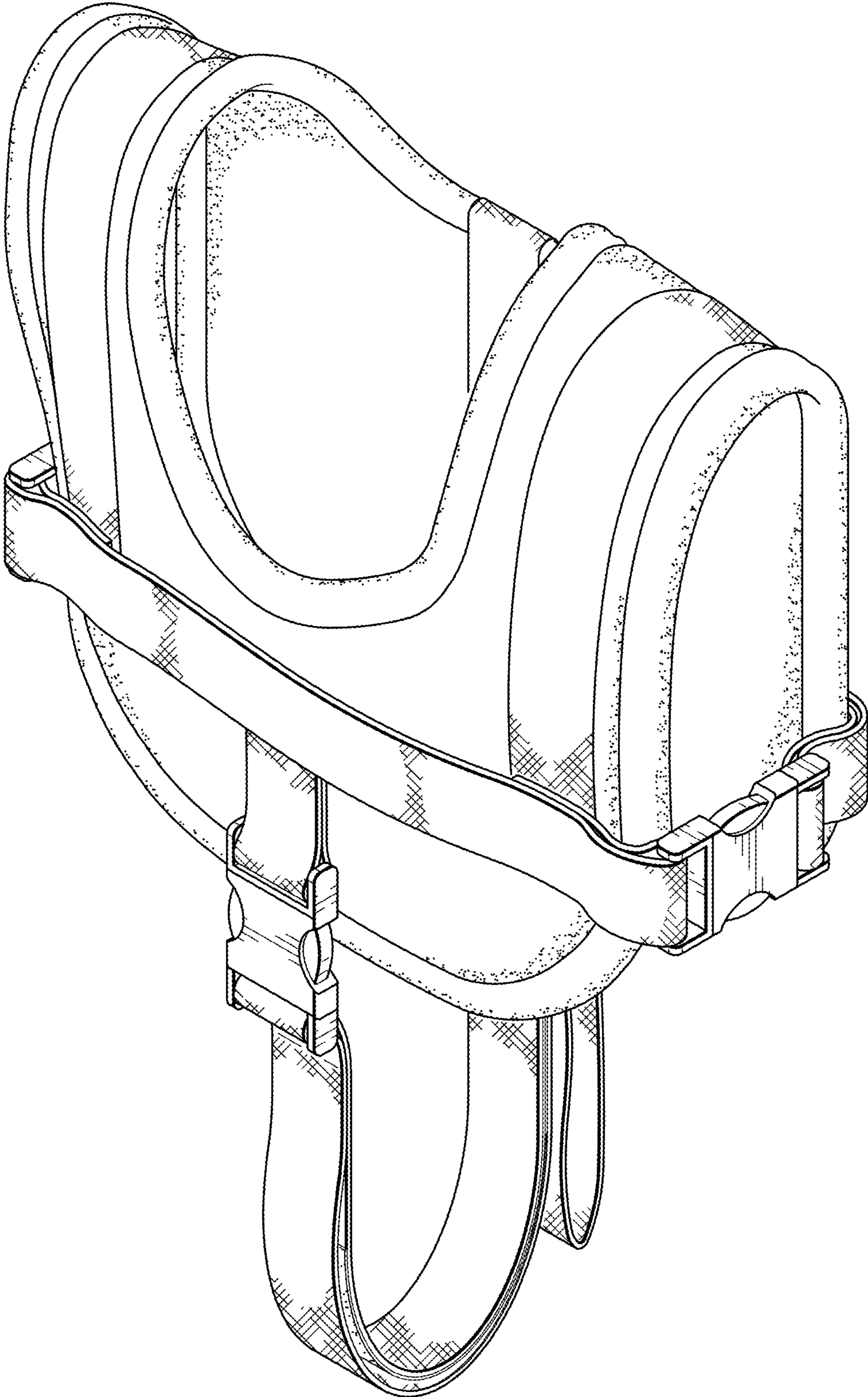


FIG. 16

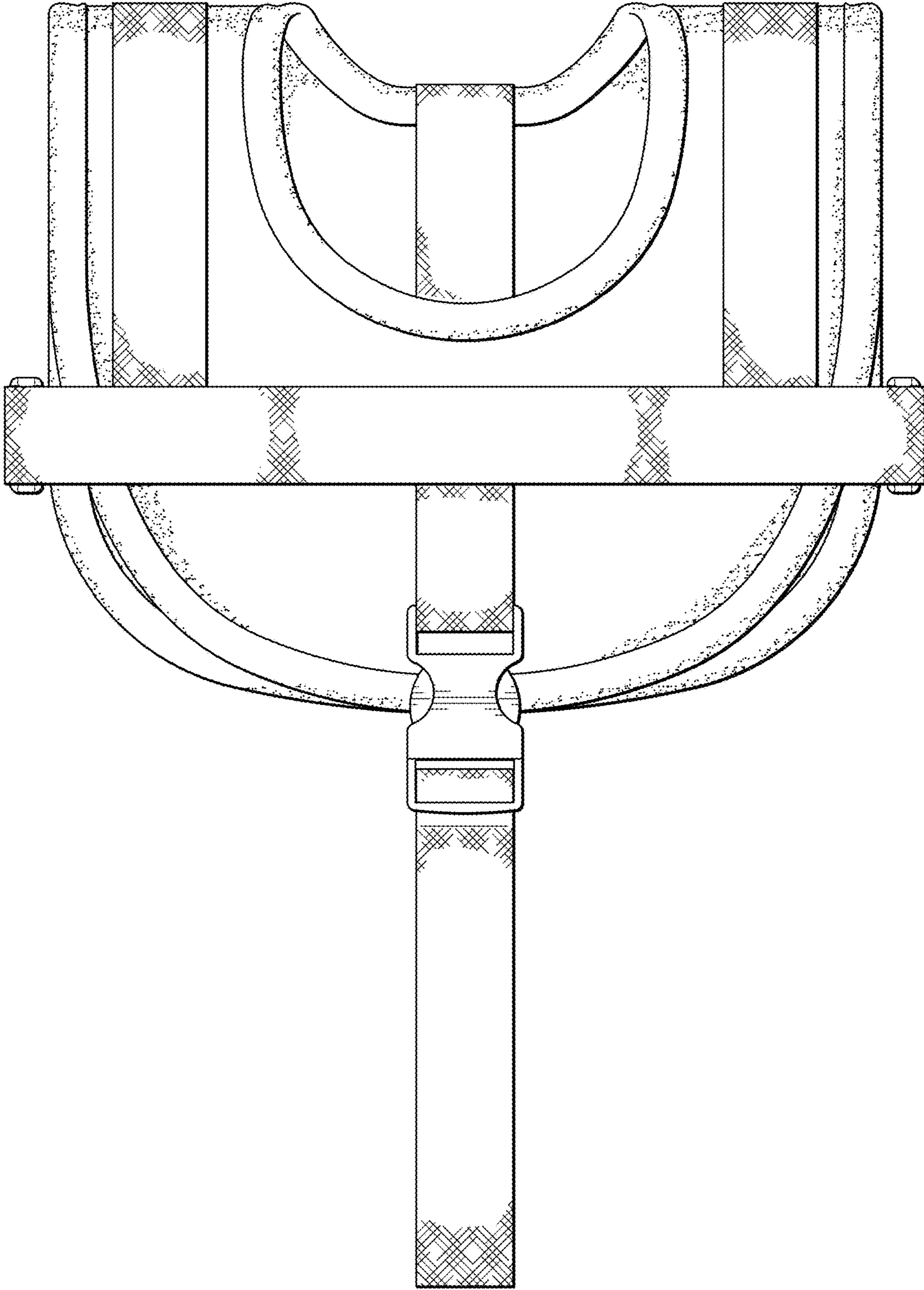


FIG. 17

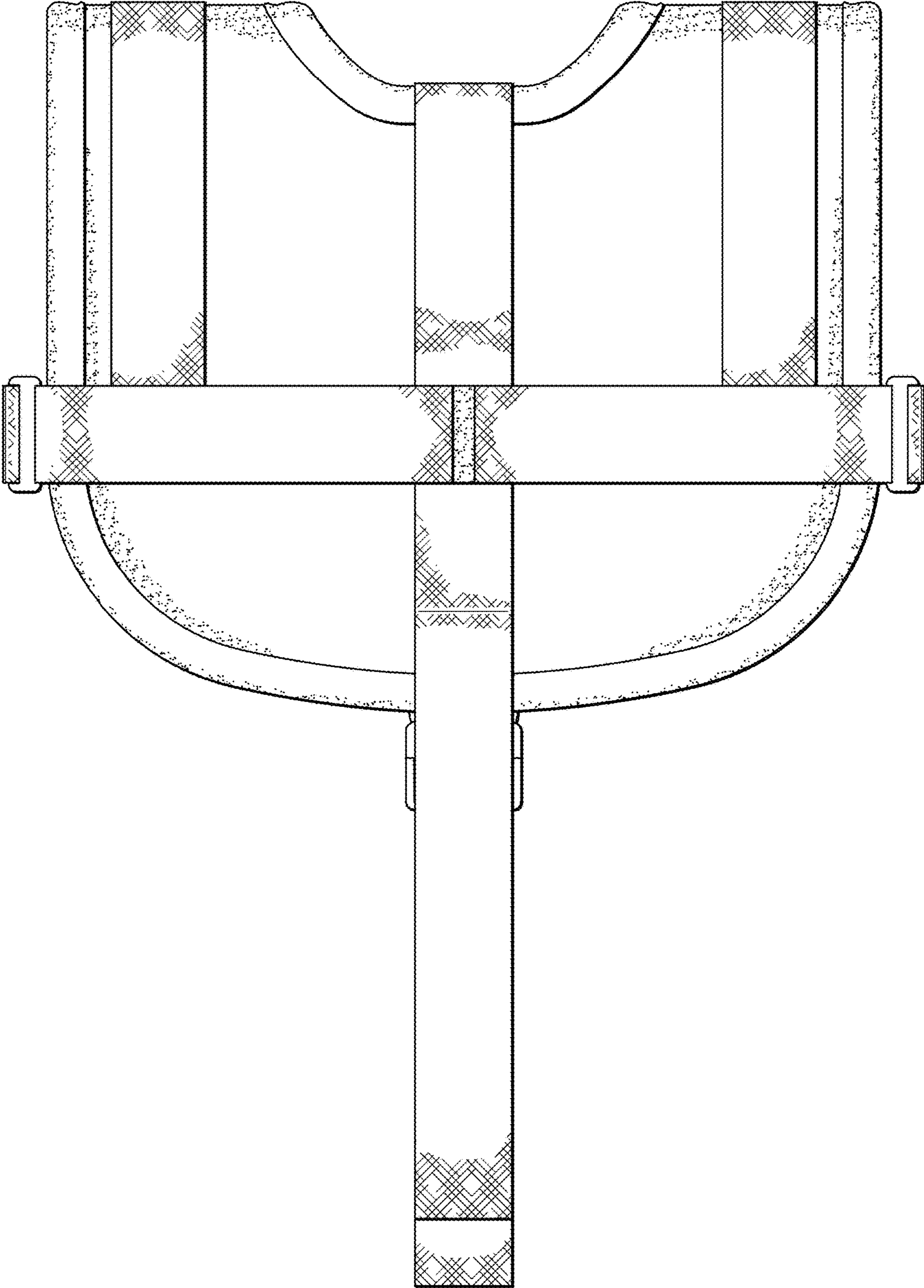


FIG. 18

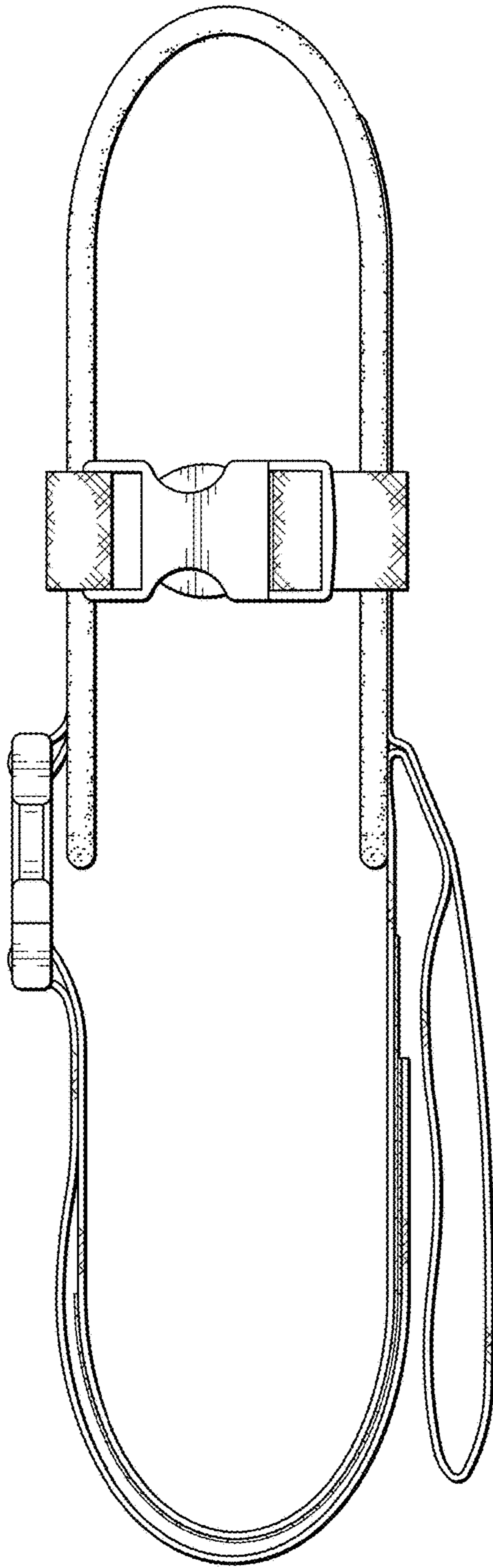


FIG. 19

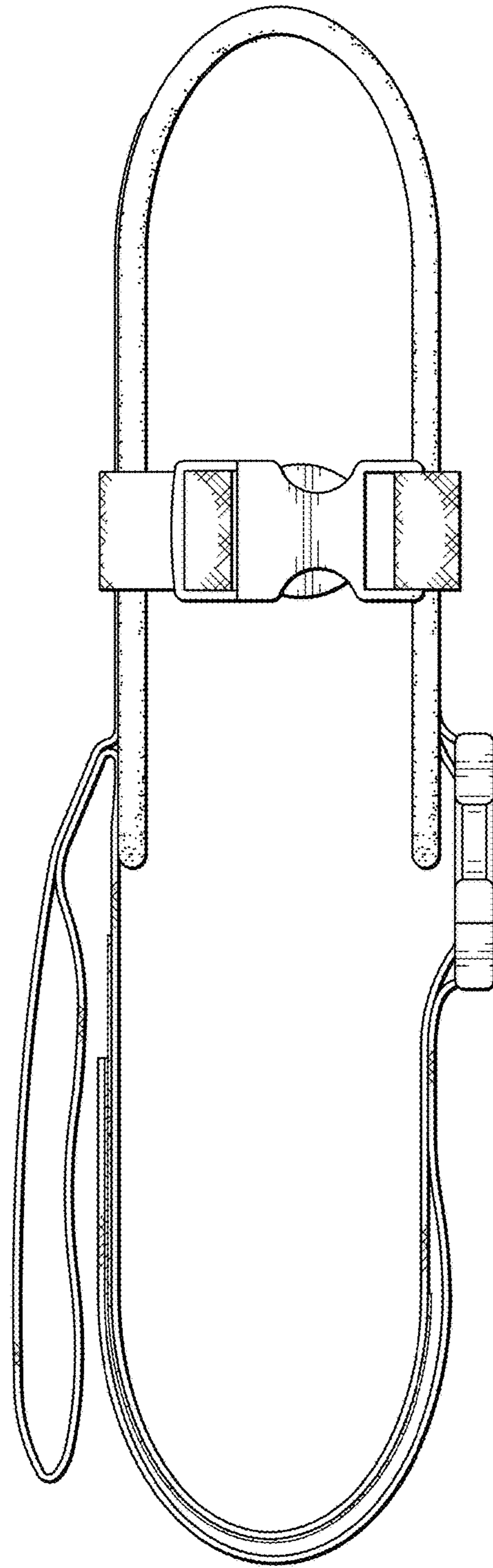


FIG. 20

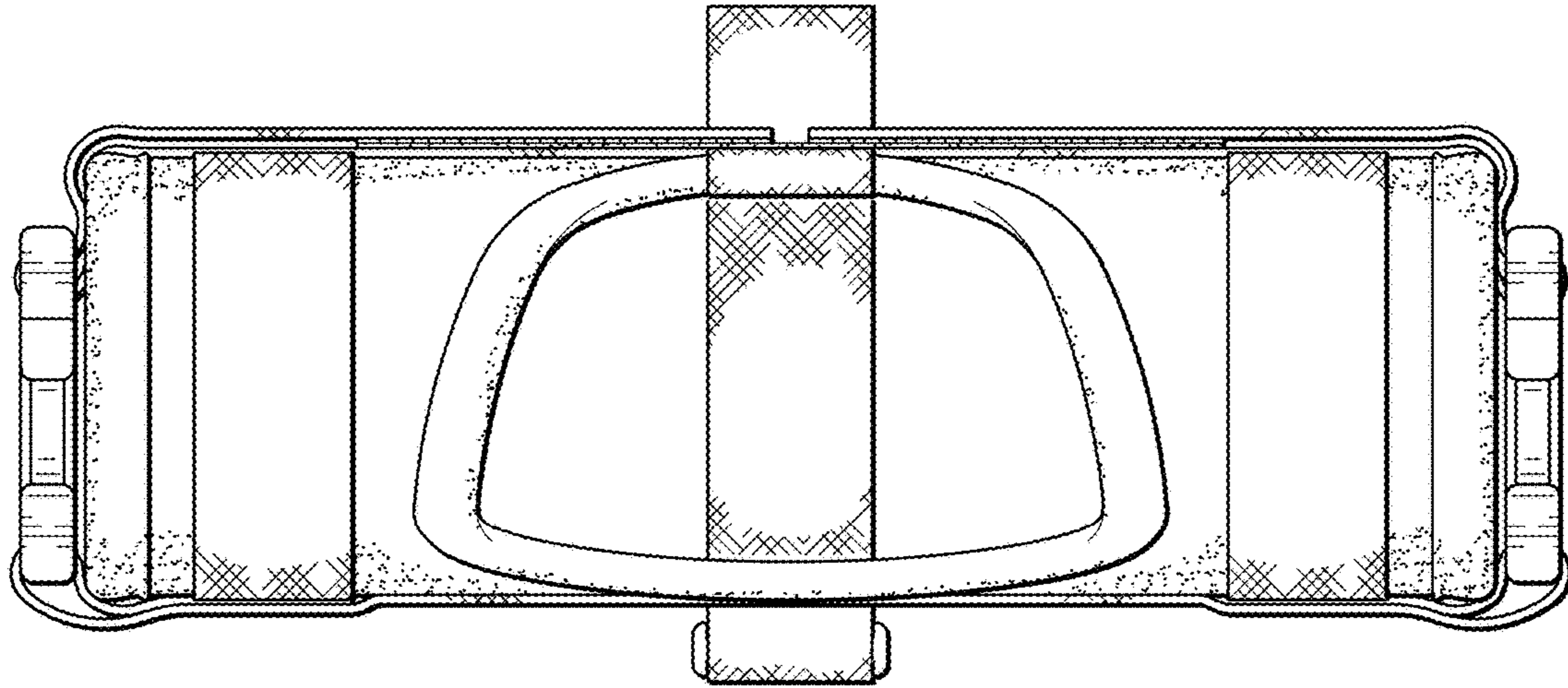


FIG. 21

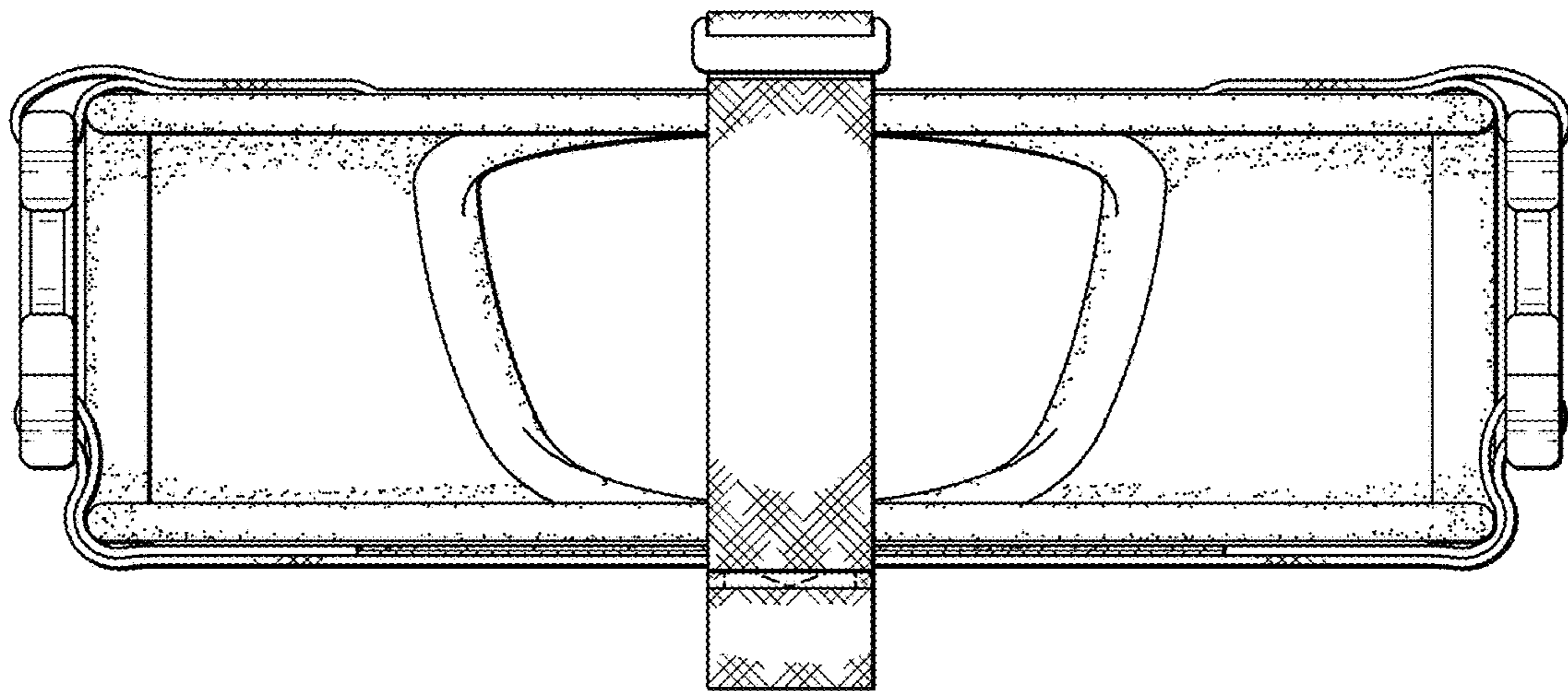


FIG. 22



FIG. 23

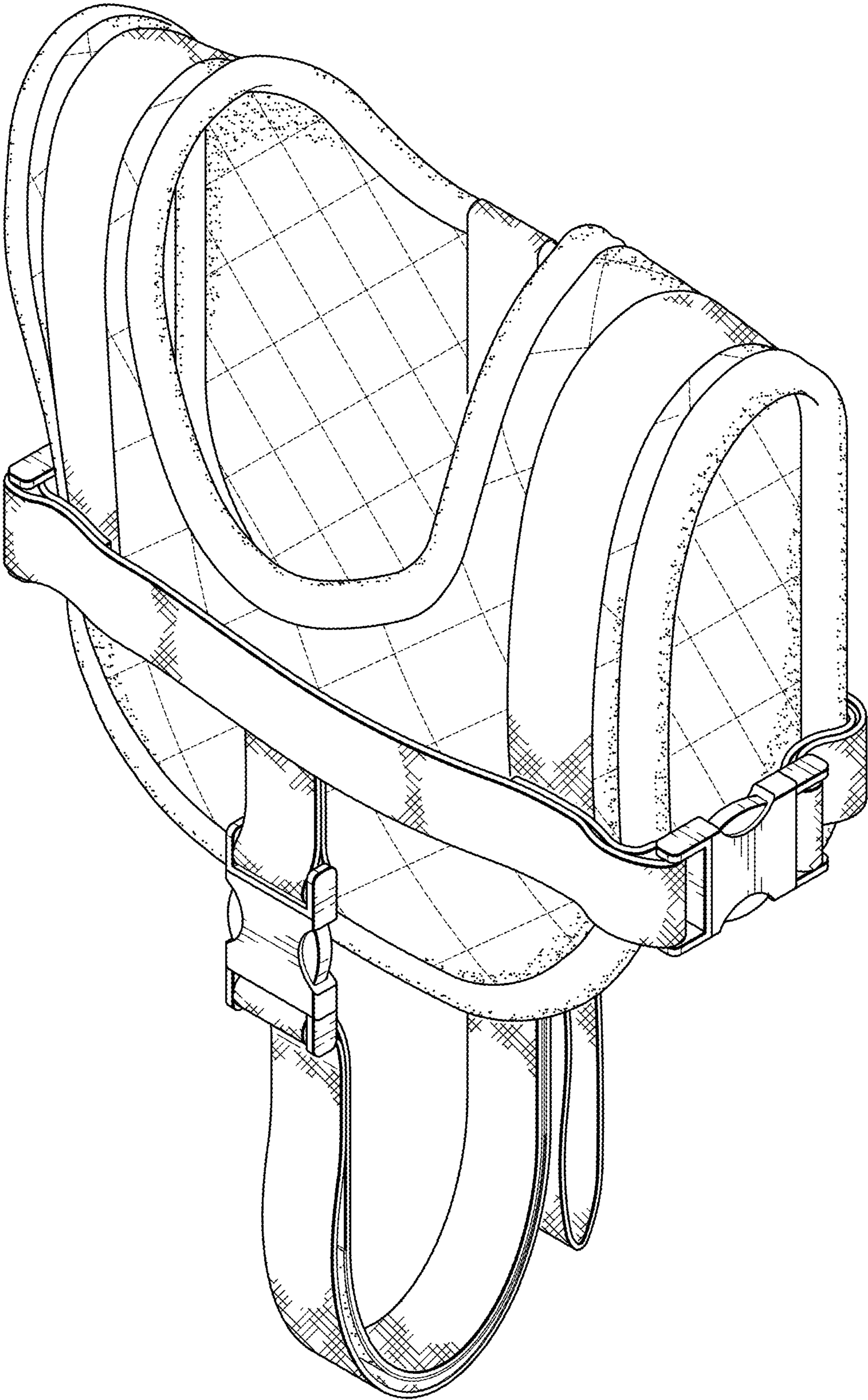


FIG. 24

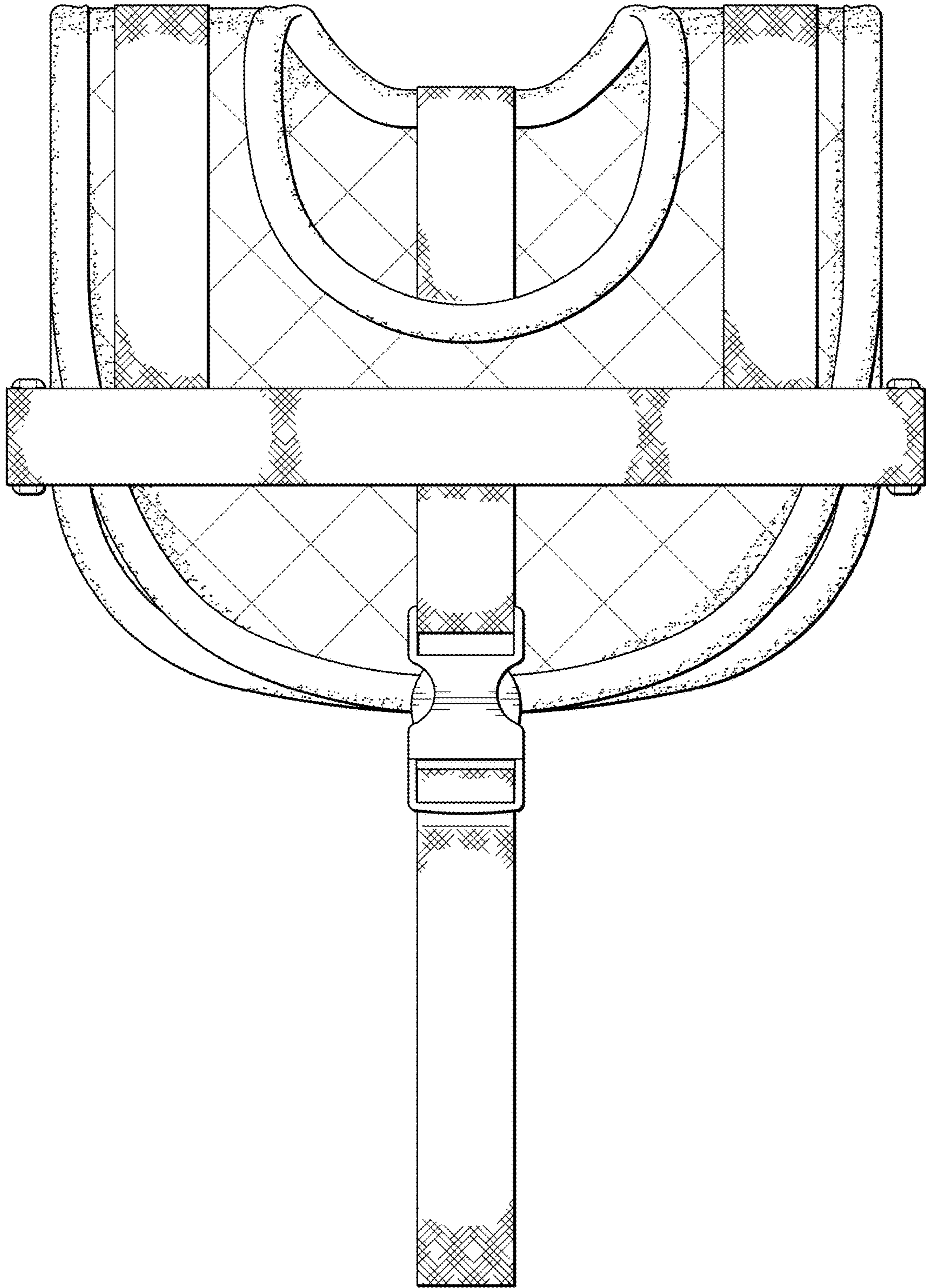


FIG. 25

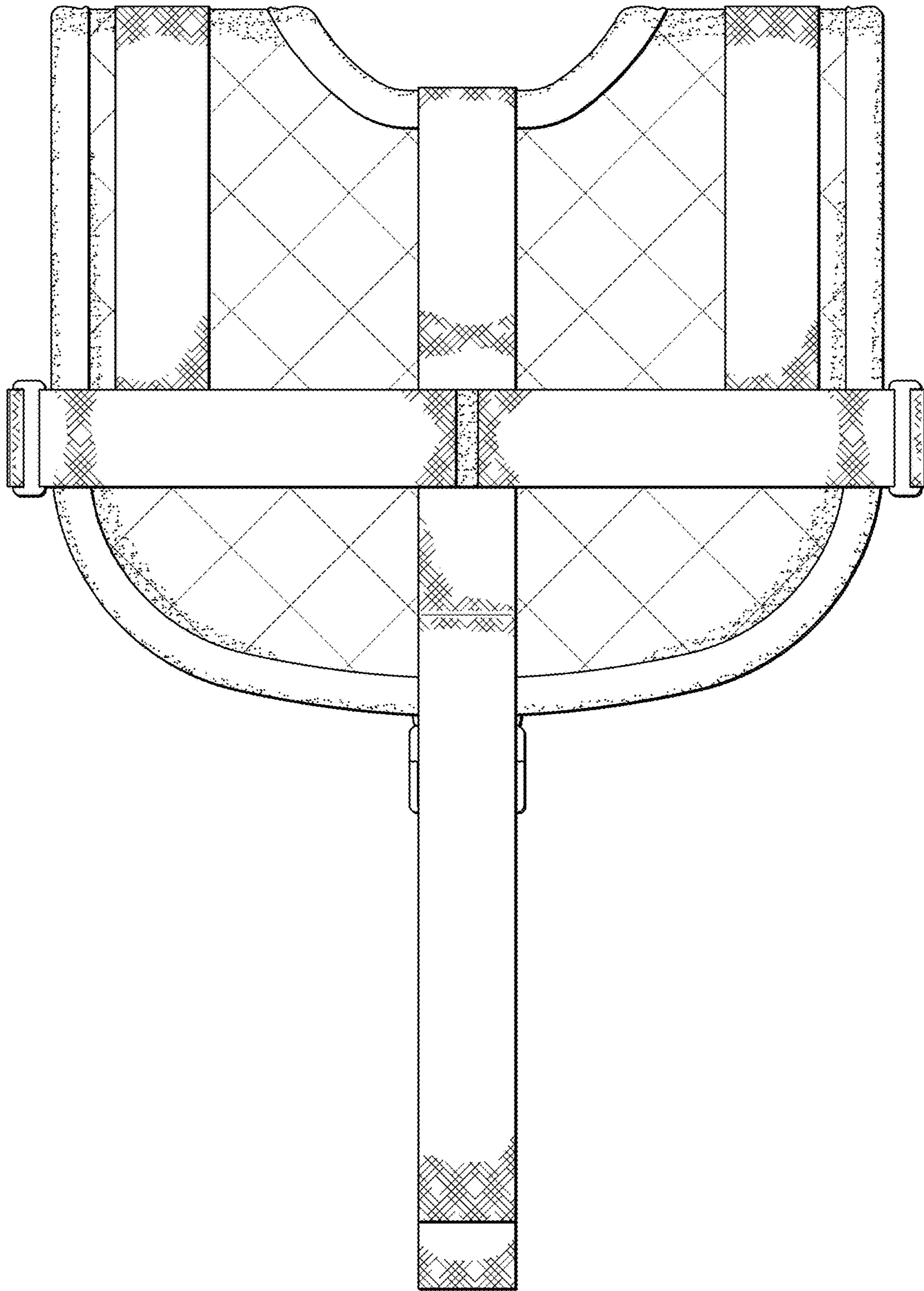


FIG. 26

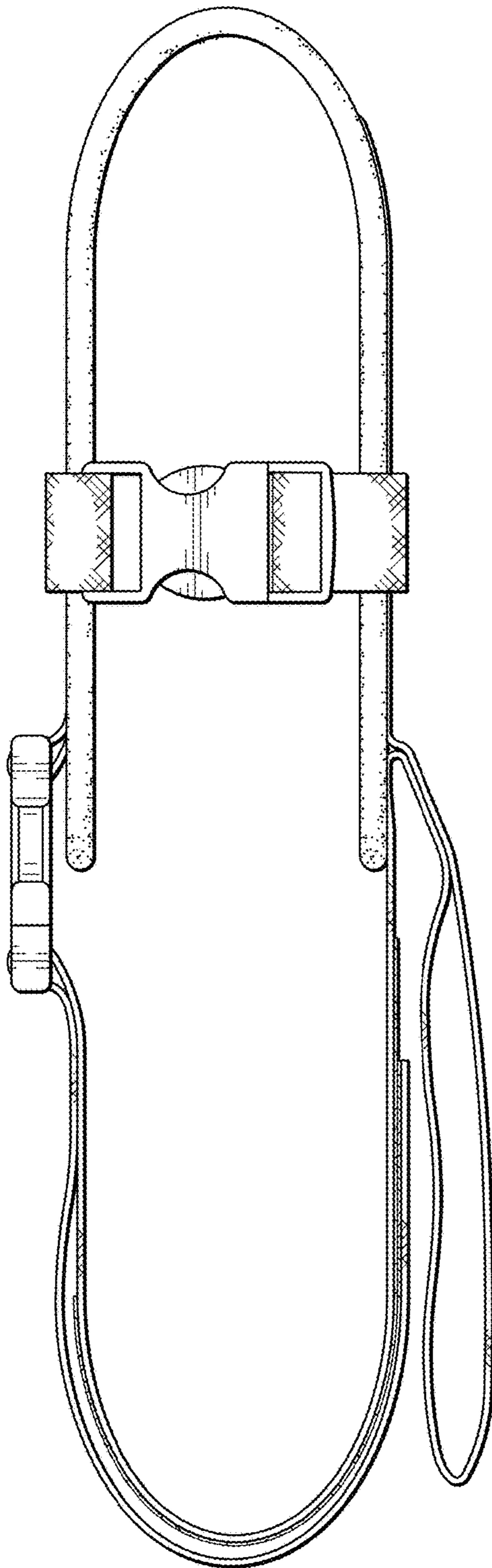


FIG. 27

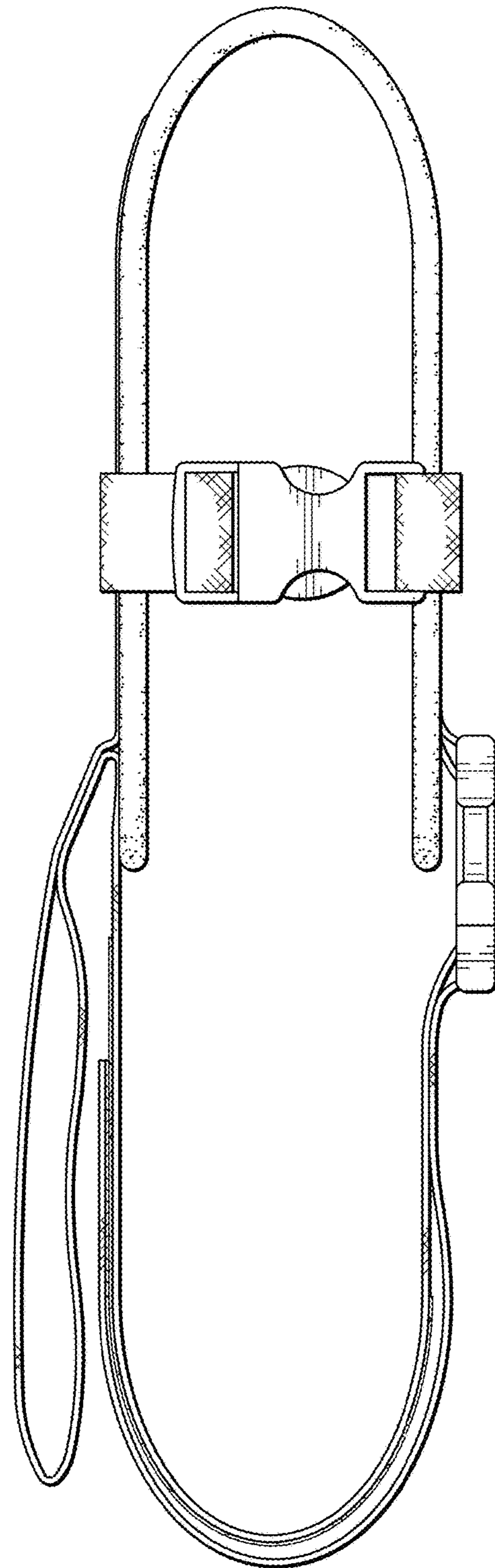


FIG. 28

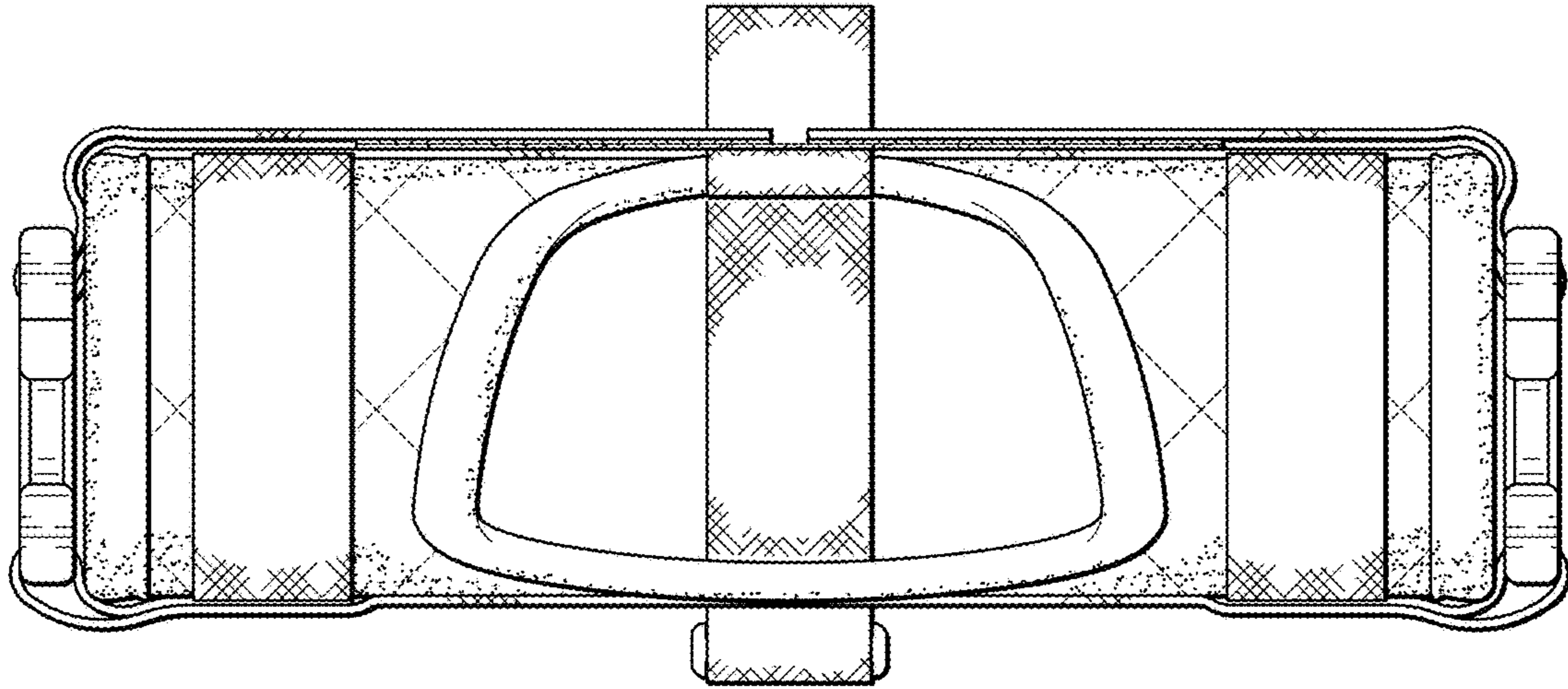


FIG. 29

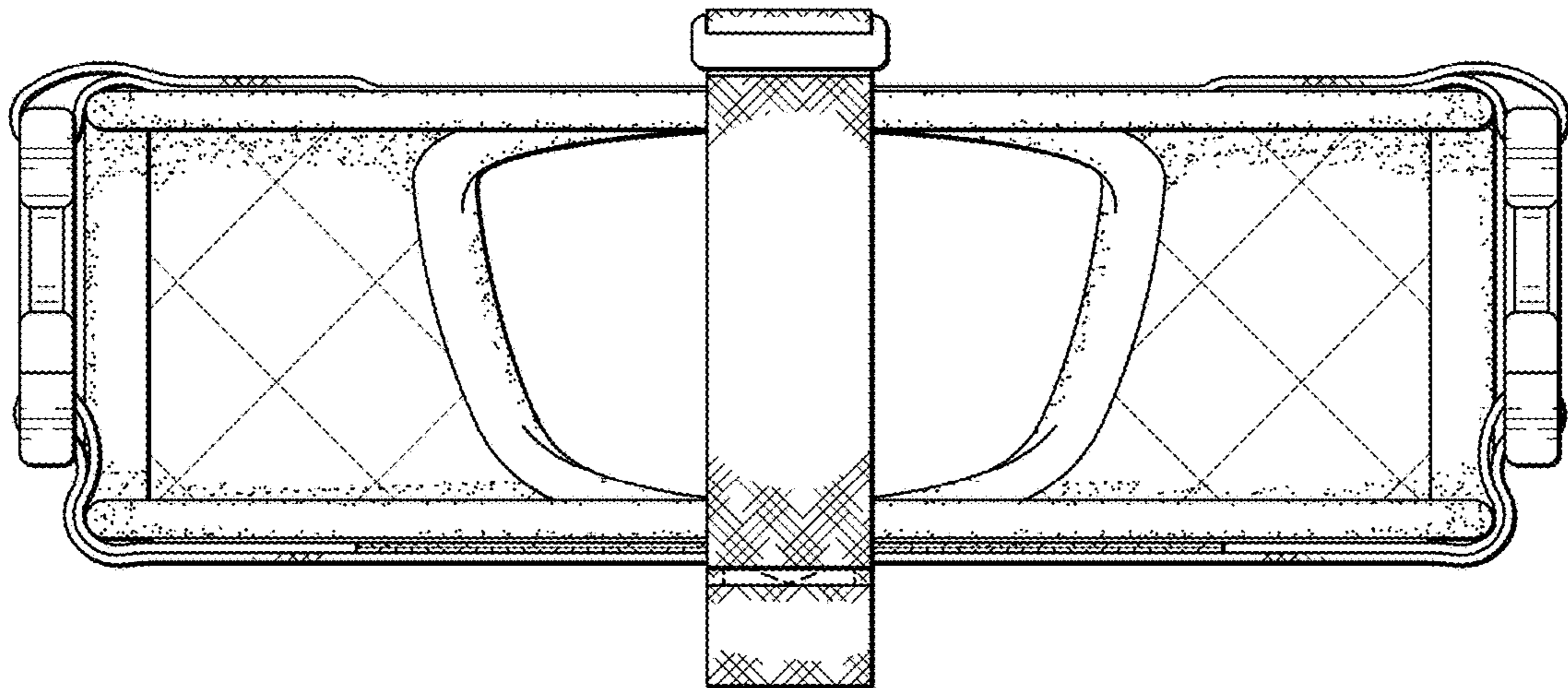


FIG. 30