



US00D812300S

(12) **United States Design Patent**  
**Conway**

(10) **Patent No.:** **US D812,300 S**  
(45) **Date of Patent:** **\*\* Mar. 6, 2018**

- (54) **PONYTAIL ACCESSORY**
- (71) Applicant: **Lisa M. Conway**, Winona, MN (US)
- (72) Inventor: **Lisa M. Conway**, Winona, MN (US)
- (\*\*) Term: **15 Years**
- (21) Appl. No.: **29/575,158**
- (22) Filed: **Aug. 23, 2016**
- (51) **LOC (11) Cl.** ..... **28-03**
- (52) **U.S. Cl.**  
USPC ..... **D28/41**
- (58) **Field of Classification Search**  
USPC ..... D28/41, 10, 39, 42, 43; D23/266;  
D11/3, 4; 132/212, 273, 275; 138/121,  
138/122, 118  
CPC ..... A47L 9/24; F16L 11/11; A45D 8/34  
See application file for complete search history.

- D372,338 S \* 7/1996 Engel ..... D28/41
- 6,401,758 B1 \* 6/2002 Ziv-Av ..... F16B 33/02  
138/122
- 6,619,328 B2 \* 9/2003 Otsuka ..... F01N 13/08  
138/109
- D635,299 S \* 3/2011 Hsu ..... D28/41
- 8,453,681 B2 \* 6/2013 Forrester ..... A47L 9/248  
138/122
- 8,646,489 B2 \* 2/2014 Kanao ..... F16L 11/15  
138/109
- 8,910,667 B2 \* 12/2014 Castro ..... F16L 11/111  
138/118
- D731,347 S \* 6/2015 Zeuner ..... D11/27

\* cited by examiner

*Primary Examiner* — Susan Bennett Hattan  
*Assistant Examiner* — Rebecca Tsehaye  
(74) *Attorney, Agent, or Firm* — William M. Hobby, III

(57) **CLAIM**

The ornamental design for a ponytail accessory, as shown and described.

(56) **References Cited**

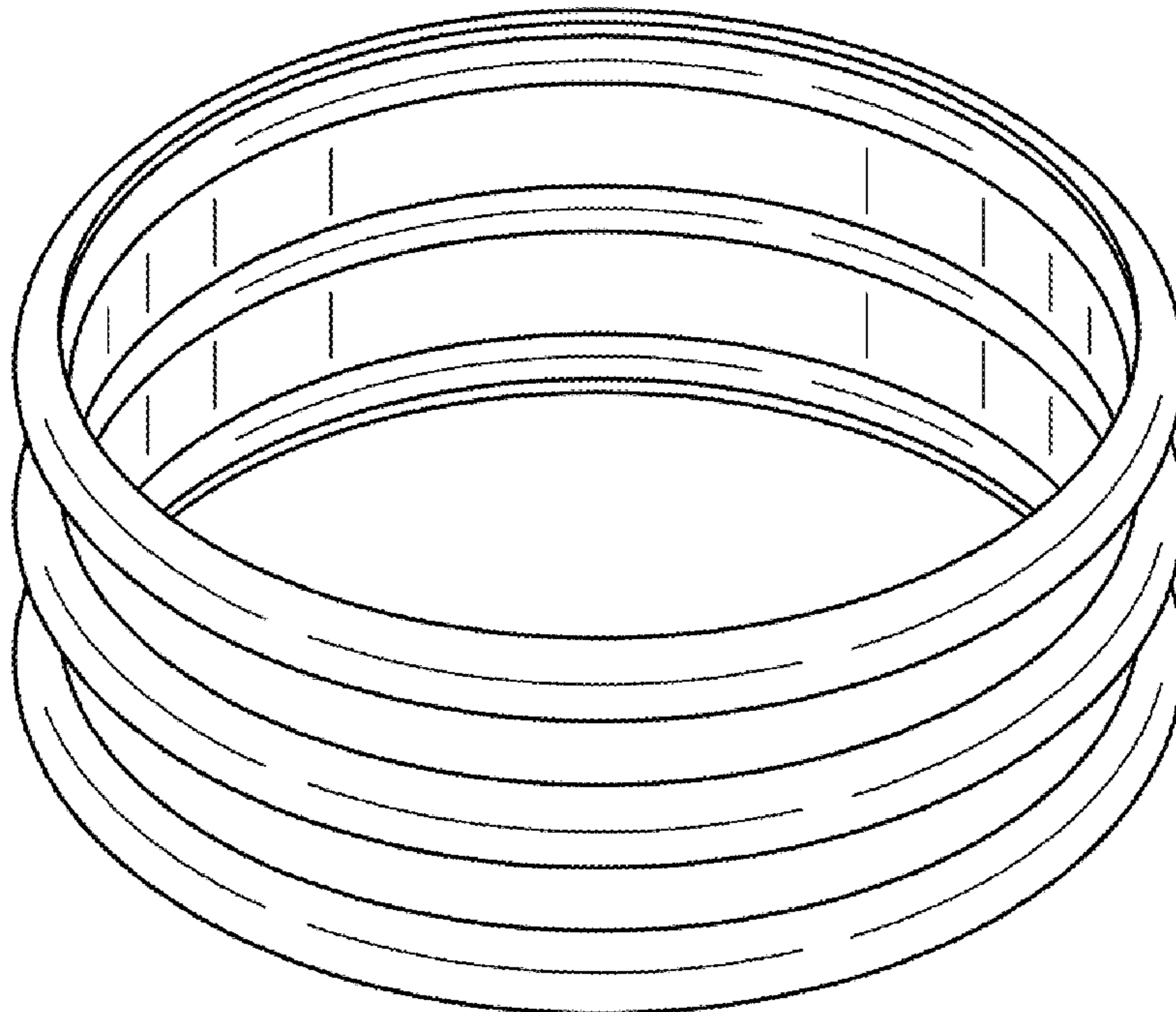
U.S. PATENT DOCUMENTS

- 2,924,228 A \* 2/1960 McGee ..... A45D 8/34  
132/273
- 4,108,396 A \* 8/1978 Engel ..... B65H 75/24  
242/118.11
- 4,294,636 A \* 10/1981 Vitellaro ..... B29C 53/72  
156/143
- 4,756,045 A \* 7/1988 Gans ..... A47L 9/24  
138/121
- D307,174 S \* 4/1990 Bjorkman ..... 138/121

**DESCRIPTION**

FIG. 1 is a top perspective view of a ponytail accessory showing my new design;  
FIG. 2 is a side elevation thereof, it being understood that the view from all sides is identical;  
FIG. 3 is a top plan view thereof; it being understood that the bottom plan view is identical to the top plan view; and,  
FIG. 4 is a sectional view taken on the line 4-4 of FIG. 3.

**1 Claim, 1 Drawing Sheet**



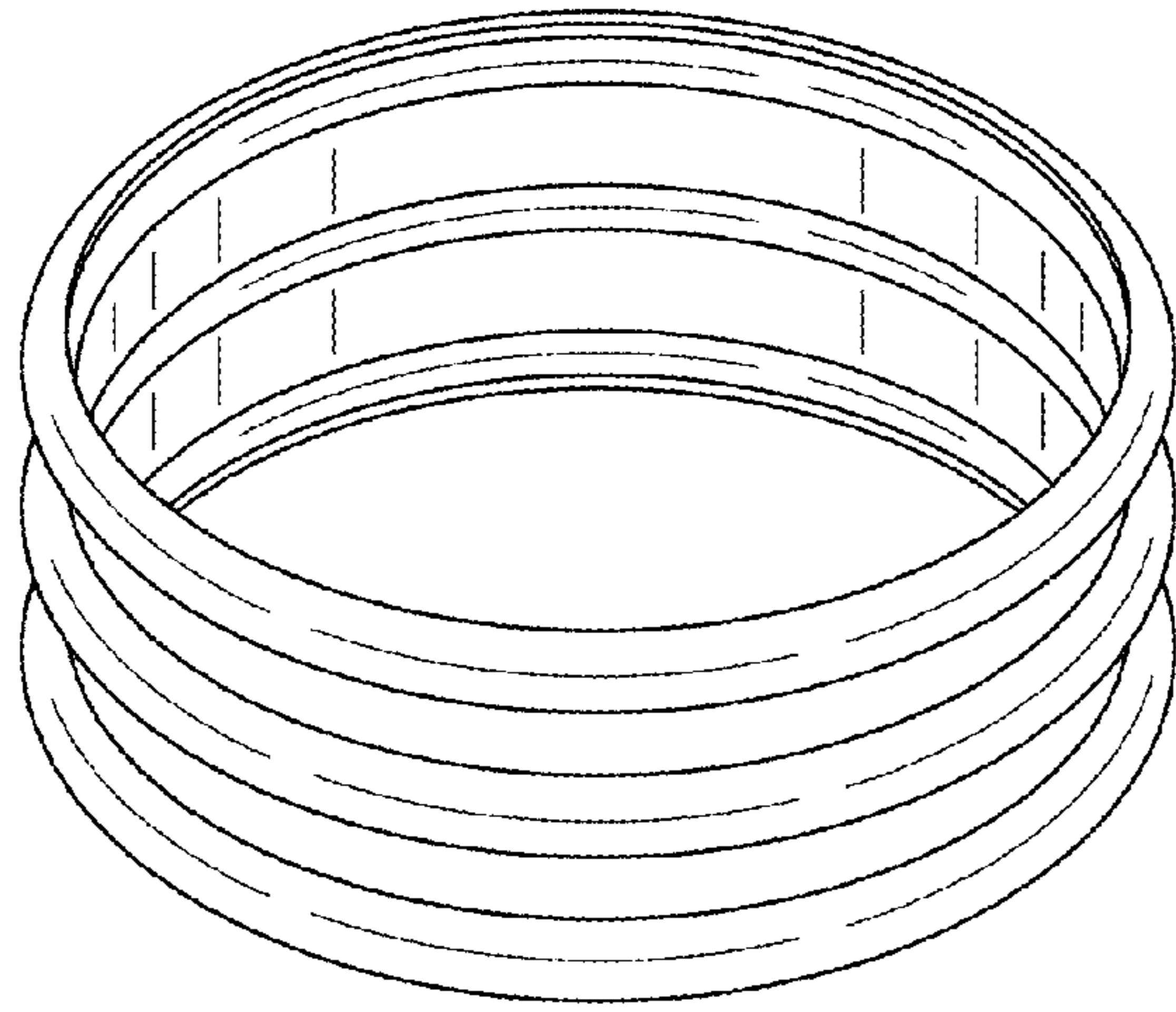


FIG. 1

FIG. 2

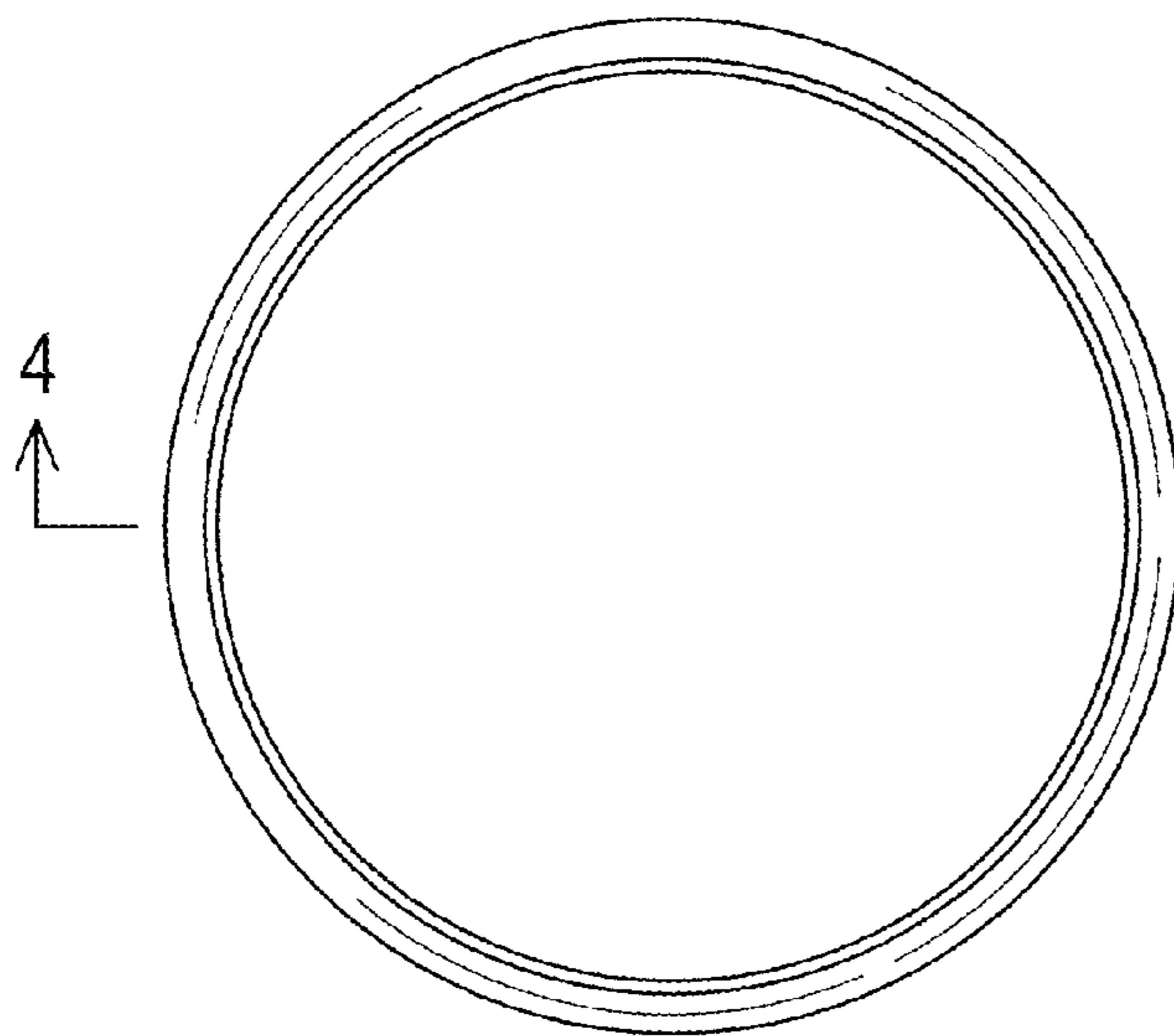
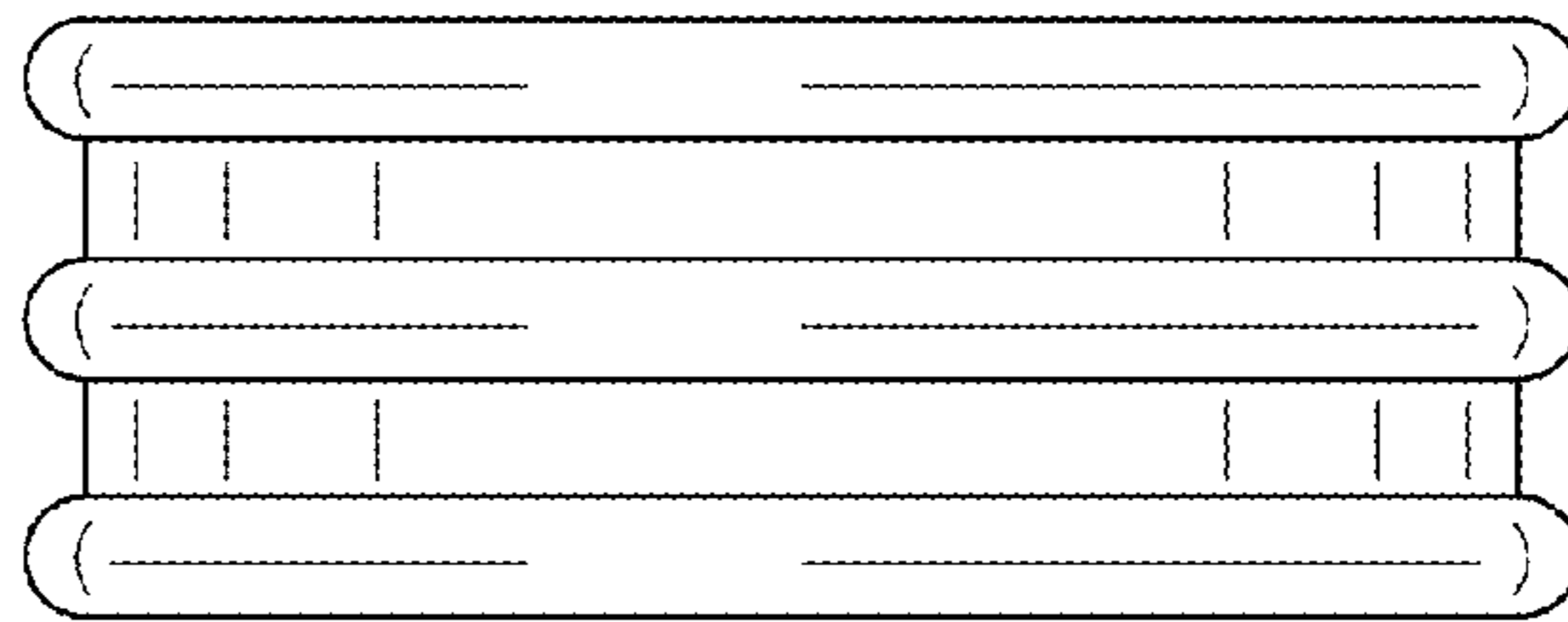


FIG. 3

FIG. 4

