



US00D812299S

(12) **United States Design Patent** (10) **Patent No.:** **US D812,299 S**
Suh et al. (45) **Date of Patent:** **** Mar. 6, 2018**

(54) **BEARD PIK**
(71) Applicant: **Annie International, Inc.**, North Wales, PA (US)
(72) Inventors: **John J. Suh**, Lansdale, PA (US); **Hua Bai**, Exton, PA (US); **Tony Berardinucci**, North Wales, PA (US); **Geo Kang**, Indian Trail, NC (US)
(73) Assignee: **Annie International, Inc.**, North Wales, PA (US)

D132,367 S 5/1942 Imamura
D142,711 S 10/1945 Foster
D169,792 S 12/1952 Sklavenitis
3,568,688 A 3/1971 Dobuski
D347,492 S * 5/1994 Kruschke D28/21
D434,183 S * 11/2000 Fraenkel D28/22
D452,982 S * 1/2002 Offer D28/29
D483,522 S * 12/2003 Leslie D28/33
D532,551 S * 11/2006 Kuglen D28/41
D597,252 S * 7/2009 Pretorius D28/32
D644,376 S * 8/2011 Morrill D28/21
D669,632 S * 10/2012 Baird D28/39
8,627,830 B1 * 1/2014 Becker A45D 24/10
132/148

(Continued)

(**) Term: **15 Years**

(21) Appl. No.: **29/588,882**
(22) Filed: **Dec. 23, 2016**
(51) **LOC (11) Cl.** **28-03**
(52) **U.S. Cl.**
USPC **D28/29**
(58) **Field of Classification Search**
USPC D28/29, 10, 21, 22, 25, 27, 30, 31;
D30/159; 132/219, 146, 149, 159
CPC A45D 24/02; A45D 24/12; A45D 24/34;
A45D 24/00
See application file for complete search history.

FOREIGN PATENT DOCUMENTS

DE 375558 1/1921
Primary Examiner — Susan Bennett Hattan
Assistant Examiner — Rebecca Tsehaye
(74) *Attorney, Agent, or Firm* — Michael Crilly, Esquire

(57) **CLAIM**

The ornamental design for a beard pik, as shown and described.

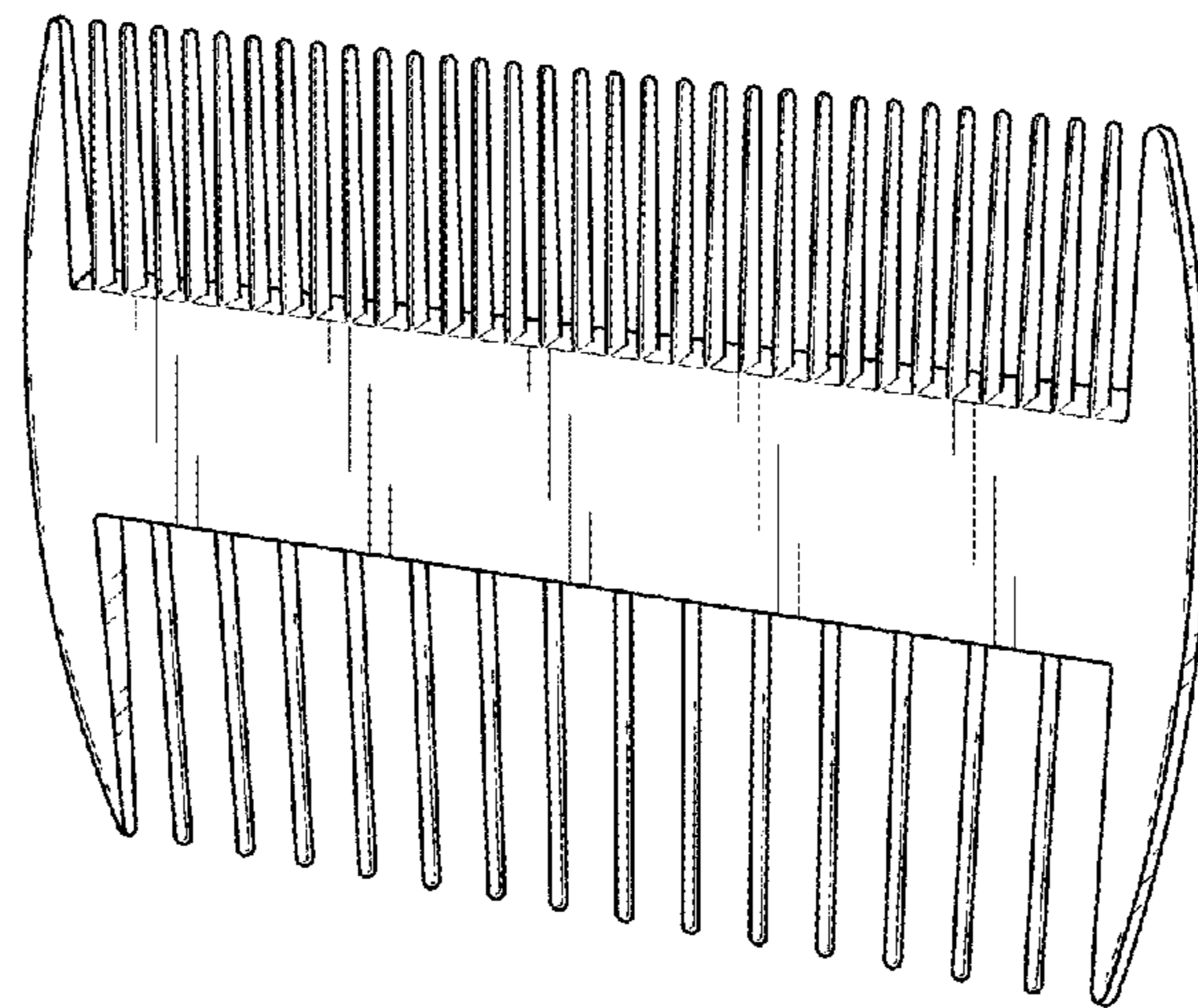
DESCRIPTION

FIG. 1 is perspective view of a beard pik showing the new design;
FIG. 2 is a front side elevational view of the beard pik, the back side elevational view is identical to the front side elevational view;
FIG. 3 is a left side elevational view of the beard pik, the right side elevational view is identical to the left side elevational view;
FIG. 4 is a top plan view of the beard pik;
FIG. 5 is a bottom plan view of the beard pik; and,
FIG. 6 is a cross-sectional view taken along line 6-6 of FIG. 2.

1 Claim, 2 Drawing Sheets

(56) **References Cited**
U.S. PATENT DOCUMENTS

661 A 3/1838 Ives
6,492 A 6/1849 Bush et al.
69,755 A 10/1867 Briggs
RE2,822 E 12/1867 Briggs
80,833 A 8/1868 Picot
123,177 A 1/1872 Johnson
339,380 A 4/1886 Cochen
D22,153 S 1/1893 Witteck
33,574 A 11/1900 Grell
33,612 A 11/1900 Grell
1,425,937 A 8/1922 Biderman
1,886,357 A 6/1932 Rugaber



(56)

References Cited

U.S. PATENT DOCUMENTS

D703,867 S * 4/2014 Srivastava D28/29
D715,488 S * 10/2014 Kuglen A45D 8/12
D28/41
D718,899 S * 12/2014 Burkman A45D 24/00
D28/21
D770,093 S * 10/2016 Smith D28/21
D782,111 S * 3/2017 Litwinski D28/21
D796,740 S * 9/2017 Burton D28/21

* cited by examiner

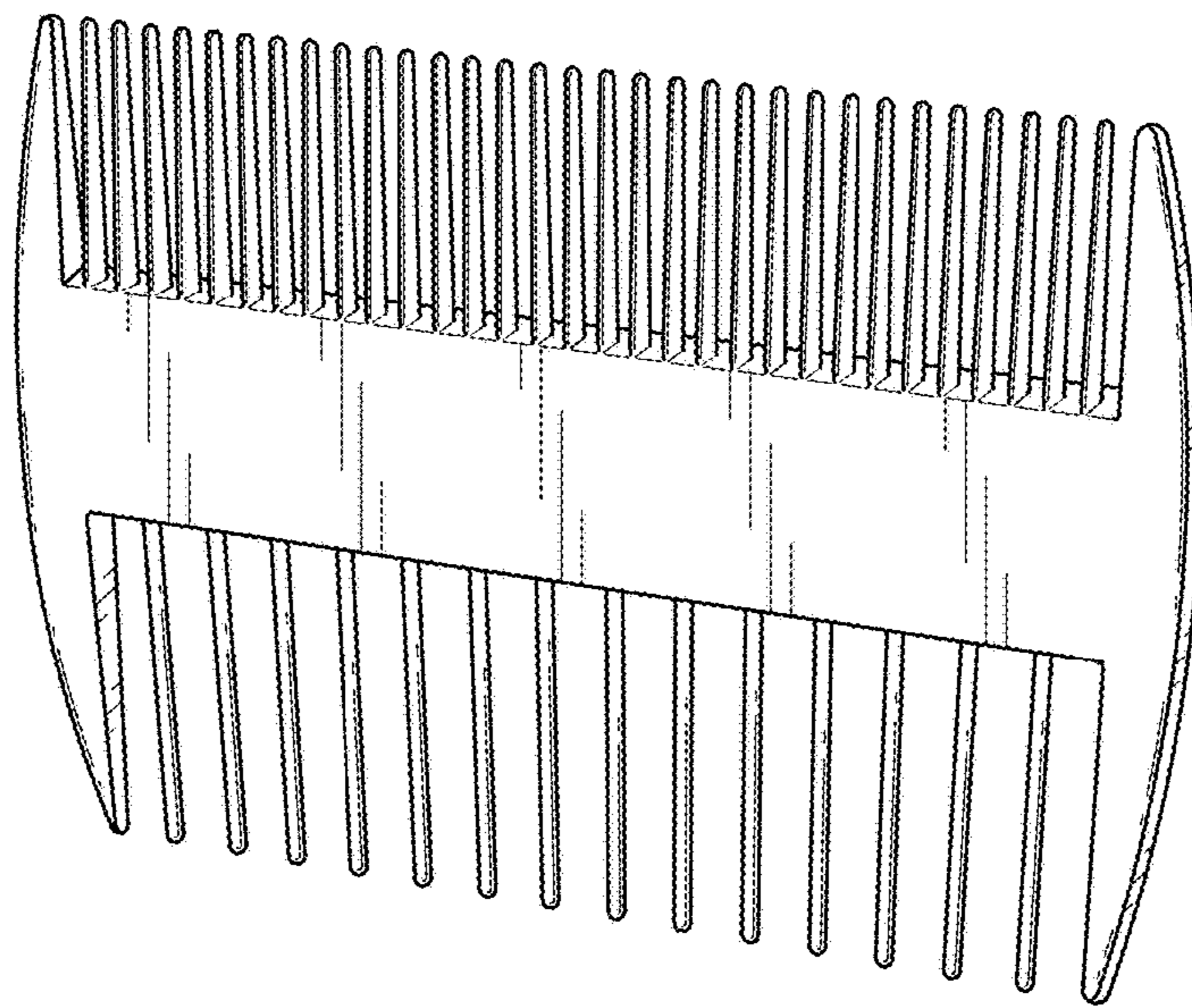


Fig. 1



Fig. 4

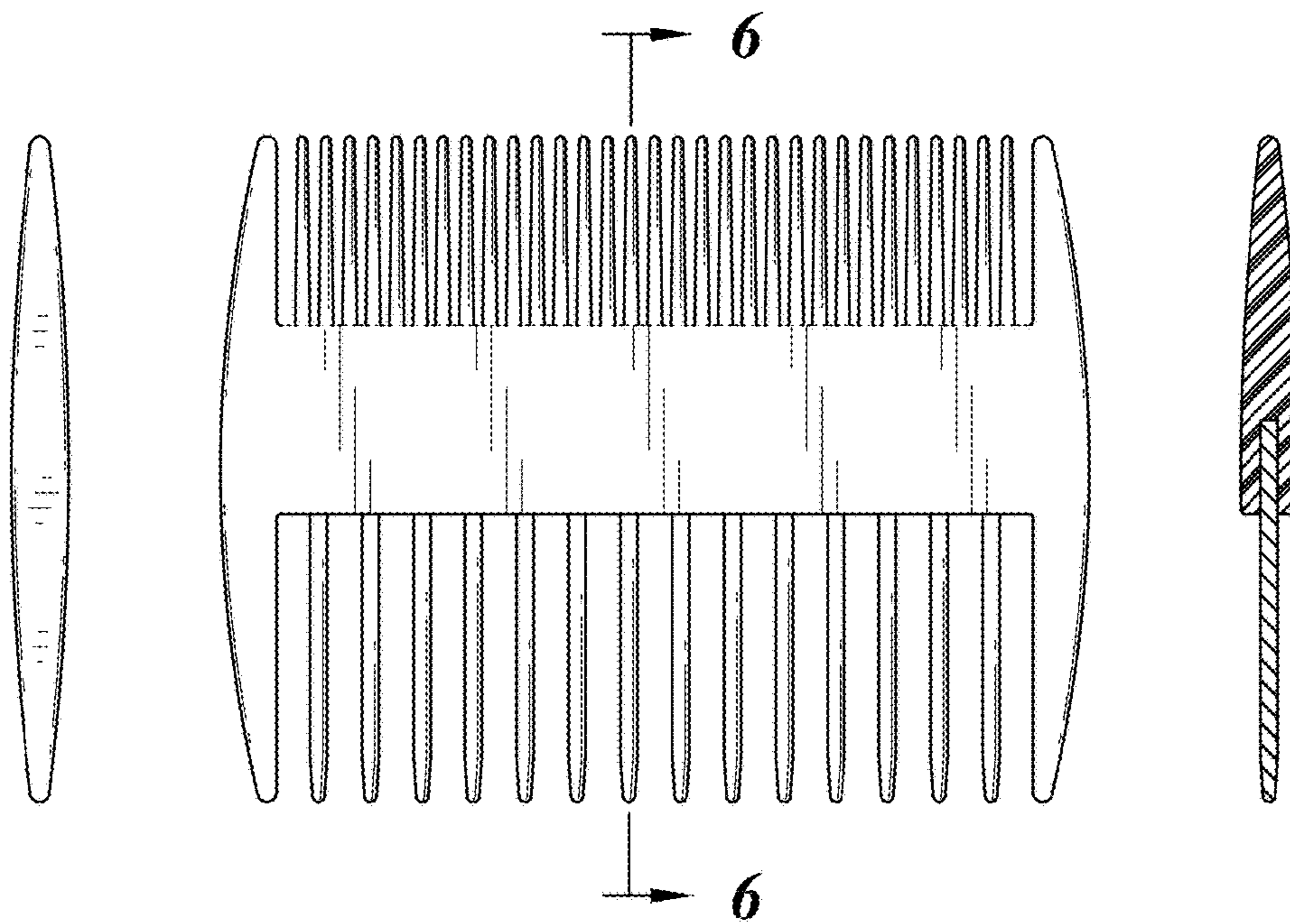


Fig. 2

Fig. 3

Fig. 6



Fig. 5