



US00D812297S

(12) **United States Design Patent** (10) **Patent No.:** **US D812,297 S**
Johnson et al. (45) **Date of Patent:** **** Mar. 6, 2018**

- (54) **THREE CHAMBER POD**
- (71) Applicant: **Church & Dwight Co., Inc.**, Princeton, NJ (US)
- (72) Inventors: **Thomas Johnson**, Highstown, NJ (US);
Carl Henry, Newtown, PA (US);
Jonathan Wharton, Ewing, NJ (US)
- (73) Assignee: **Church & Dwight Co., Inc.**, Princeton, NJ (US)
- (**) Term: **15 Years**
- (21) Appl. No.: **29/604,620**
- (22) Filed: **May 18, 2017**

D744,162 S 11/2015 Sunder
D748,330 S 1/2016 Gerhards
D759,891 S 6/2016 Sarb
D774,249 S 12/2016 McLenithan
D774,250 S 12/2016 McLenithan
D797,991 S * 9/2017 Johnson D28/8.1

FOREIGN PATENT DOCUMENTS

CN 303798383 8/2016
EM 001386866-0001 10/2013
WO WO-2014170882 A1 * 10/2014 B65D 65/46

* cited by examiner

Primary Examiner — Jennifer Rivard

(74) Attorney, Agent, or Firm — Church & Dwight Co., Inc.

Related U.S. Application Data

- (62) Division of application No. 29/562,109, filed on May 18, 2016, now Pat. No. Des. 797,991.
- (51) **LOC (11) Cl.** **28-02**
- (52) **U.S. Cl.**
USPC **D28/8.1; D9/426**
- (58) **Field of Classification Search**
USPC D9/424–426, 428, 430–432, 702, 707, D9/710, 737, 759
CPC C11D 17/04; C11D 17/041–17/042; C11D 17/043–17/047; C11D 17/0047–17/0091; C11D 17/0095; C11D 17/00–17/0021
See application file for complete search history.

References Cited

U.S. PATENT DOCUMENTS

D695,451 S 12/2013 Gerhards
D714,161 S 9/2014 Crawford
D728,157 S 4/2015 Sarb
D735,407 S 7/2015 Gerhards

(57) **CLAIM**

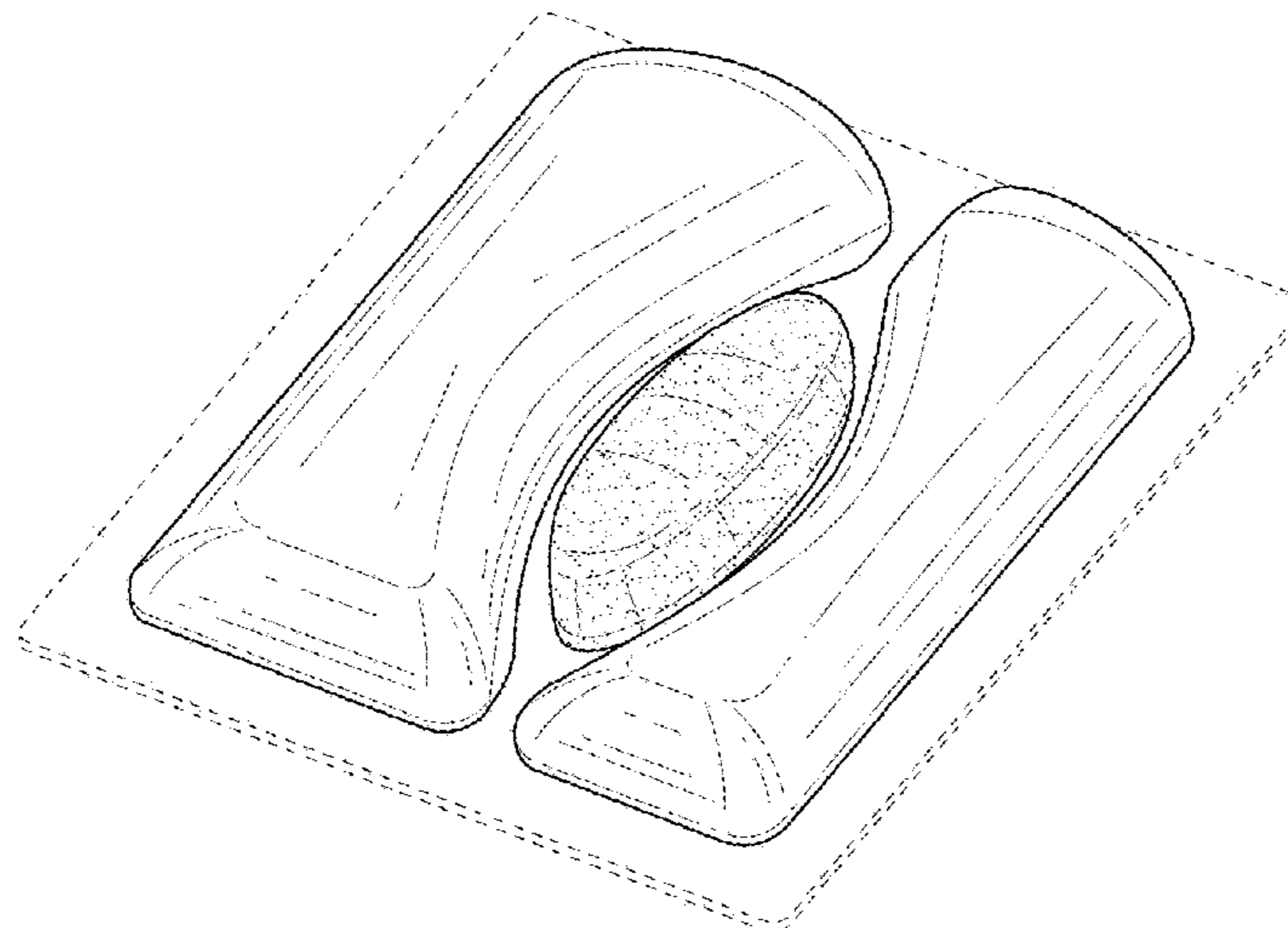
The ornamental design for a three chamber pod, as shown and described.

DESCRIPTION

FIG. 1 is a top, front, right perspective view of a three chamber pod showing the new design;
FIG. 2 is a top, front, left perspective view thereof;
FIG. 3 is a top, rear, right perspective view thereof;
FIG. 4 is a top, rear, left perspective view thereof;
FIG. 5 is a top plan view thereof;
FIG. 6 is a front end elevational view thereof;
FIG. 7 is a left side elevational view thereof;
FIG. 8 is a rear end elevational view thereof;
FIG. 9 is a right side elevational view thereof; and,
FIG. 10 is a bottom plan view thereof.

The broken lines shown herein depict environmental subject matter only, and form no part of the claimed design.

1 Claim, 5 Drawing Sheets



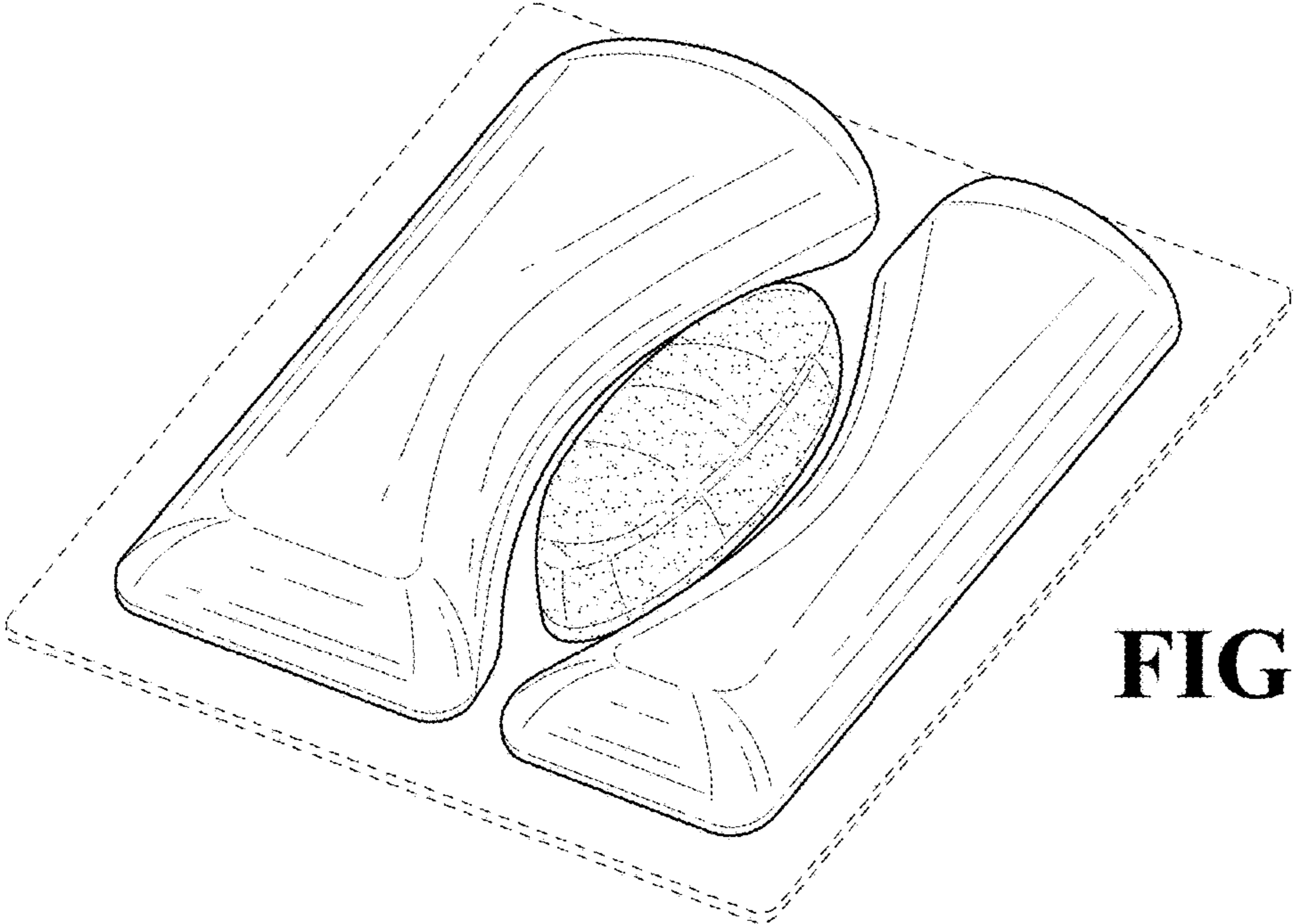


FIG. 1

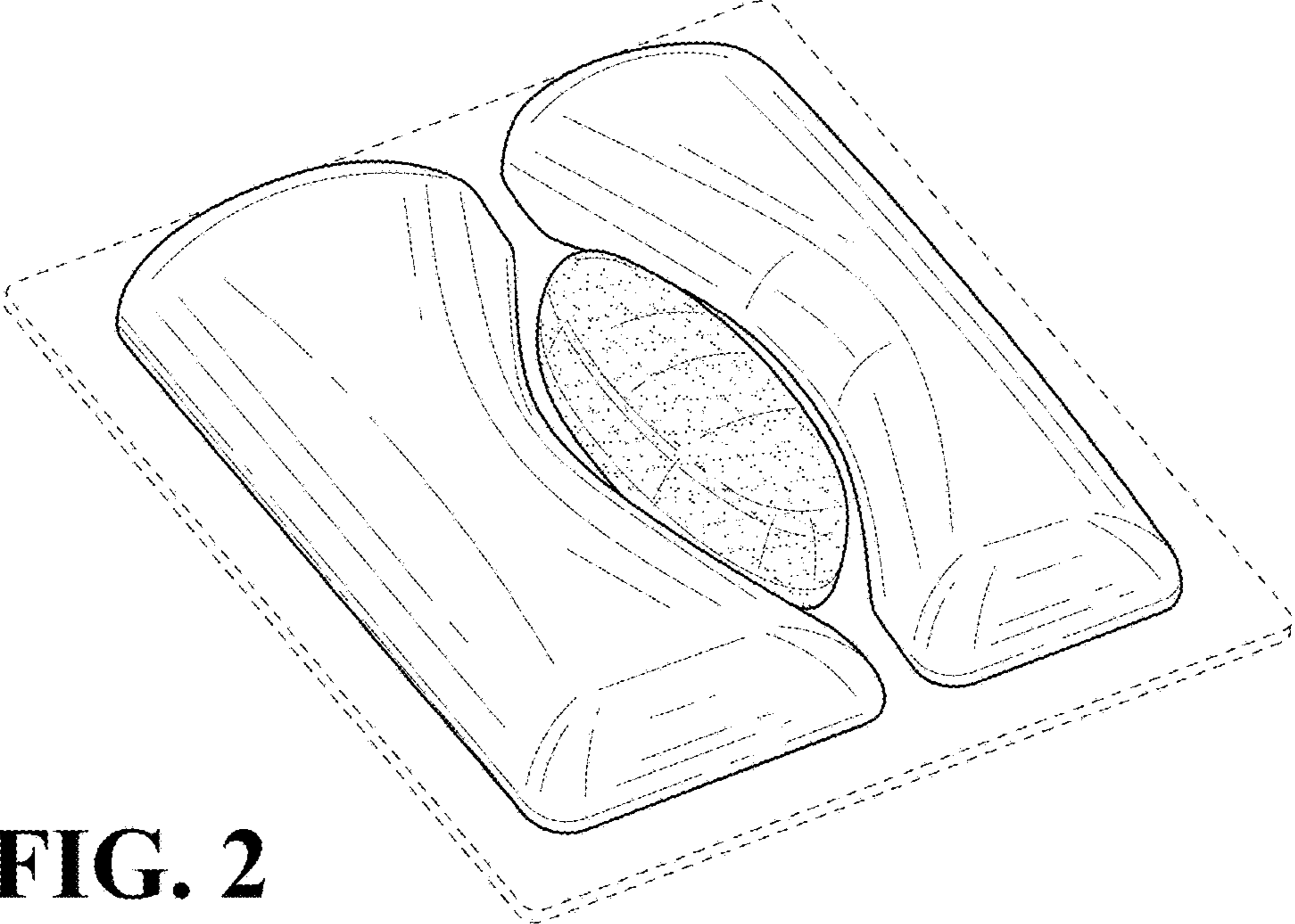


FIG. 2

FIG. 3

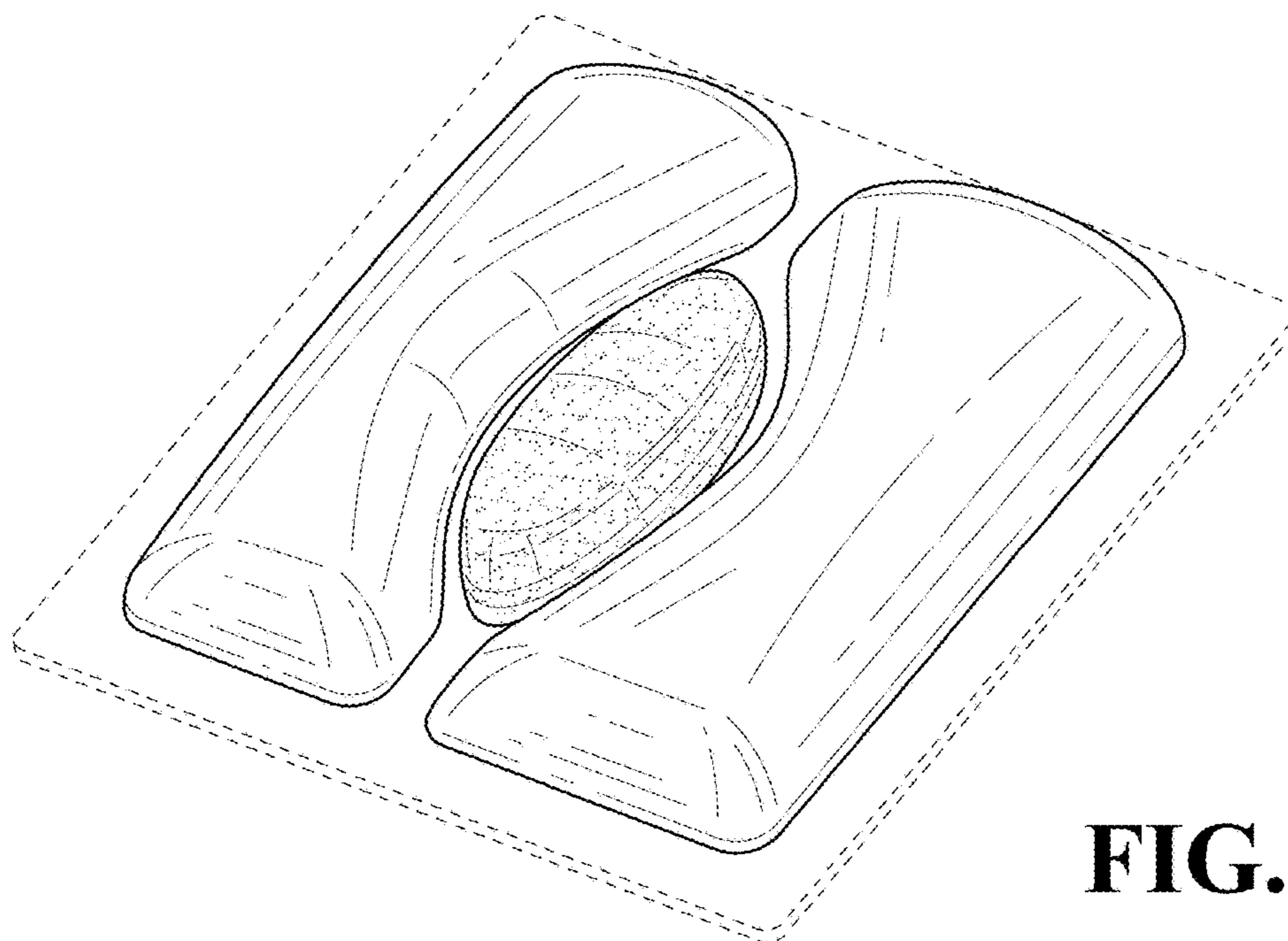
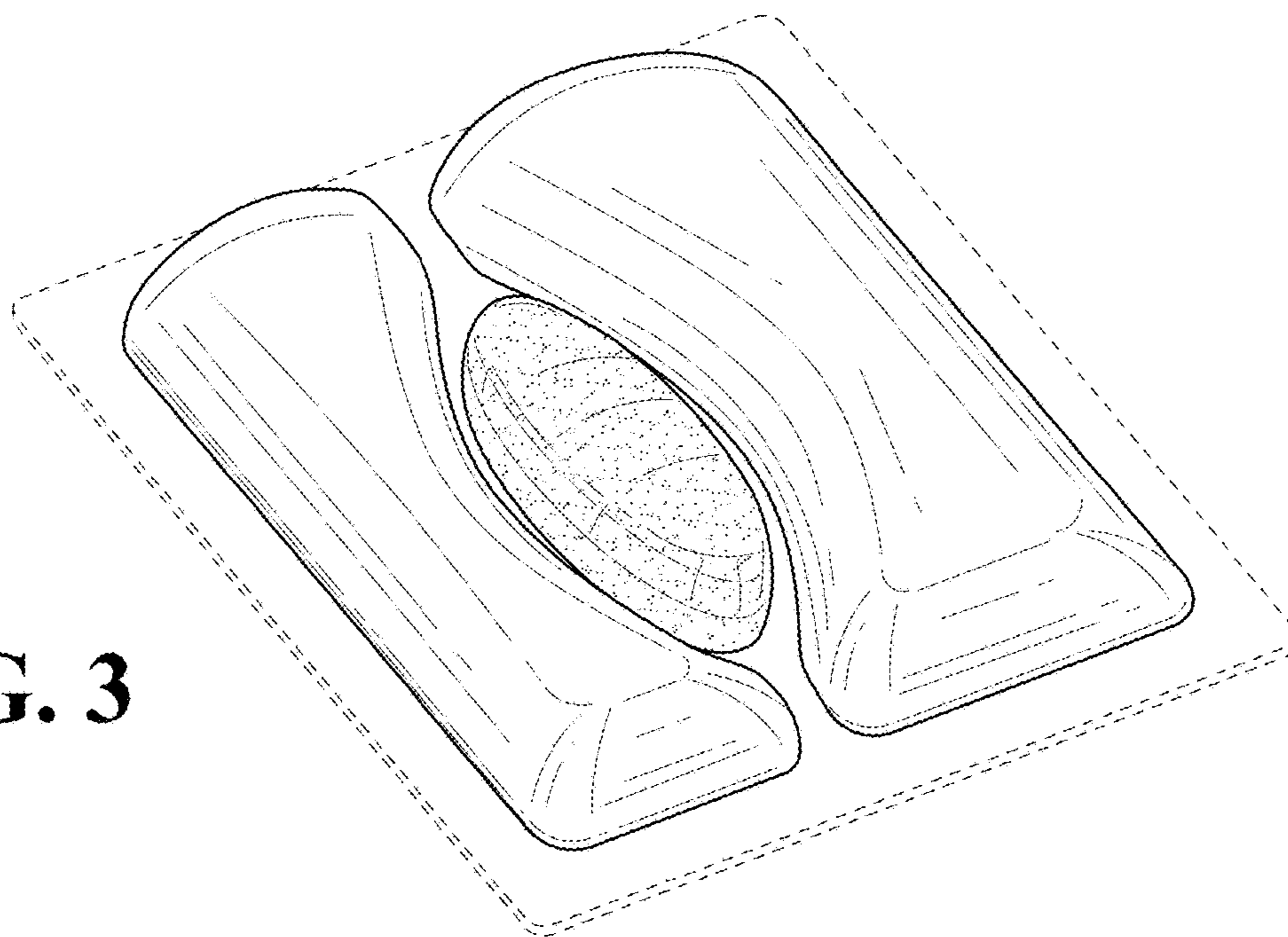


FIG. 4

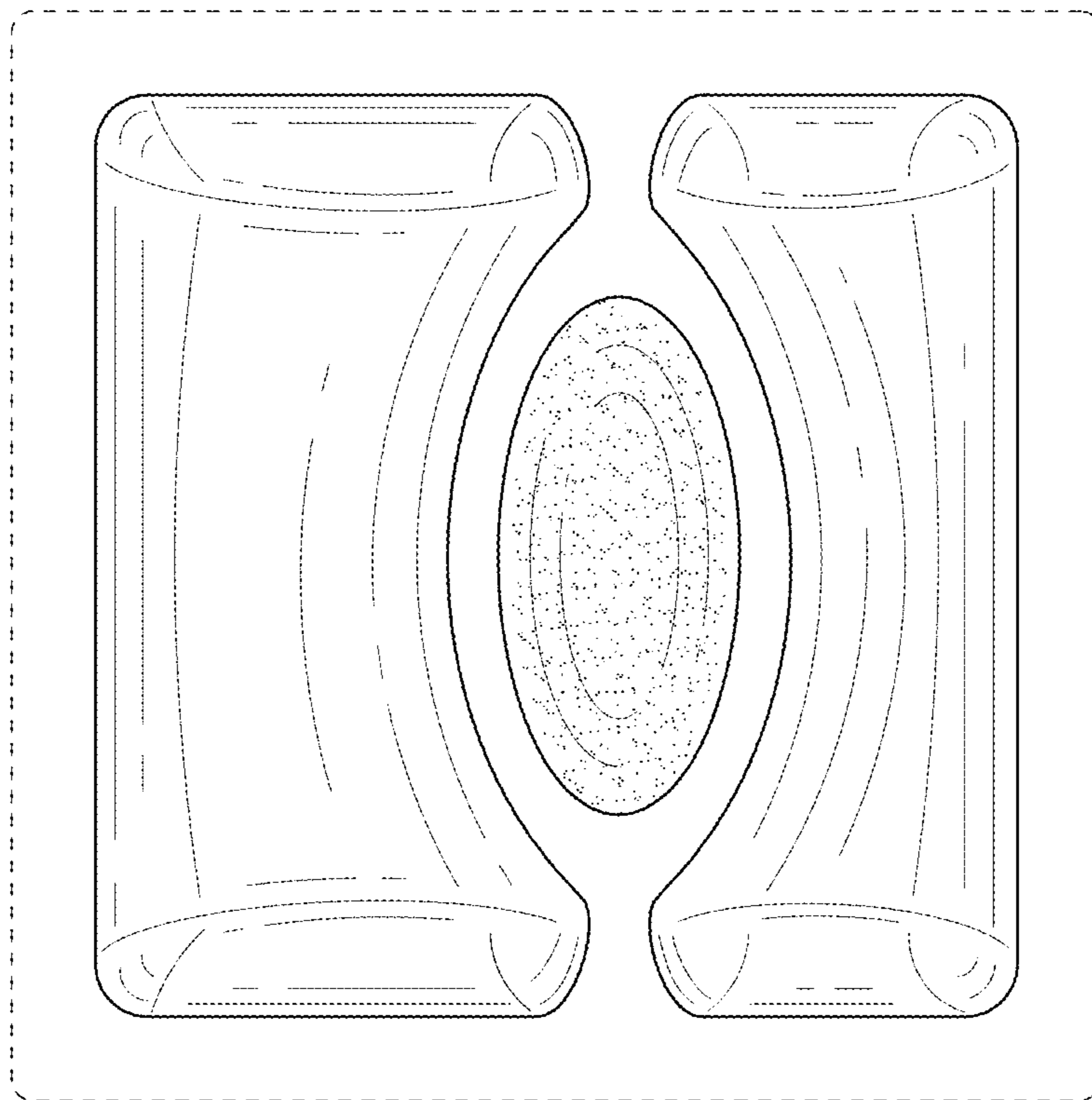


FIG. 5

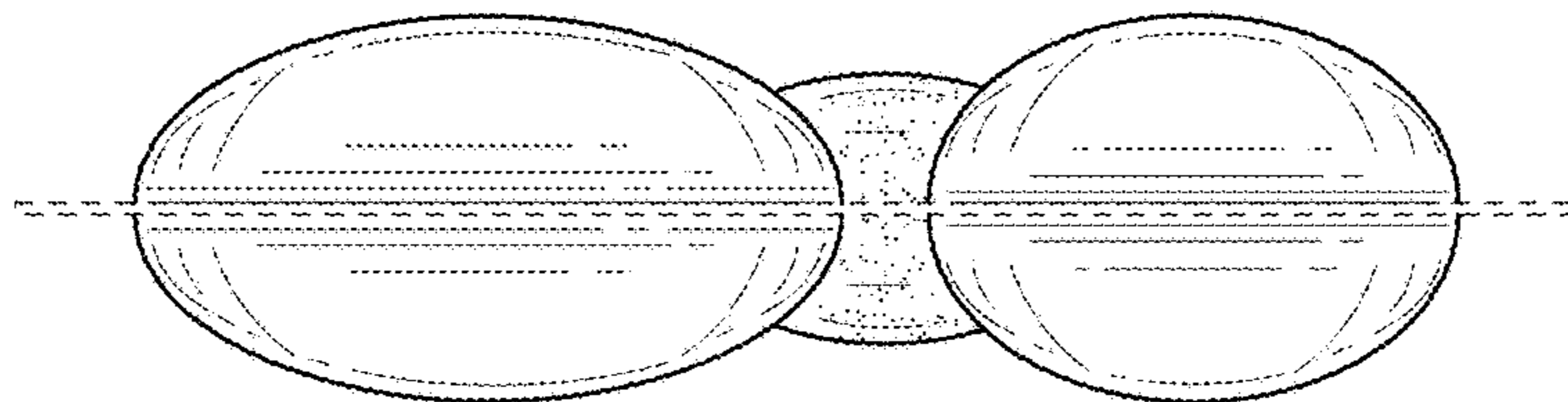


FIG. 6

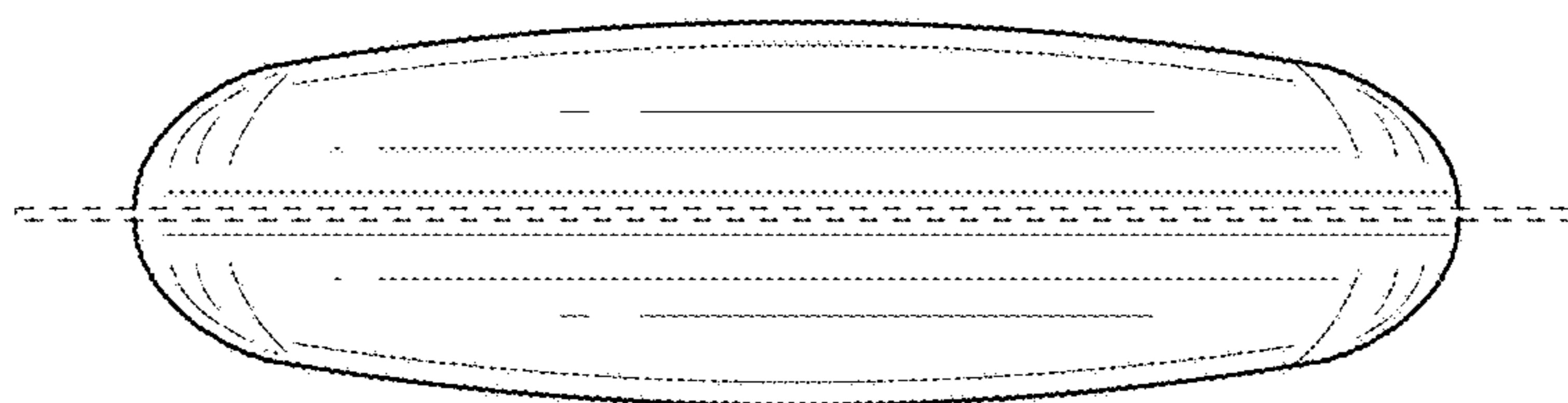


FIG. 7

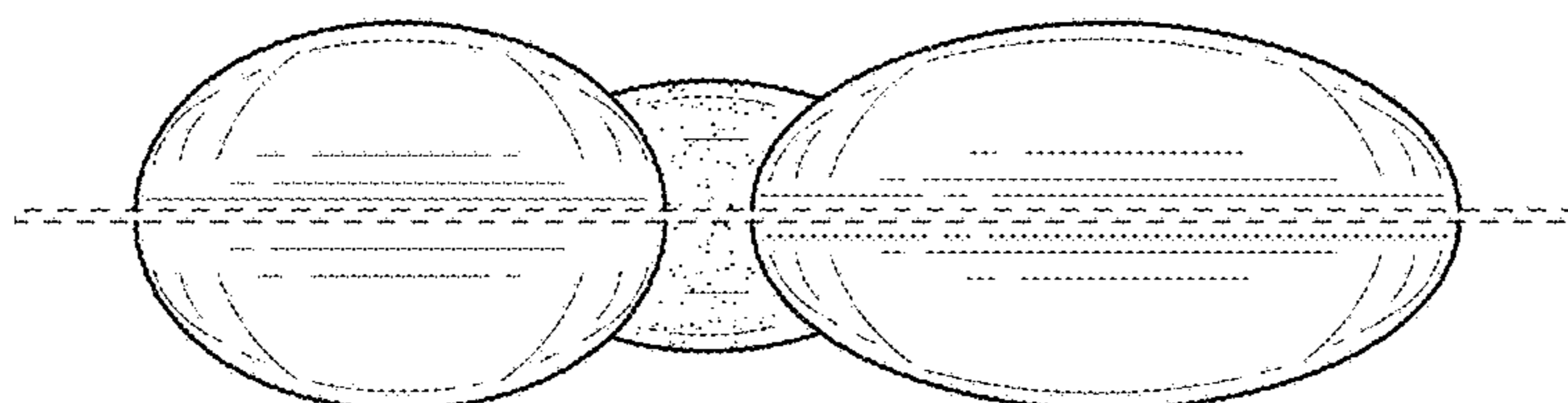


FIG. 8

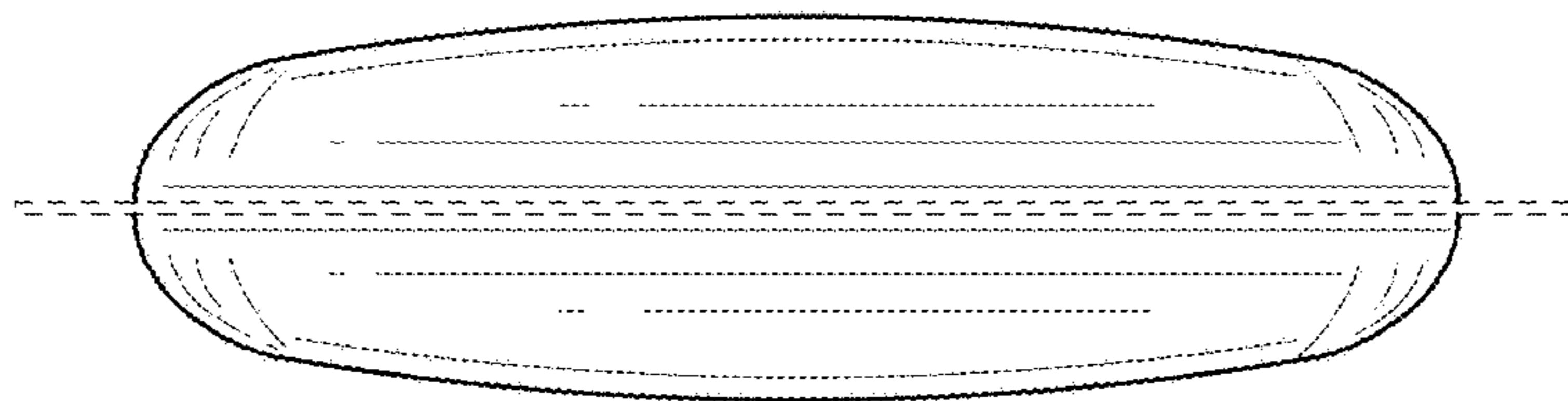


FIG. 9

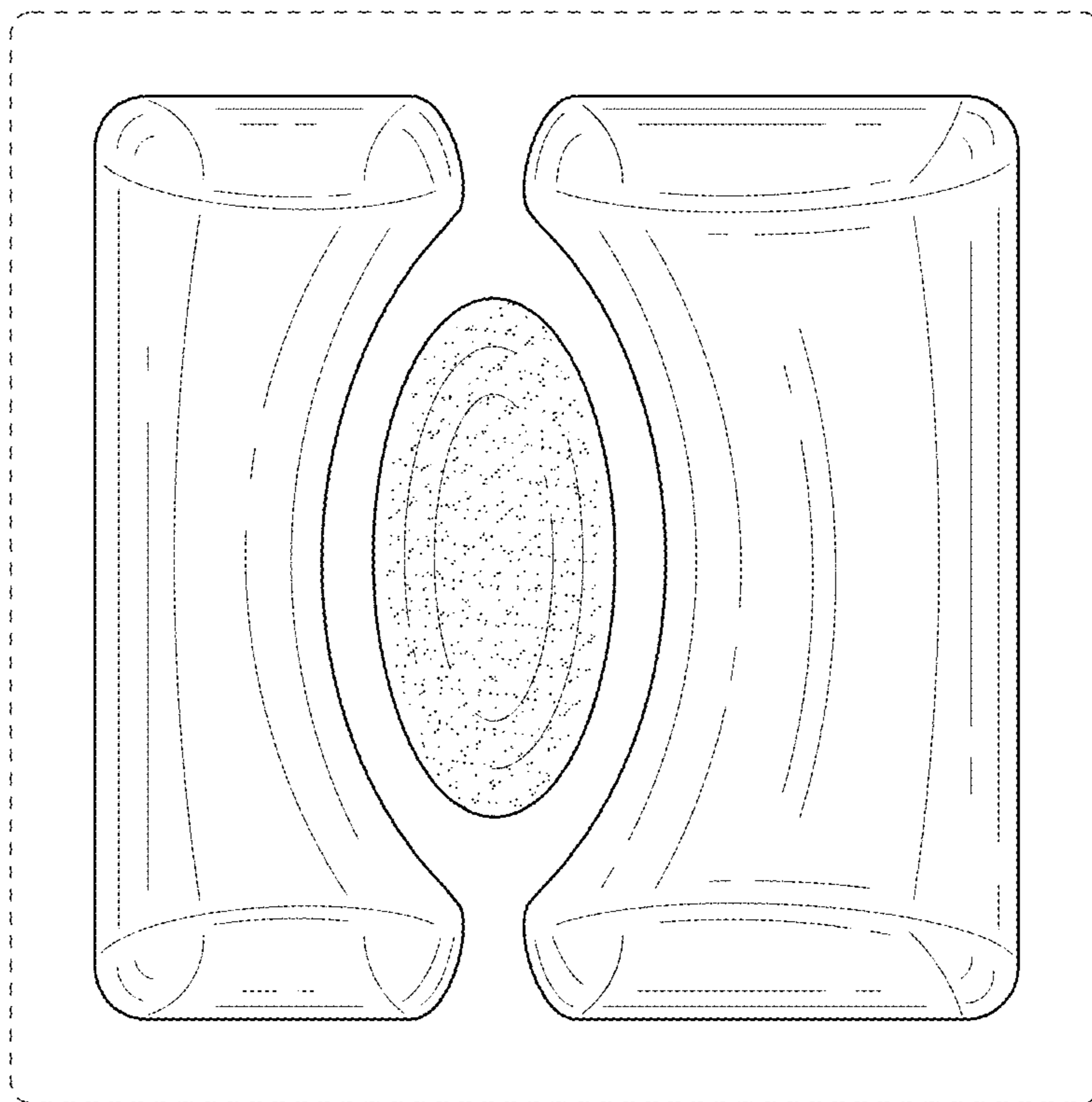


FIG. 10