



US00D812296S

(12) **United States Design Patent**
Lorenz et al.

(10) **Patent No.:** **US D812,296 S**

(45) **Date of Patent:** **** Mar. 6, 2018**

(54) **EYELINER APPLICATOR**

(71) Applicants: **Veronica B. Lorenz**, Los Angeles, CA
(US); **John von Buelow**, Oak Park, CA
(US)

(72) Inventors: **Veronica B. Lorenz**, Los Angeles, CA
(US); **John von Buelow**, Oak Park, CA
(US)

(73) Assignee: **Veronica B. Lorenz**, Los Angeles, CA
(US)

(**) Term: **15 Years**

(21) Appl. No.: **29/585,063**

(22) Filed: **Nov. 19, 2016**

(51) **LOC (11) Cl.** **28-02**

(52) **U.S. Cl.**
USPC **D28/7**

(58) **Field of Classification Search**
USPC D28/7, 8, 20–22, 30, 31, 76, 85, 99;
D4/132–135; D24/119, 132; 132/108,
132/202, 208, 317, 320
CPC A45D 34/04; A45D 34/041; A45D 34/042;
A46B 5/0008; A46B 5/002; A46B
5/0054; A46B 5/0075; A46B 5/0079;
A41G 3/0041; A41G 3/0083

See application file for complete search history.

(56) **References Cited**

U.S. PATENT DOCUMENTS

D554,291 S	*	10/2007	Darnell	D19/163
D659,907 S	*	5/2012	Lin	D28/76
D663,483 S	*	7/2012	Lee	D28/76
D673,325 S	*	12/2012	Martines	D28/4
D683,071 S	*	5/2013	Lorenz	D28/7
D701,016 S	*	3/2014	Rupp	D1/101
D707,393 S	*	6/2014	Lorenz	D28/7
D717,995 S	*	11/2014	Thompson	A45D 34/04 D28/7

* cited by examiner

Primary Examiner — Susan Bennett Hattan

Assistant Examiner — Rebecca Tsehaye

(74) *Attorney, Agent, or Firm* — Frederick Gotha

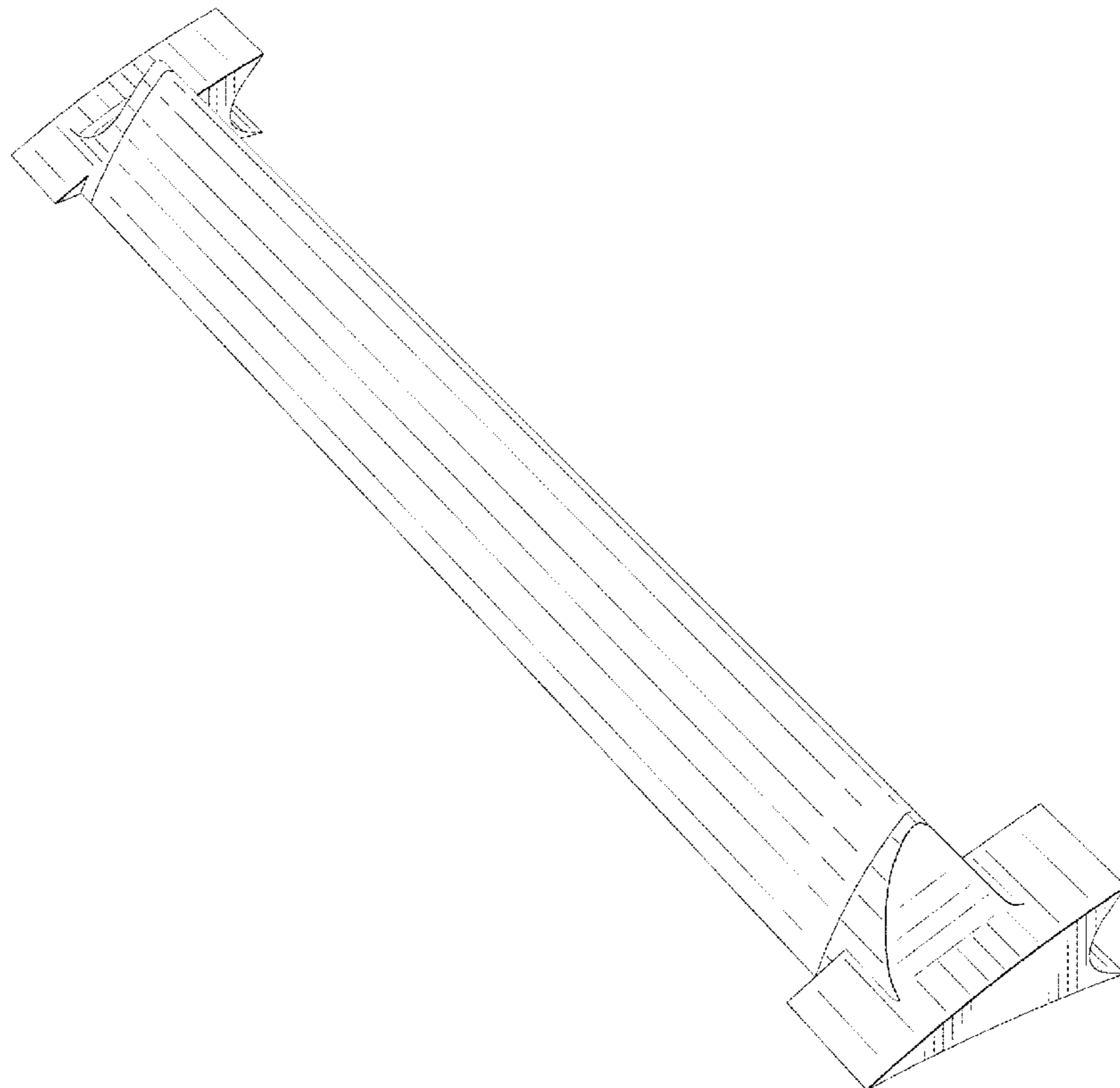
(57) **CLAIM**

The ornamental design for an eyeliner applicator, as shown and described.

DESCRIPTION

FIG. 1 is a Perspective view of our new design;
FIG. 2 is a top view of FIG. 1;
FIG. 3 is a front view of our design shown in FIG. 1;
FIG. 4 is a bottom view of FIG. 1;
FIG. 5 is a rear view of FIG. 1;
FIG. 6 is a right side elevational view of FIG. 1; and,
FIG. 7 is a left side elevational view of FIG. 1.

1 Claim, 3 Drawing Sheets



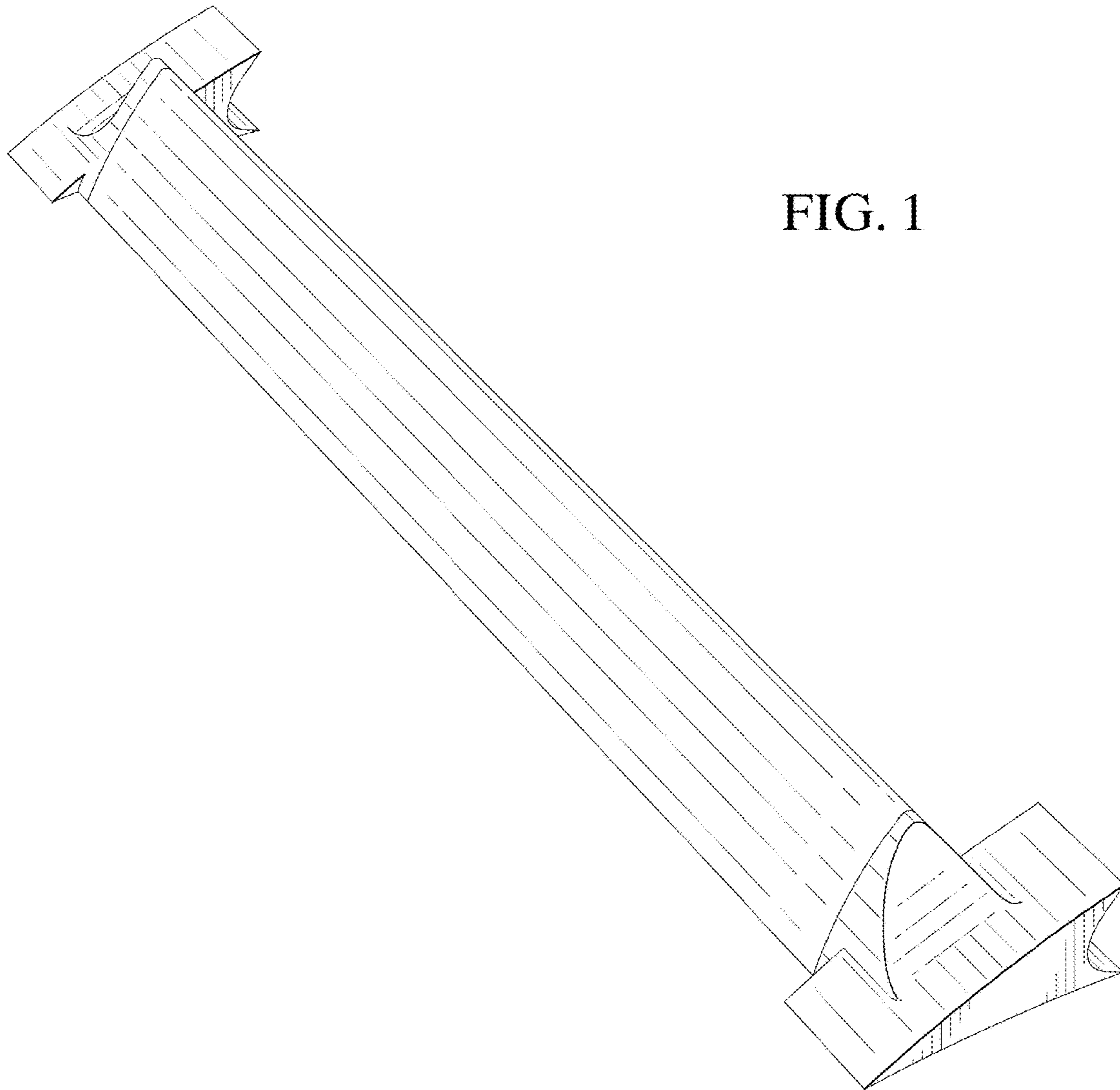


FIG. 1

FIG. 6

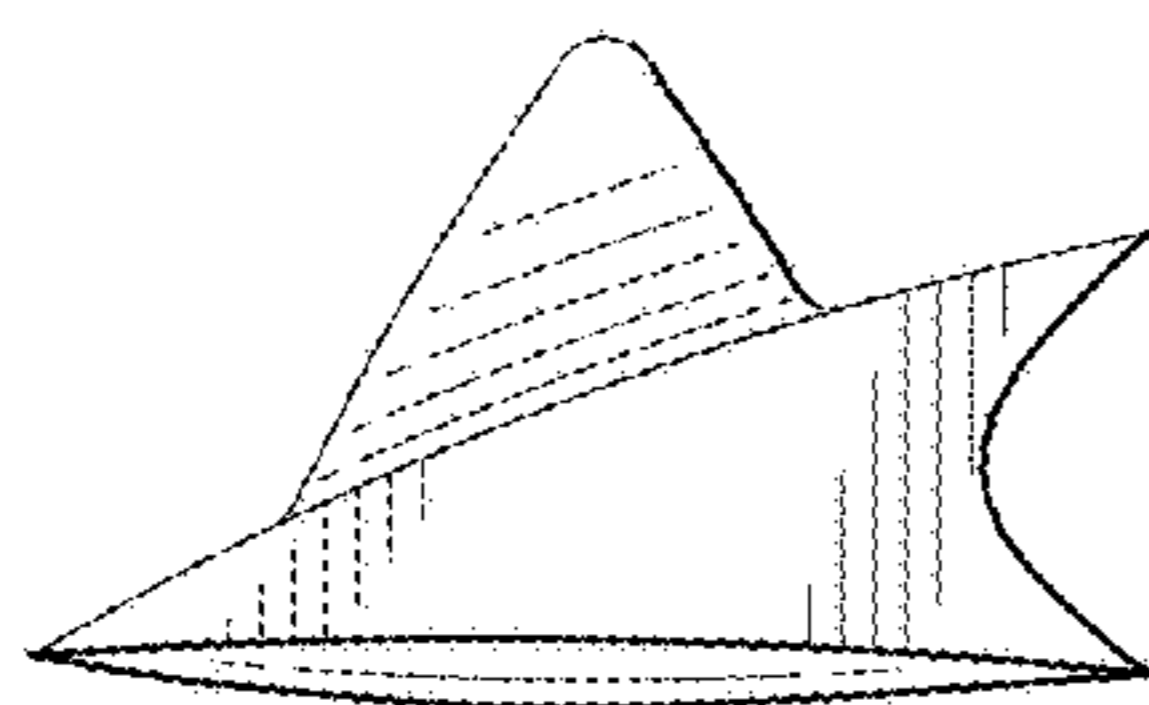


FIG. 7

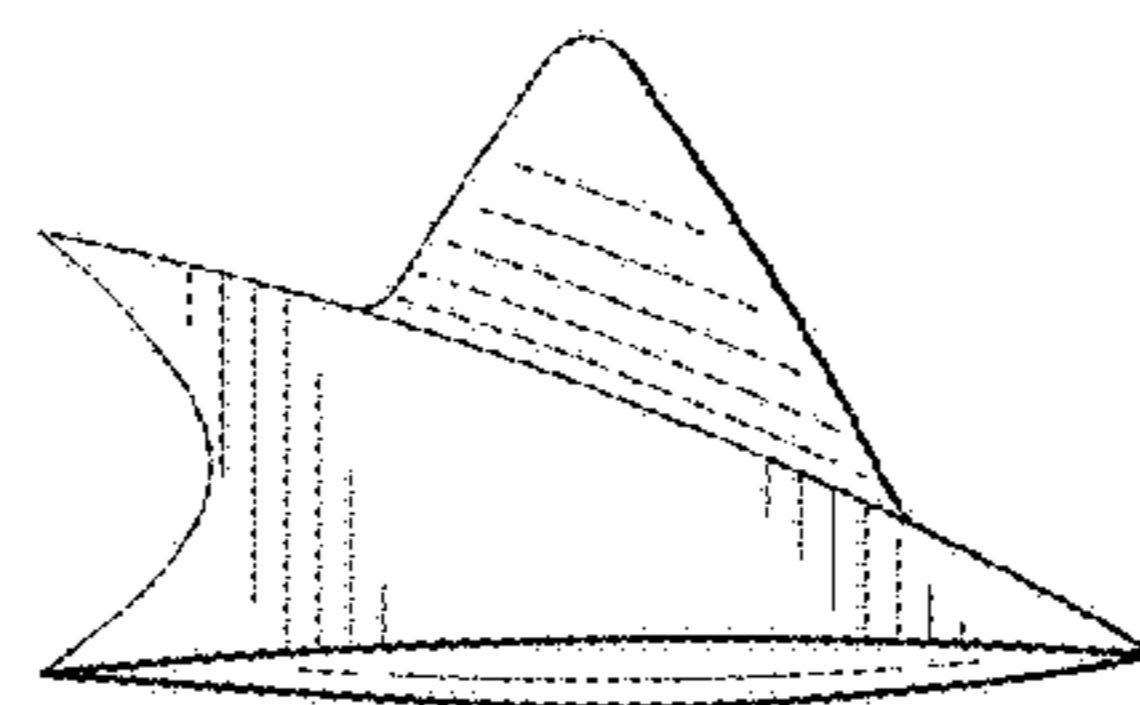


FIG. 2

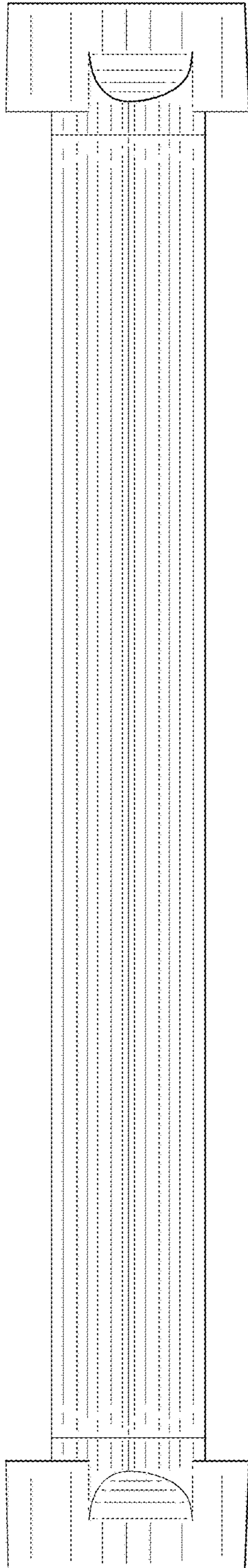


FIG. 3

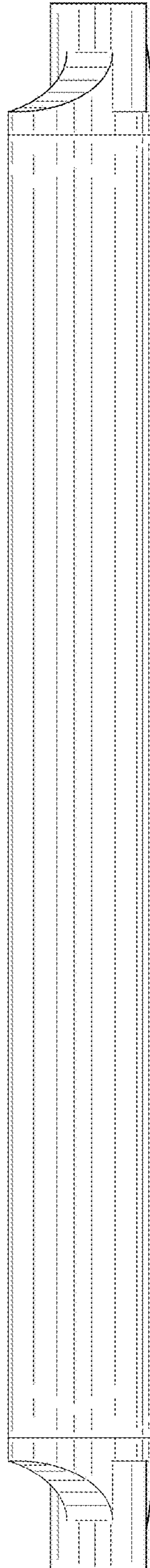


FIG. 4

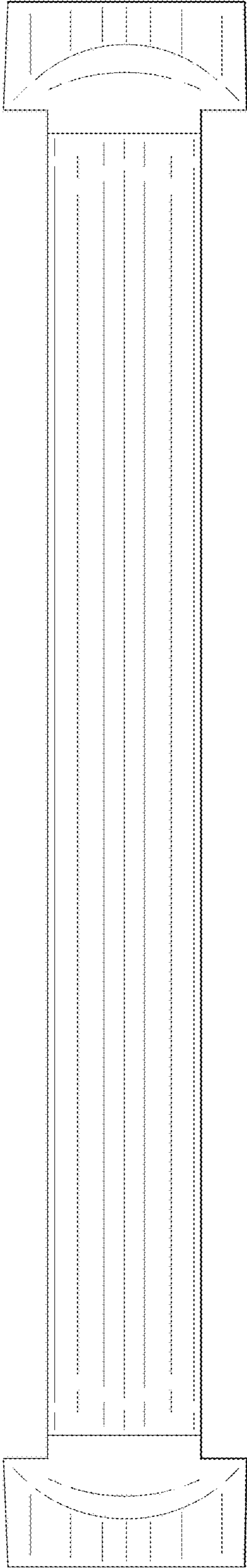


FIG. 5

